



US00D682000S

(12) **United States Design Patent**  
**Nguyen et al.**

(10) **Patent No.:** **US D682,000 S**

(45) **Date of Patent:** **\*\* May 14, 2013**

(54) **COMBINED HAMMOCK STAND AND HAND CART**

(76) Inventors: **Dao Trieu Nguyen**, Ho Chi Minh (VN);  
**Dao Trieu Trung**, Ho Chi Minh (VN);  
**Dao Trieu Ky**, Ho Chi Minh (VN)

(\*\*) Term: **14 Years**

(21) Appl. No.: **29/396,385**

(22) Filed: **Jun. 29, 2011**

(30) **Foreign Application Priority Data**

Dec. 31, 2010 (VN) ..... 3-2010-01723

(51) **LOC (9) Cl.** ..... **06-06**

(52) **U.S. Cl.**  
USPC ..... **D6/718.11**

(58) **Field of Classification Search** ..... D6/382-384,  
D6/386, 387; 5/120, 123, 127-130; D34/12,  
D34/14, 23, 24, 26, 27

See application file for complete search history.

(56) **References Cited**

**U.S. PATENT DOCUMENTS**

D97,300 S *	10/1935	Moeller	.....	D6/387
3,593,352 A *	7/1971	Britt	.....	5/127
D295,242 S *	4/1988	Frick et al.	.....	D6/387
4,925,138 A *	5/1990	Rawlins	.....	248/165
D565,824 S *	4/2008	Mueller	.....	D34/12
D635,731 S *	4/2011	Schloemer	.....	D34/12
7,996,935 B1 *	8/2011	Chen	.....	5/127

\* cited by examiner

*Primary Examiner* — Janice Seeger

(74) *Attorney, Agent, or Firm* — McClure Law Firm, PLLC

(57) **CLAIM**

The ornamental design for a combined hammock stand and hand cart, substantially as shown and described.

**DESCRIPTION**

FIG. 1 is a perspective view of a combined hammock stand and hand cart, showing our new design.

FIG. 2 is a perspective view in extended condition.

FIG. 3 is perspective view converted to a hand cart.

FIG. 4 is a front perspective view of the hammock stand.

FIG. 5 is a left perspective view thereof.

FIG. 6 is a top perspective view thereof.

FIG. 7 is a bottom perspective view thereof.

FIG. 8 is a perspective view in partially folded condition.

FIG. 9 is enlarged fragmentary perspective view showing the top end of the hammock stand.

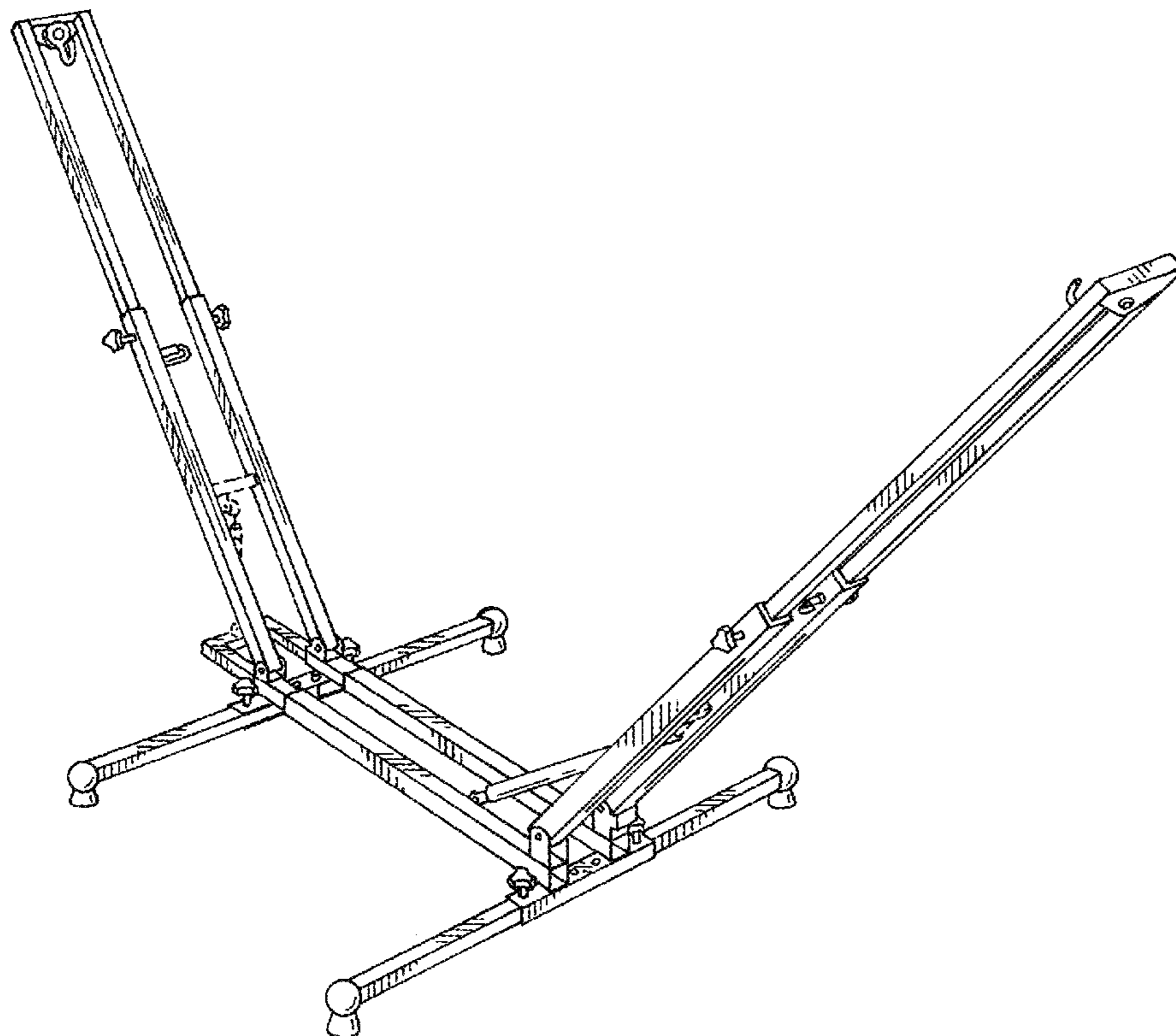
FIG. 10 is an enlarged fragmentary perspective view showing the bottom center thereof; and,

FIG. 11 is a front perspective view converted to a hand cart.

The broken line showings of a turnbuckle in FIGS. 1-8 and 11; a cross bar in FIGS. 1-8 and 11; and a u-bolt in FIGS. 2-7 and 11 are for the purposes of illustrating environmental structure and form no part of the claimed design.

The combined hammock stand and hand cart is a structural support for a hammock and a handcart for moving of the hammock.

**1 Claim, 9 Drawing Sheets**



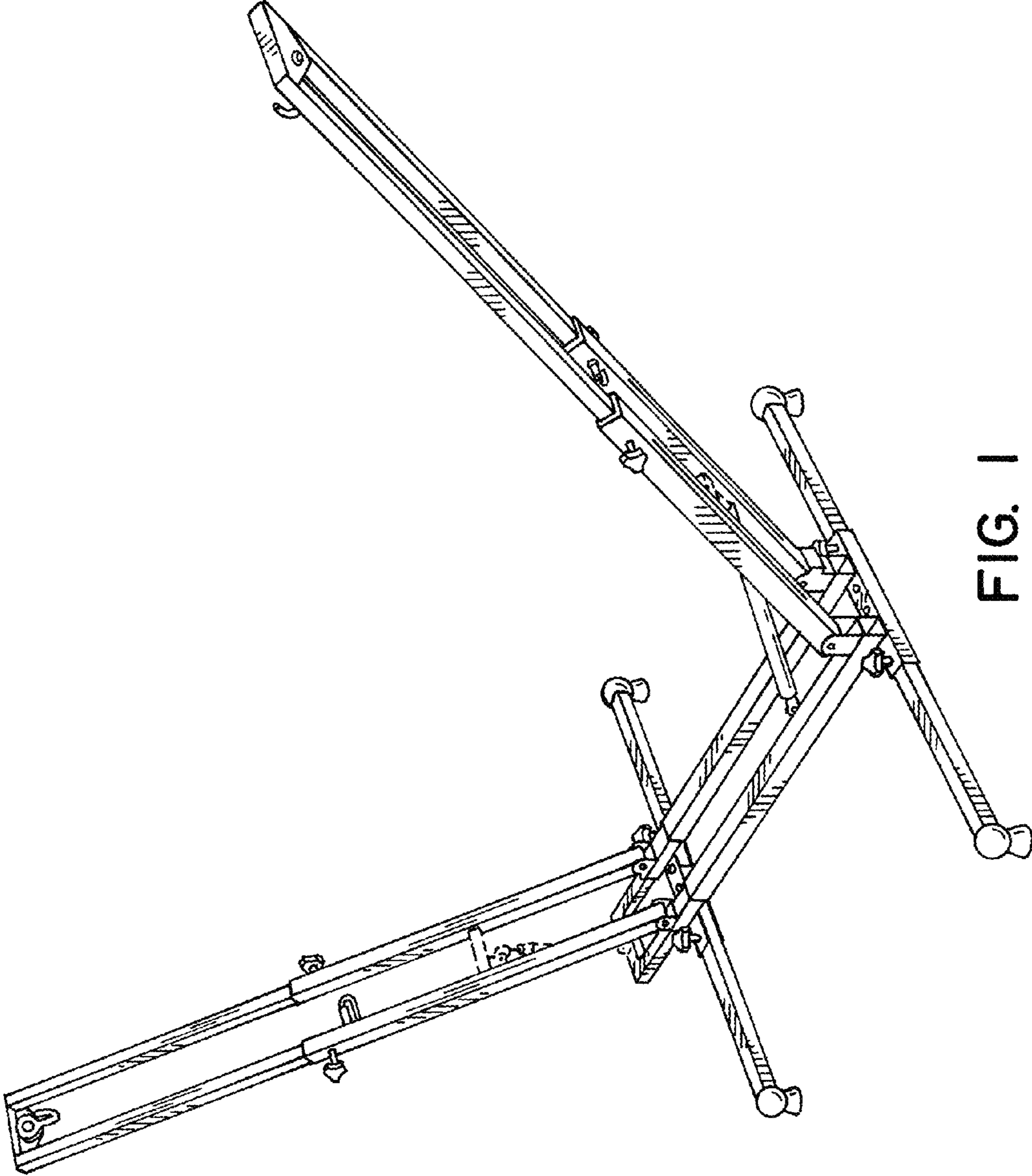


FIG. 1

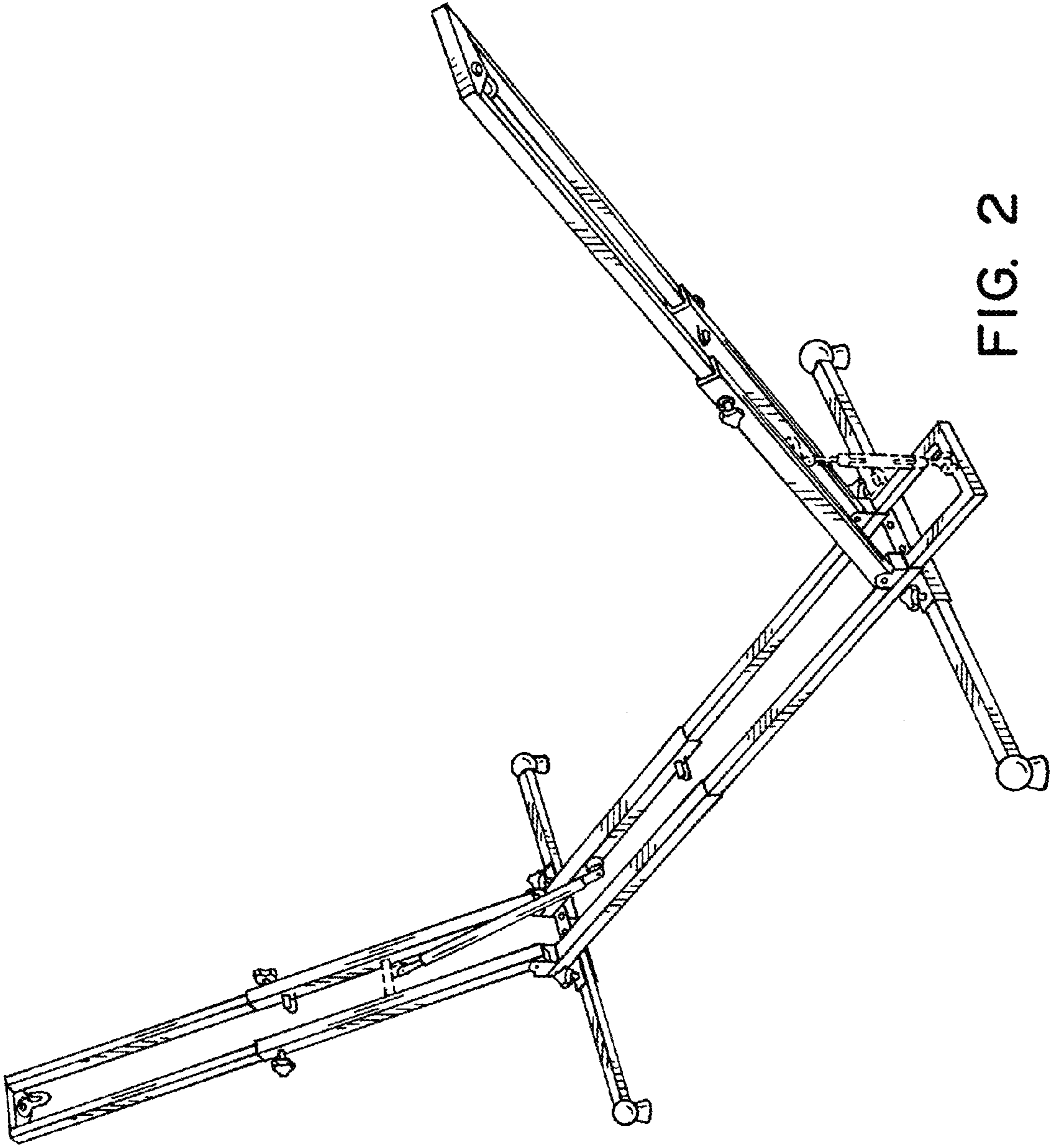


FIG. 2

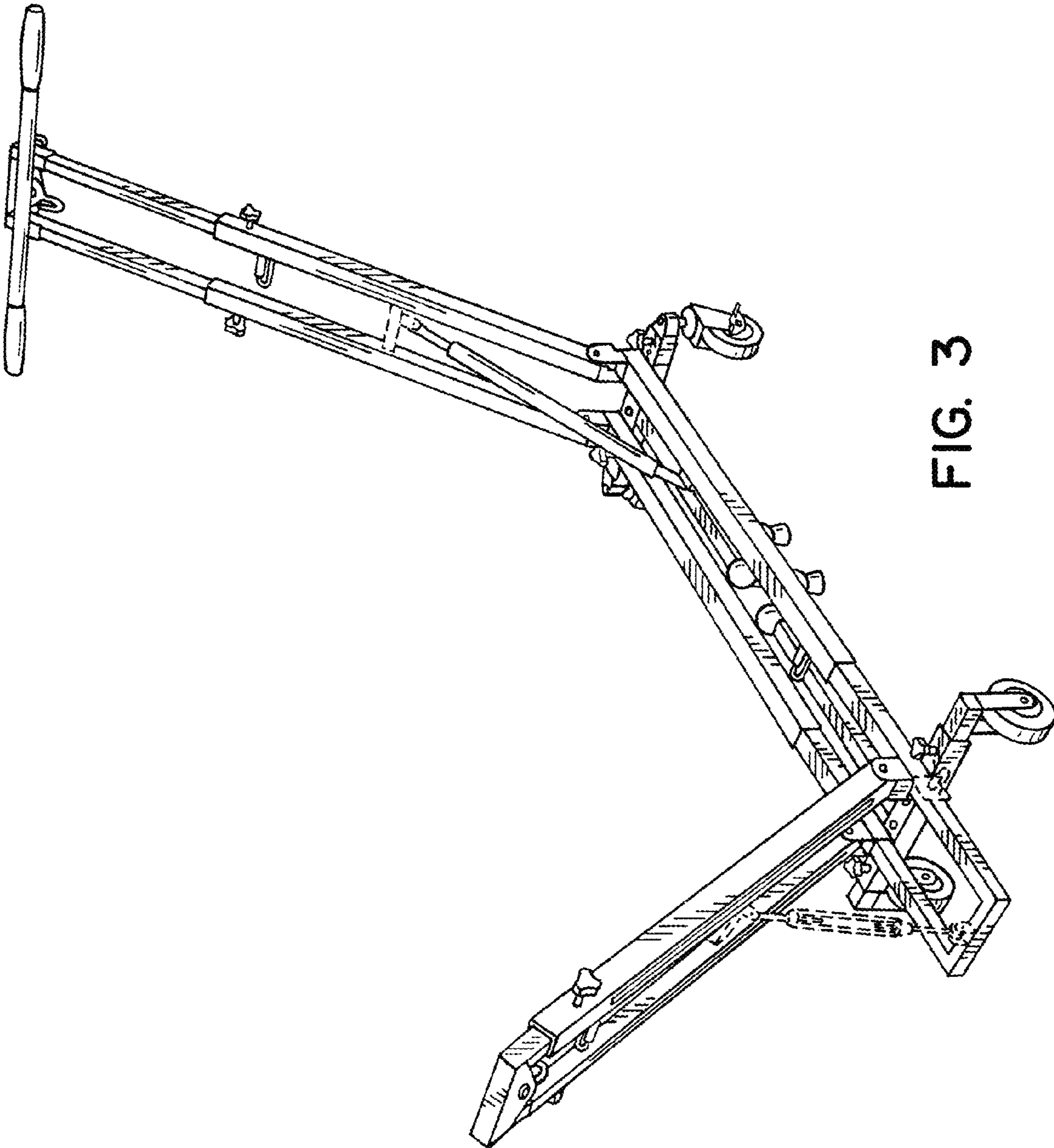


FIG. 3

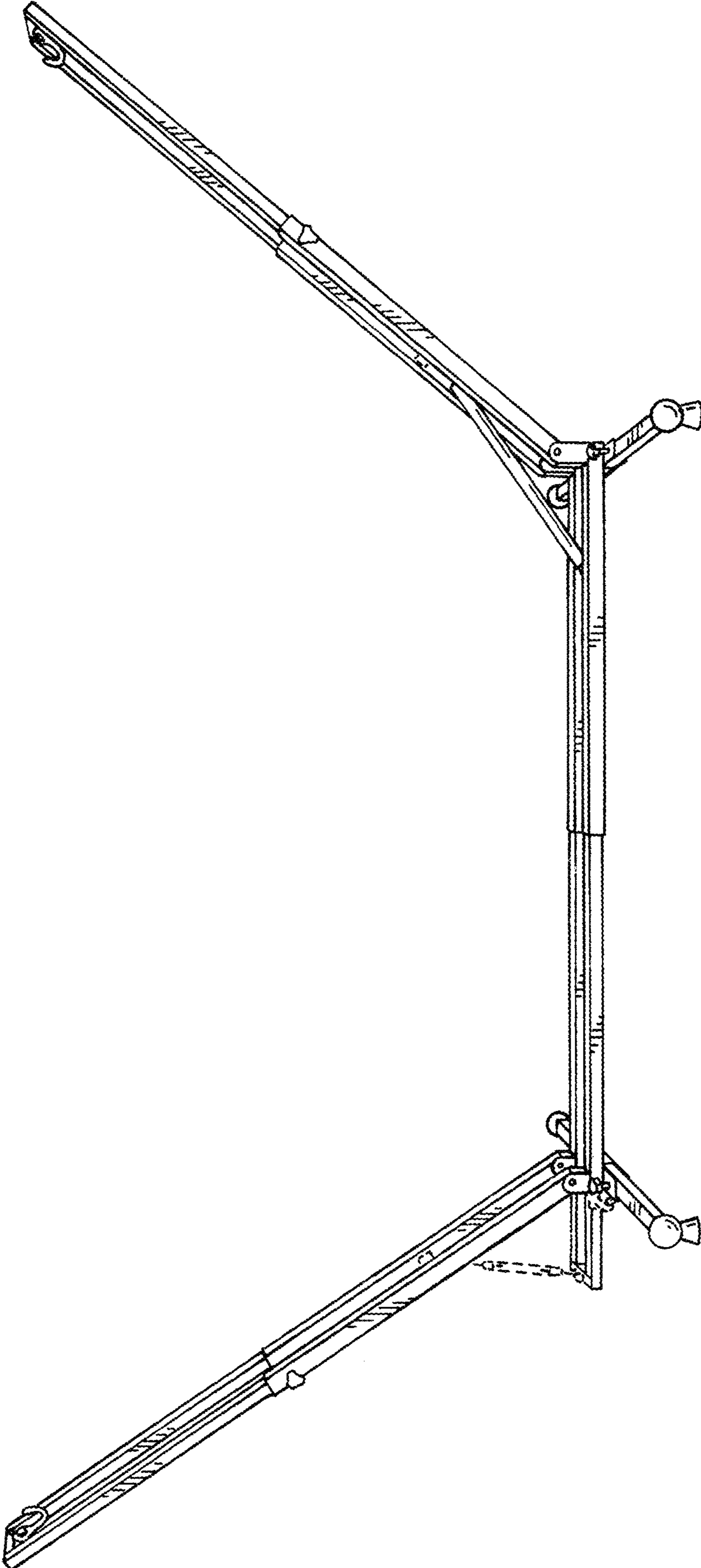


FIG. 4

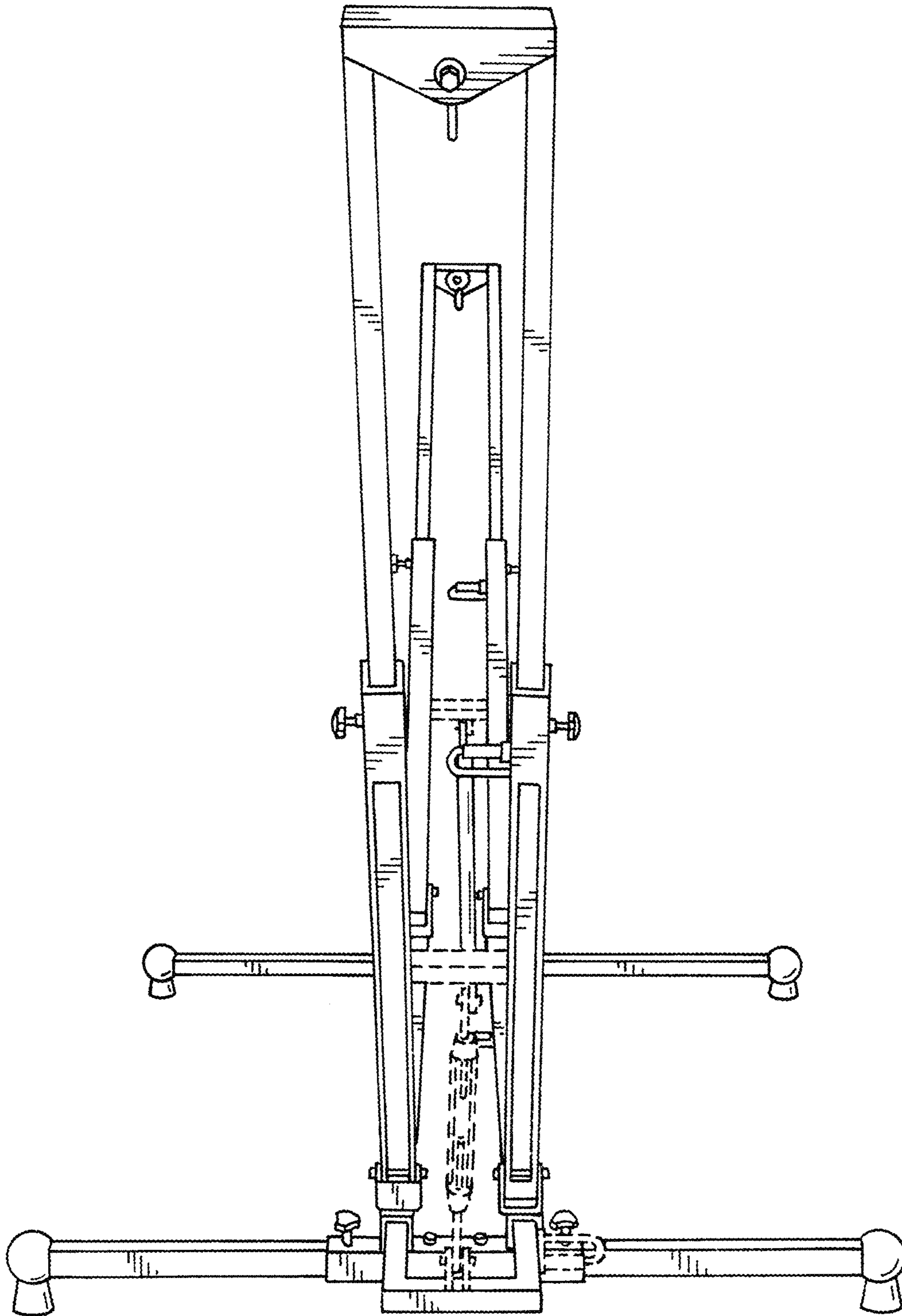


FIG. 5

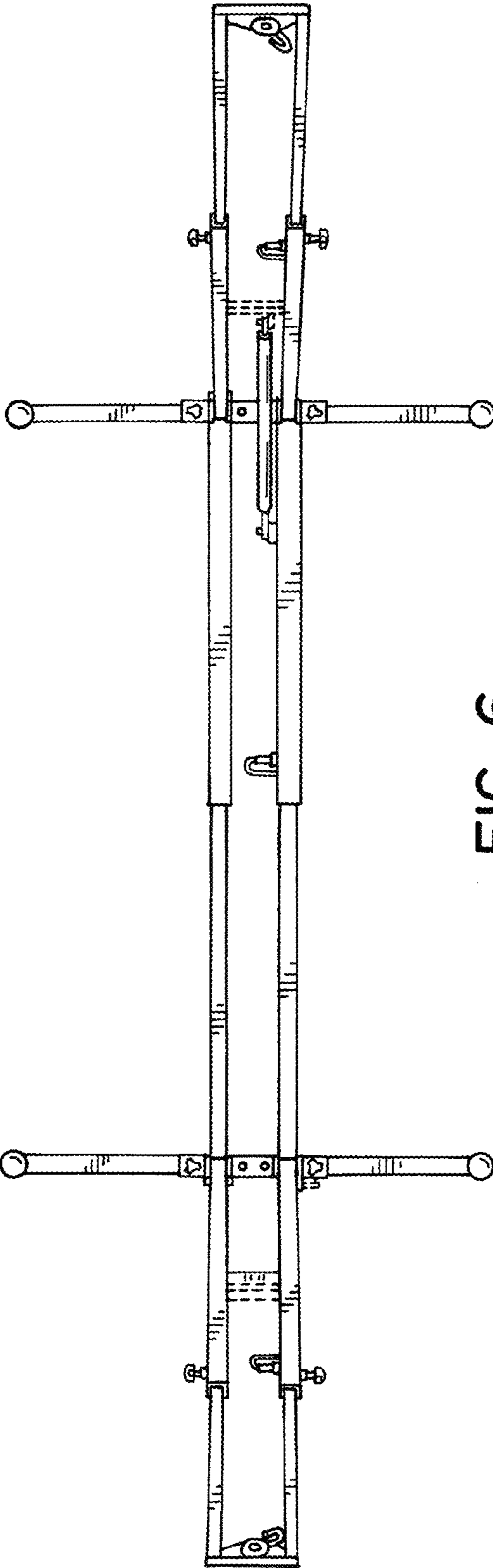


FIG. 6

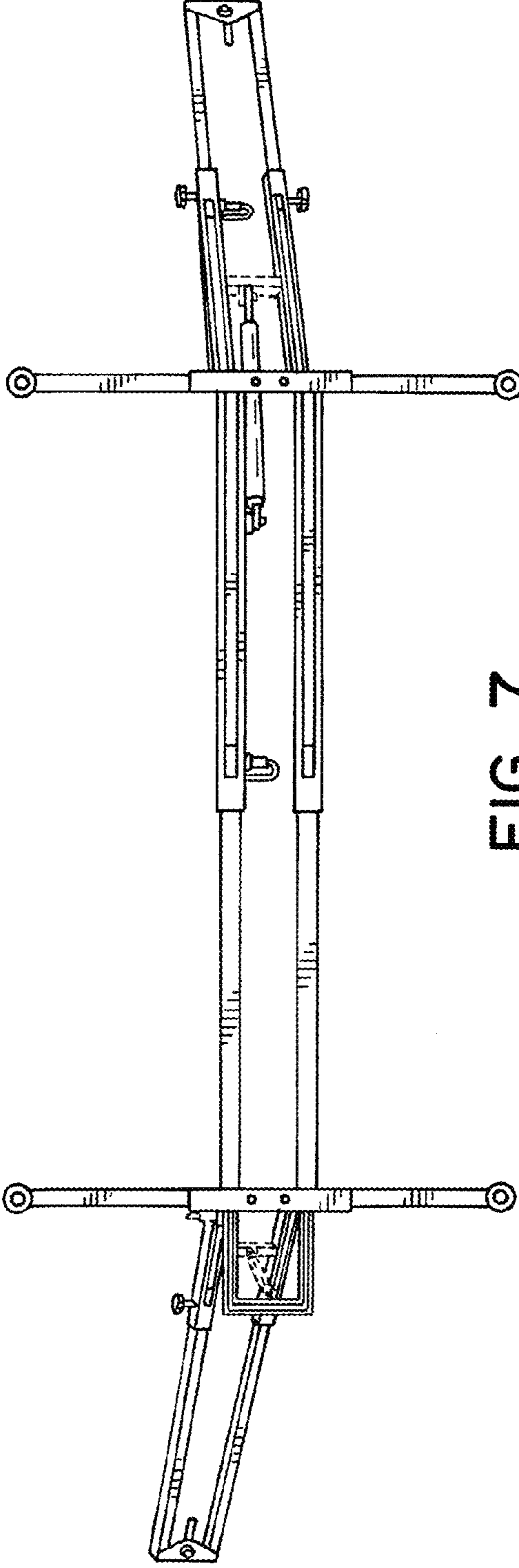


FIG. 7

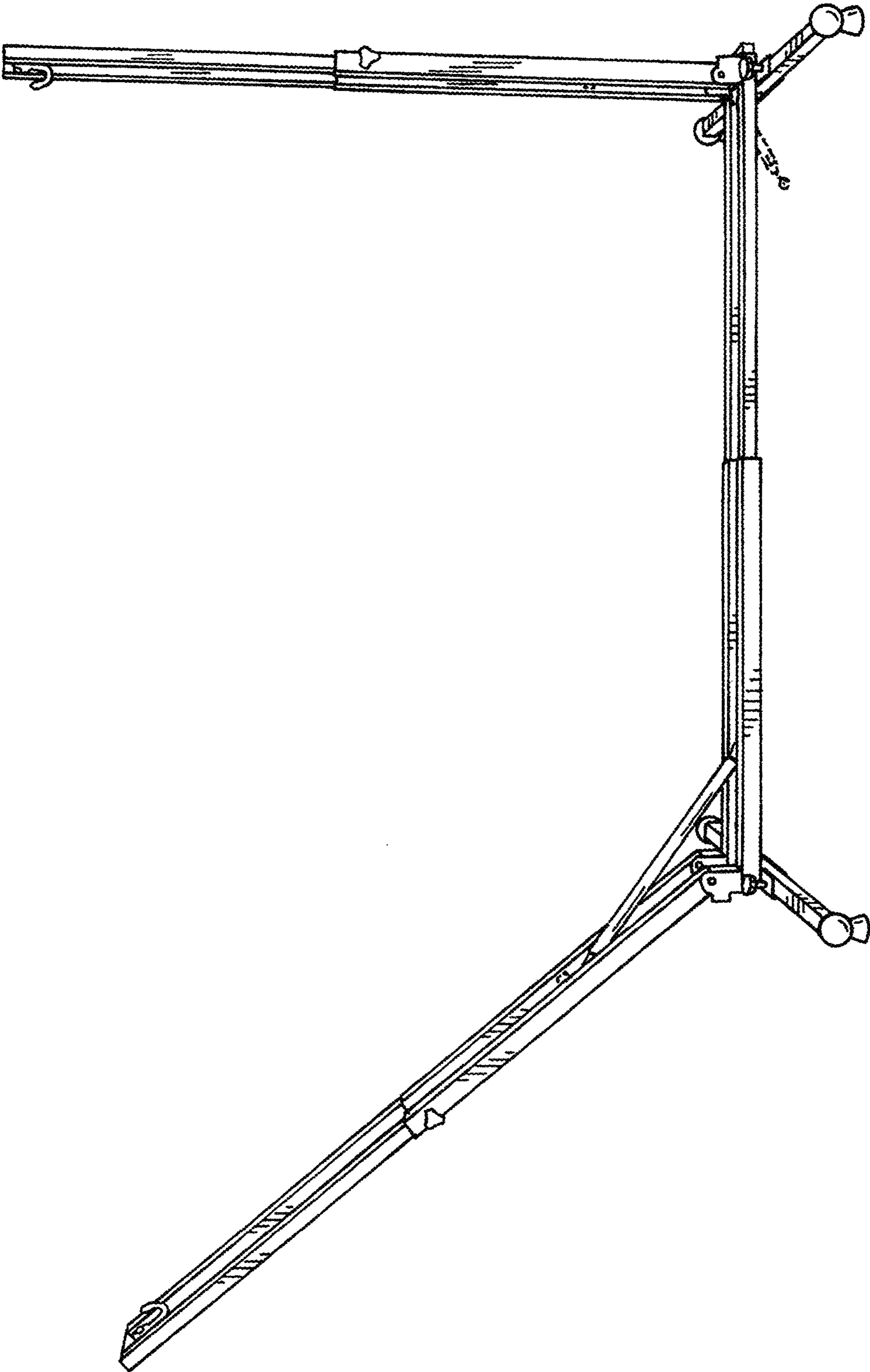


FIG. 8



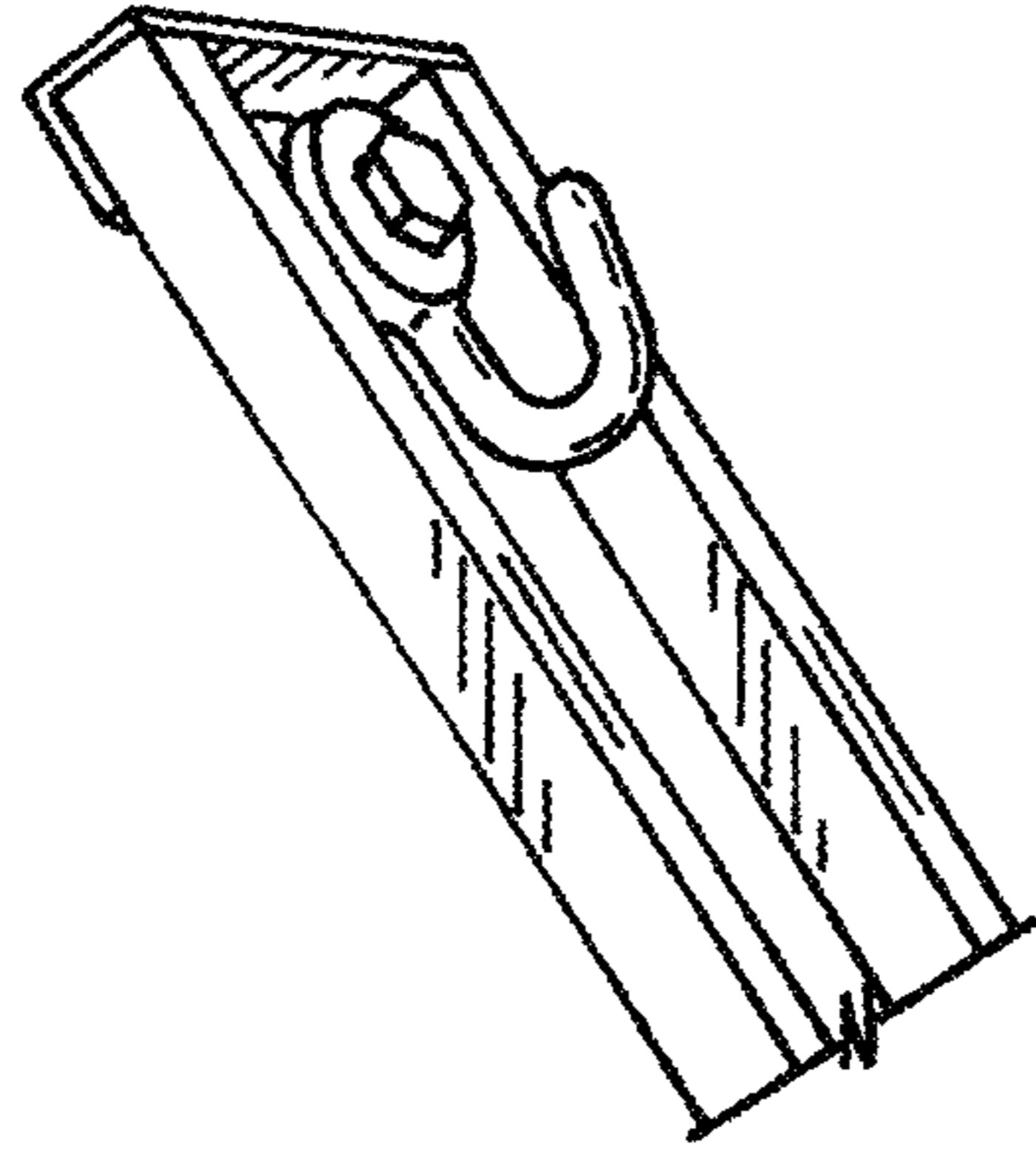


FIG. 9

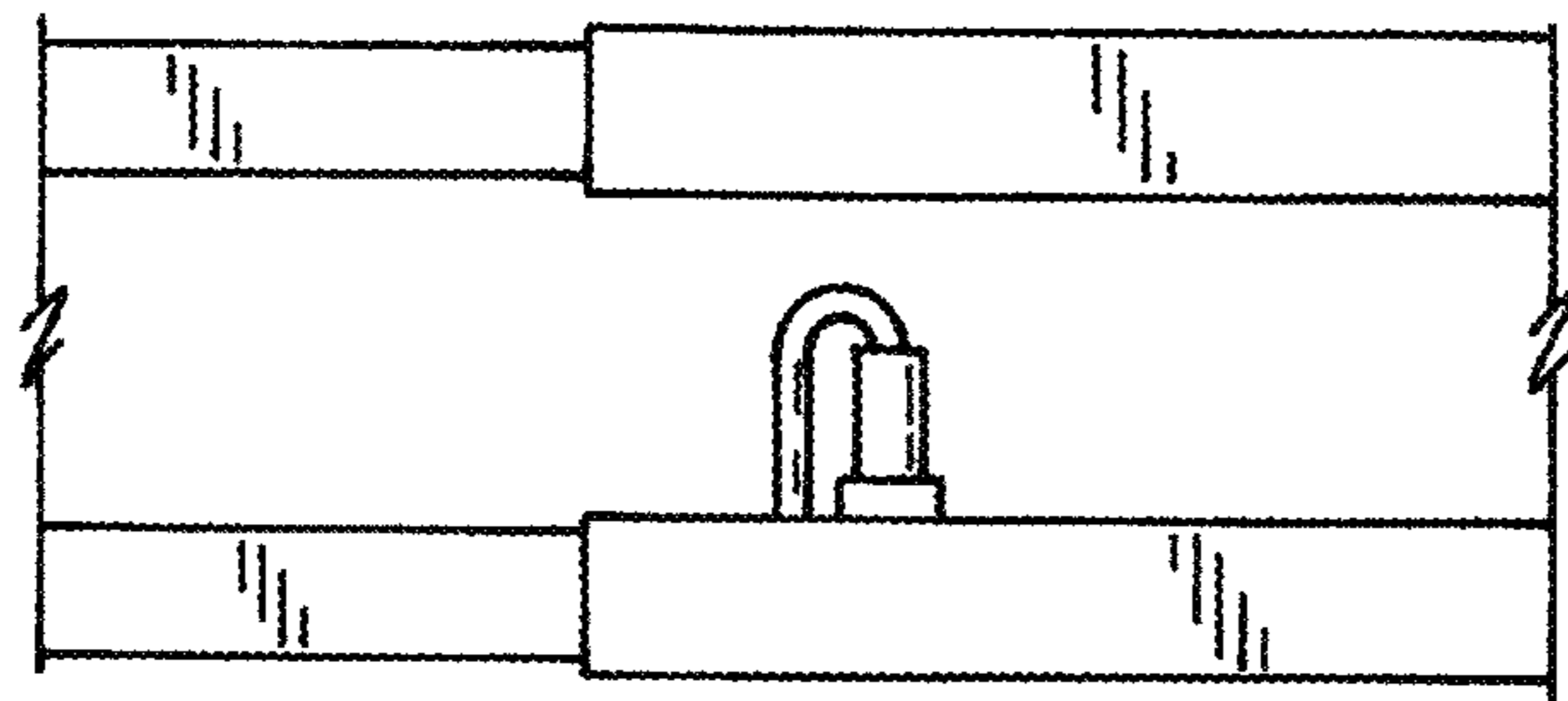


FIG. 10

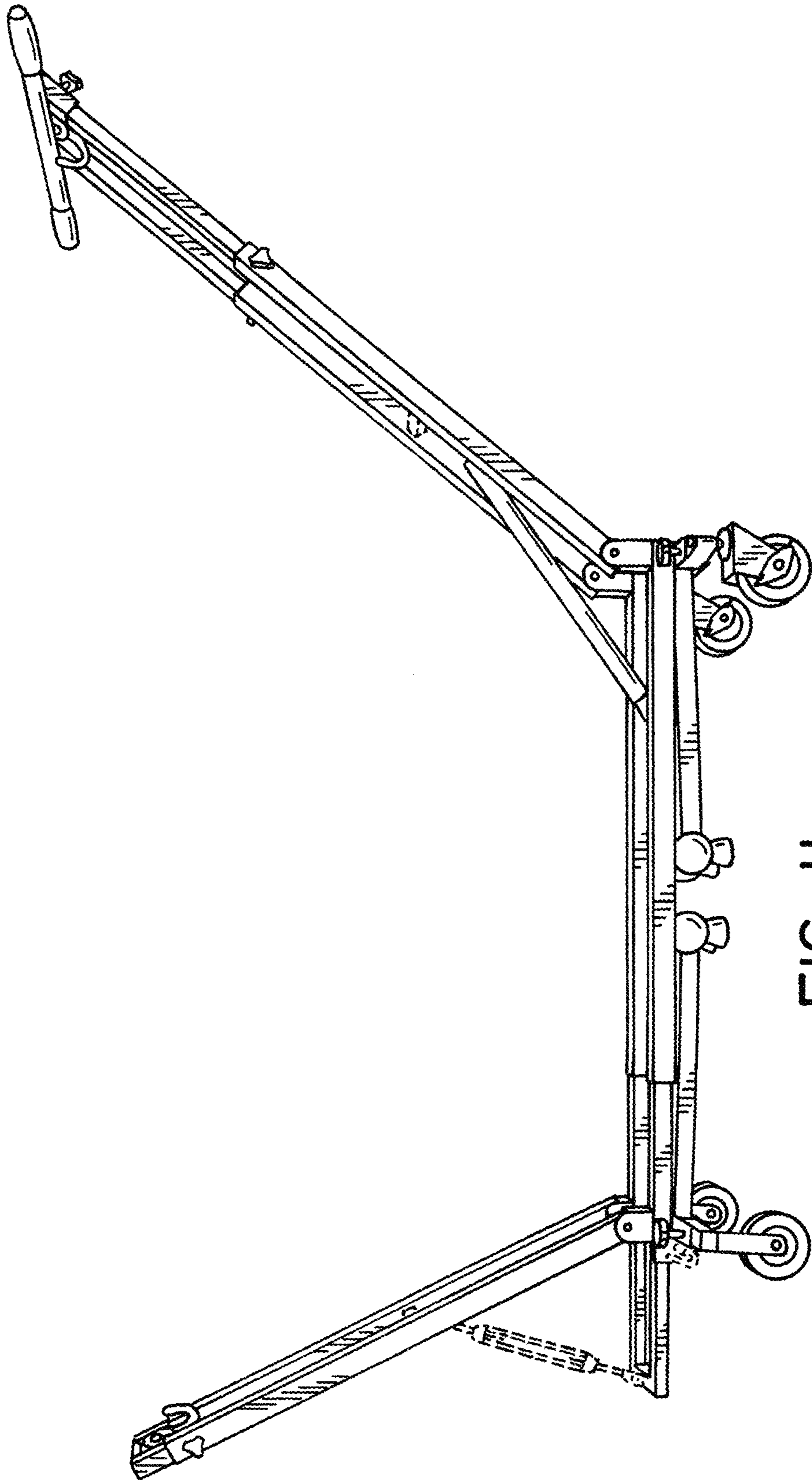


FIG. II