



US00D681999S

(12) **United States Design Patent**  
**Price**

(10) **Patent No.:** **US D681,999 S**

(45) **Date of Patent:** **\*\* May 14, 2013**

- (54) **BORDER FOR MATTRESSES**
- (71) Applicant: **Atlanta Attachment Company**,  
Lawrenceville, GA (US)
- (72) Inventor: **Elvin C. Price**, Dacula, GA (US)
- (73) Assignee: **Atlanta Attachment Company**,  
Lawrenceville, GA (US)
- (\*\*) Term: **14 Years**
- (21) Appl. No.: **29/435,636**
- (22) Filed: **Nov. 27, 2012**

- D551,011 S 9/2007 Van Patten
- D551,012 S 9/2007 Van Patten
- D552,397 S 10/2007 Van Patten
- D622,088 S 8/2010 Morrison
- D622,531 S 8/2010 Morrison et al.
- D633,322 S 3/2011 Morrison

(Continued)

*Primary Examiner* — Janice Seeger

(74) *Attorney, Agent, or Firm* — Womble Carlyle Sandridge & Rice LLP

(57) **CLAIM**

The ornamental design for a border for mattresses, as shown and described.

**DESCRIPTION**

FIG. 1 is a front perspective view of a border for mattresses showing my new design in accordance with a first embodiment.

FIG. 2 is a left elevation view of the border for mattresses of FIG. 1.

FIG. 3 is a right elevation view of the border for mattresses of FIG. 1.

FIG. 4 is a rear elevation view of the border for mattresses of FIG. 1.

FIG. 5 is a front elevation view of the border for mattresses of FIG. 1.

FIG. 6 is a top plan view of the border for mattresses of FIG. 1, which is identical to the opposite, bottom plan view of the border for mattresses of FIG. 1; and,

FIG. 7 is an enlarged view of a corner of the border for mattresses and is illustrative of a portion of each of FIGS. 1-5 showing the design shown in closer detail.

The broken lines shown in the drawings are for environmental purposes only and form no part of the claimed design. The areas encompassed by the broken lines form no part of the claimed design.

**Related U.S. Application Data**

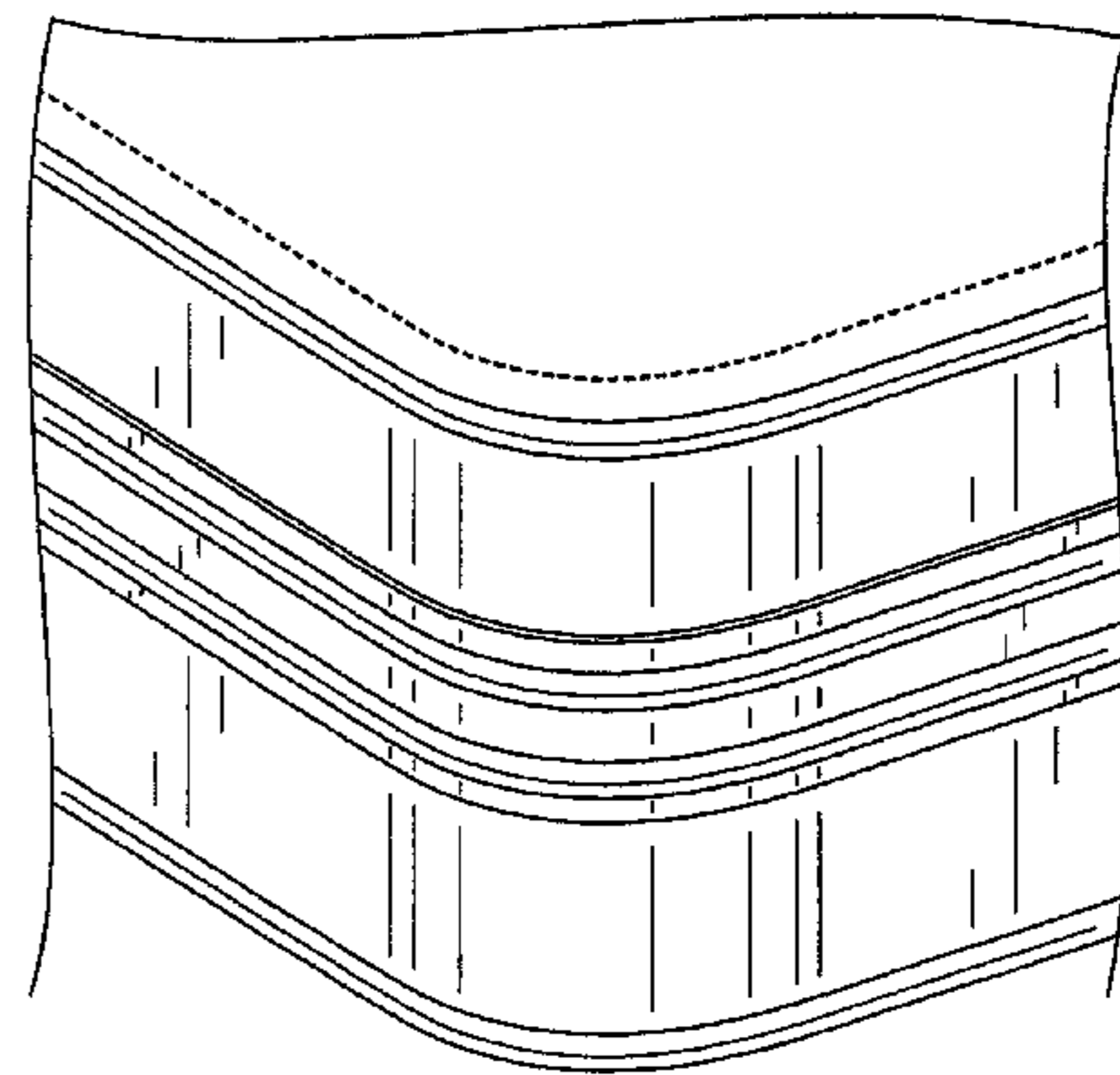
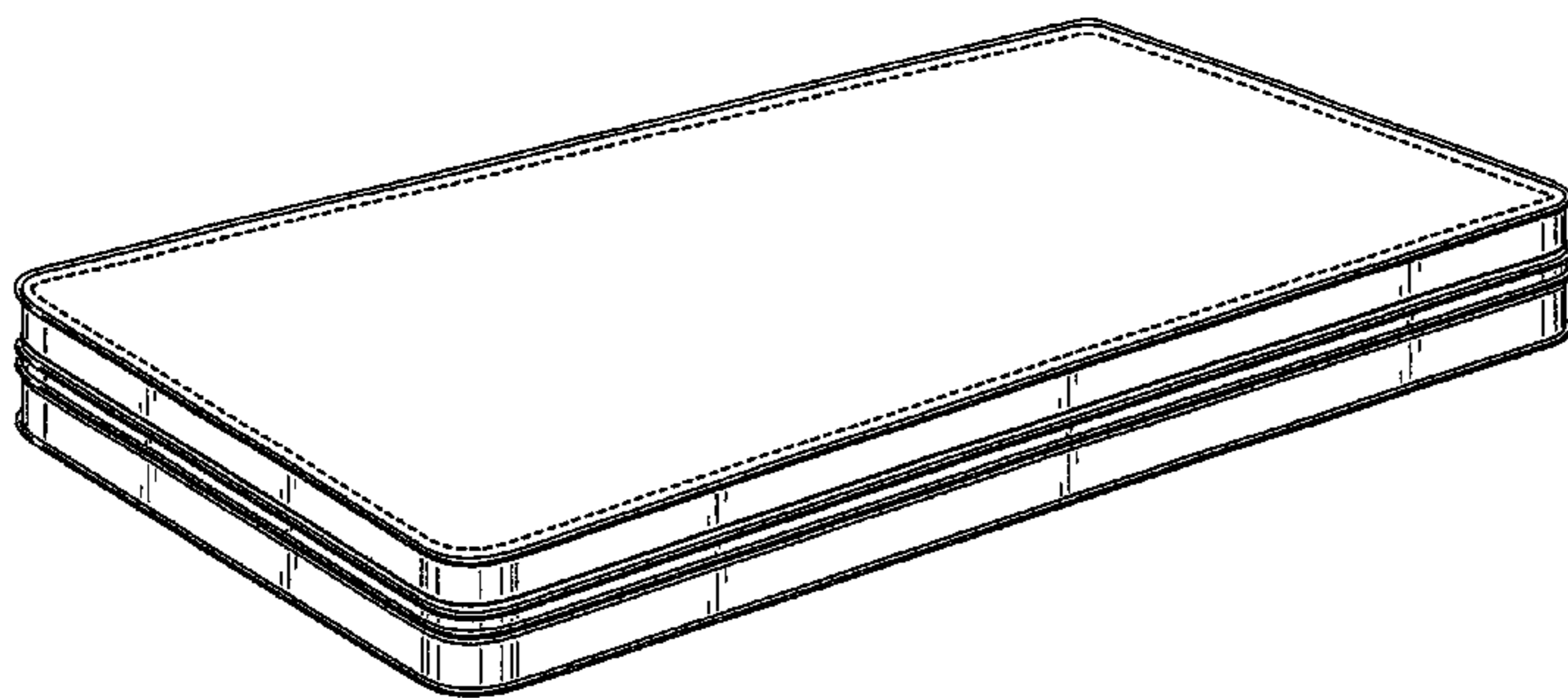
- (62) Division of application No. 29/419,256, filed on Apr. 26, 2012, now Pat. No. Des. 675,053.
- (51) **LOC (9) Cl.** ..... **06-09**
- (52) **U.S. Cl.**  
USPC ..... **D6/605**
- (58) **Field of Classification Search** ..... D6/595,  
D6/596, 601, 604, 605; 5/690, 703, 704,  
5/716, 717, 739, 740, 657.5, 675, 680, 688,  
5/700, 706, 737, 499  
See application file for complete search history.

**References Cited**

**U.S. PATENT DOCUMENTS**

- 1,355,729 A \* 10/1920 Bennett ..... 5/739
- 1,413,577 A \* 4/1922 Eldredge ..... 5/739
- 1,762,106 A \* 6/1930 Pittoni ..... 5/739
- 1,892,203 A \* 12/1932 Burton et al. .... 5/717
- 2,200,011 A \* 5/1940 Riley ..... 5/716
- 2,229,385 A \* 1/1941 Munson et al. .... 112/475.01
- 2,611,910 A \* 9/1952 Bell ..... 267/91
- 2,975,437 A \* 3/1961 Freeman ..... 5/716
- 4,554,693 A 11/1985 Calloway
- 6,640,362 B1 11/2003 Kimball

**1 Claim, 5 Drawing Sheets**



# US D681,999 S

Page 2

---

## U.S. PATENT DOCUMENTS

D640,082 S 6/2011 Morrison  
D642,413 S 8/2011 Rinehart  
D651,443 S 1/2012 Wightman

D659,459 S 5/2012 Jung et al.  
D662,751 S 7/2012 Morrison et al.

\* cited by examiner

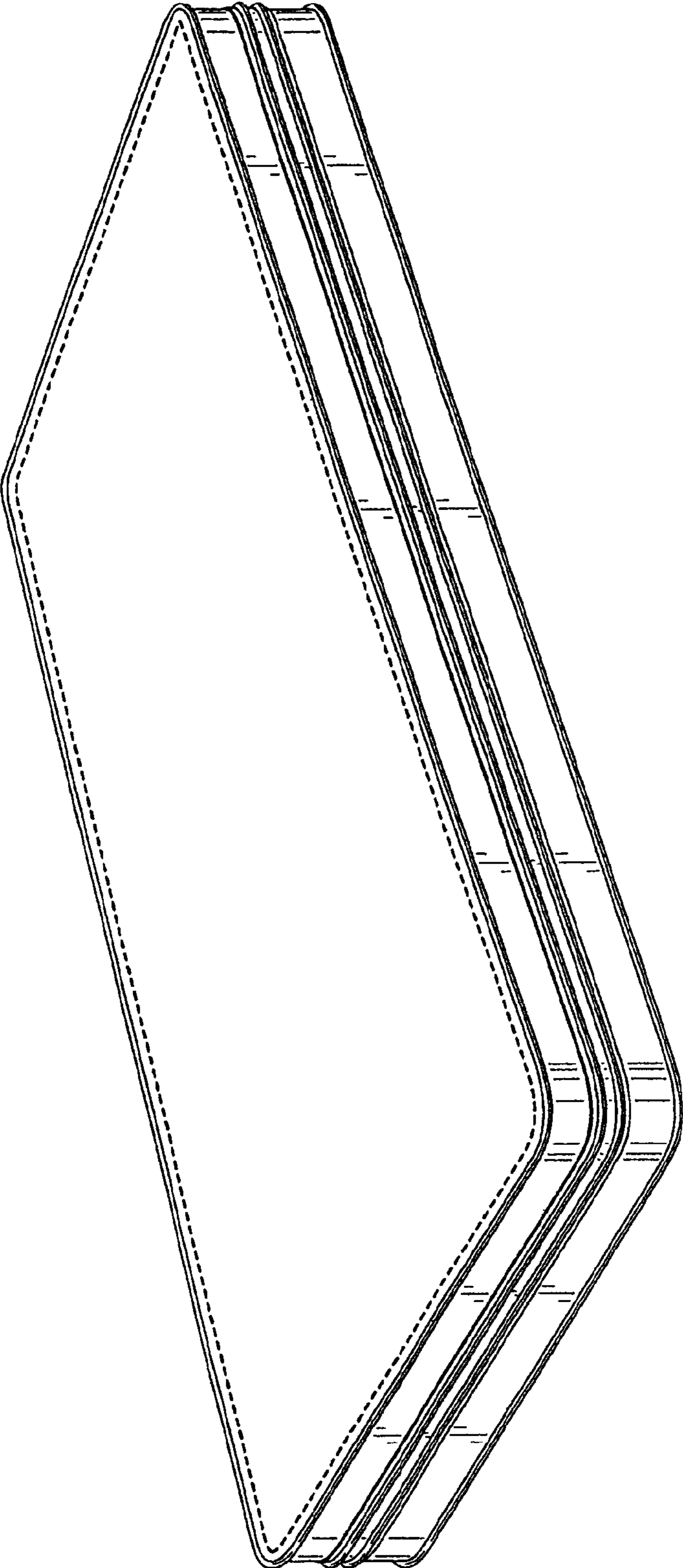


FIG. 1

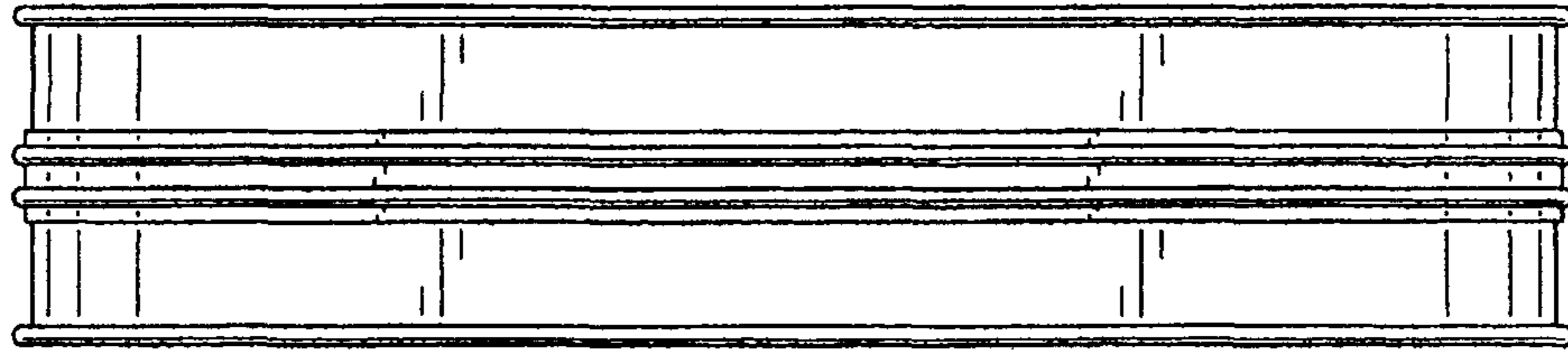


FIG. 2

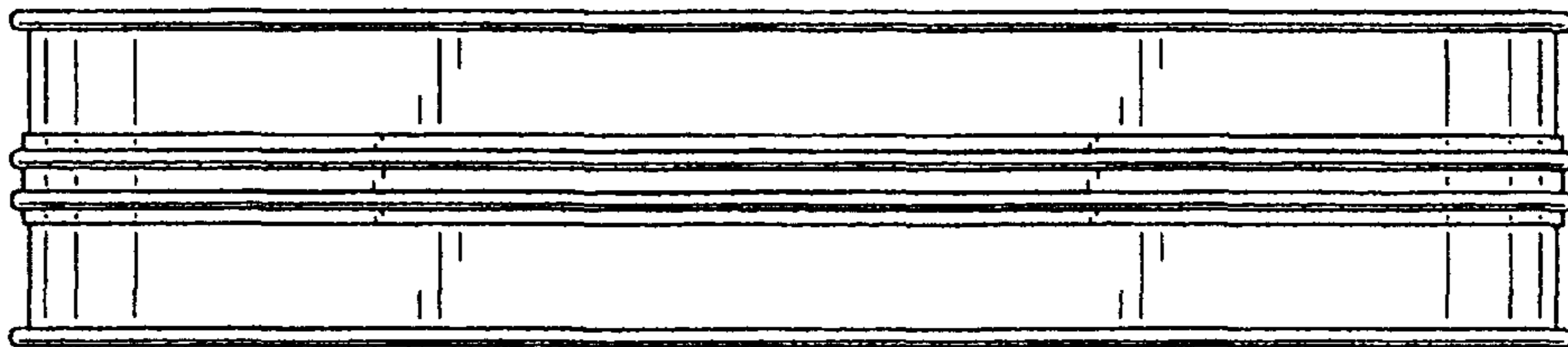


FIG. 3

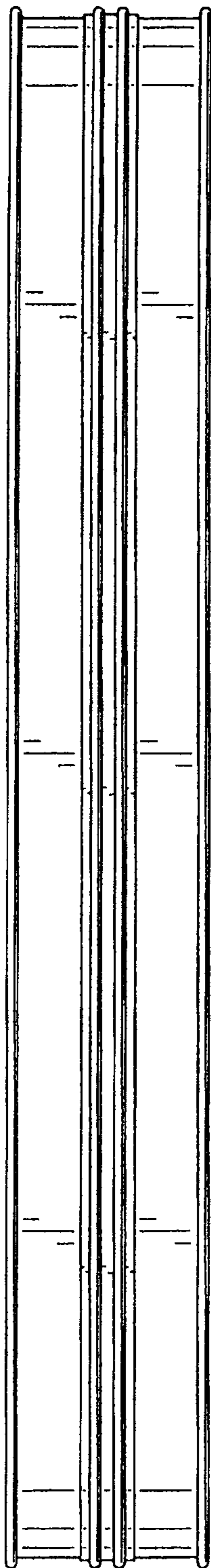


FIG. 4

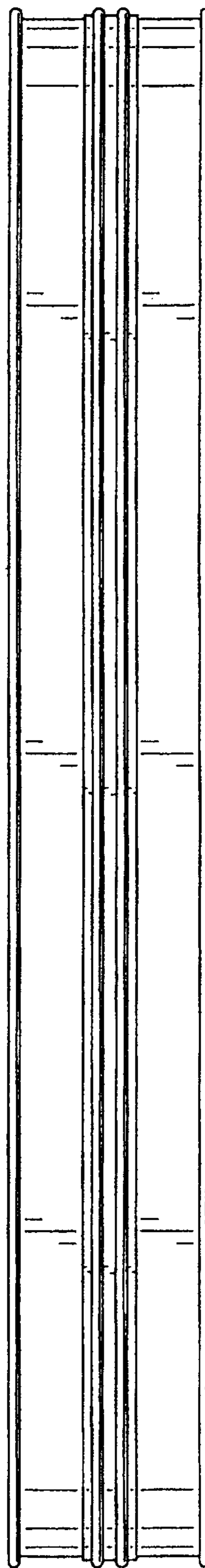


FIG. 5

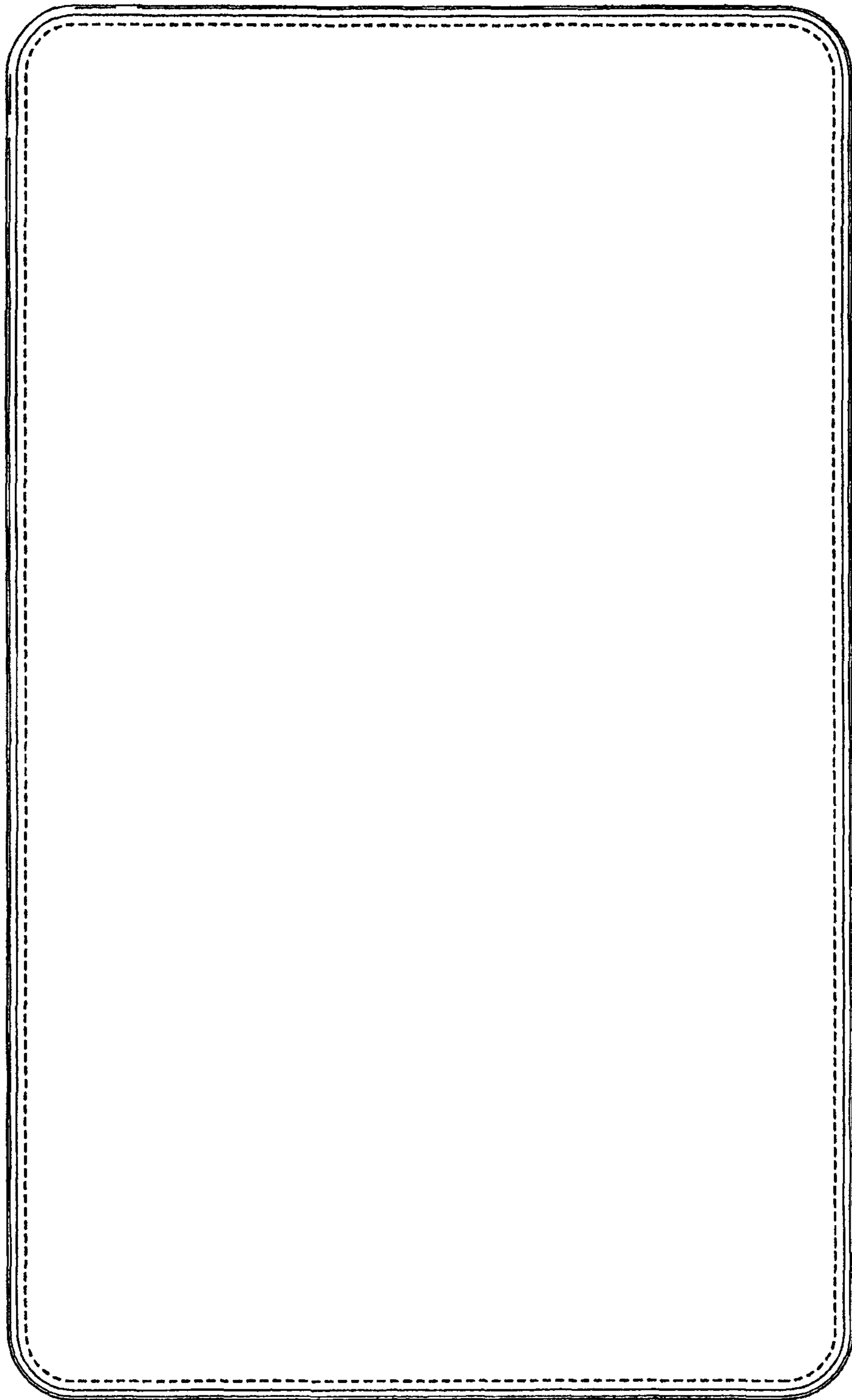


FIG. 6

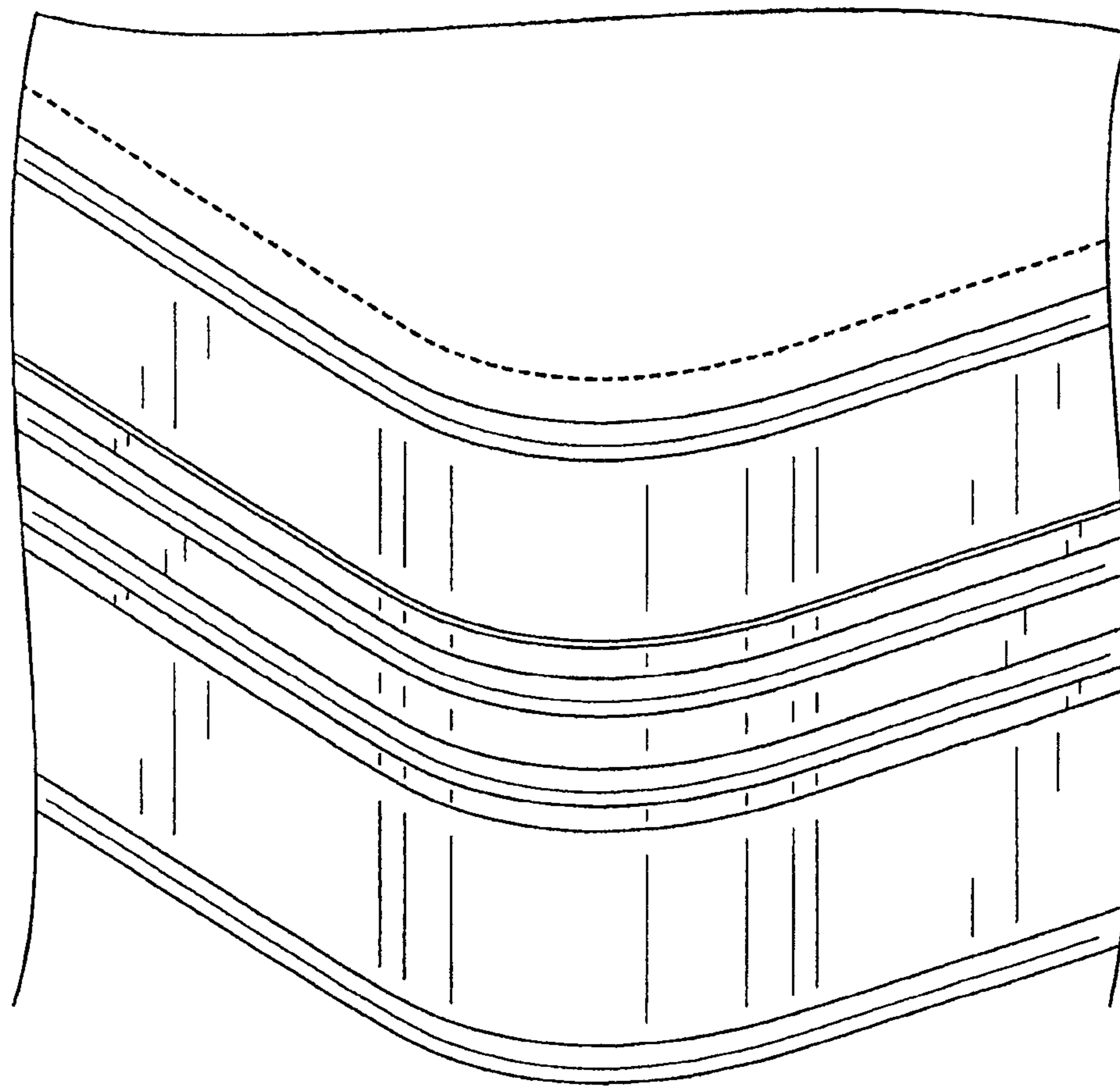


FIG. 7