



US00D681995S

(12) **United States Design Patent**
Davis et al.

(10) **Patent No.:** **US D681,995 S**
(45) **Date of Patent:** **** May 14, 2013**

(54) **PILLOW**

(75) Inventors: **Edmund Scott Davis**, Oakland Park, FL (US); **Keith Richard Coponi**, Oakland Park, FL (US); **Calvin G. Tabor**, Colorado Springs, CO (US)

(73) Assignee: **Banyan Licensing, LLC**, Fort Lauderdale, FL (US)

(**) Term: **14 Years**

(21) Appl. No.: **29/412,101**

(22) Filed: **Jan. 30, 2012**

(51) **LOC (9) Cl.** **06-09**

(52) **U.S. Cl.**
USPC **D6/601**

(58) **Field of Classification Search** D6/595,
D6/596, 597, 601, 604; 5/420, 630, 633,
5/636, 637, 645, 652-656, 655.9, 639, 644;
297/219.12, 256.17

See application file for complete search history.

(56) **References Cited**

U.S. PATENT DOCUMENTS

D381,232	S	*	7/1997	Jansson	D6/596
5,960,494	A	*	10/1999	Gilliland et al.	5/638
D503,062	S	*	3/2005	Nash	D6/601
D664,799	S	*	8/2012	Schwingendorf et al.	D6/601

* cited by examiner

Primary Examiner — Janice Seeger

(74) *Attorney, Agent, or Firm* — Henry B. Ward, III; Moore & Van Allen PLLC

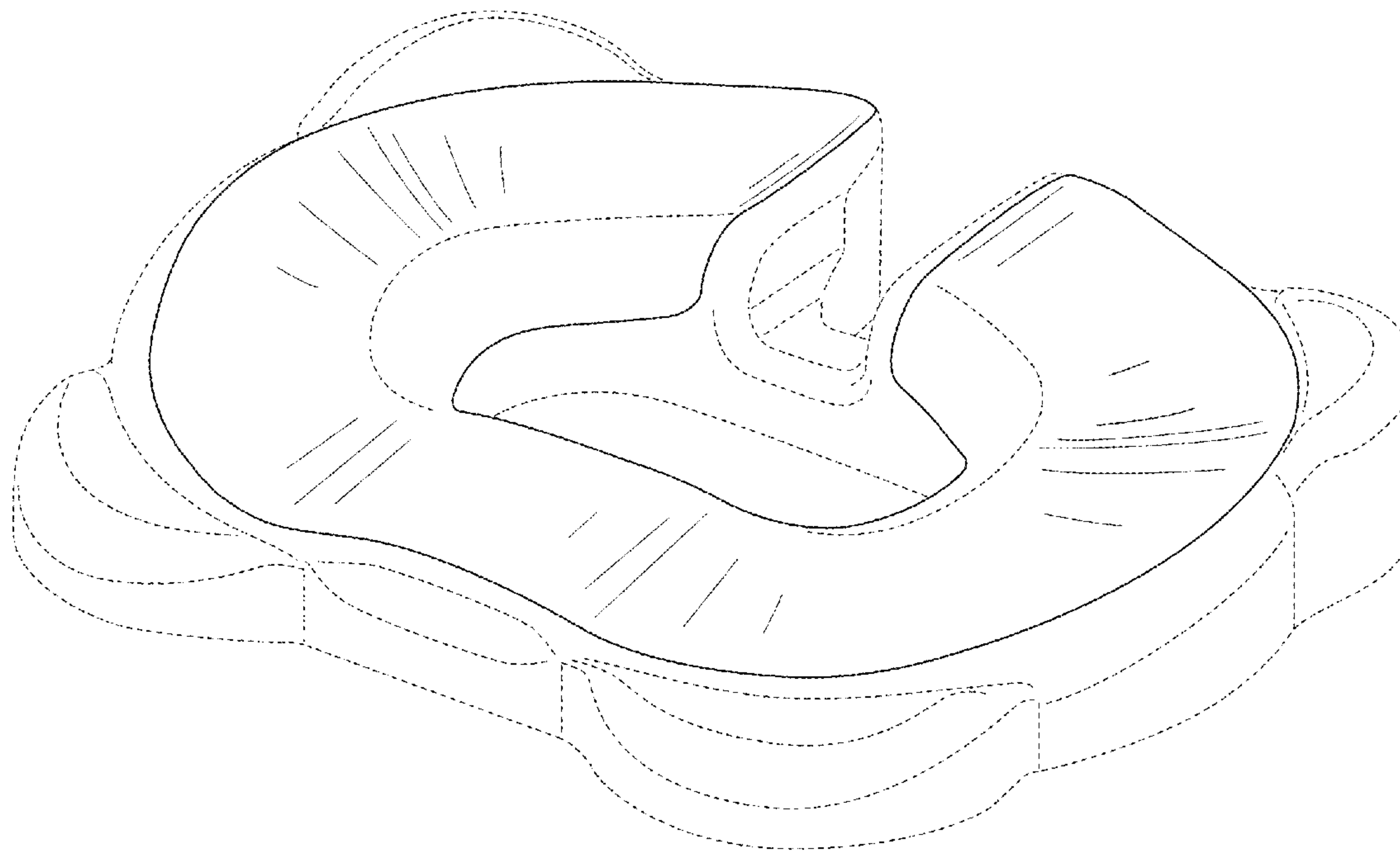
(57) **CLAIM**

The ornamental design for a pillow, as shown and described.

DESCRIPTION

FIG. 1 is a top, right-side perspective view of a pillow, according to a first embodiment of the present invention; FIG. 2 is a front plan view of the pillow of FIG. 1; FIG. 3 is a back plan view of the pillow of FIG. 1; FIG. 4 is a right plan view of the pillow of FIG. 1; FIG. 5 is a left plan view of the pillow of FIG. 1; FIG. 6 is a top plan view of the pillow of FIG. 1; and, FIG. 7 is a bottom plan view of the pillow of FIG. 1. The broken lines shown in the drawings are shown for illustrative purposes only and form no part of the claimed design. In addition, the surface shading, if any, illustrated in the drawings is provided merely to highlight the contour of the design; it is not intended to be illustrative of texture or gloss.

1 Claim, 5 Drawing Sheets



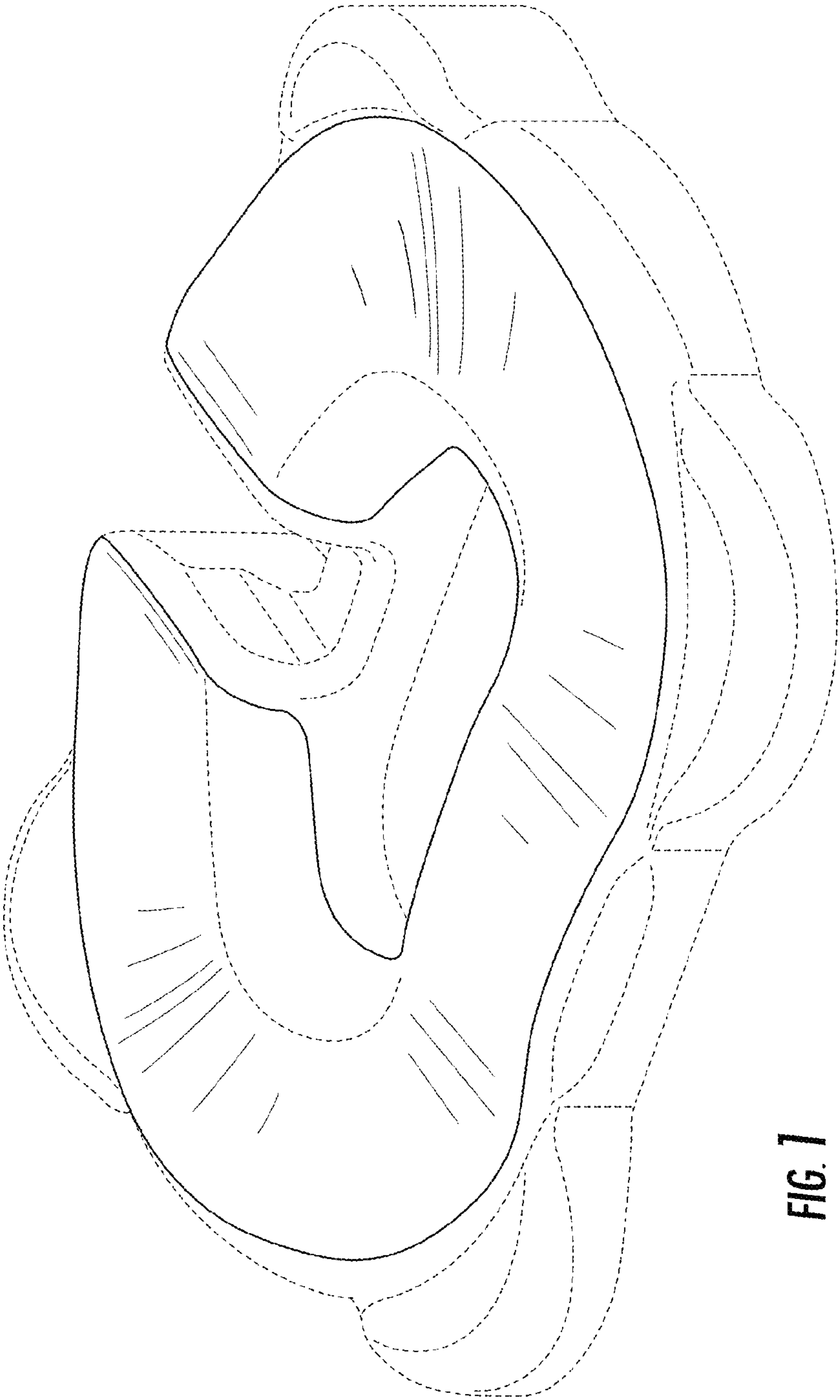


FIG. 1

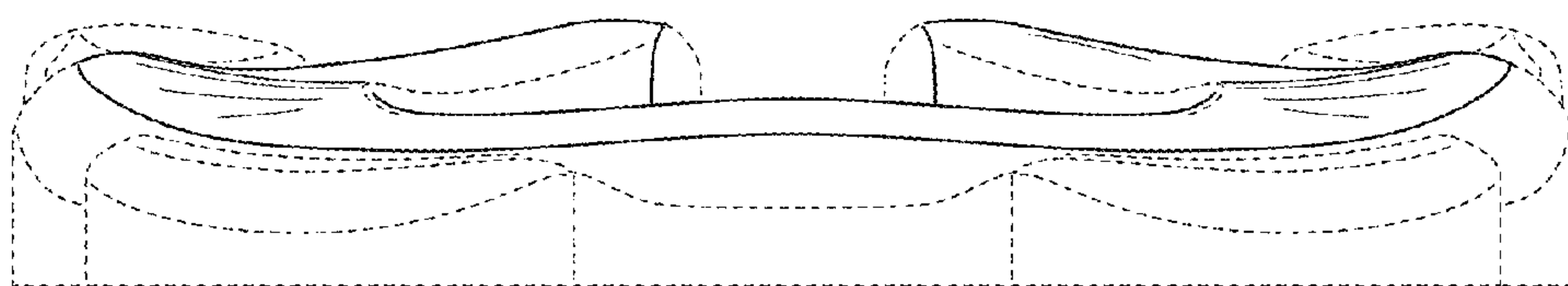


FIG. 2

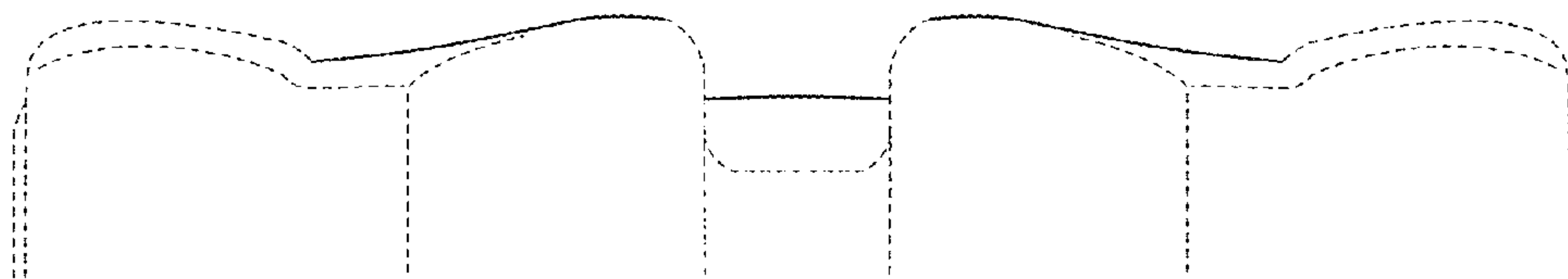


FIG. 3

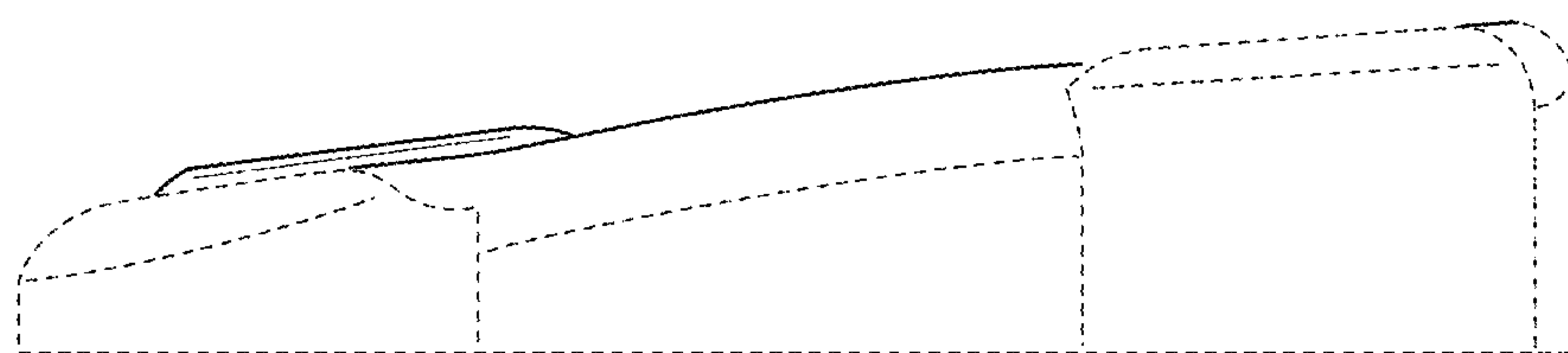


FIG. 4

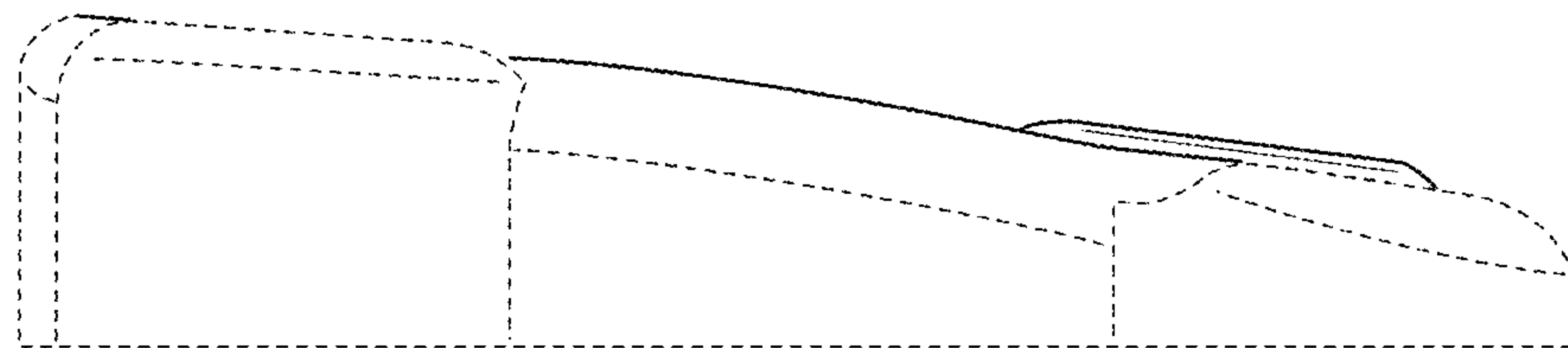


FIG. 5

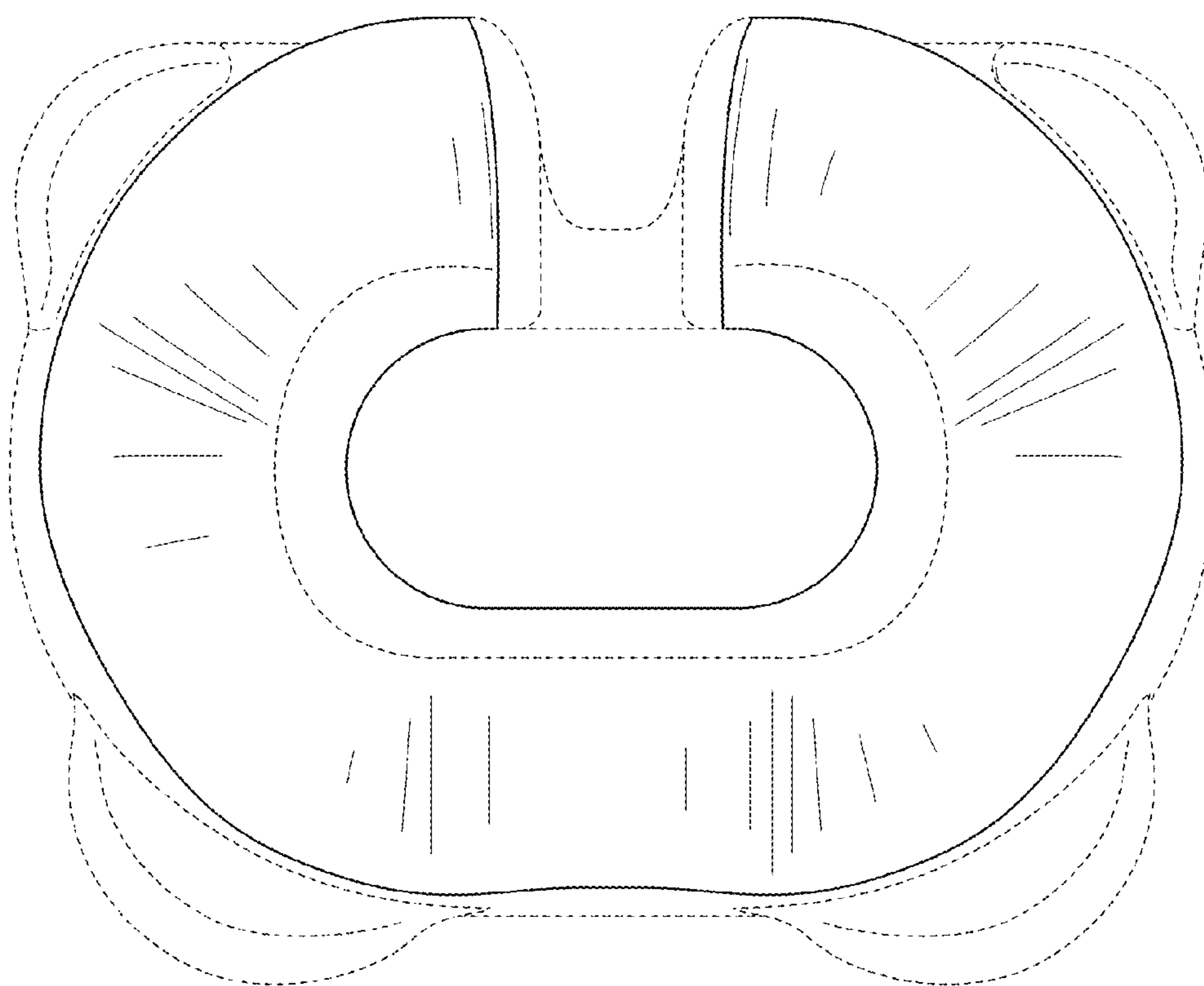


FIG. 6

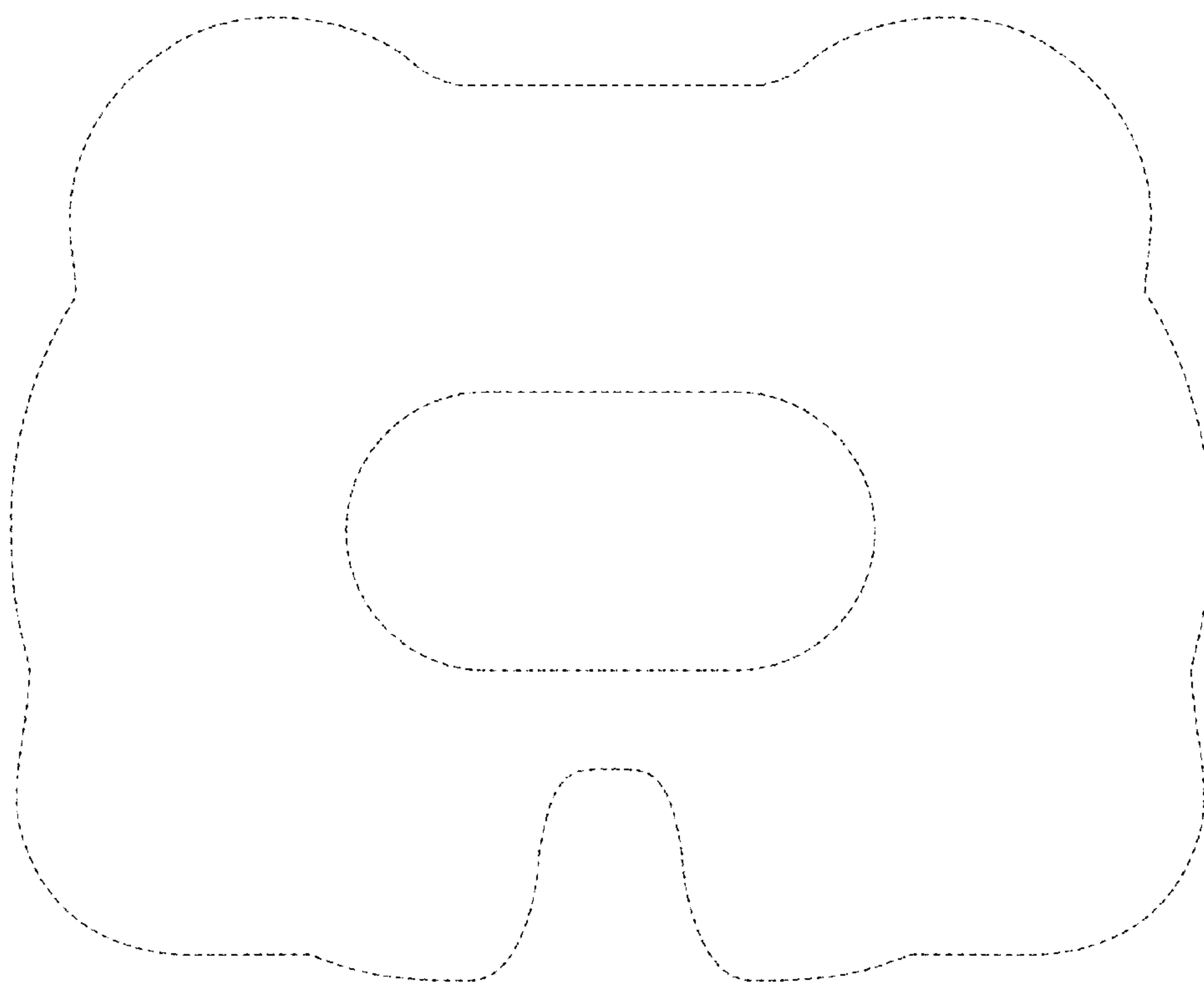


FIG. 7