



US00D681994S

(12) **United States Design Patent**
Morgan, II

(10) **Patent No.:** **US D681,994 S**

(45) **Date of Patent:** **** May 14, 2013**

(54) **SPINAL SUPPORT**

(75) Inventor: **James Arden Morgan, II**,
Williamstown, WV (US)

(73) Assignee: **James A. Morgan, II**, Williamstown,
WV (US)

(**) Term: **14 Years**

(21) Appl. No.: **29/407,282**

(22) Filed: **Nov. 28, 2011**

(51) **LOC (9) Cl.** **06-09**

(52) **U.S. Cl.**
USPC **D6/601**

(58) **Field of Classification Search** D6/595,
D6/596, 601, 604; 5/630, 633, 636, 637,
5/652-656, 706; D21/809
See application file for complete search history.

(56) **References Cited**

U.S. PATENT DOCUMENTS

D254,029 S * 1/1980 Barbagallo D24/183
D310,609 S * 9/1990 Burkhardt D6/601

D334,107 S * 3/1993 Johnson D6/601
D400,386 S * 11/1998 Keilhauer D6/601
2001/0029630 A1* 10/2001 Cortese et al. 5/636

* cited by examiner

Primary Examiner — Janice Seeger

(57) **CLAIM**

The ornamental design for a spinal support, as shown and described.

DESCRIPTION

A portion of this patent application contains material which is subject to copyright protection. The owner has no objection to the facsimile reproduction by anyone of the Patent and Trademark Office patent file or records, but otherwise reserves all rights whatsoever.

FIG. 1 is a right side perspective view of a spinal support.

FIG. 2 is a right side view thereof; the left side being a mirror image thereof.

FIG. 3 is a top plan view thereof.

FIG. 4 is a left side view thereof.

FIG. 5 is a bottom plan view thereof.

FIG. 6 is a back end view thereof; and,

FIG. 7 is a front end view thereof.

1 Claim, 2 Drawing Sheets

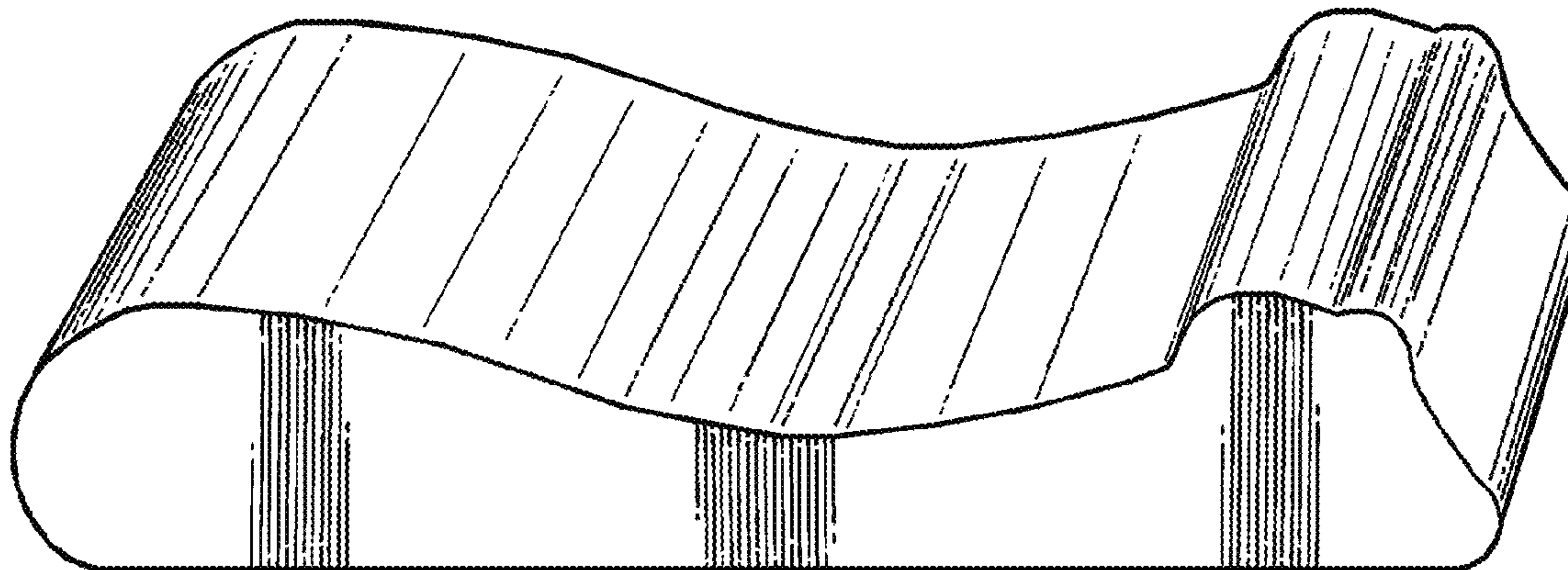


FIG. 1.

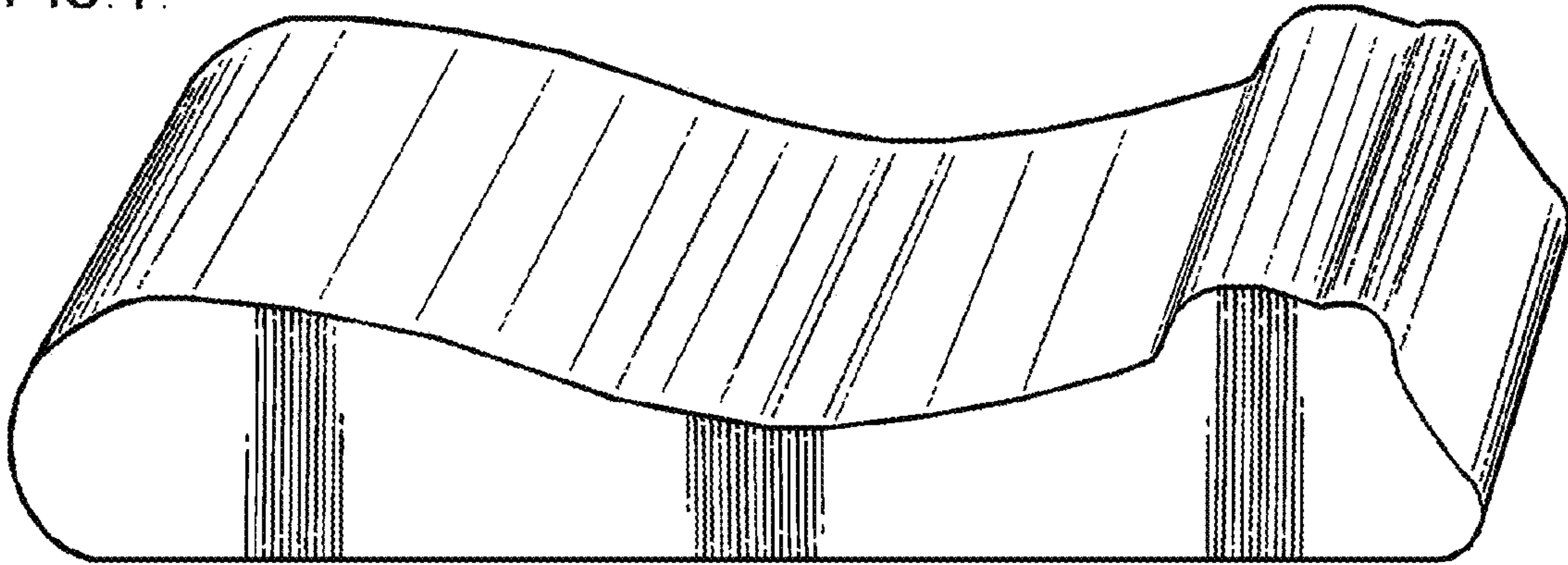


FIG. 2.

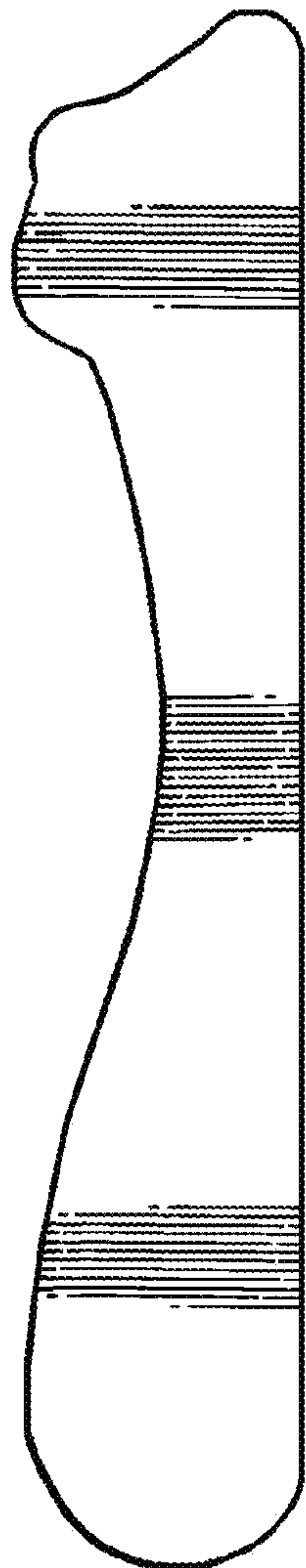


FIG. 3.

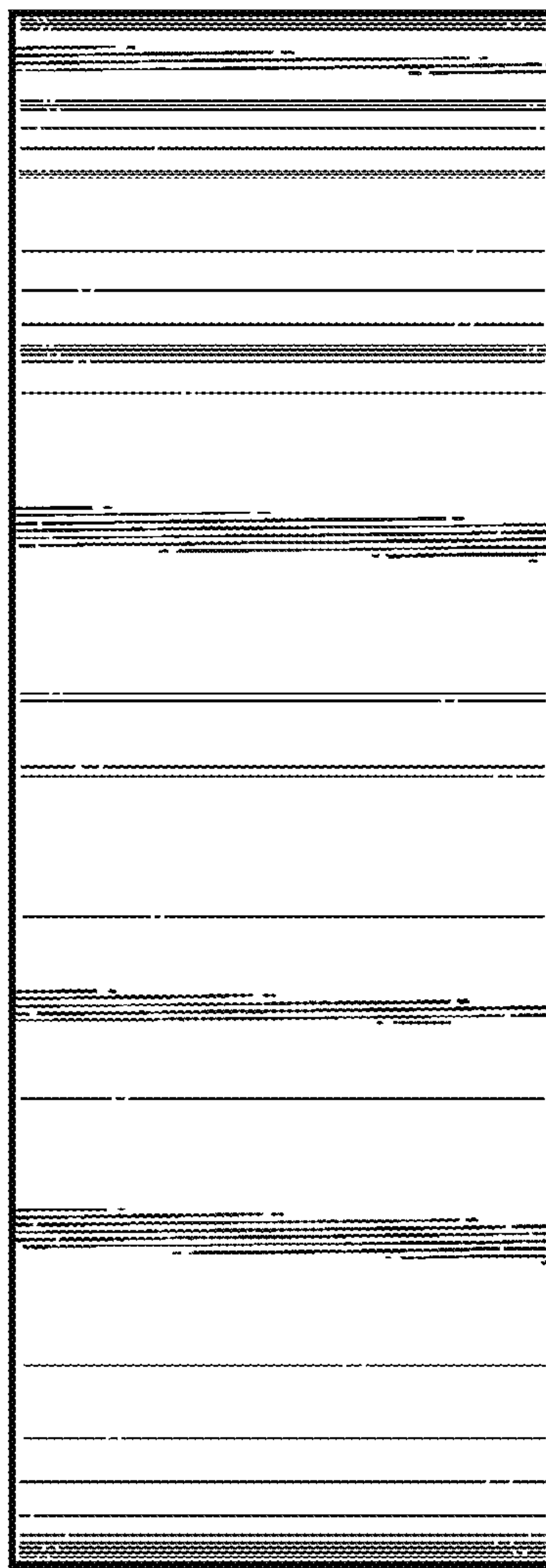


FIG. 4.

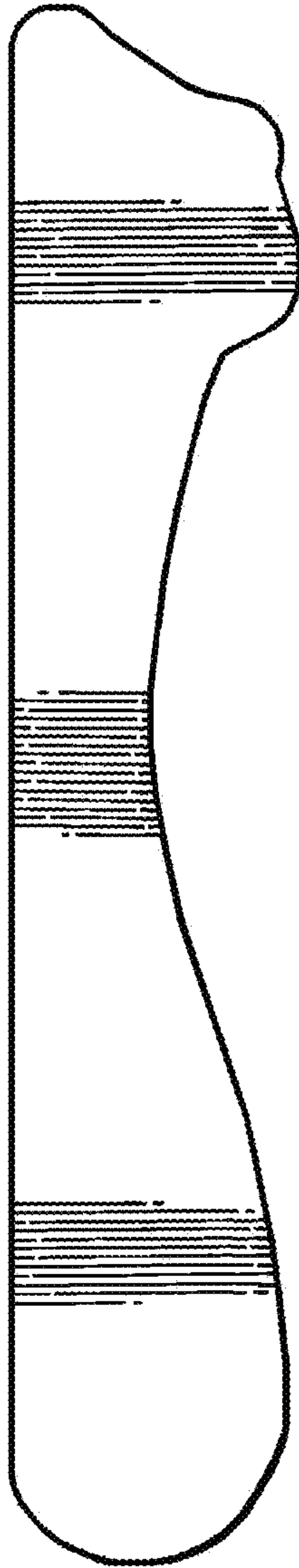


FIG. 5.

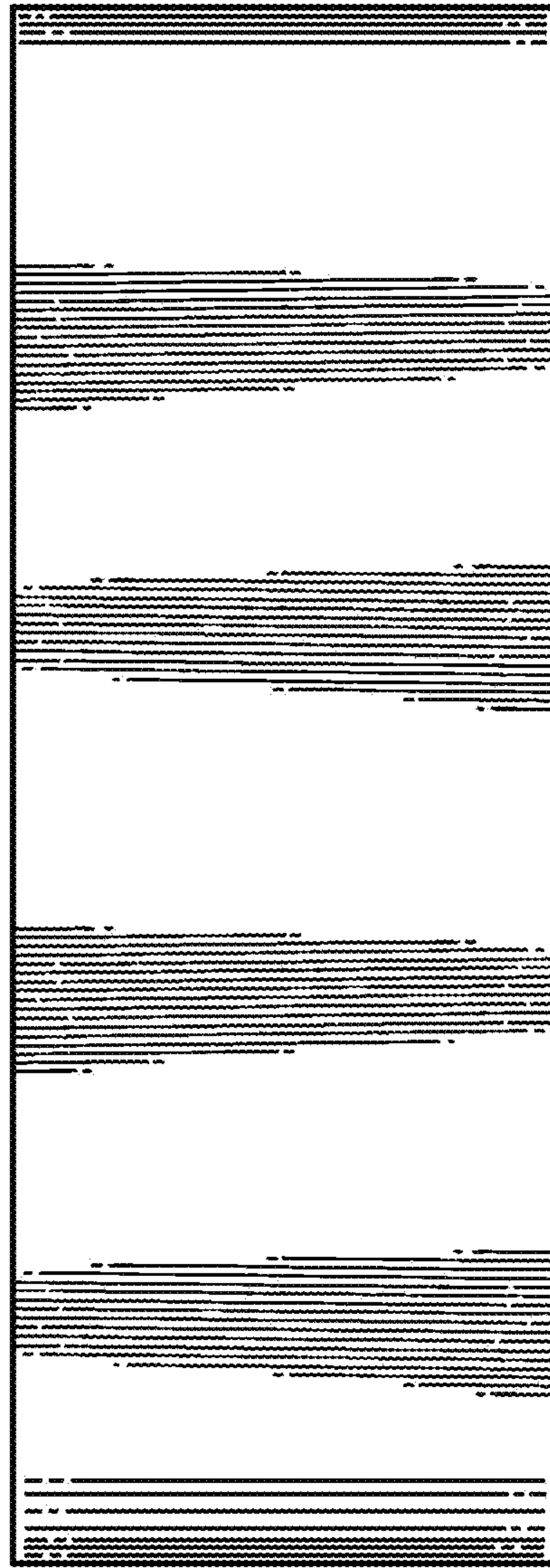


FIG. 6.

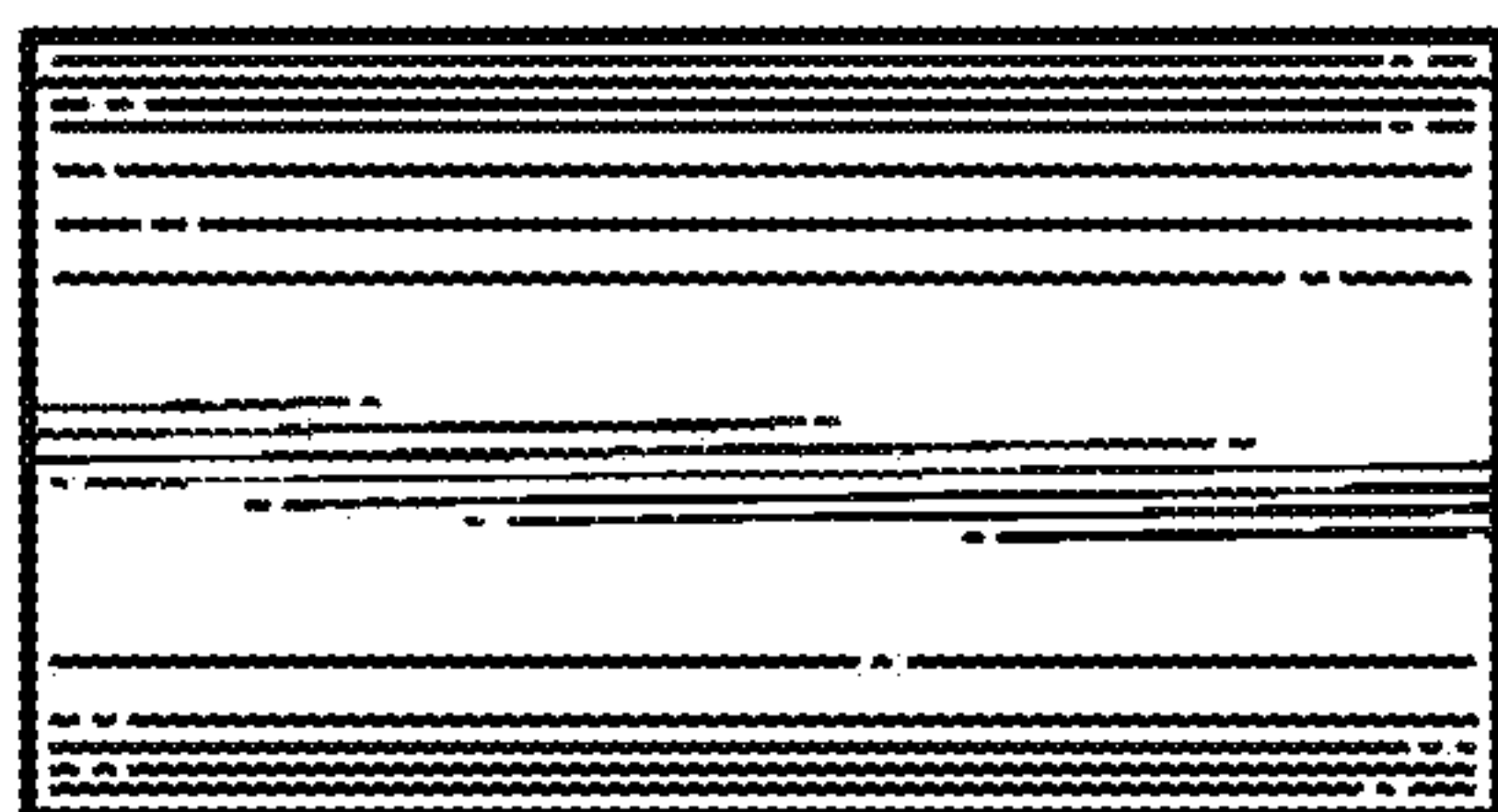


FIG. 7.

