



US00D681992S

(12) **United States Design Patent**
Ng

(10) **Patent No.:** **US D681,992 S**
(45) **Date of Patent:** **** May 14, 2013**

(54) **ROLLER TUBE FOR A ROLLER BLIND**

(76) Inventor: **Philip Ng**, Thornhill (CA)

(**) Term: **14 Years**

(21) Appl. No.: **29/423,372**

(22) Filed: **May 31, 2012**

(51) **LOC (9) Cl.** **06-10**

(52) **U.S. Cl.**
USPC **D6/580**

(58) **Field of Classification Search** D6/575-581;
D5/64, 66; D8/323, 349, 353, 368, 369, 376,
D8/377, 382; 160/84.01-84.08, 111, 115,
160/130, 168.1 R, 199, 331, 332
See application file for complete search history.

(56) **References Cited**

U.S. PATENT DOCUMENTS

D324,645	S *	3/1992	Magro et al.	D8/380
D337,257	S *	7/1993	Danieli	D8/376
6,237,667	B1 *	5/2001	Fraczek et al.	160/121.1
D473,663	S *	4/2003	Chou	D25/122
6,904,948	B2 *	6/2005	Auger et al.	160/121.1
6,935,398	B2 *	8/2005	Koot et al.	160/84.06
7,143,802	B2 *	12/2006	Strand et al.	160/84.04
D558,569	S *	1/2008	Hanley	D8/400
D611,013	S *	3/2010	Takahashi	D13/182

8,127,821	B2 *	3/2012	Hsu et al.	160/84.01
8,267,145	B2 *	9/2012	Fraser et al.	160/115
2005/0115683	A1 *	6/2005	Ng et al.	160/84.04
2012/0061040	A1 *	3/2012	Licciardi Di Stefano	160/368.1

* cited by examiner

Primary Examiner — Karen S Acker

(74) *Attorney, Agent, or Firm* — Elias Borges

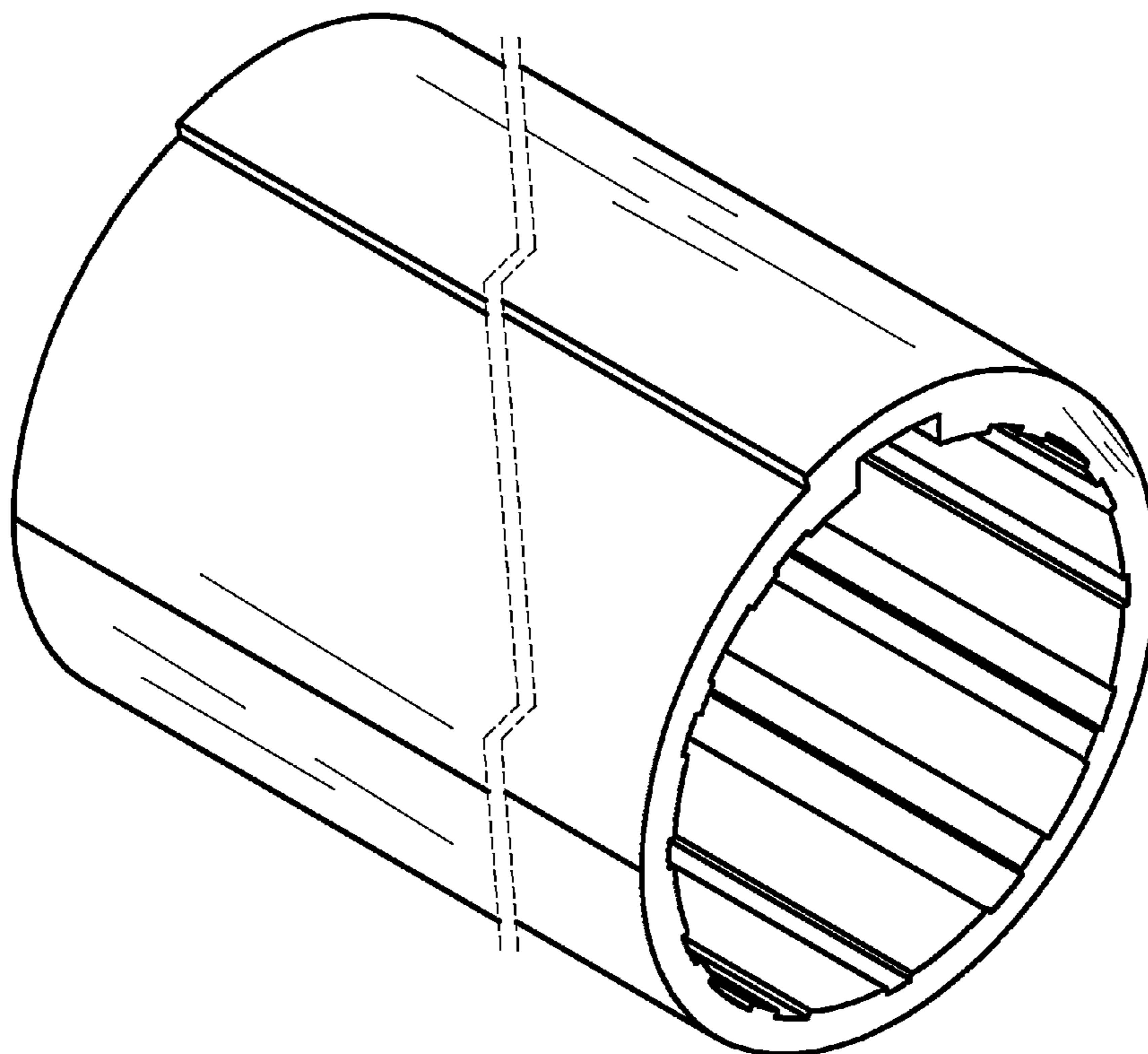
(57) **CLAIM**

The ornamental design for a roller tube for a roller blind, as shown and described.

DESCRIPTION

FIG. 1 is a perspective view of the roller tube for a roller blind. FIG. 2 is a front side view of the roller tube for a roller blind. FIG. 3 is a right side view of the roller tube for a roller blind. FIG. 4 is a left side view of the roller tube for a roller blind. FIG. 5 is a top view of the roller tube for a roller blind. FIG. 6 is a bottom view of the roller tube for a roller blind; and, FIG. 7 is a back view of the roller tube for a roller blind. The broken lines and the spaces therein represent environmental subject matter that forms no part of the claimed design.

1 Claim, 7 Drawing Sheets



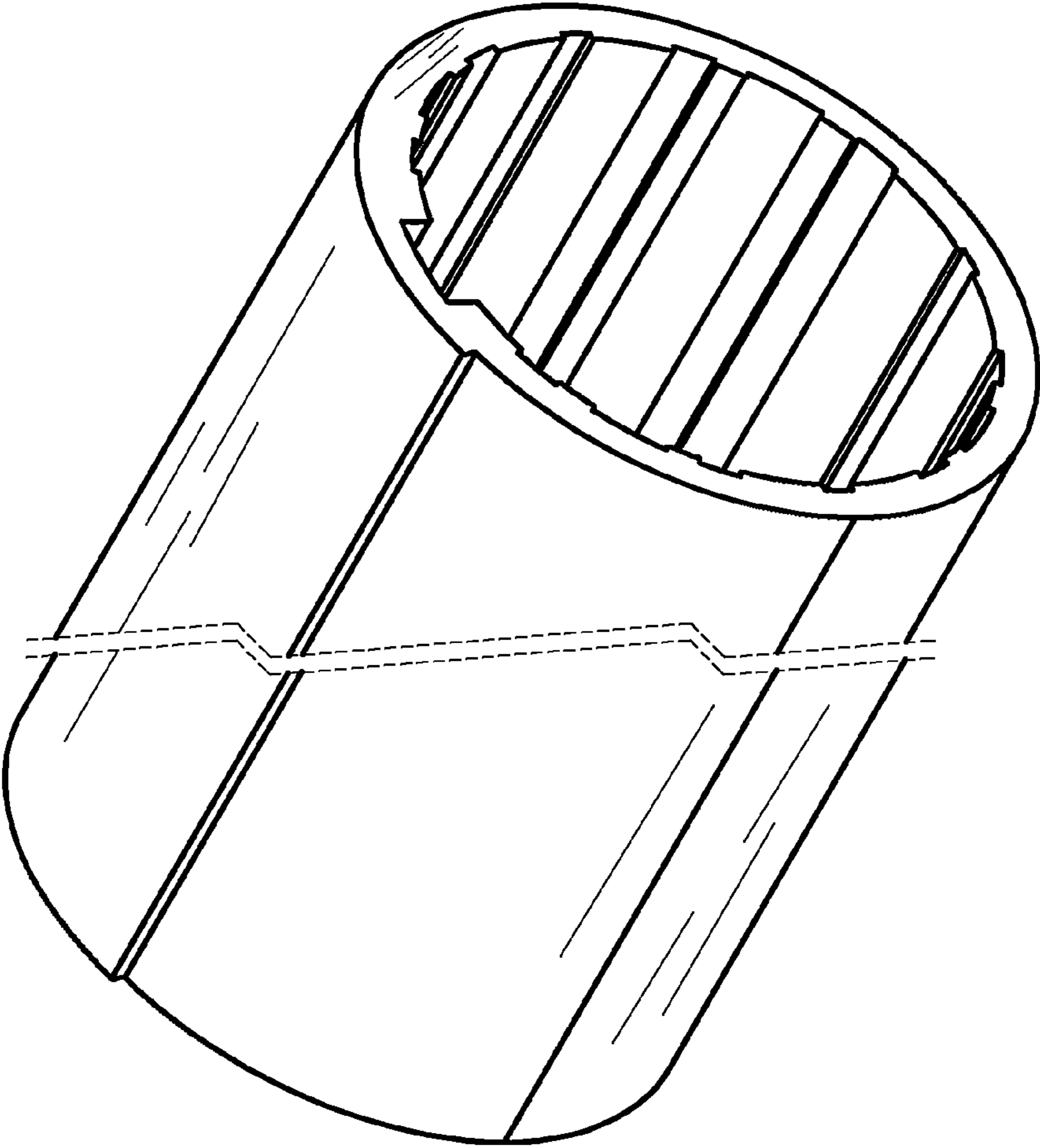


FIG. 1

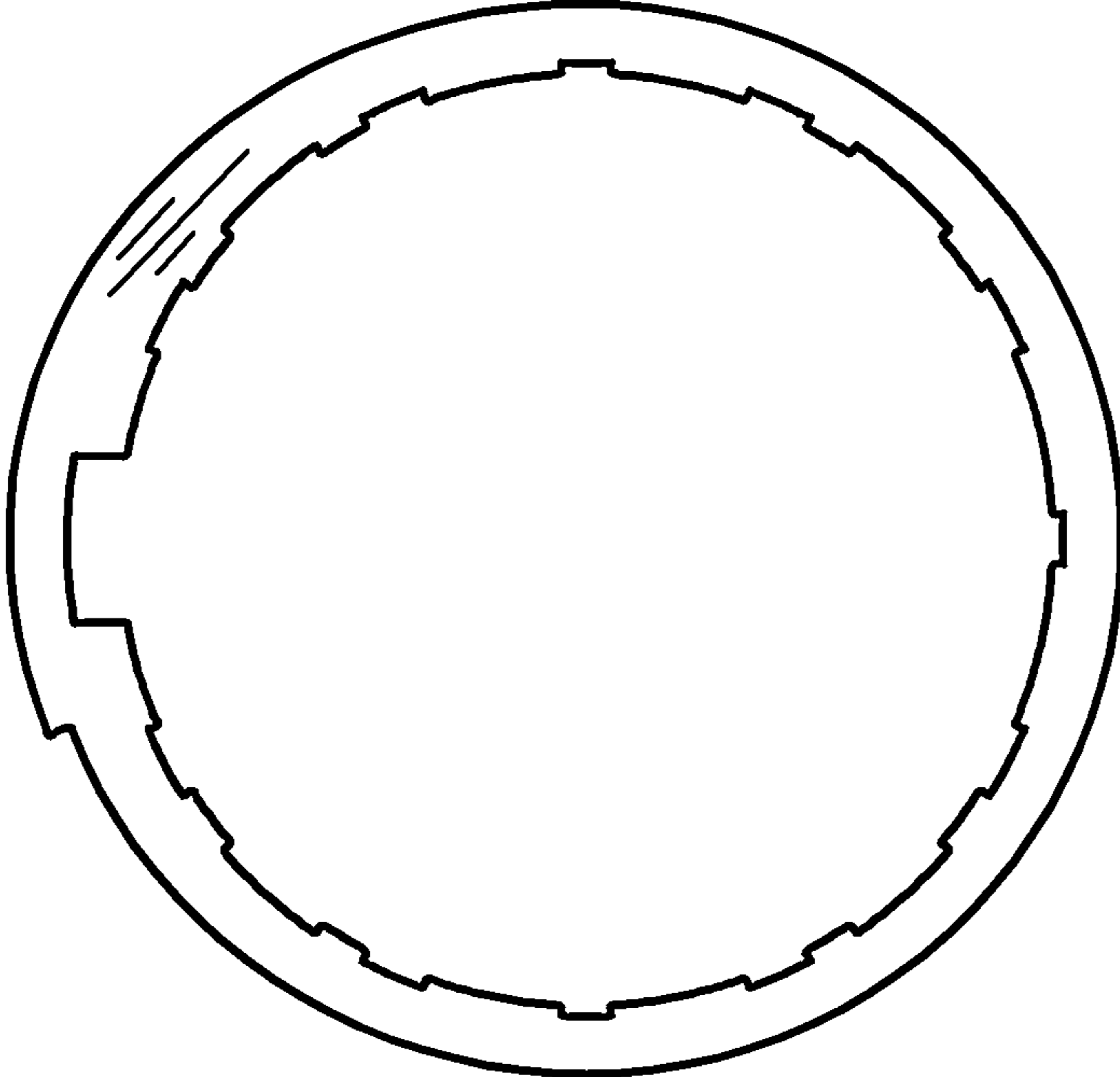


FIG. 2

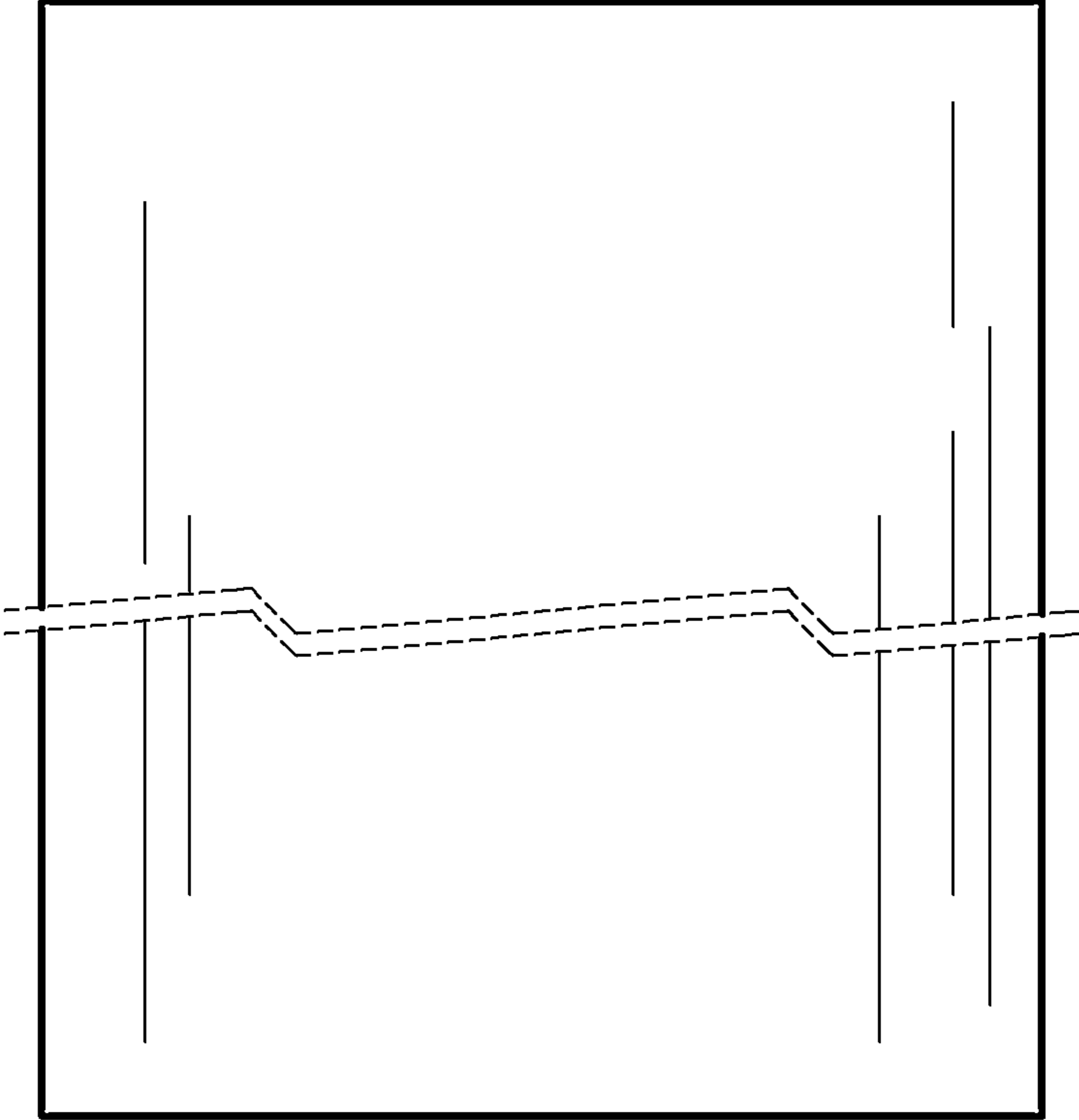


FIG. 3

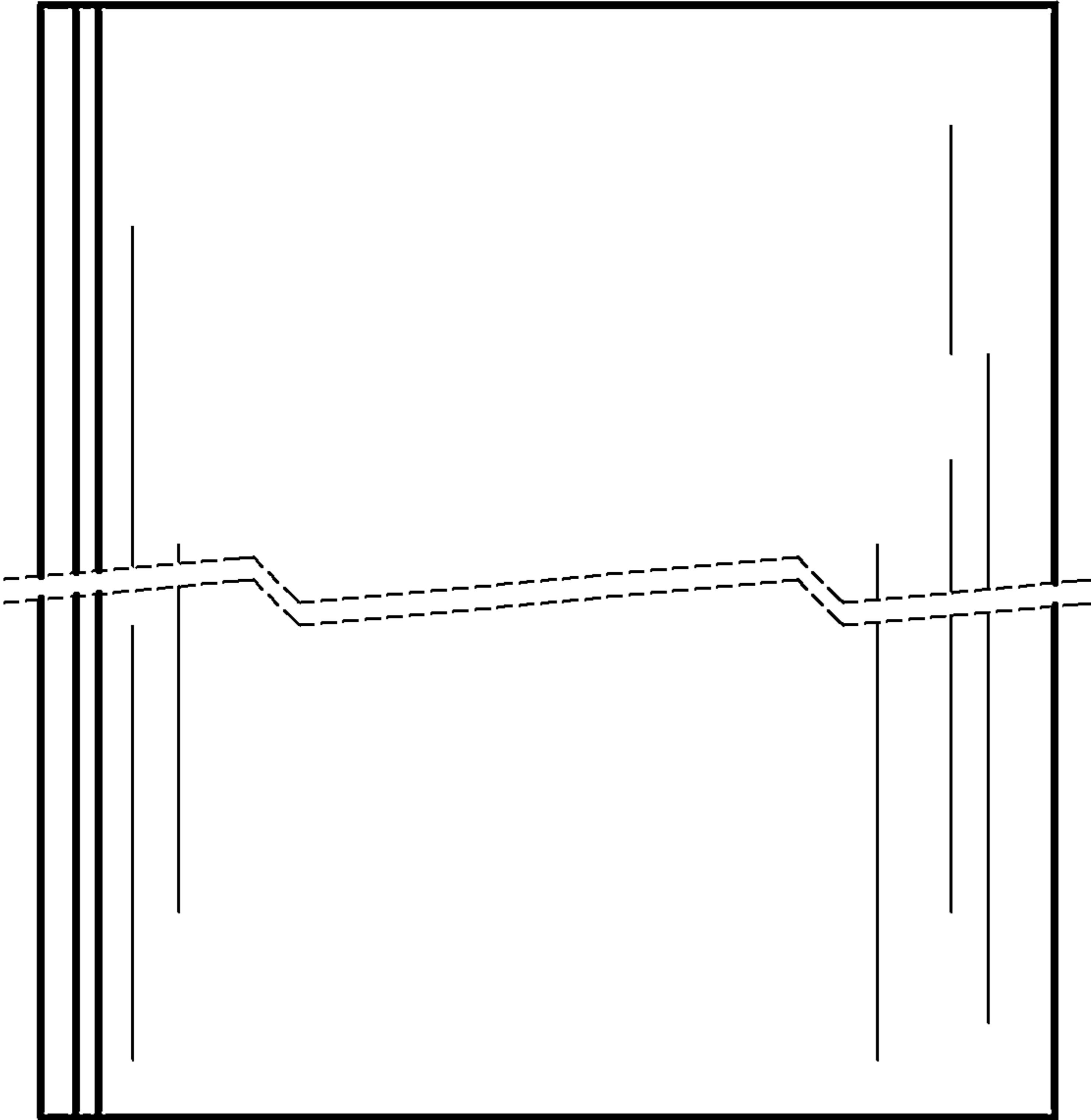


FIG. 4

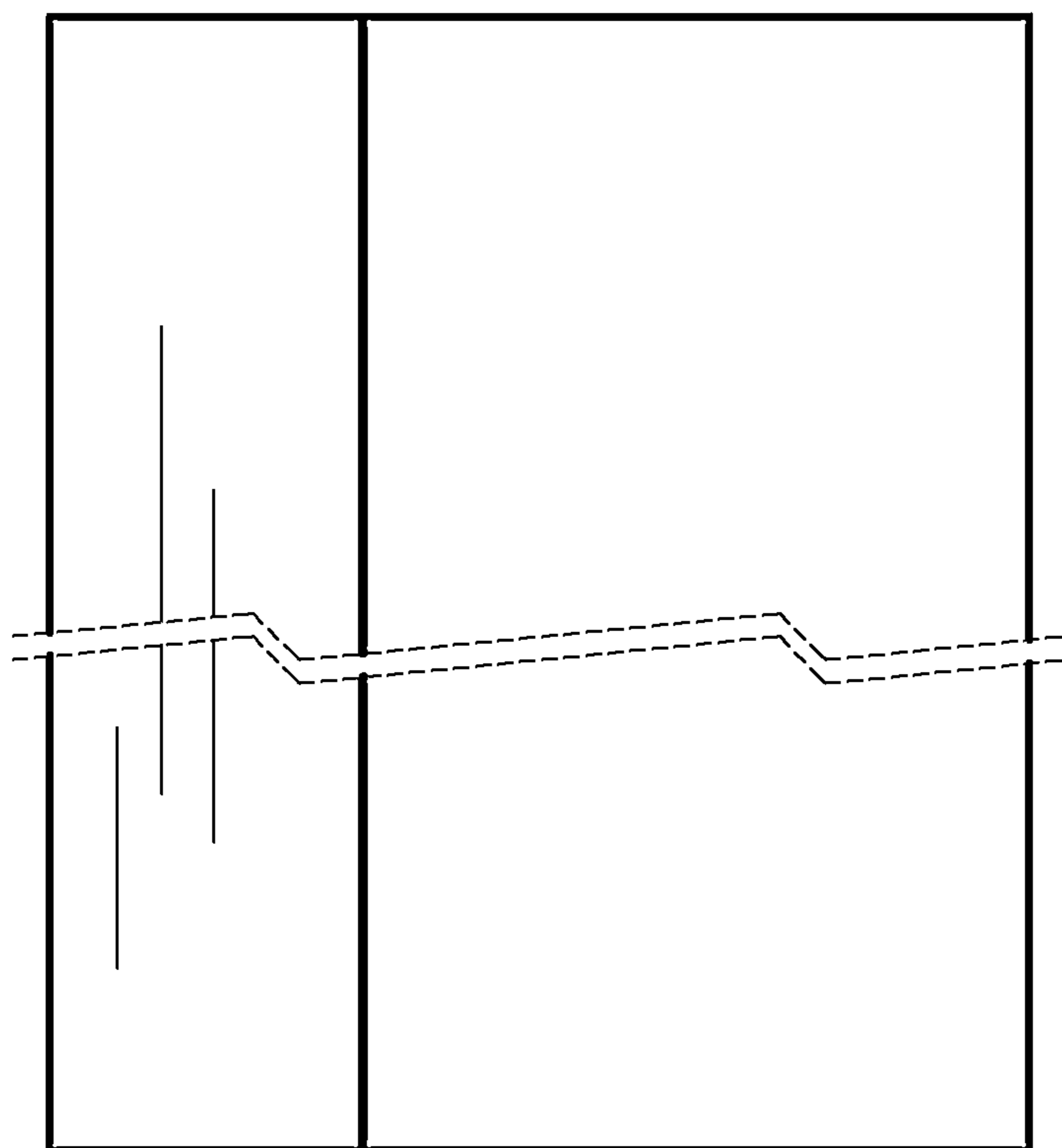


FIG. 5

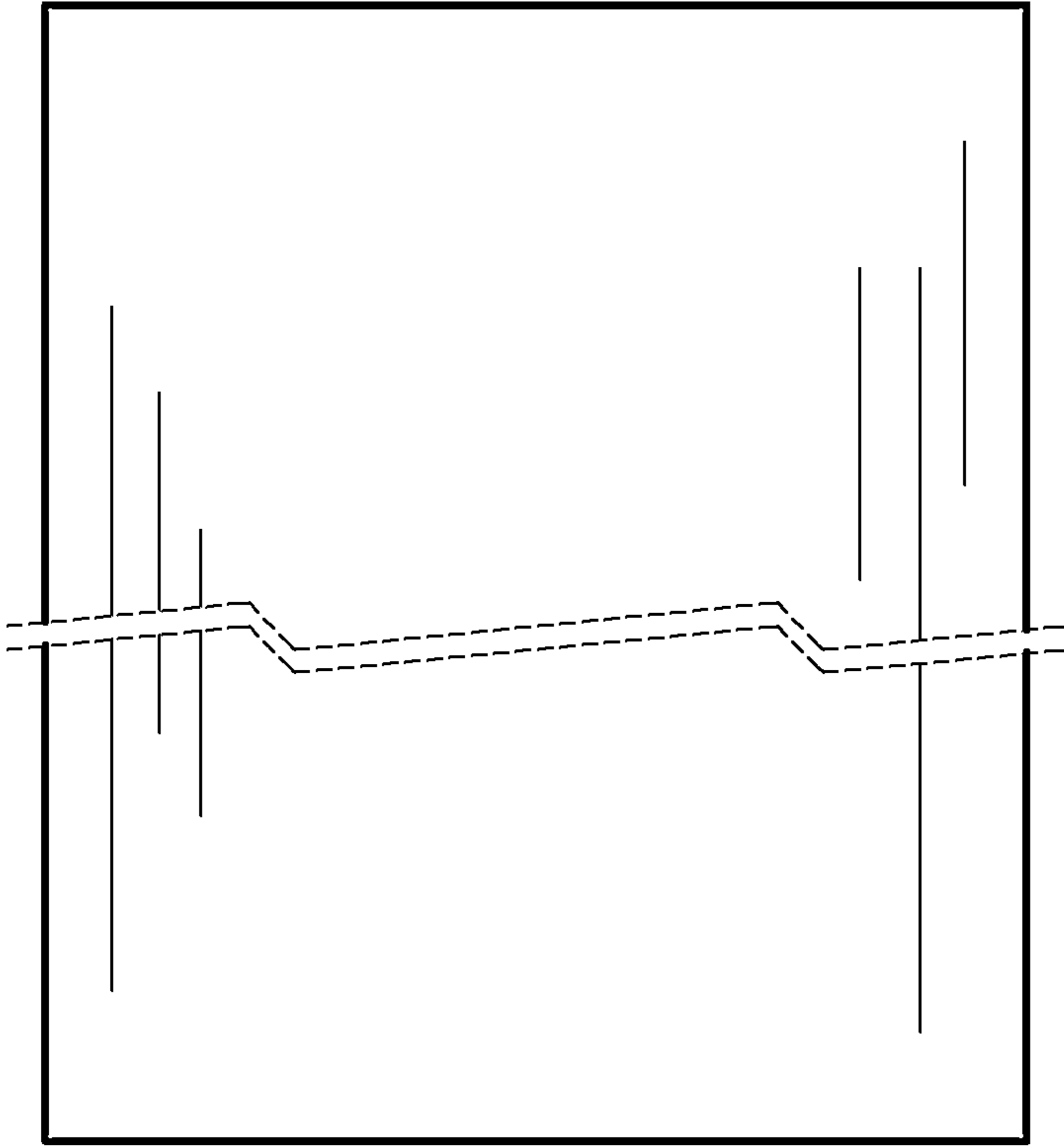


FIG. 6

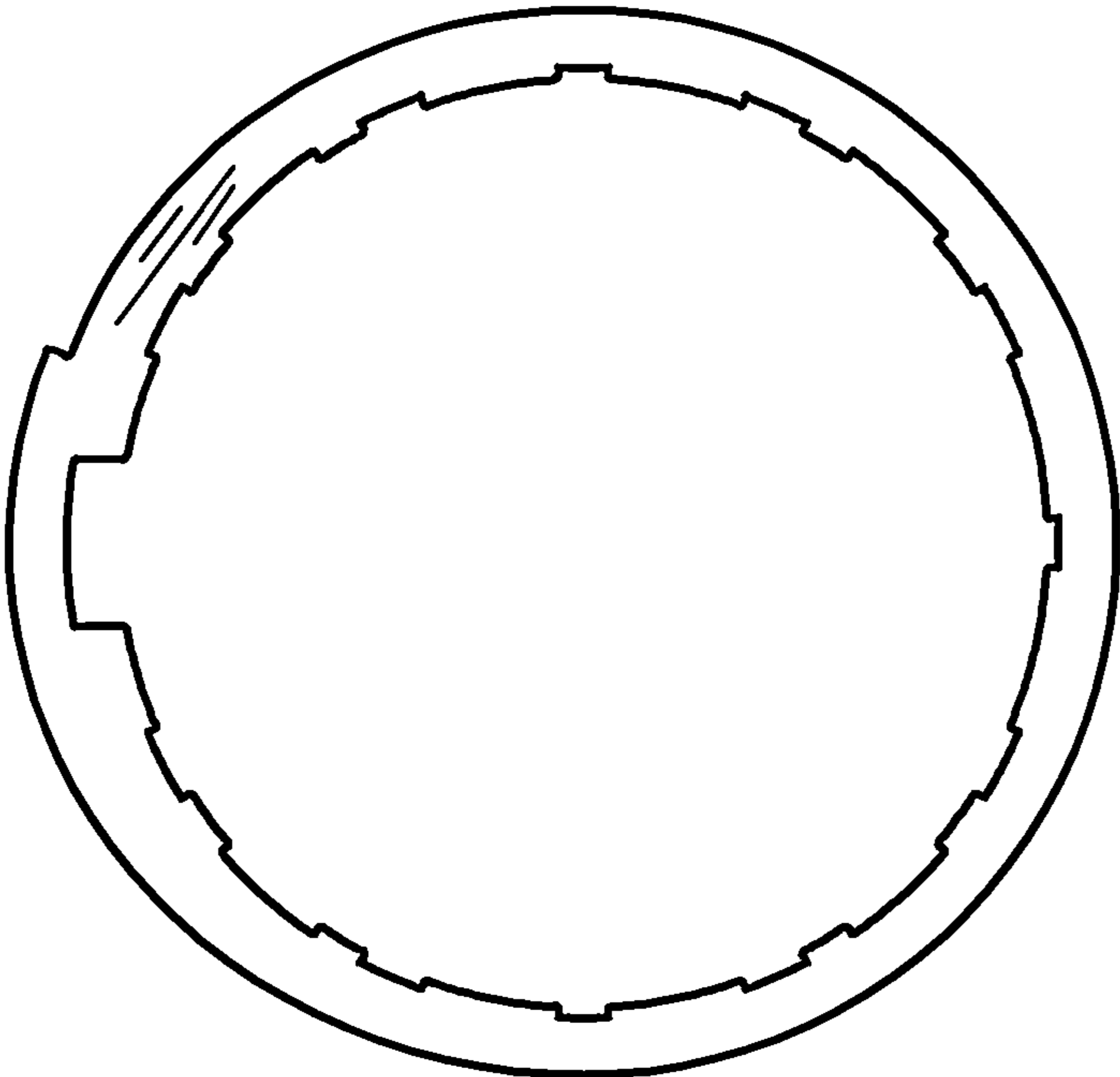


FIG. 7