



US00D681991S

(12) **United States Design Patent**  
**Willins**

(10) **Patent No.:** **US D681,991 S**

(45) **Date of Patent:** **\*\* May 14, 2013**

(54) **BAT CADDY**

(71) Applicant: **Michael S. Willins**, Highland Heights, OH (US)

(72) Inventor: **Michael S. Willins**, Highland Heights, OH (US)

(\*\*) Term: **14 Years**

(21) Appl. No.: **29/436,457**

(22) Filed: **Nov. 6, 2012**

(51) **LOC (9) Cl.** ..... **08-08**

(52) **U.S. Cl.**  
USPC ..... **D6/552**

(58) **Field of Classification Search** ..... D6/329,  
D6/396, 417, 552, 553, 567; D21/385, 662,  
D21/698; 211/13.1, 49.1, 60.1, 64, 70.5,  
211/86.01, 87.01, 88.01, 89.01, 181.1; 248/560,  
248/121, 175, 200, 302, 304, 309.1, 310,  
248/312

See application file for complete search history.

(56) **References Cited**

U.S. PATENT DOCUMENTS

3,698,563	A	10/1972	Gordon et al.	.....	211/13
4,049,126	A *	9/1977	Halverson	.....	211/60.1
D286,119	S *	10/1986	Enquist	.....	D6/552
4,629,065	A	12/1986	Braaten	.....	206/315.1
D356,002	S *	3/1995	Morgan	.....	D6/552
5,626,244	A *	5/1997	Mesna et al.	.....	211/60.1
5,690,235	A *	11/1997	Matzen	.....	211/60.1
5,823,360	A	10/1998	Gorosave	.....	211/13.1
D404,952	S *	2/1999	Bauer	.....	D6/552
6,053,340	A	4/2000	Cameron	.....	211/85.7
D451,741	S *	12/2001	Norn	.....	D6/552
6,749,074	B1	6/2004	Hileman et al.	.....	211/85.7
D493,056	S *	7/2004	Shornak	.....	D6/552
7,273,153	B1	9/2007	Kuniyoshi	.....	211/85.7
D560,088	S *	1/2008	Tracy	.....	D6/552
D609,080	S *	2/2010	Schorn	.....	D6/552
D625,539	S *	10/2010	Kolada et al.	.....	D6/552

OTHER PUBLICATIONS

One (1) page printout from batracks.com showing: "Dugout Caddy", copyright date 2005.

Three (3) page printout from amazon.com showing: "S&S Worldwide Bat and Ball Caddy", copyright date 1996-2012.

Two (2) page printout from anthem-sports.com showing: "Dug-out Organizer Equipment Rack, 1148954", copyright date 2012.

Two (2) page printout from dugoutmanager.com showing: "DOM Dugout Manager", copyright date 2006-2012.

Two (2) page printout from globalindustrial.com showing: "Small Baseball Rack", copyright date 2012.

Four (4) page printout from amazon.com showing: "Mini Pro Locker—Baseball softball Equipment Bag Organizer—Glove Helmet Bat Glove Mitt", copyright date 1996-2012—with a customer review on the product dated Feb. 21, 2010.

\* cited by examiner

*Primary Examiner* — Brian N Vinson

(74) *Attorney, Agent, or Firm* — Blake P. Hart

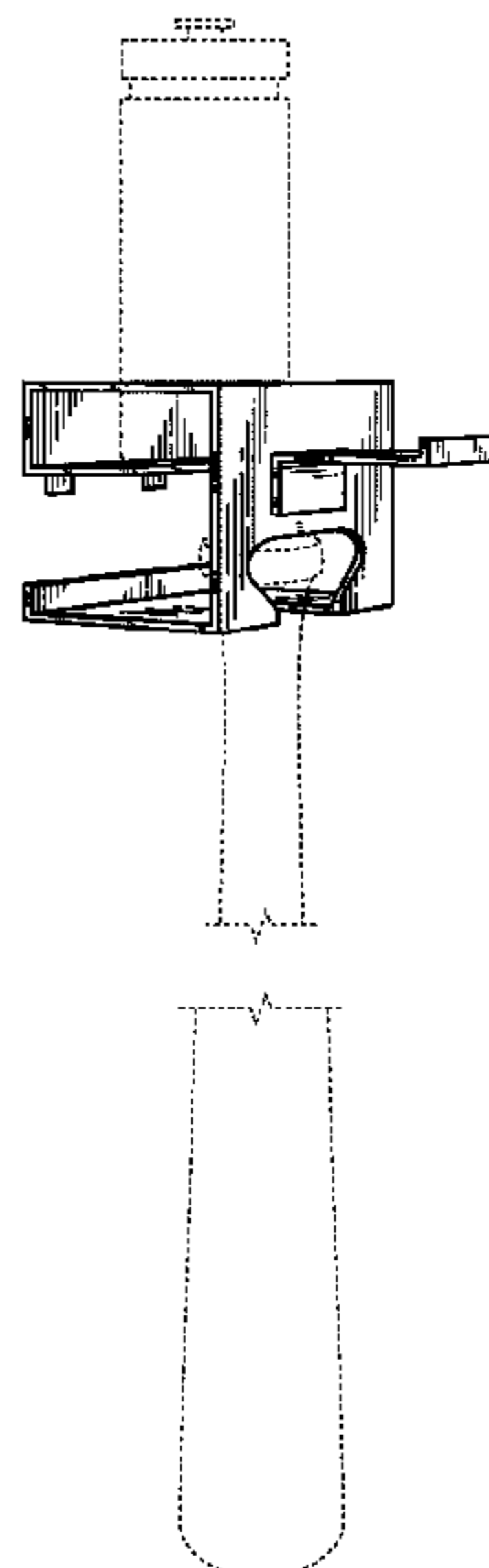
(57) **CLAIM**

The ornamental design for a bat caddy, as shown and described.

**DESCRIPTION**

FIG. 1 is an enlarged top, front, left side perspective view of a bat caddy showing my new design; FIG. 2 is a top plan view thereof; FIG. 3 is a bottom plan view thereof; FIG. 4 is a front elevational view thereof; FIG. 5 is a rear elevational view thereof; and, FIG. 6 is a left side elevational view thereof, the right side elevational view being a mirror image thereof. The baseball bat and ball holder shown in dashed lines in FIG. 1 is included for the purpose of illustrating environment and forms no part of the claimed design.

**1 Claim, 2 Drawing Sheets**



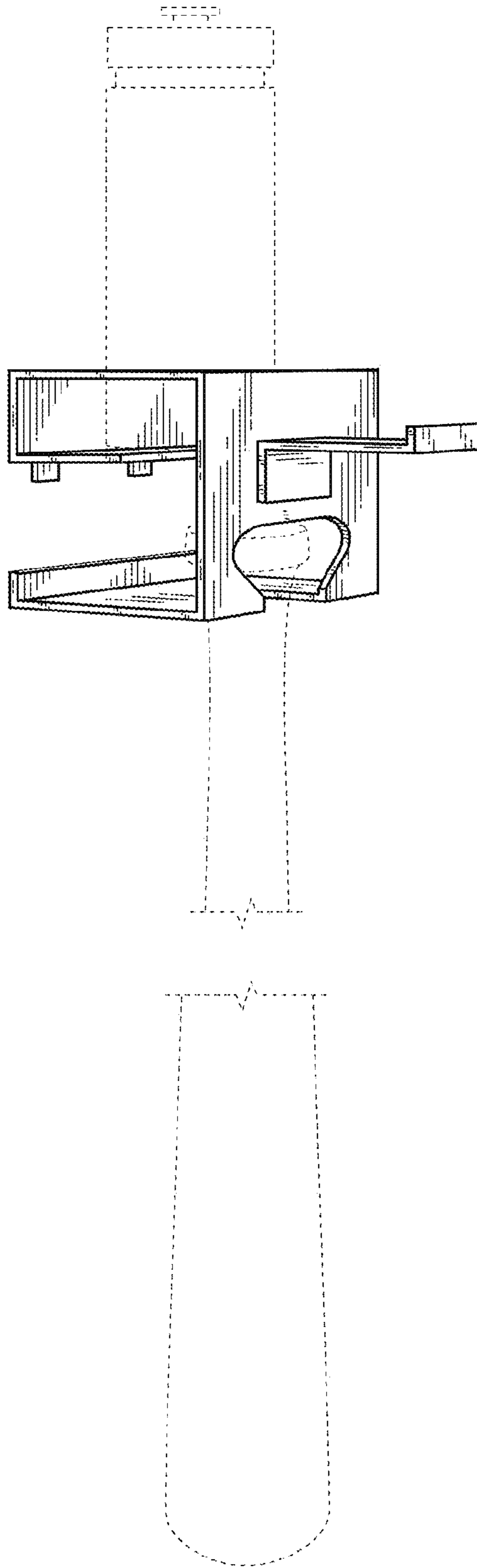


Fig. 1

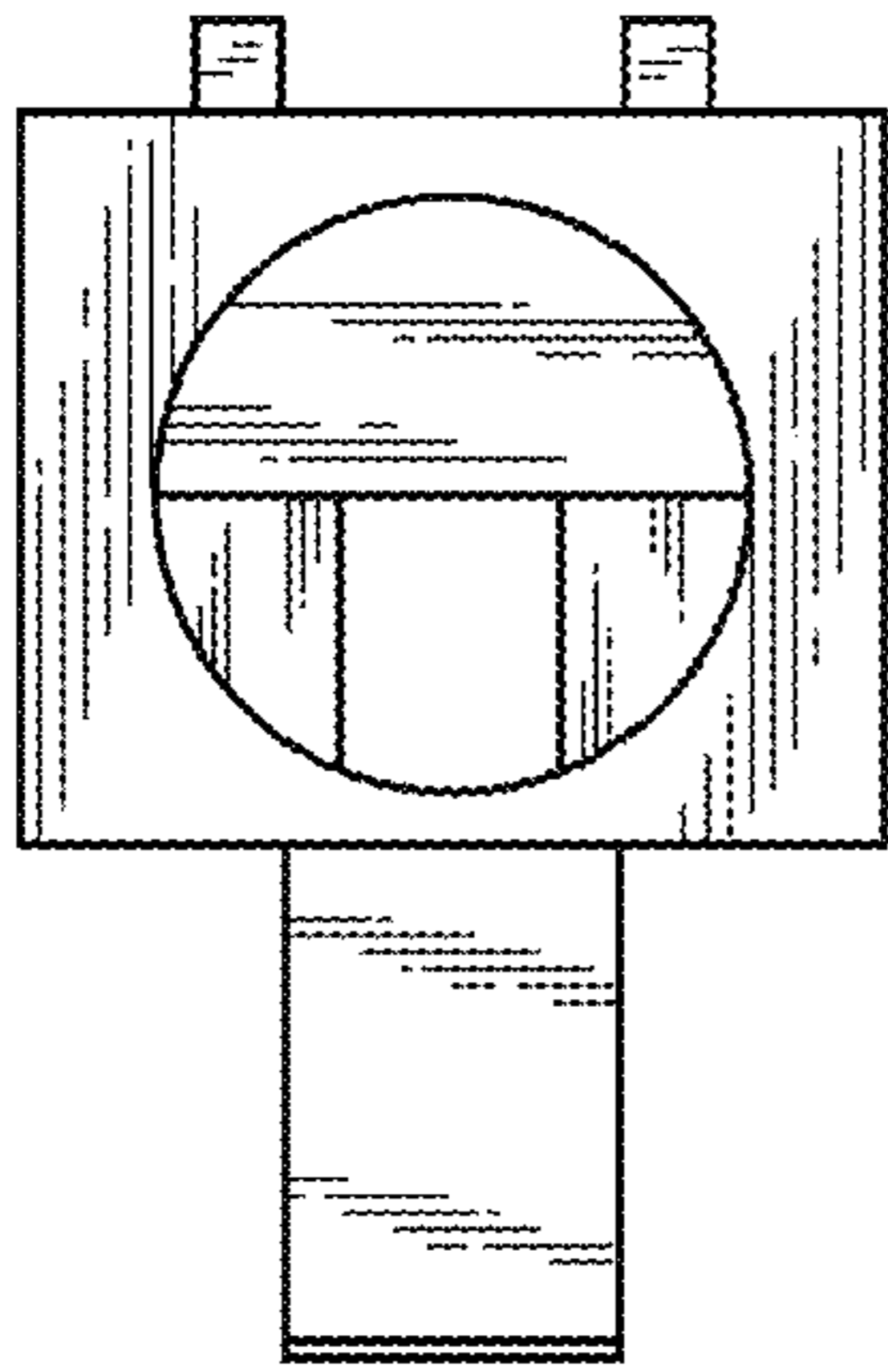


Fig. 2

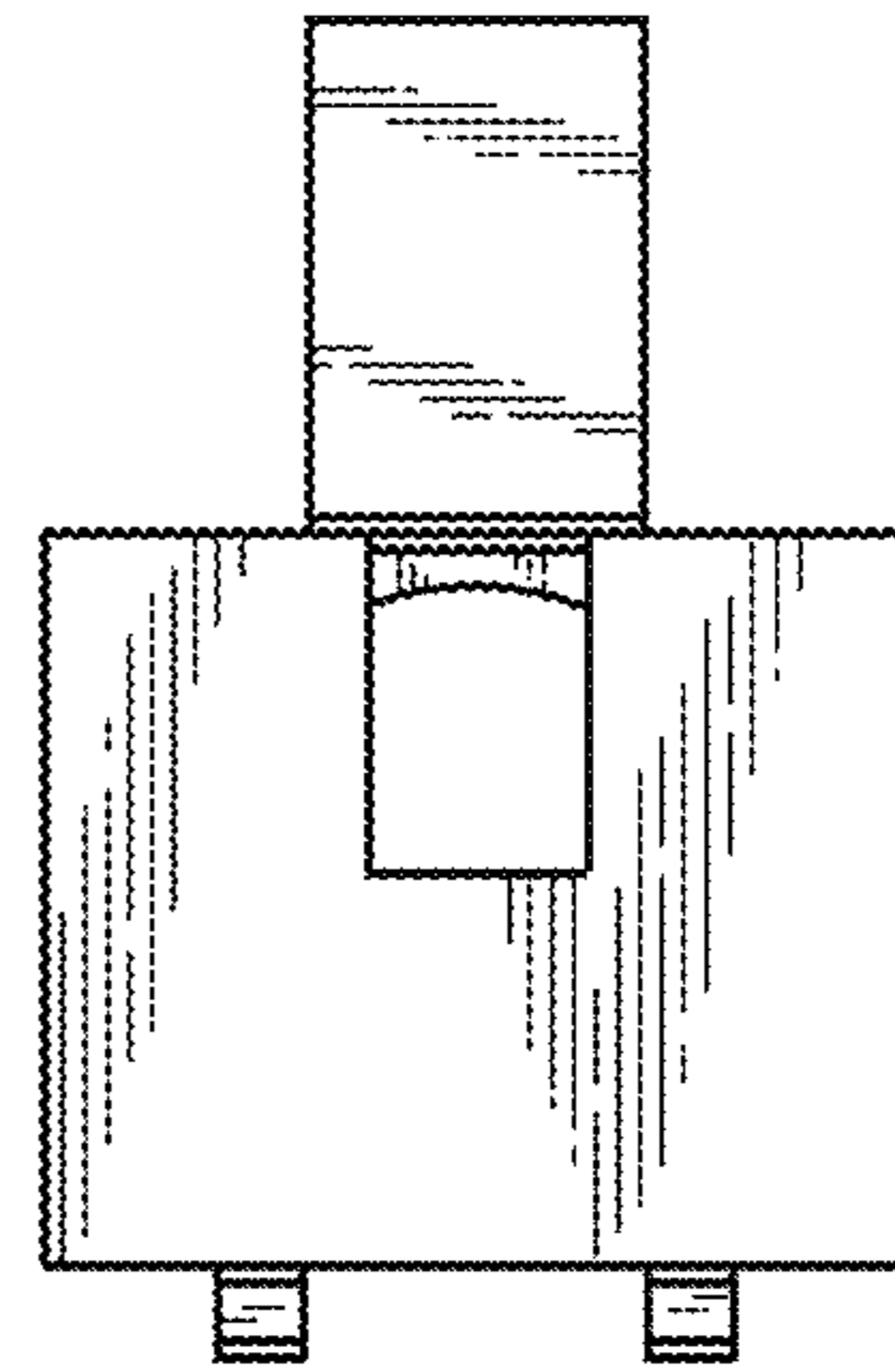


Fig. 3

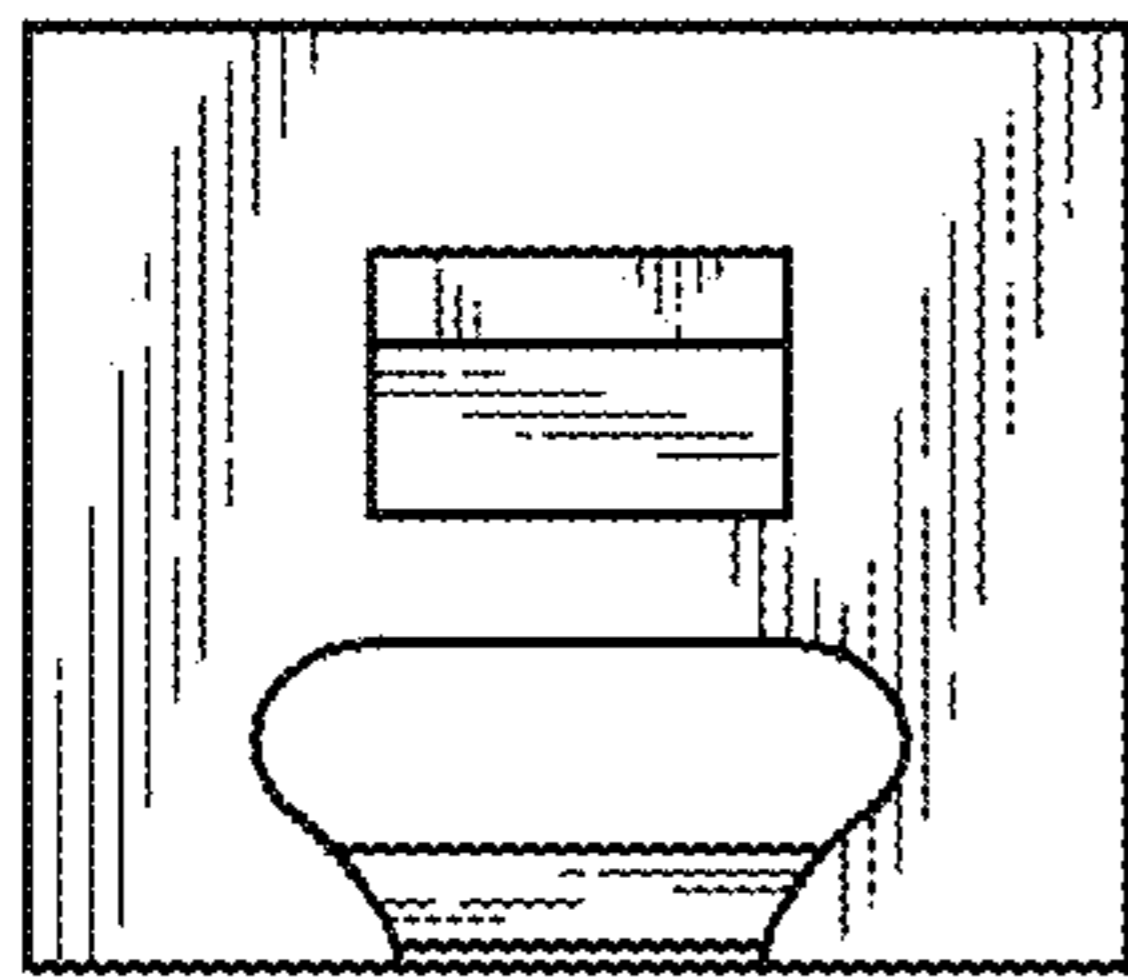


Fig. 4

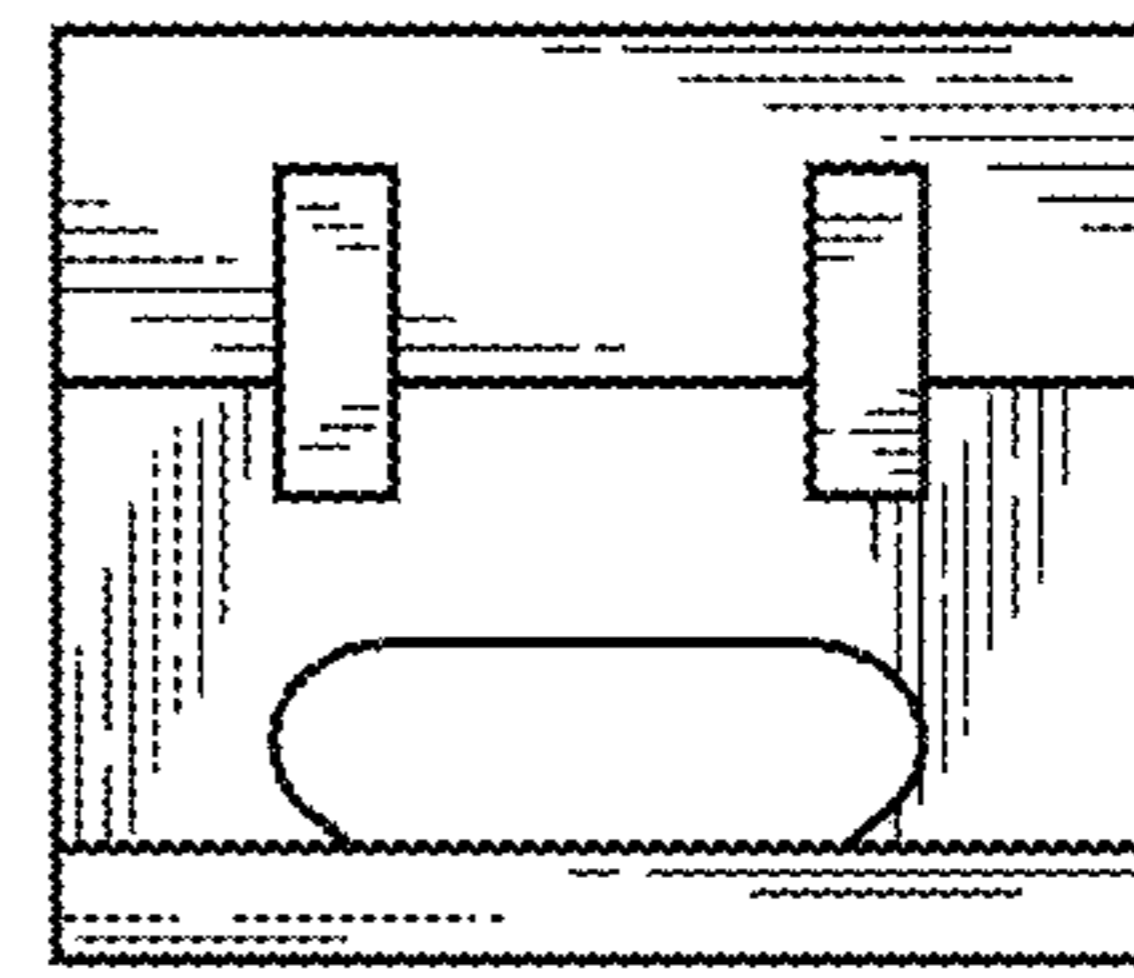


Fig. 5

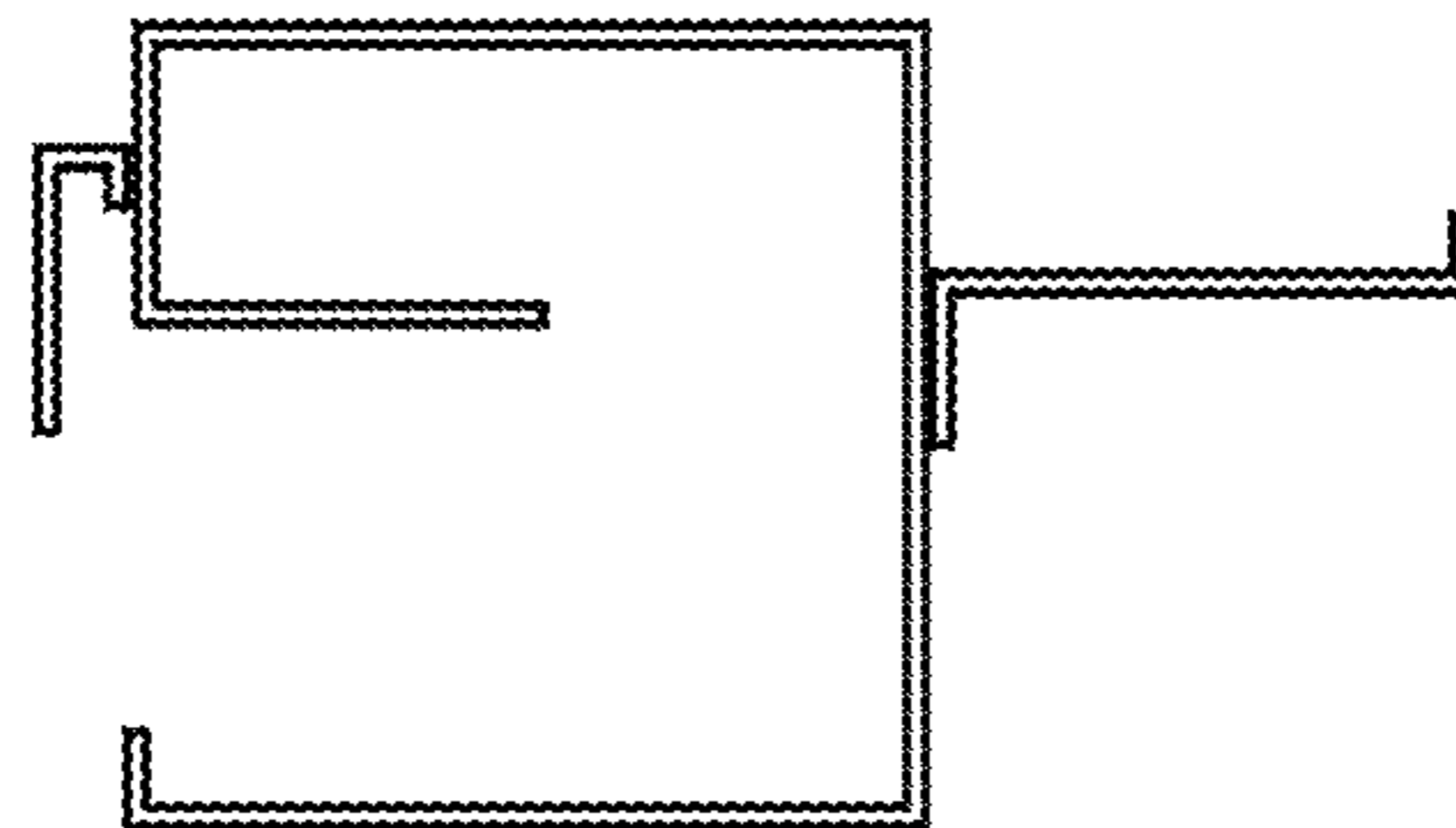


Fig. 6