



US00D681990S

(12) **United States Design Patent**
Angstead

(10) **Patent No.:** **US D681,990 S**

(45) **Date of Patent:** **** May 14, 2013**

(54) **GOLF BALL PYRAMID STAND**
(75) Inventor: **Ronald A Angstead**, Longmont, CO
(US)
(73) Assignee: **Rapid Pro Manufacturing Corp.**,
Longmont, CO (US)

D405,293 S * 2/1999 Tate D6/552
5,984,112 A * 11/1999 Adams 211/14
D421,865 S * 3/2000 Chen D6/552
D422,439 S * 4/2000 Chen D6/552
D472,752 S * 4/2003 Medendorp D6/552
D493,055 S * 7/2004 Ferretti D6/552
D543,758 S * 6/2007 Olivera D6/552

* cited by examiner

(**) Term: **14 Years**

Primary Examiner — Brian N Vinson

(21) Appl. No.: **29/411,727**

(74) *Attorney, Agent, or Firm* — Patent Law Offices of Rick
Martin, P.C.

(22) Filed: **Jan. 25, 2012**

(51) **LOC (9) Cl.** **08-08**

(57) **CLAIM**

The ornamental design for a golf ball pyramid stand, as shown
and described.

(52) **U.S. Cl.**

USPC **D6/552**

DESCRIPTION

(58) **Field of Classification Search** D6/329,
D6/396, 417, 552, 553, 567; D21/385, 662,
D21/698, 336, 341; 211/13.1, 49.1, 60.1,
211/64, 70.5, 86.01, 87.01, 88.01, 89.01,
211/181.1, 14; 248/560, 121, 175, 200, 302,
248/304, 309.1, 310, 312

See application file for complete search history.

FIG. 1 is a top perspective view of my new design for a golf
ball pyramid stand showing my new design;
FIG. 2 is a top plan view thereof;
FIG. 3 is a bottom plan view thereof;
FIG. 4 is a top plan view thereof;
FIG. 5 is a right side elevation view thereof; and,
FIG. 6 is a bottom perspective view thereof.

The broken lines indicating golf balls are for the purpose of
illustration and form no part of the claimed design.

(56) **References Cited**

U.S. PATENT DOCUMENTS

2,313,473 A * 3/1943 Heacock et al. 273/241
D348,488 S * 7/1994 Overman D21/336

1 Claim, 4 Drawing Sheets

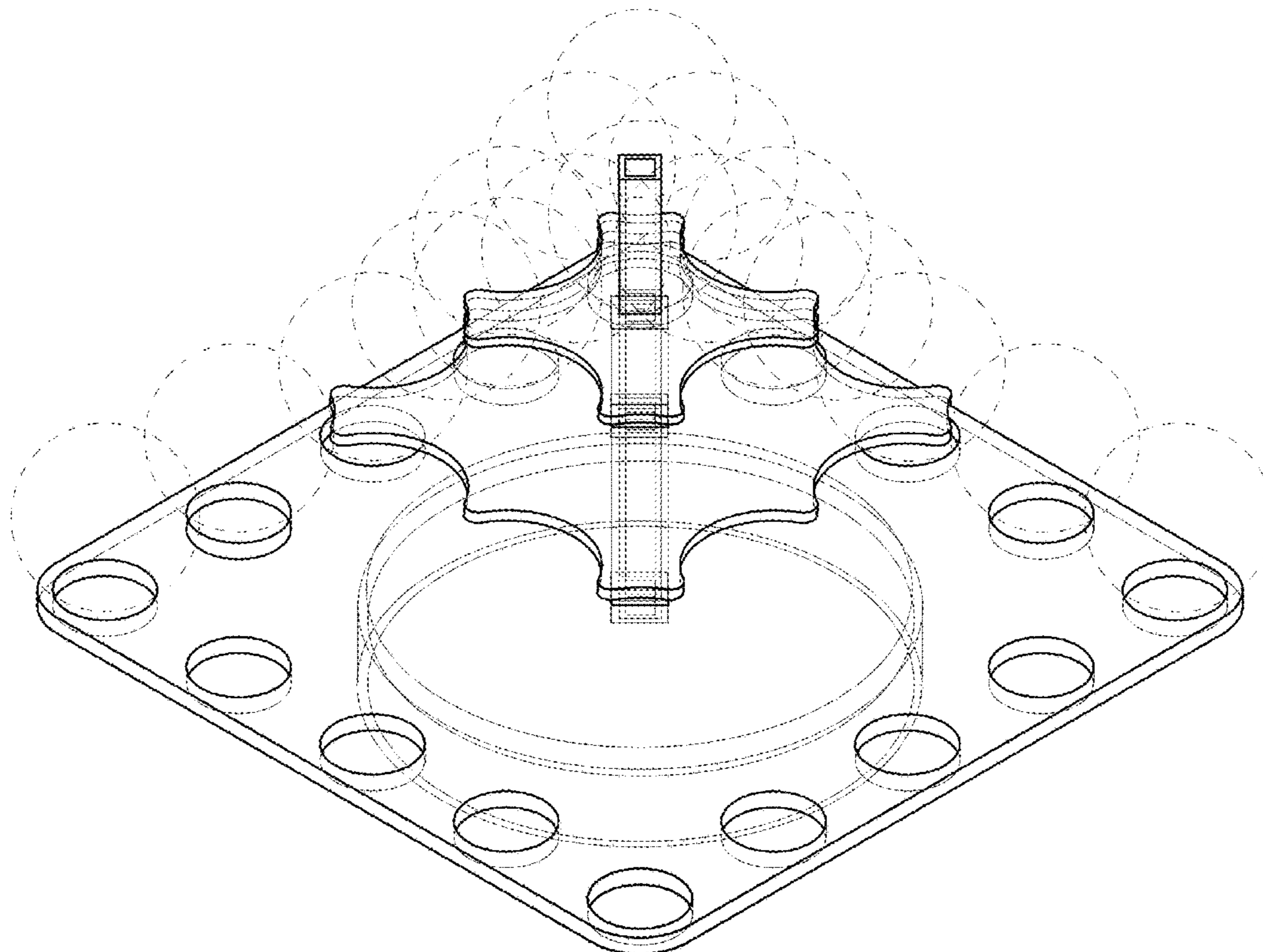


Fig 1

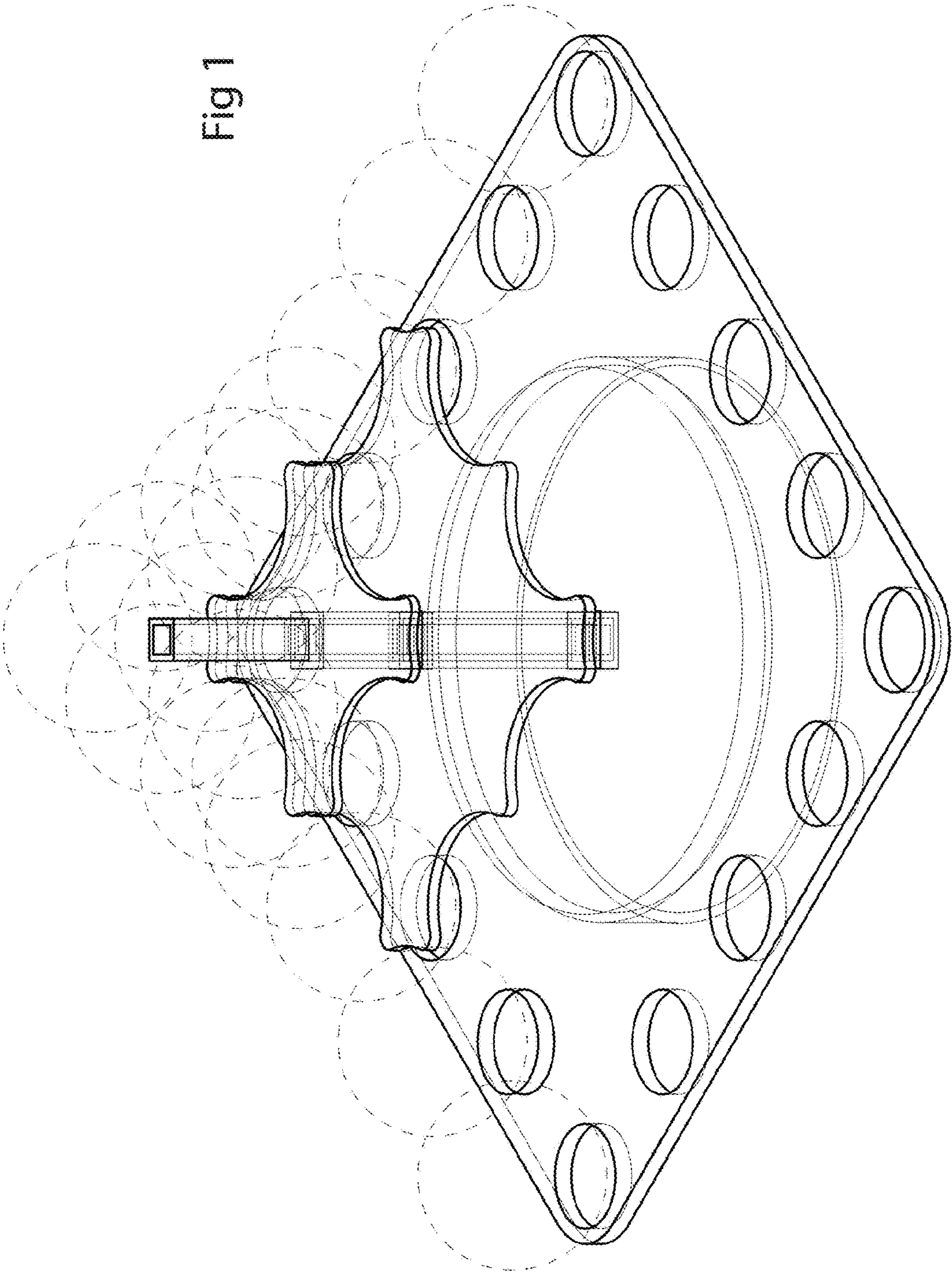


Fig 2

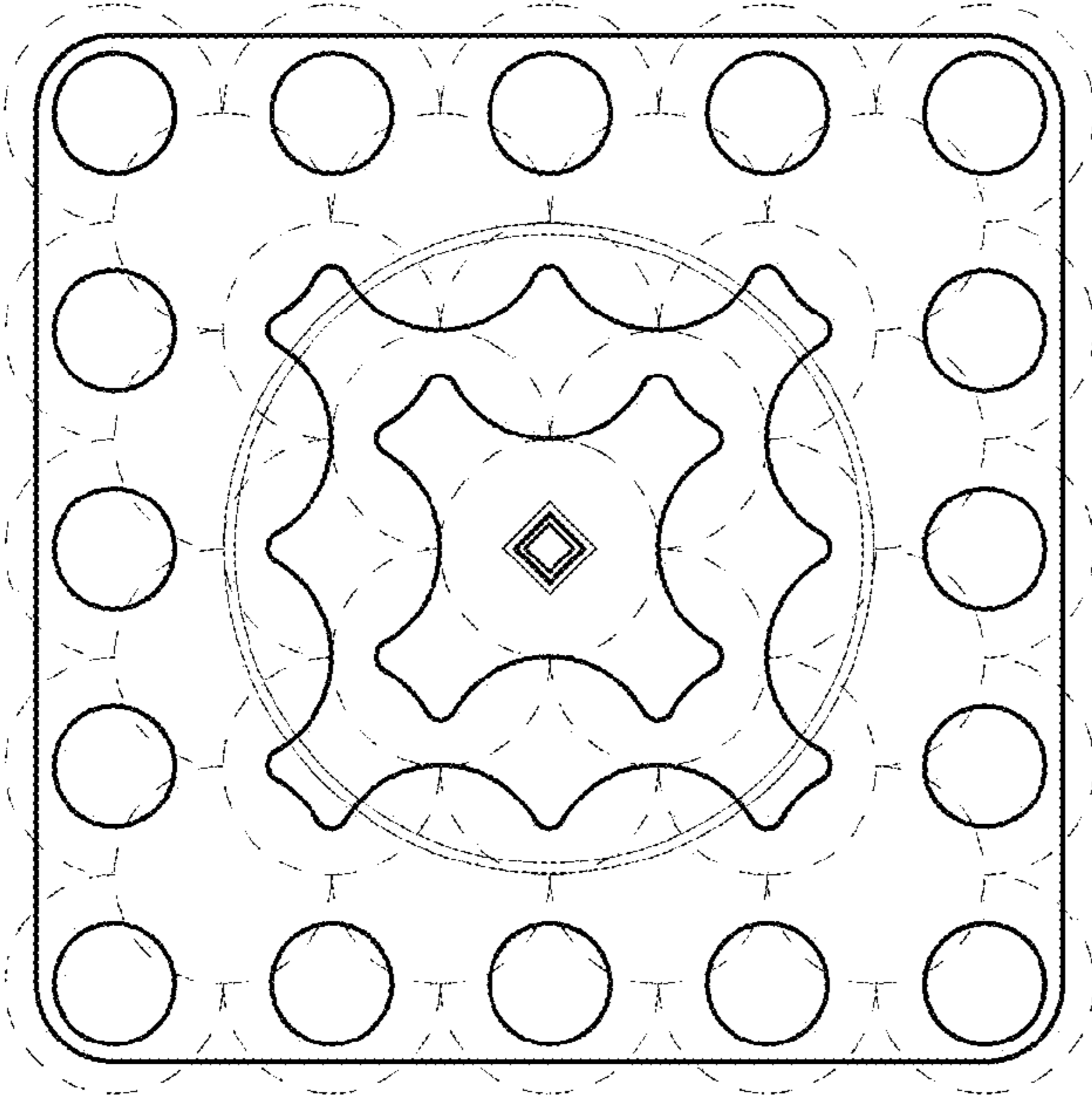


Fig 3

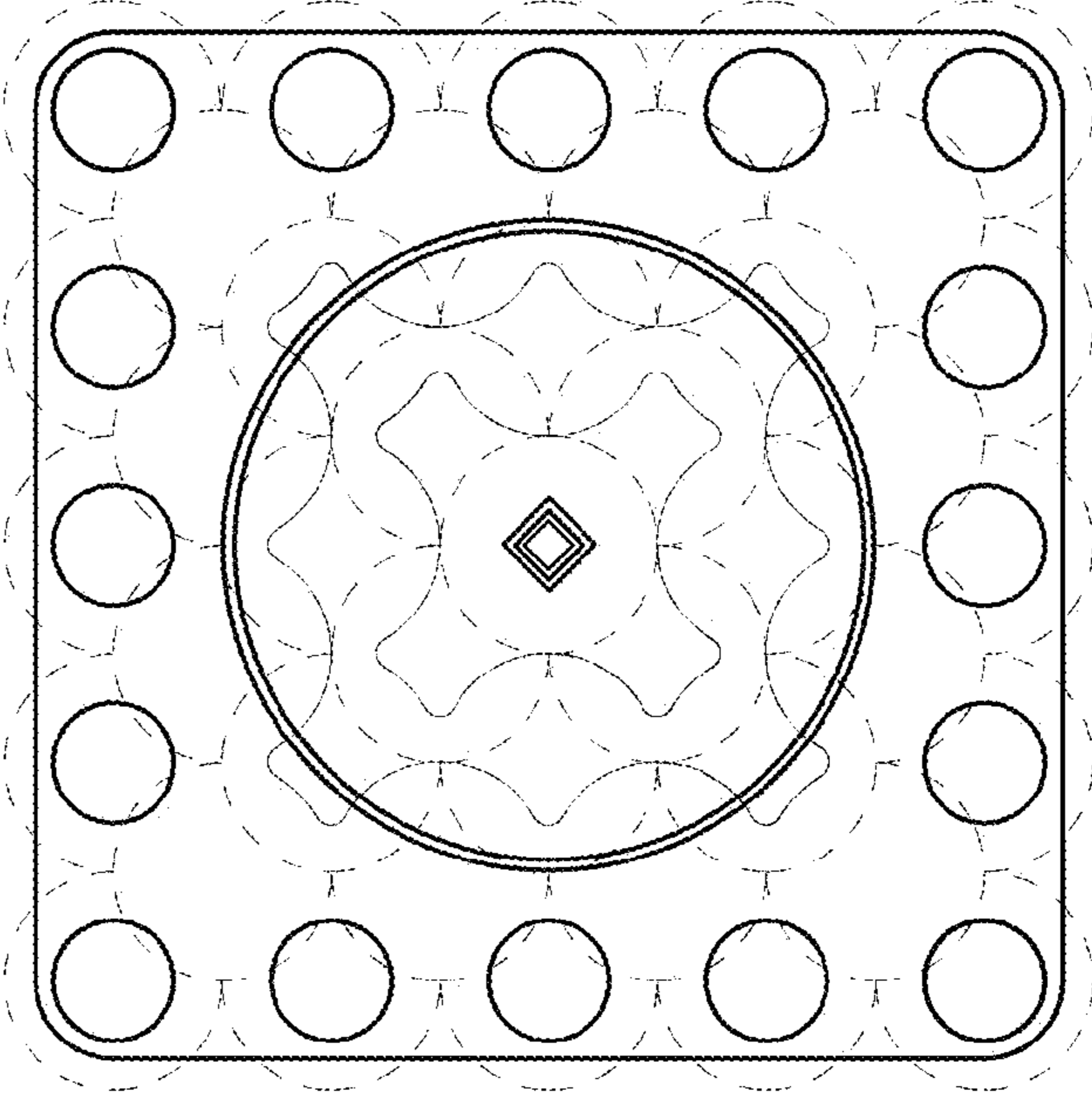


Fig 4

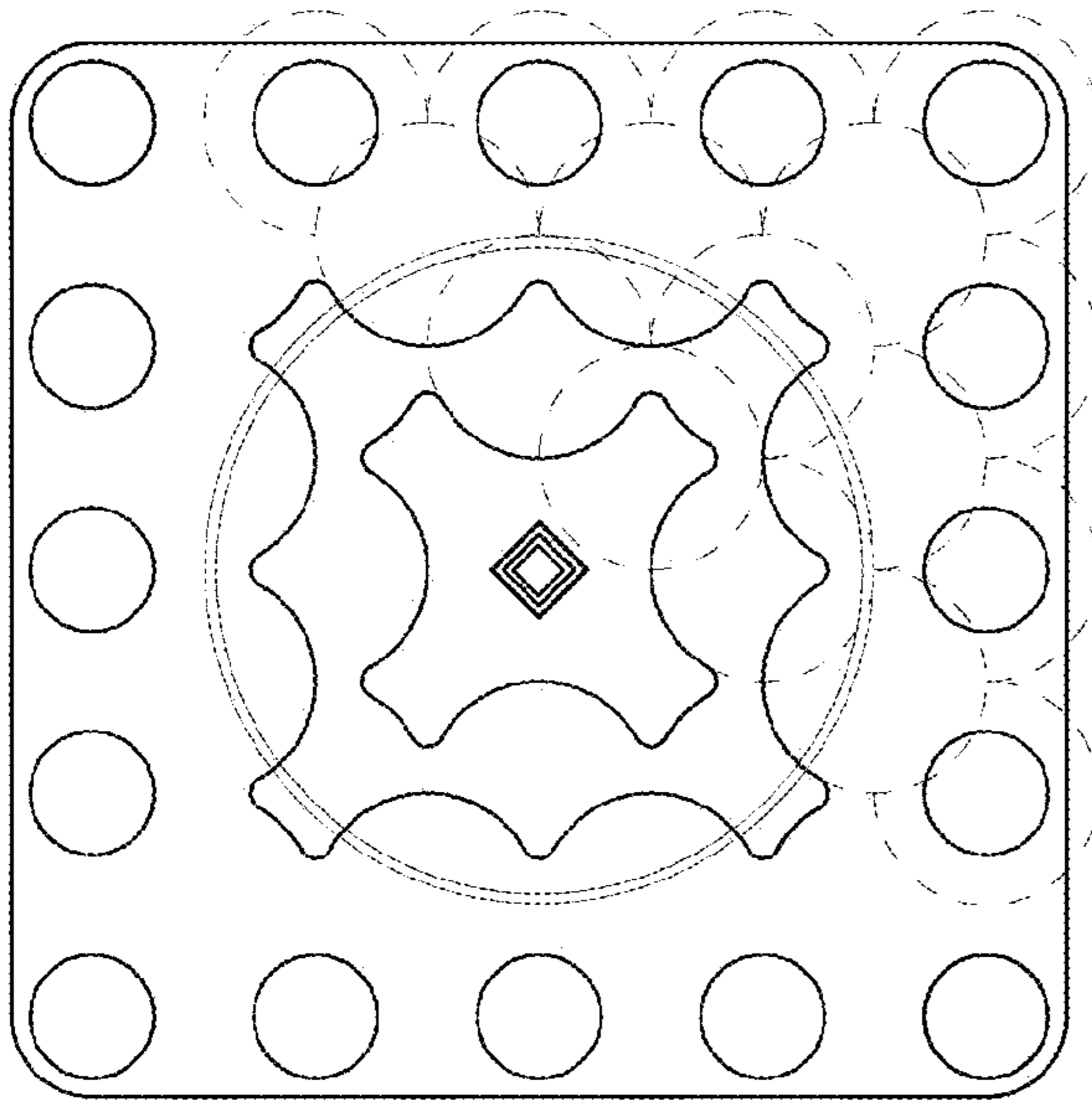


Fig 5

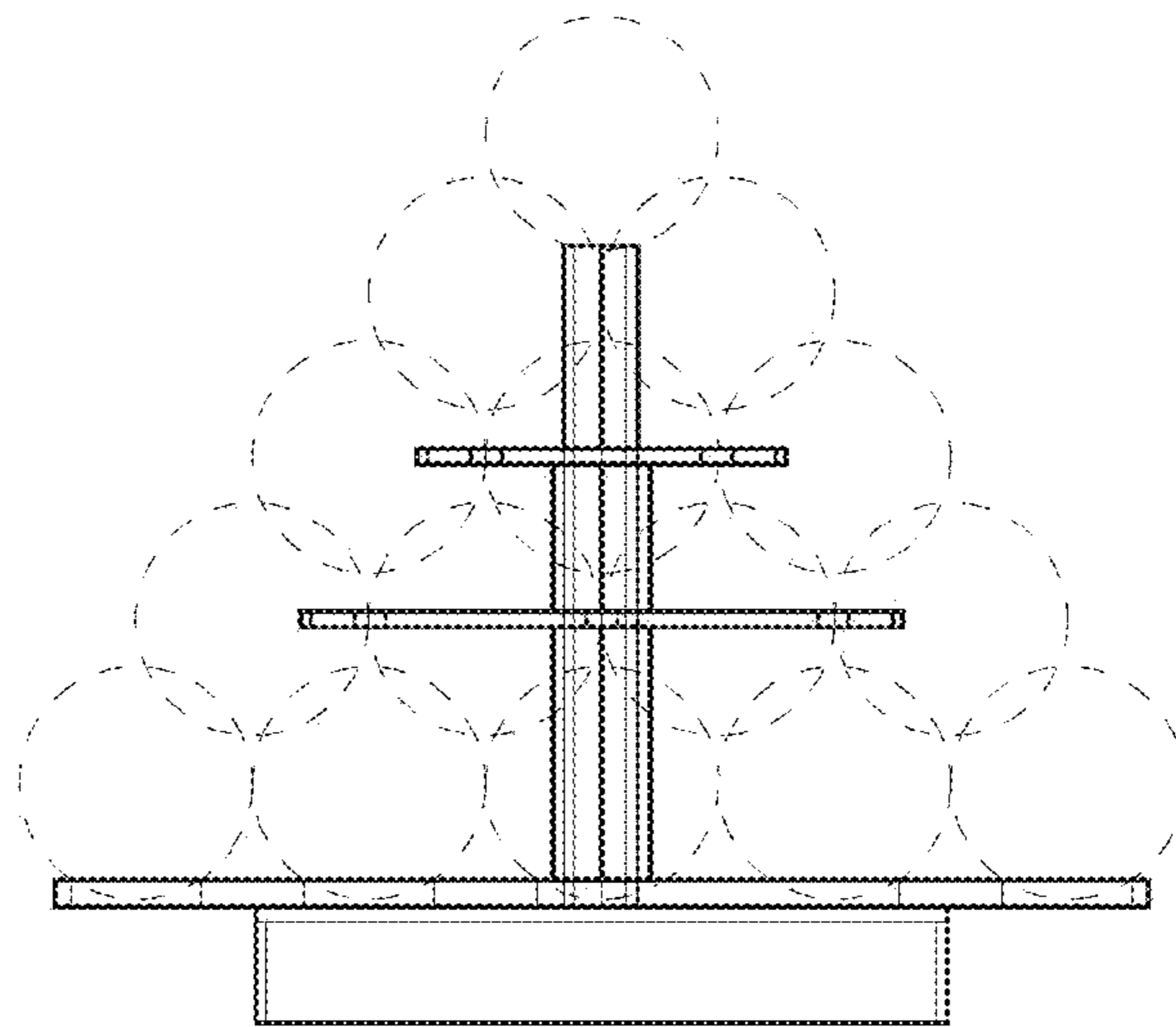


Fig 6

