



US00D681989S

(12) **United States Design Patent**
Pixley

(10) **Patent No.:** **US D681,989 S**

(45) **Date of Patent:** **** May 14, 2013**

(54) **BAR SOAP HOLDER**

(76) Inventor: **Henry D. Pixley**, East Syracuse, NY
(US)

(**) Term: **14 Years**

(21) Appl. No.: **29/428,979**

(22) Filed: **Aug. 6, 2012**

(51) **LOC (9) Cl.** **23-02**

(52) **U.S. Cl.**
USPC **D6/536**

(58) **Field of Classification Search** D6/536-540,
D6/532; D7/502, 550, 554.2; D9/682, 690,
D9/692; 206/77.1, 557, 587, 823; 211/13.1,
211/85.4, 85.12, 88.01; 248/176.1
See application file for complete search history.

(56) **References Cited**

U.S. PATENT DOCUMENTS

D250,076 S *	10/1978	Aust	D6/536
D276,285 S *	11/1984	Tober et al.	D3/300
D276,292 S *	11/1984	Rivera et al.	D6/536
D371,220 S *	6/1996	Behrens	D6/536
D402,839 S *	12/1998	Bova et al.	D6/540
D407,252 S *	3/1999	Hampshire	D6/540
D446,980 S *	8/2001	Lillelund et al.	D6/536
D612,180 S *	3/2010	Mayer	D6/536

* cited by examiner

Primary Examiner — Brian N Vinson

(74) *Attorney, Agent, or Firm* — Harris Beach PLLC

(57) **CLAIM**

The ornamental design for a bar soap holder, as shown and described.

DESCRIPTION

FIG. 1 is a perspective view of a bar soap holder, illustrating my new design;

FIG. 2 is a perspective view thereof, shown holding a bar of soap which is depicted in broken lines;

FIG. 3 is a front elevational view thereof, the back view being identical thereto;

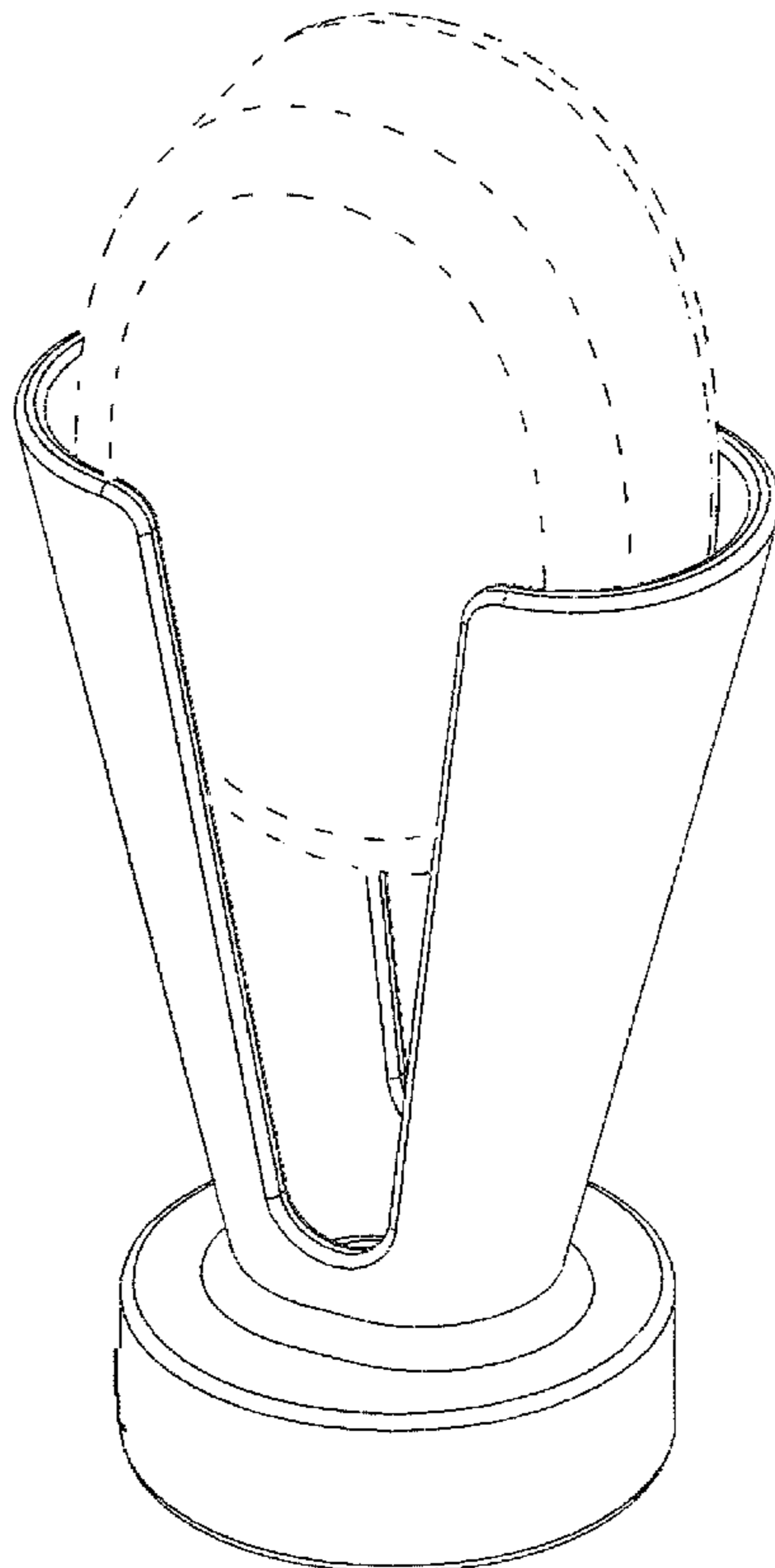
FIG. 4 is a front elevational view thereof, shown holding a bar of soap which is depicted in broken lines;

FIG. 5 is a side view thereof, the left side view and right side view being identical; and,

FIG. 6 is a top elevational view thereof.

In FIGS. 2 and 4 the broken lines showing a bar of soap situated within the bar soap holder is for illustrative purposes only and forms no part of the claimed design.

1 Claim, 6 Drawing Sheets



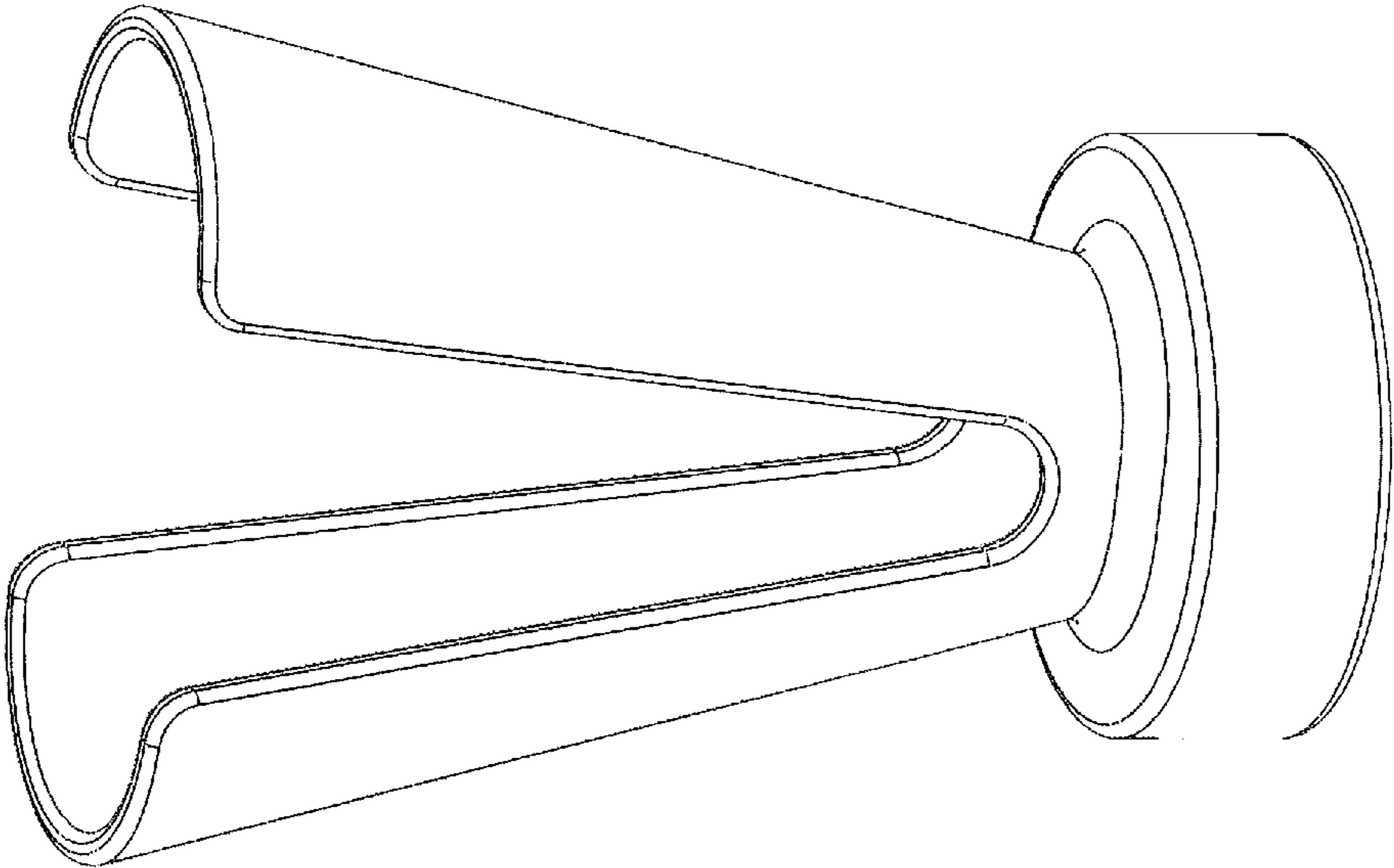


FIG. 1

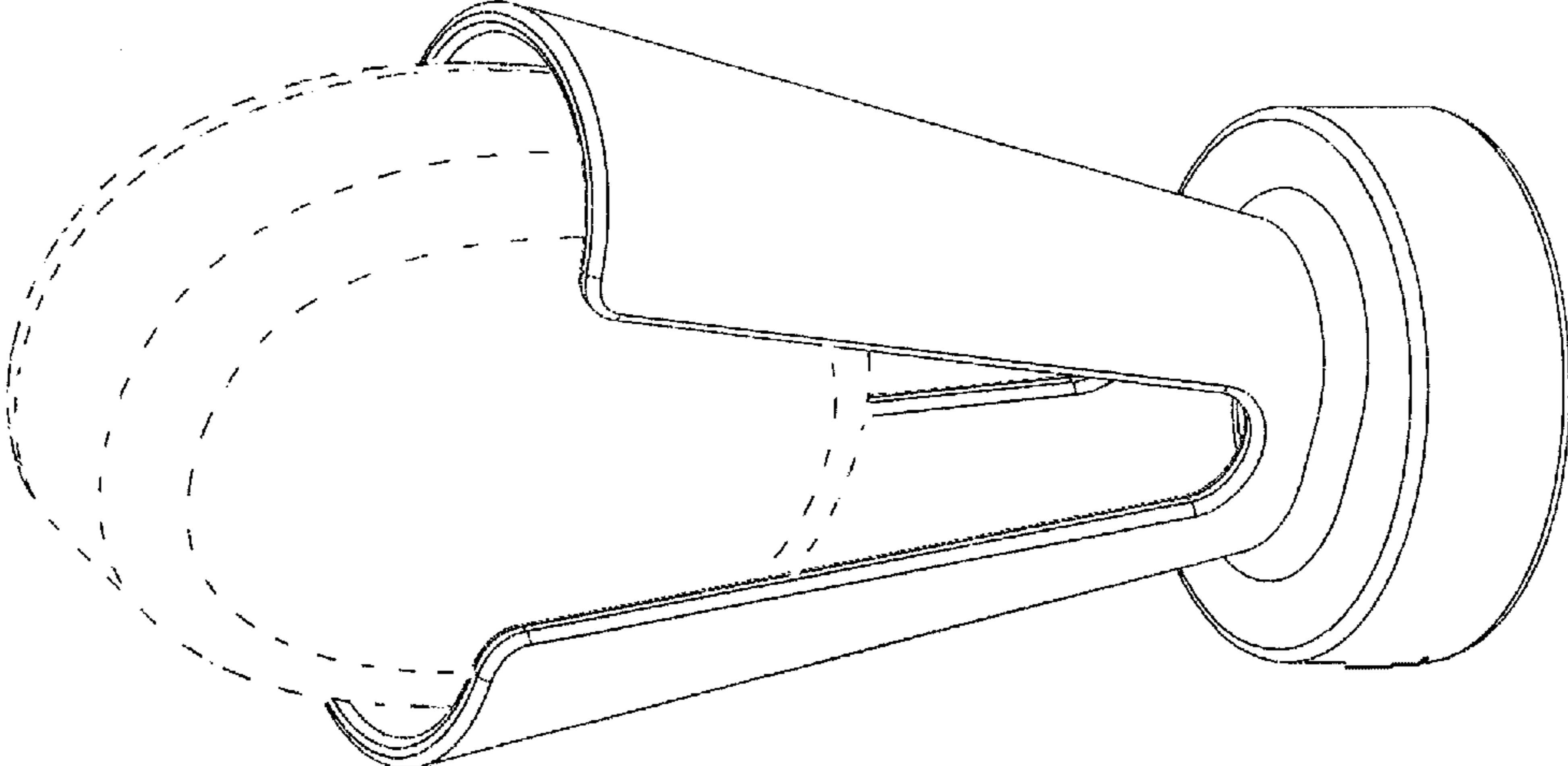


FIG. 2

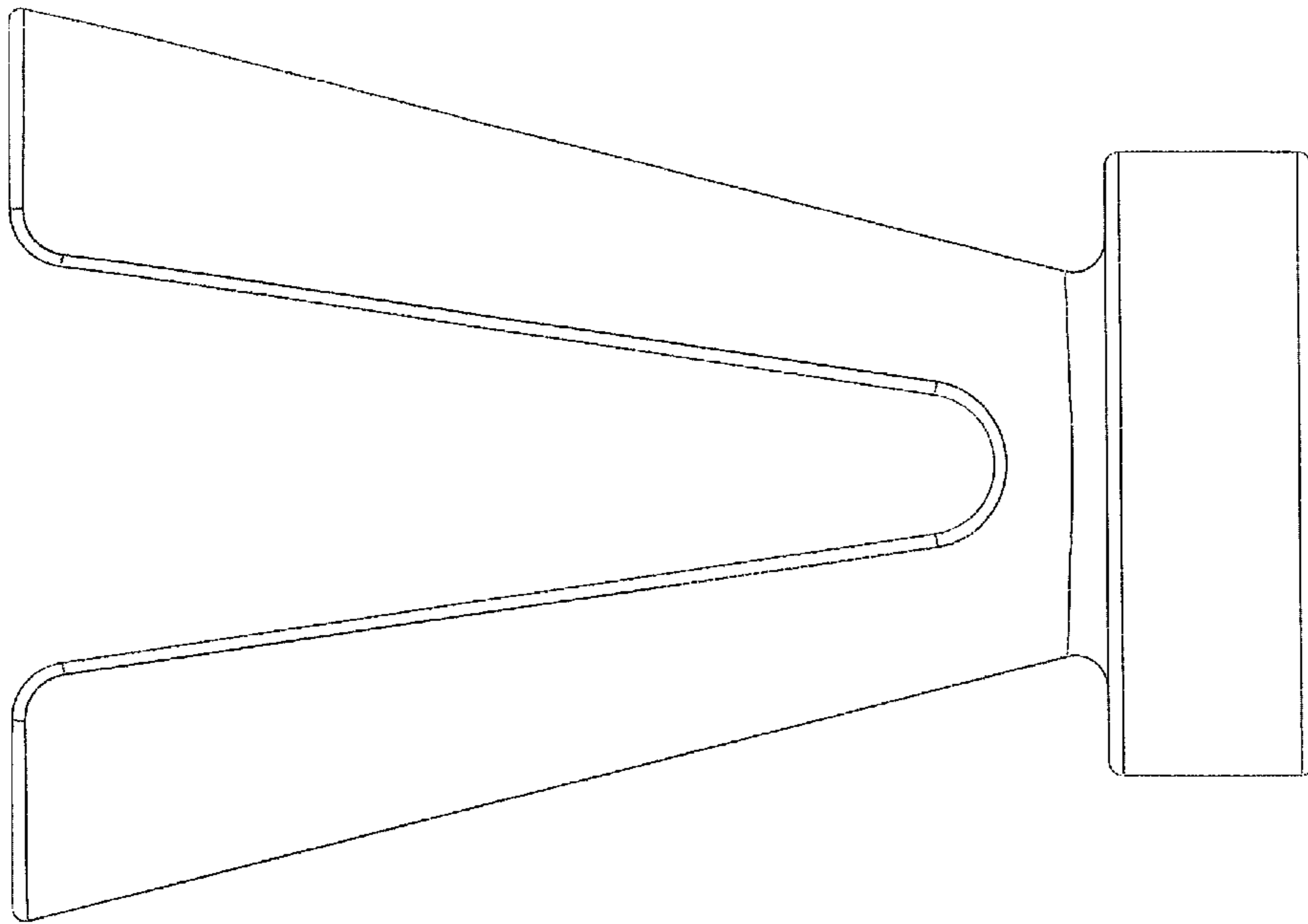


FIG. 3

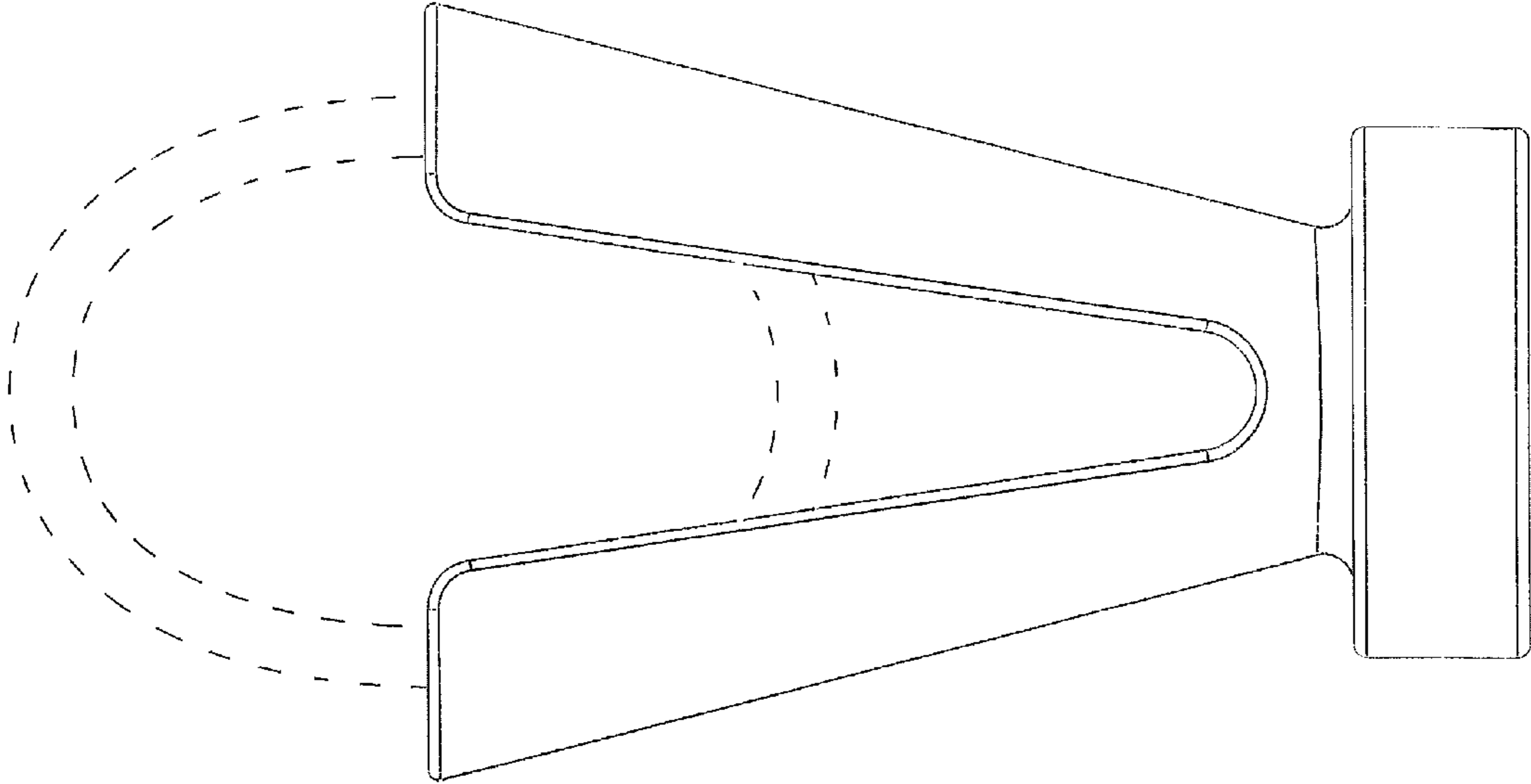


FIG. 4

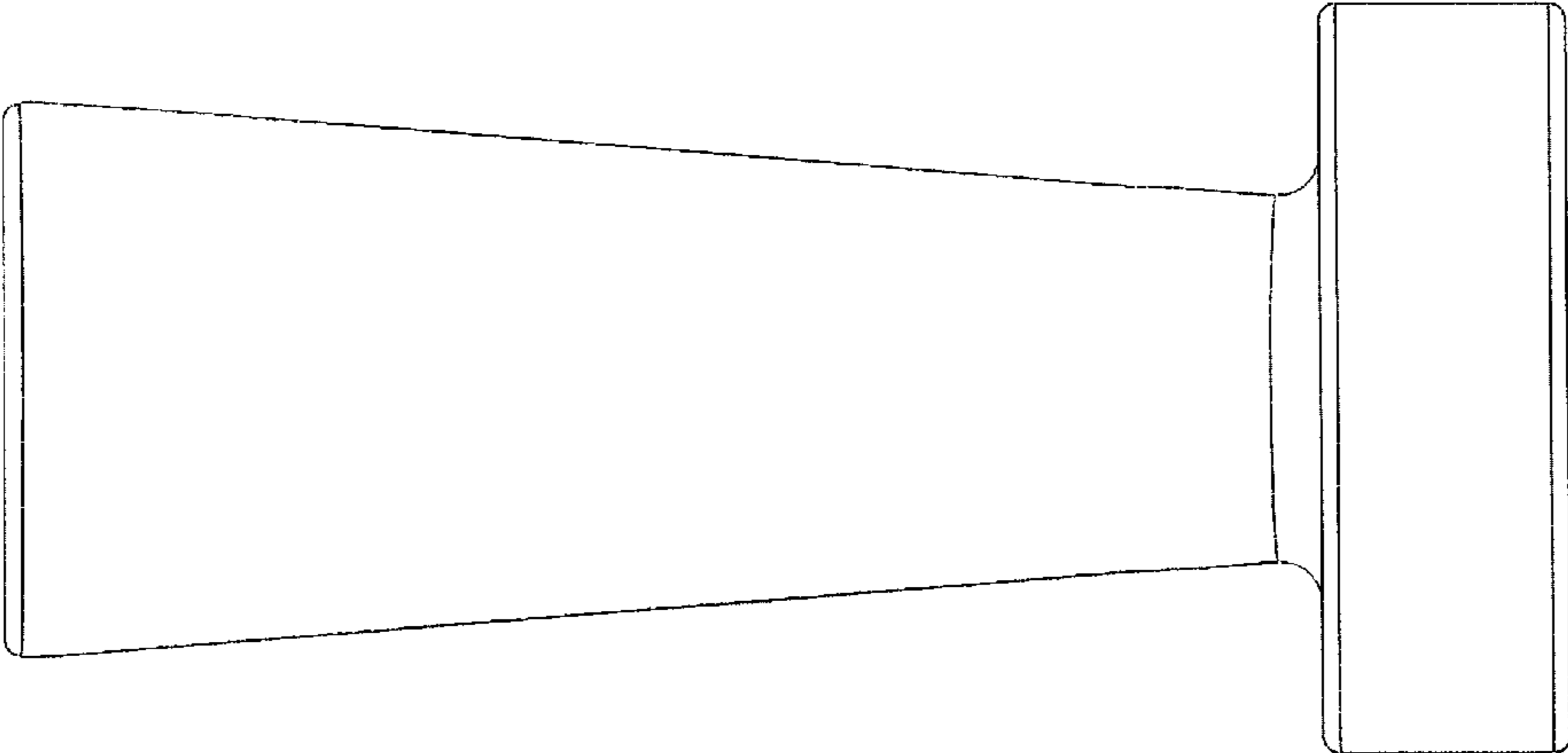


FIG. 5

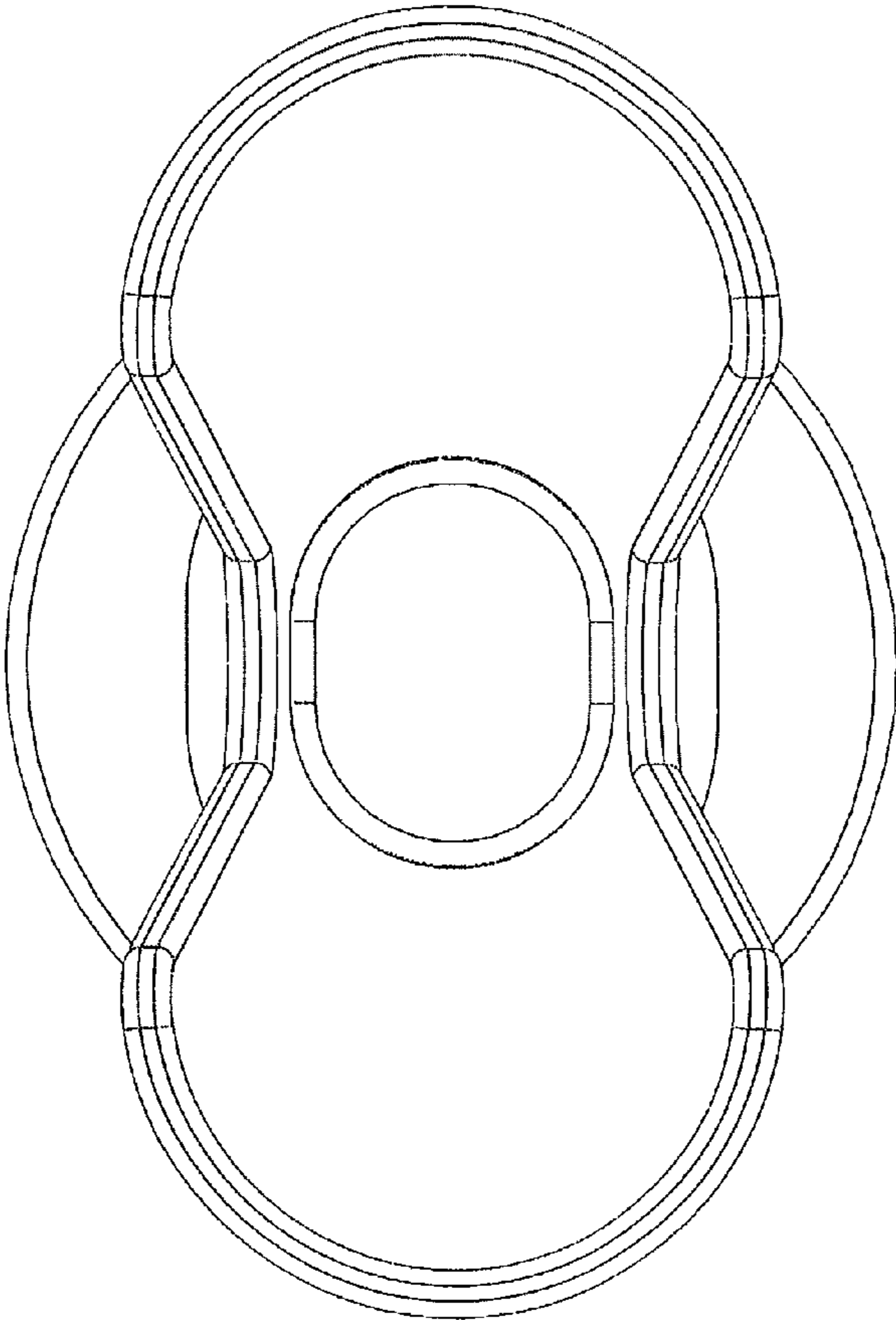


FIG. 6