



US00D681988S

(12) **United States Design Patent**  
**Kuo**

(10) **Patent No.:** **US D681,988 S**

(45) **Date of Patent:** **\*\* May 14, 2013**

(54) **BASE FOR SANITARY ATTACHMENTS**

(75) Inventor: **Kuo-Yung Kuo**, Taichung (TW)

(73) Assignee: **Domma Metal Industrial Co., Ltd.**,  
Taichung (TW)

(\*\*) Term: **14 Years**

(21) Appl. No.: **29/411,539**

(22) Filed: **Jan. 23, 2012**

(51) **LOC (9) Cl.** ..... **23-02**

(52) **U.S. Cl.**  
USPC ..... **D6/524; D6/550**

(58) **Field of Classification Search** ..... D6/518-524,  
D6/546-550; D8/300, 370, 315; 108/28-29;  
211/13.1, 16, 85.5, 86.01, 87.01, 88.04, 100,  
211/105.1, 105.2, 106, 113, 123, 181.1, 182-183;  
248/49, 175, 176.1, 200, 201, 205.1, 251,  
248/302, 309.1, 315; 242/570, 590, 595-598  
See application file for complete search history.

(56) **References Cited**

U.S. PATENT DOCUMENTS

551,040	A	*	12/1895	Morgan	.....	D6/524
D327,192	S	*	6/1992	Geuvjehizian	.....	D6/524
D334,315	S	*	3/1993	Bengtson	.....	D6/524
D343,085	S	*	1/1994	Bell	.....	D6/524
D410,376	S	*	6/1999	Scholl	.....	D6/550
D455,034	S	*	4/2002	Ou-Young	.....	D6/524
D455,926	S	*	4/2002	Ou-Young	.....	D6/550

\* cited by examiner

*Primary Examiner* — Brian N Vinson

(74) *Attorney, Agent, or Firm* — Whyte Hirschboeck Dudek S.C.

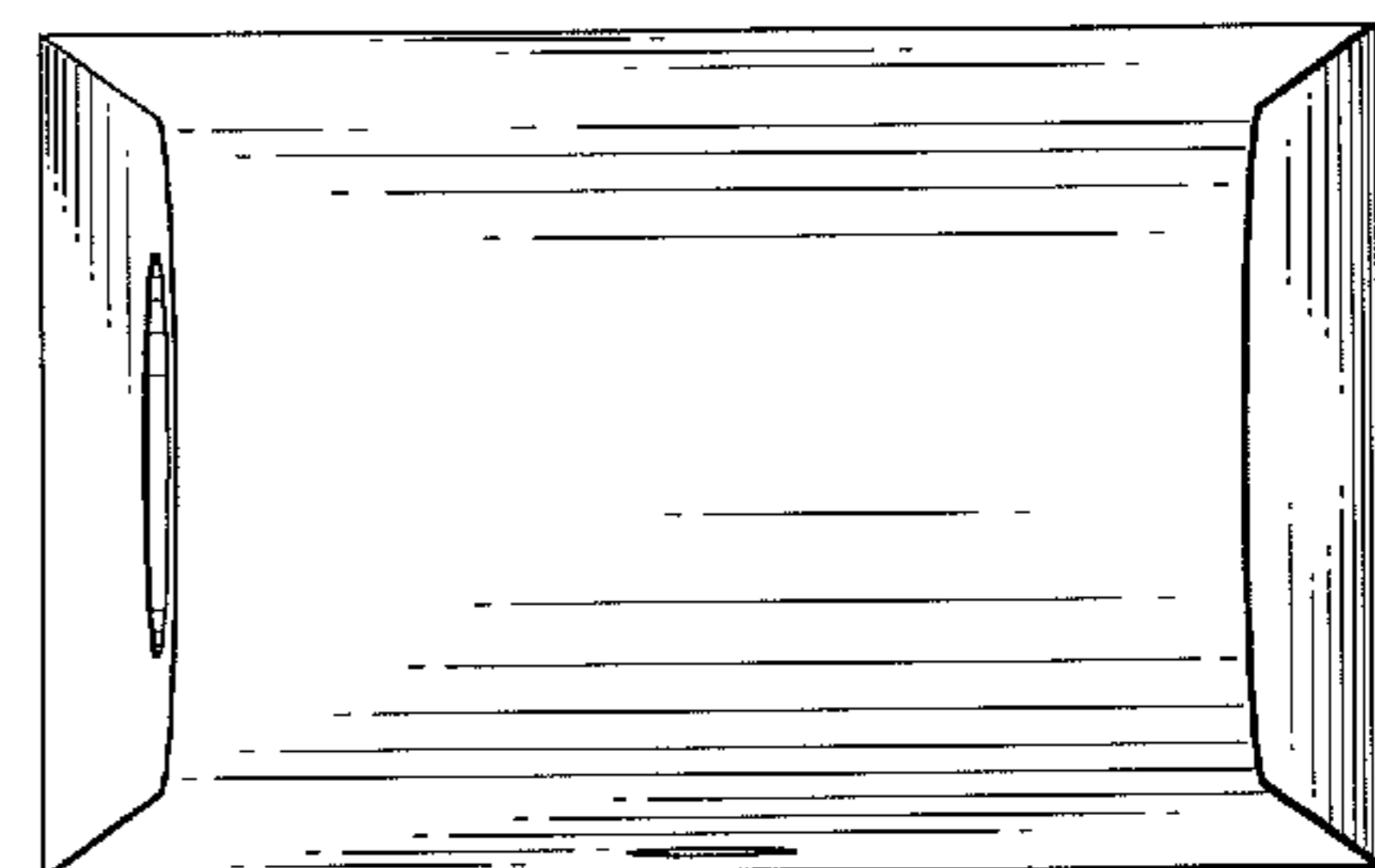
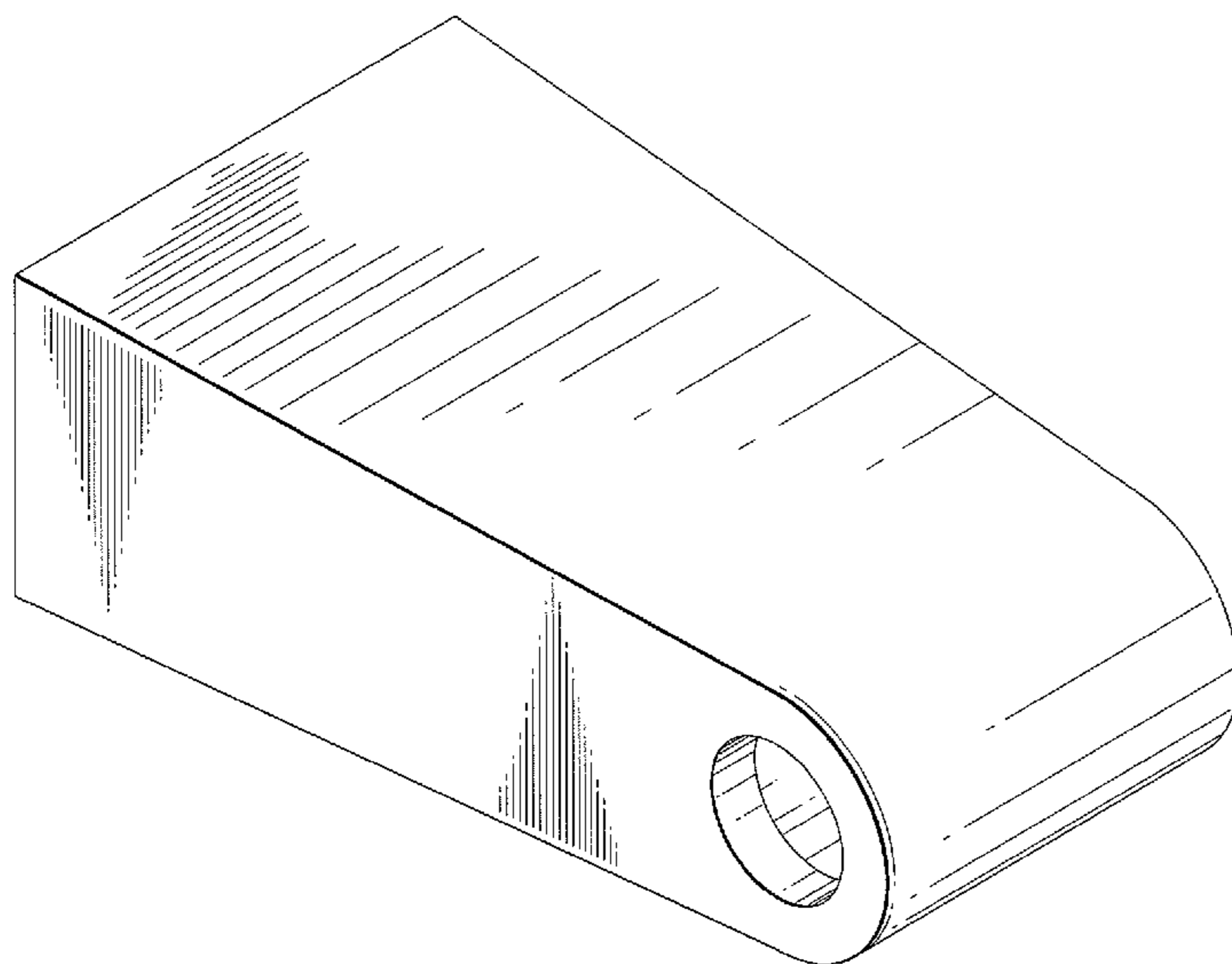
(57) **CLAIM**

The ornamental design for a base for sanitary attachments, as shown and described.

**DESCRIPTION**

FIG. 1 is a top, front, and left side perspective view of a base for sanitary attachments showing my new design;  
 FIG. 2 is a front elevational view thereof;  
 FIG. 3 is a rear elevational view thereof, with the broken-line disclosure representing an unclaimed portion of the article in which the claimed design is embodied;  
 FIG. 4 is a left side elevational view thereof;  
 FIG. 5 is a right side elevational view thereof;  
 FIG. 6 is a top plan view thereof;  
 FIG. 7 is a bottom plan view thereof;  
 FIG. 8 is an additional top, front, and left side perspective view thereof, with the broken-line disclosure of a towel rod and additional base showing unclaimed environment for illustrative purposes only;  
 FIG. 9 is an additional top, front, and left side perspective view thereof, with the broken-line disclosure of a towel hook showing unclaimed environment for illustrative purposes only; and,  
 FIG. 10 is an additional top, front, and left side perspective view thereof, with the broken-line disclosure of a towel ring showing unclaimed environment for illustrative purposes only.

**1 Claim, 9 Drawing Sheets**



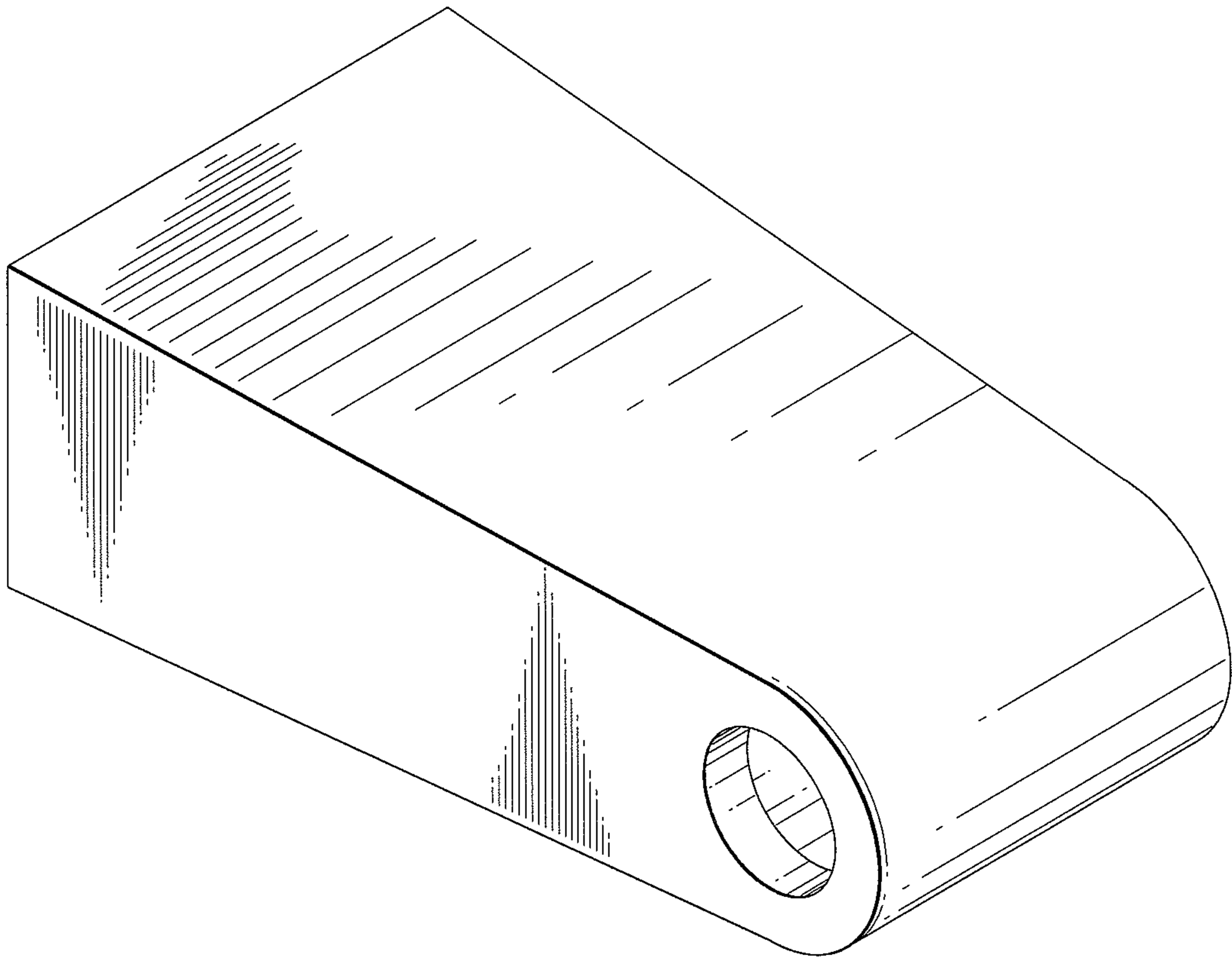


FIG. 1

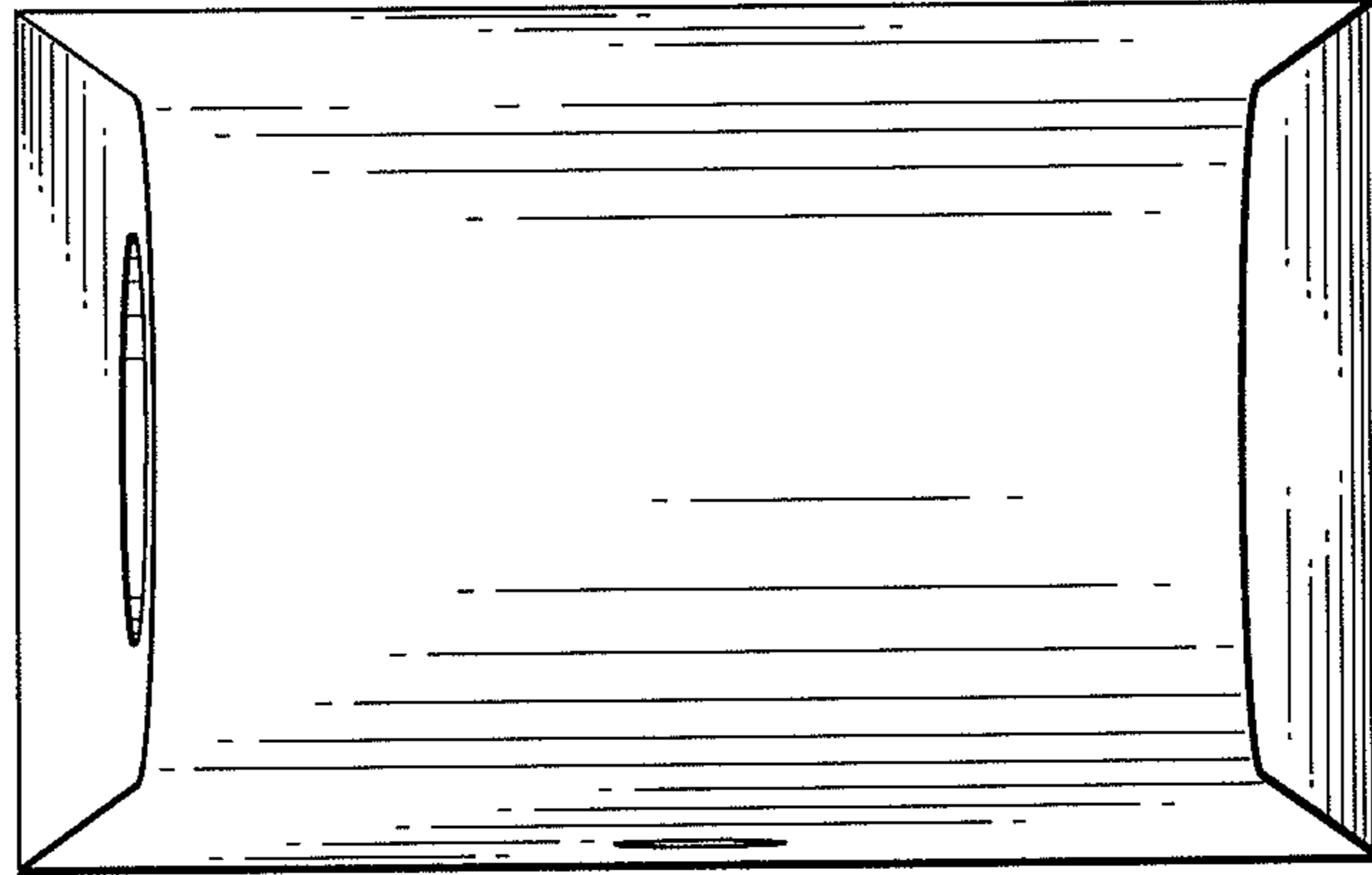


FIG. 2

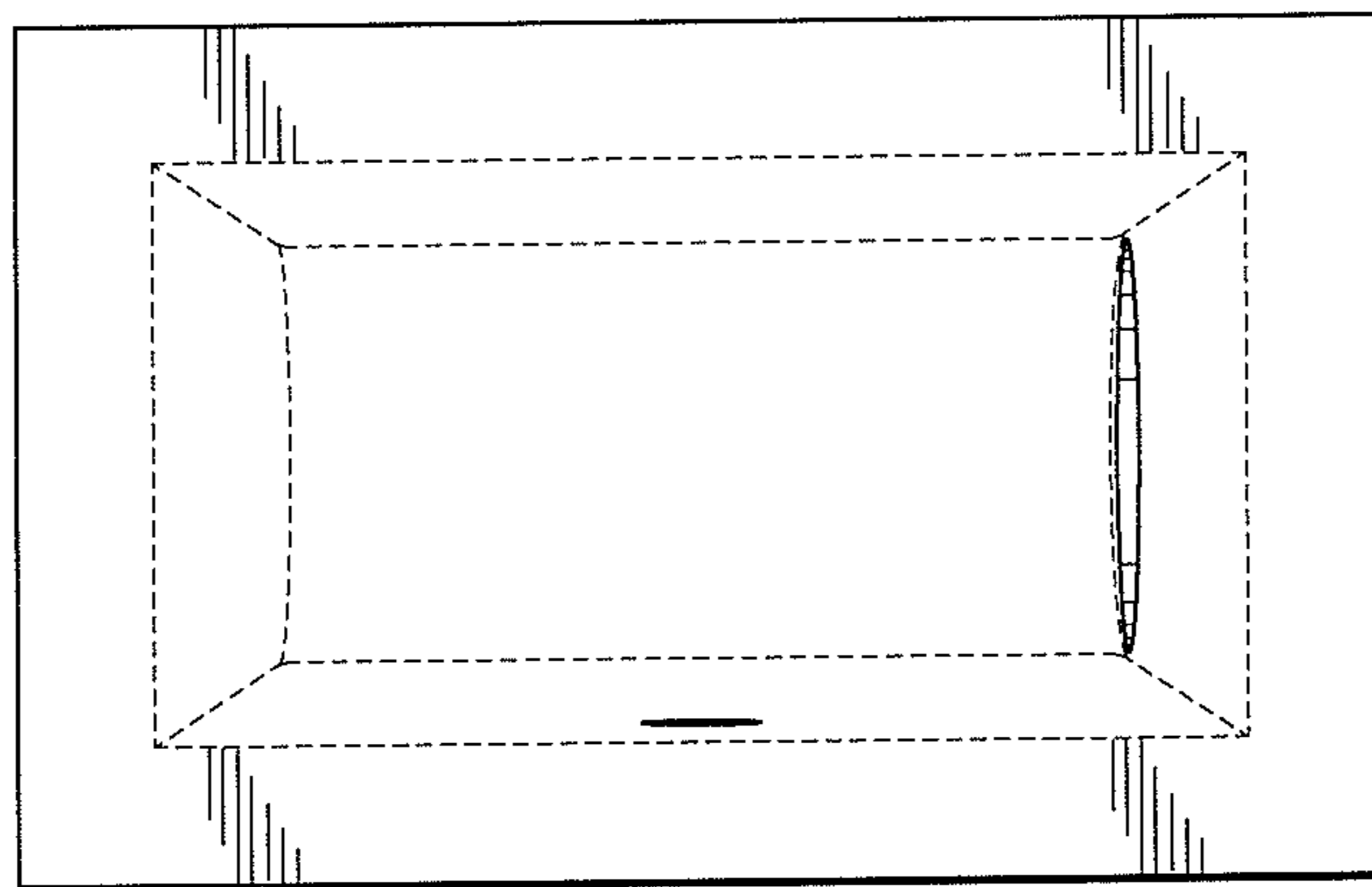


FIG. 3

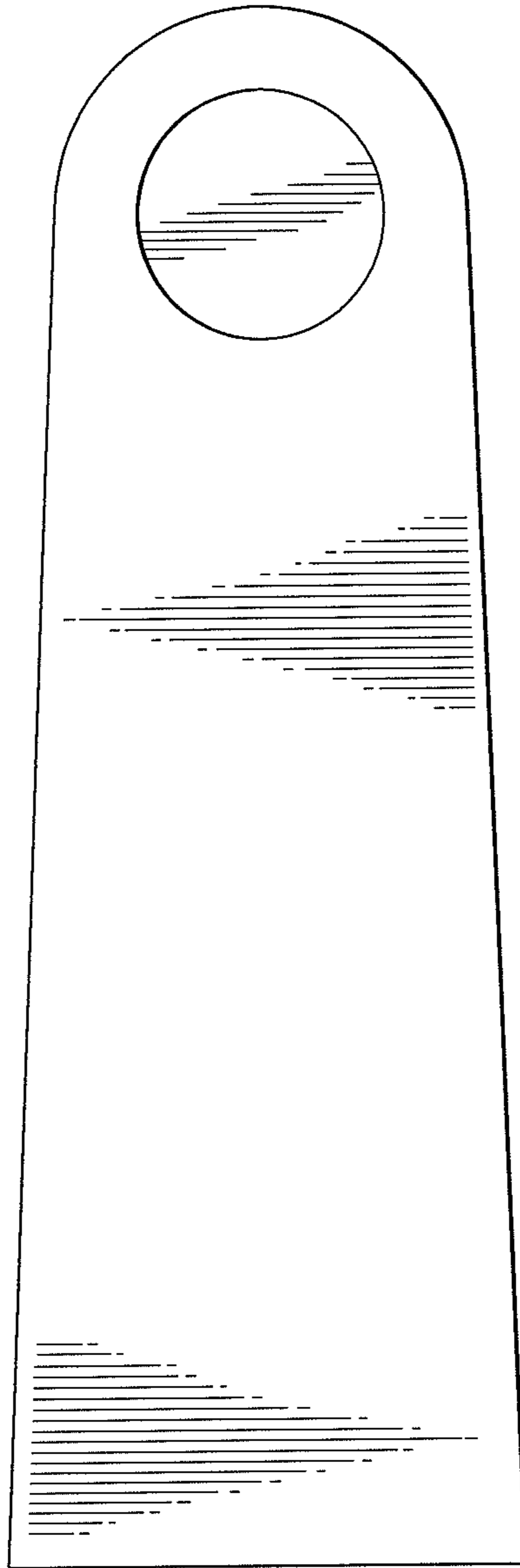


FIG. 4

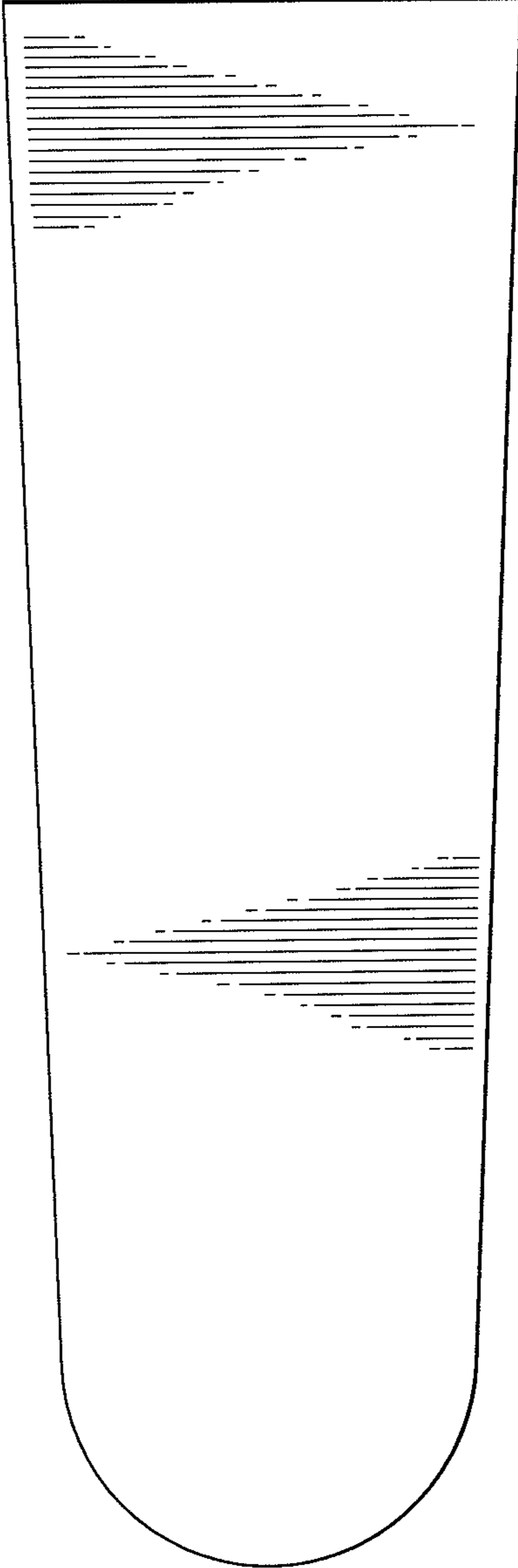


FIG. 5

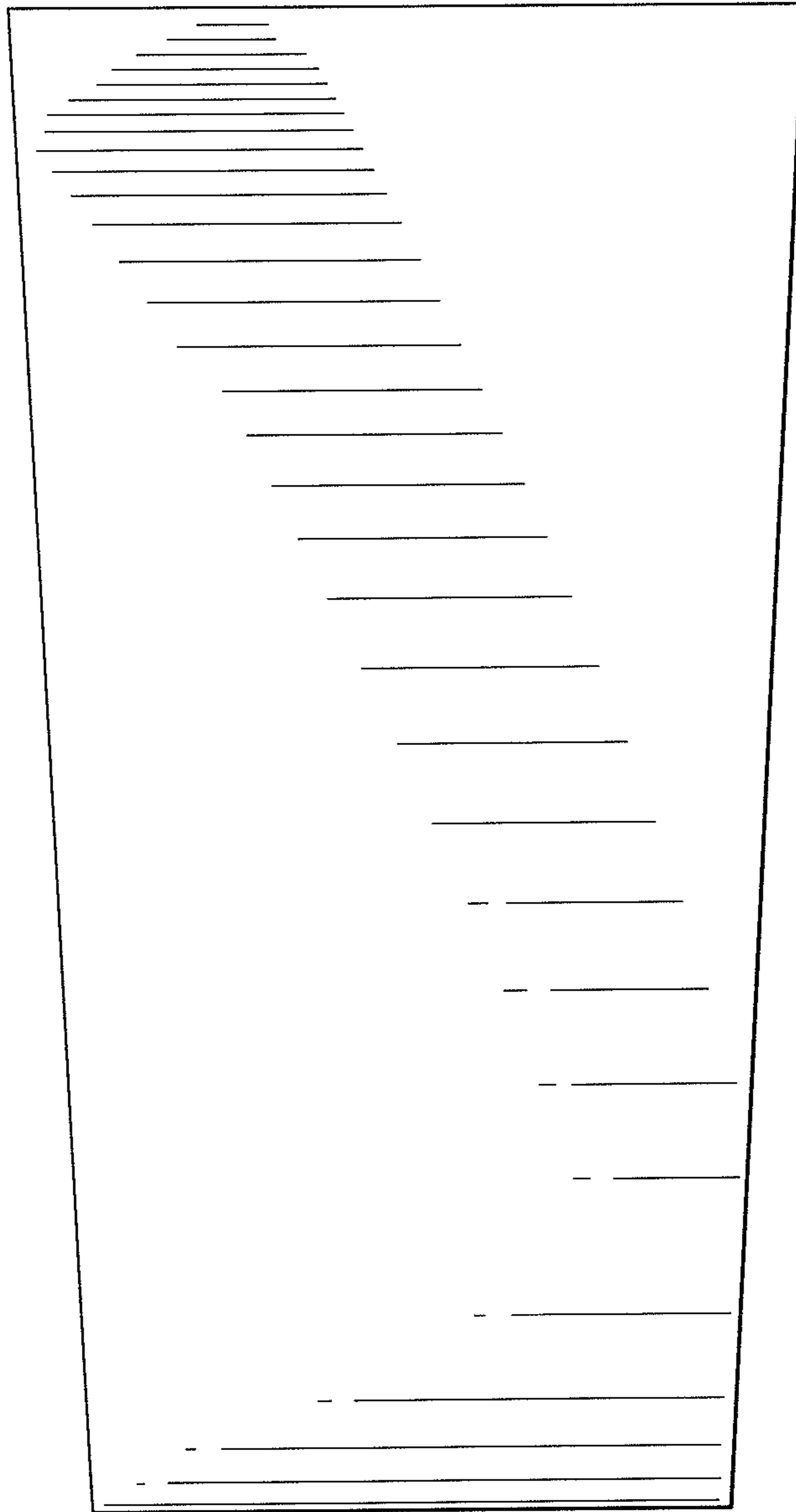


FIG. 6

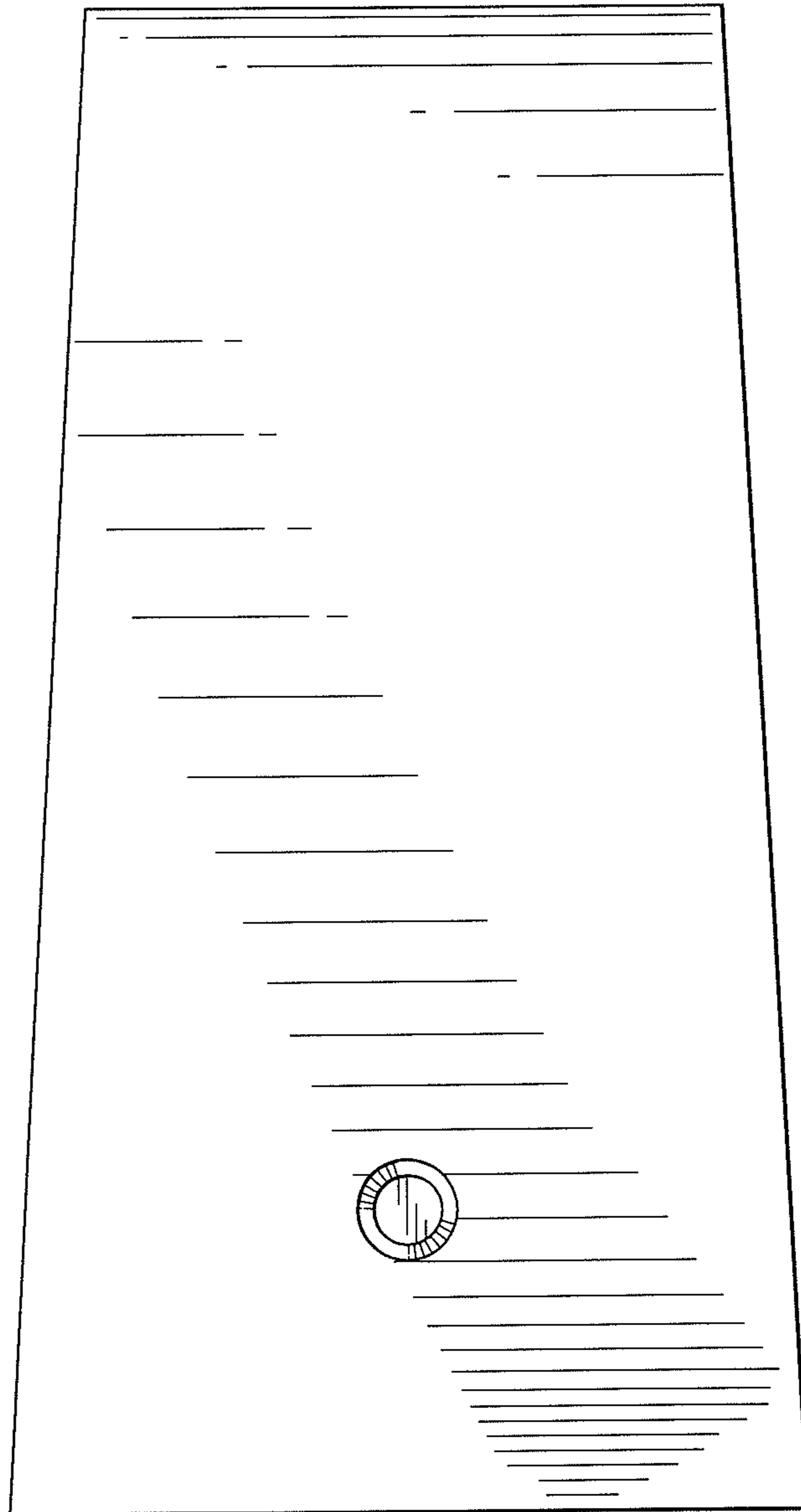


FIG. 7

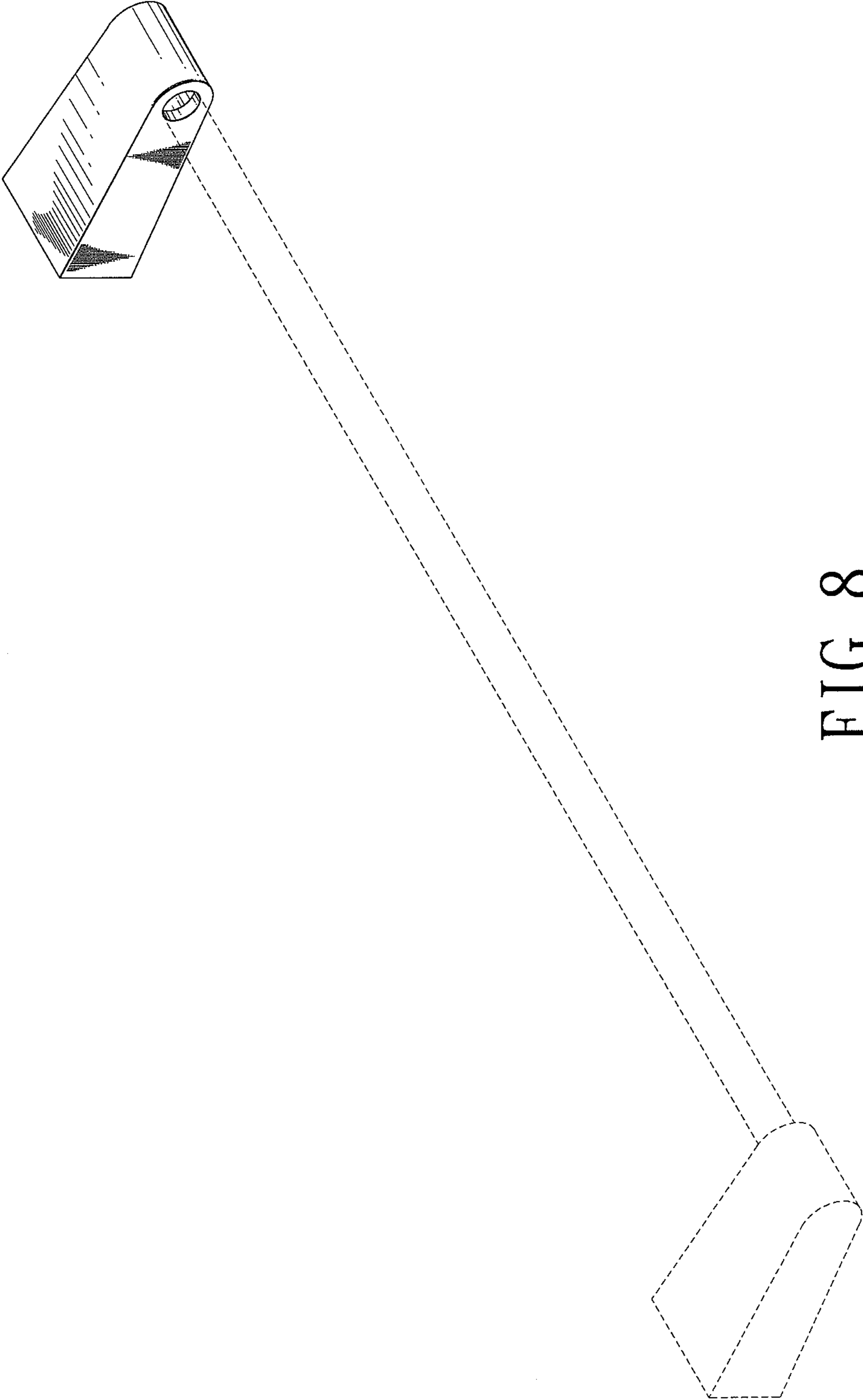


FIG. 8



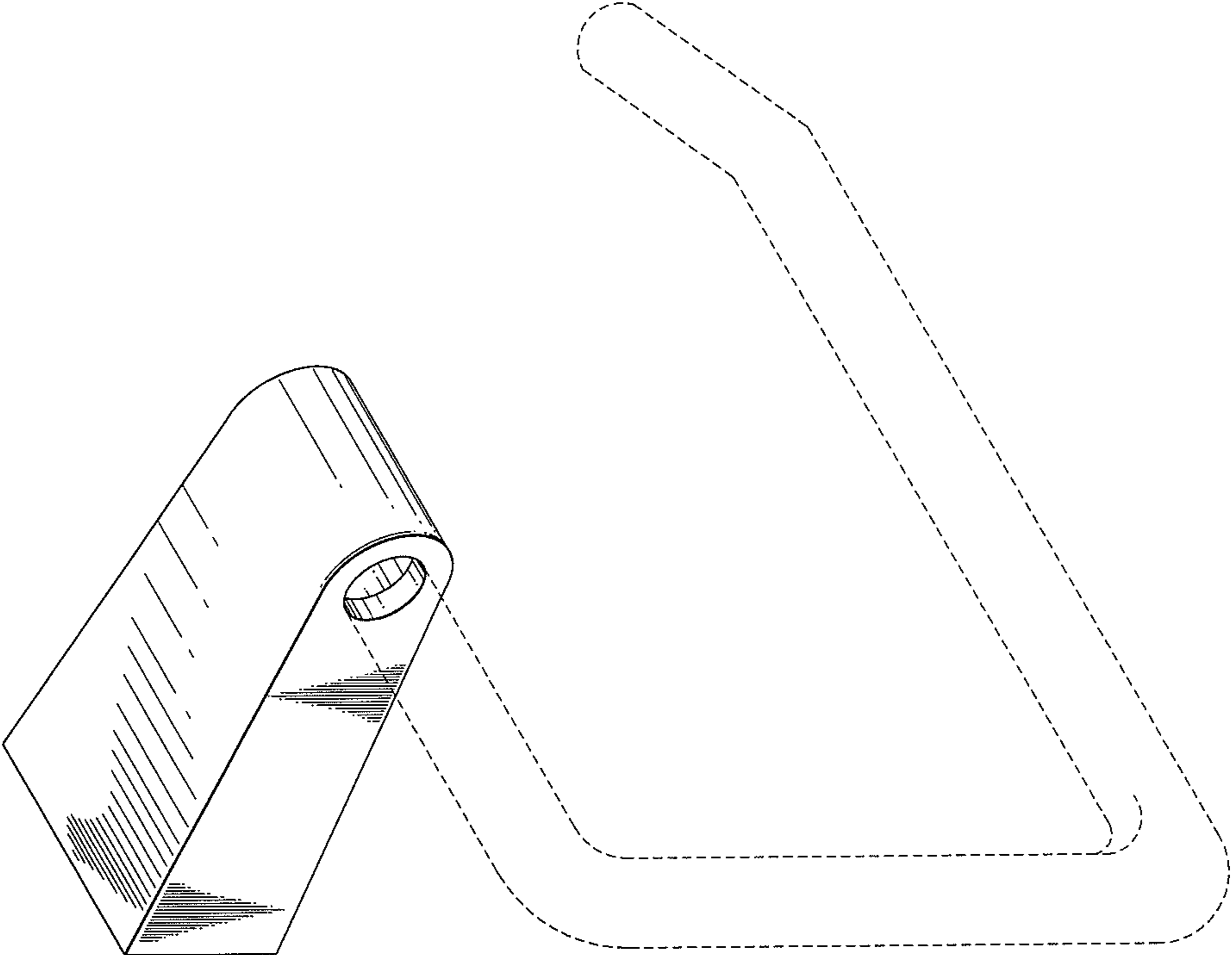


FIG. 9

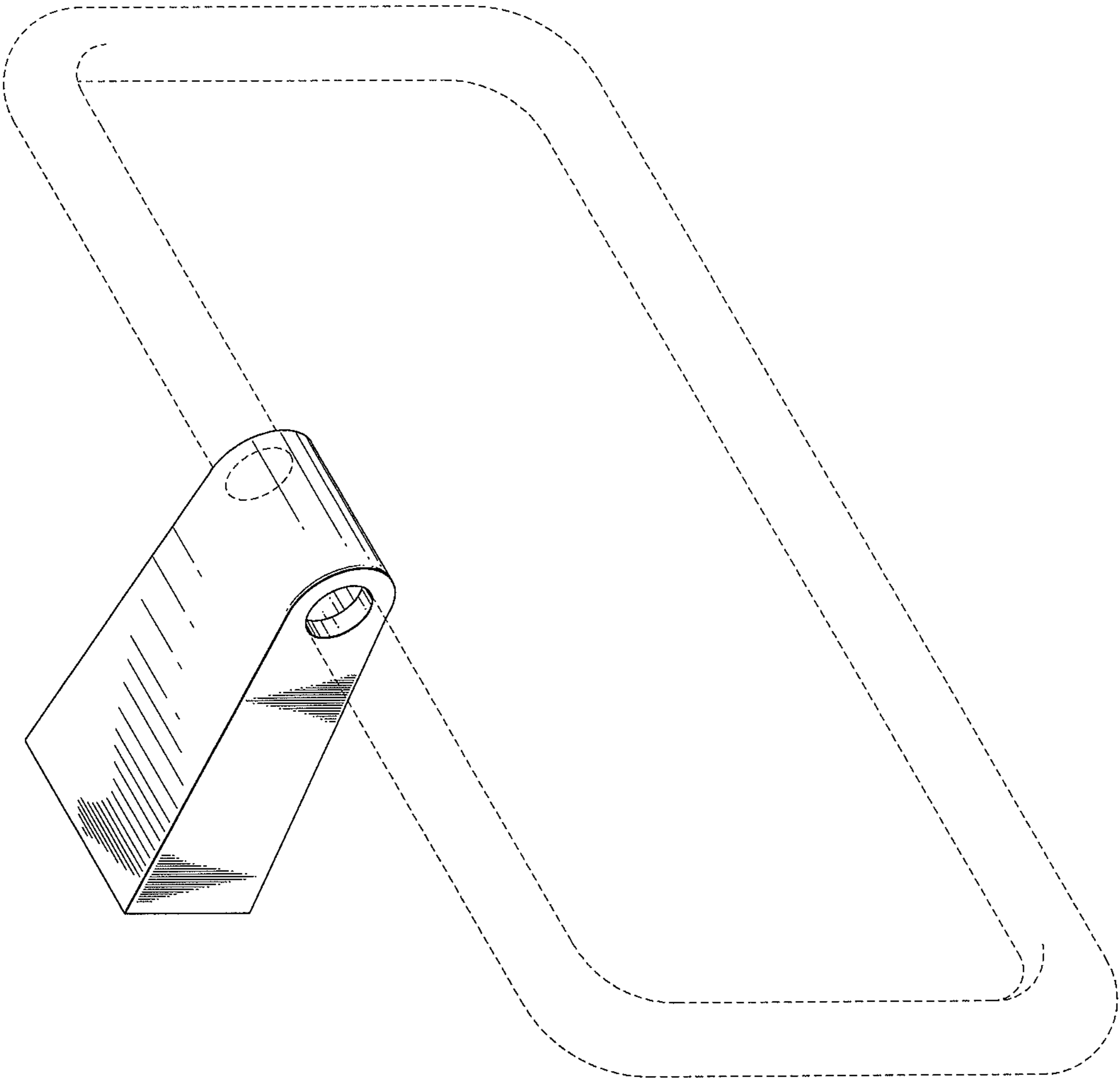


FIG. 10