



US00D681985S

(12) **United States Design Patent**
Cramer

(10) **Patent No.:** **US D681,985 S**

(45) **Date of Patent:** **** May 14, 2013**

(54) **STORAGE CADDY**

(71) Applicant: **Gregory R. Cramer**, Muncie, IN (US)

(72) Inventor: **Gregory R. Cramer**, Muncie, IN (US)

(73) Assignee: **Bed Butler, LLC**, Muncie, IN (US)

(**) Term: **14 Years**

(21) Appl. No.: **29/432,881**

(22) Filed: **Sep. 21, 2012**

(51) **LOC (9) Cl.** **06-06**

(52) **U.S. Cl.**
USPC **D6/513**

(58) **Field of Classification Search** D6/512-514,
D6/555, 567; D3/303, 305, 308, 310, 313,
D3/316, 317, 319, 902; 206/278, 286, 289,
206/9, 278.1, 298, 315.1, 579; 211/13.1,
211/85.3, 113, 26.1, 86.01; 190/1, 104, 106,
190/107, 110, 111, 115, 11, 13 R, 9; 220/666,
220/912, 9.1; 248/95, 311.2, 205.1, 214
See application file for complete search history.

(56) **References Cited**

U.S. PATENT DOCUMENTS

2,490,426	A *	12/1949	Gerdeman	D6/513
2,557,674	A	6/1951	McRae		
2,650,784	A	9/1953	Thayer et al.		
3,482,810	A	12/1969	Bailey		
4,235,350	A	11/1980	Valentino		
4,369,948	A *	1/1983	Krauss et al.	D6/513
4,466,148	A	8/1984	Jones		
4,483,501	A	11/1984	Eddy		
4,521,930	A	6/1985	Henson		
4,773,768	A	9/1988	Leeper		
D314,114	S *	1/1991	Steinman	D6/567
4,998,277	A	3/1991	Rioux, Jr.		
4,998,700	A	3/1991	McKaig		
5,056,342	A	10/1991	Prinz		
D340,622	S *	10/1993	Park et al.	D7/620

5,370,246	A	12/1994	Traynor		
5,581,829	A	12/1996	Lee		
D377,876	S *	2/1997	Hatala et al.	D6/513
5,605,235	A	2/1997	Johnson		
5,758,972	A	6/1998	Mack et al.		
6,253,399	B1	7/2001	Wagner		
D583,176	S *	12/2008	Bochner et al.	D6/555
D636,198	S *	4/2011	Gibbs	D6/513
7,954,188	B2	6/2011	House et al.		
D662,344	S *	6/2012	Cook	D6/513
2002/0018601	A1	2/2002	Nelson		
2004/0261175	A1	12/2004	May		

* cited by examiner

Primary Examiner — Brian N Vinson

(74) *Attorney, Agent, or Firm* — Bingham Greenebaum Doll LLP

(57) **CLAIM**

The ornamental design for a storage caddy, as shown and described.

DESCRIPTION

FIG. 1 is a top, rear, and right side perspective view of a storage caddy showing a first embodiment of my new design; FIG. 2 is a bottom, front, and left side perspective view thereof;

FIG. 3 is a left side elevational view thereof;

FIG. 4 is a right side elevational view thereof;

FIG. 5 is a rear elevational view thereof;

FIG. 6 is a front elevational view thereof;

FIG. 7 is a top plan view thereof;

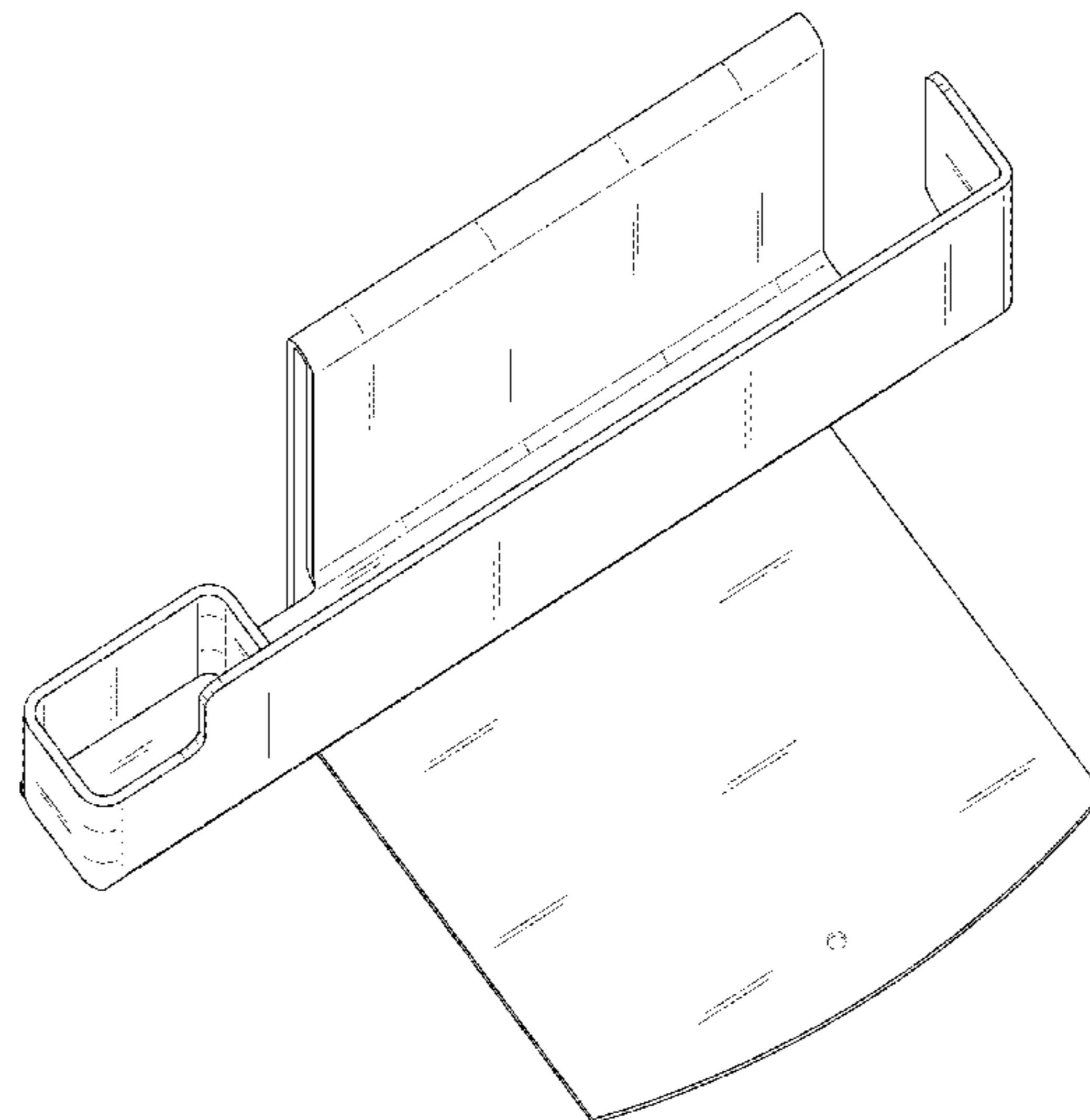
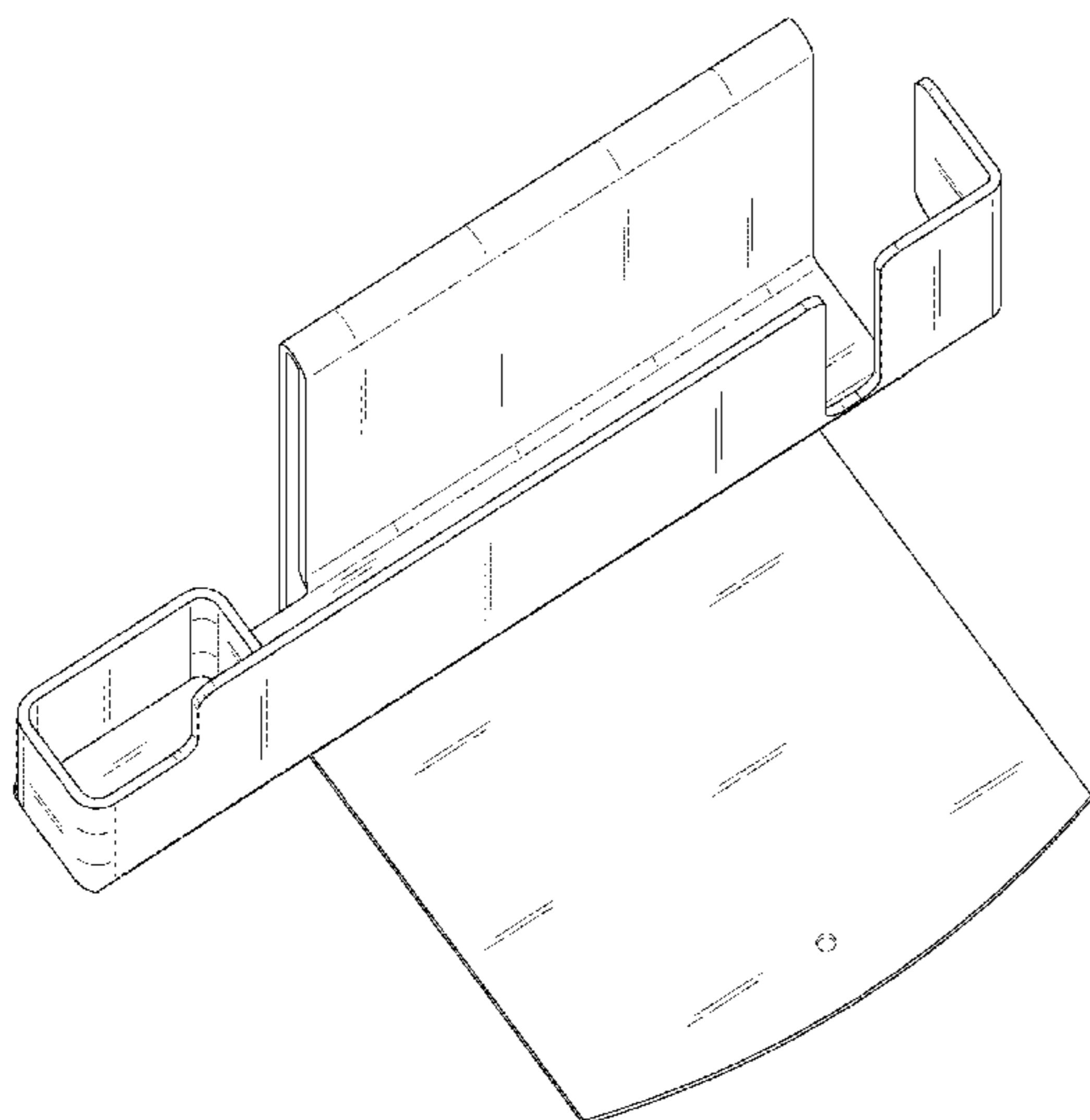
FIG. 8 is a bottom plan view thereof;

FIG. 9 is a top, rear, and right side perspective view of a second embodiment thereof; and,

FIG. 10 is a top, rear, and left side perspective view of a third embodiment thereof.

The broken-line disclosure in the views is understood to represent portions of the article in which the design is embodied, but which form no part of the claimed design.

1 Claim, 10 Drawing Sheets



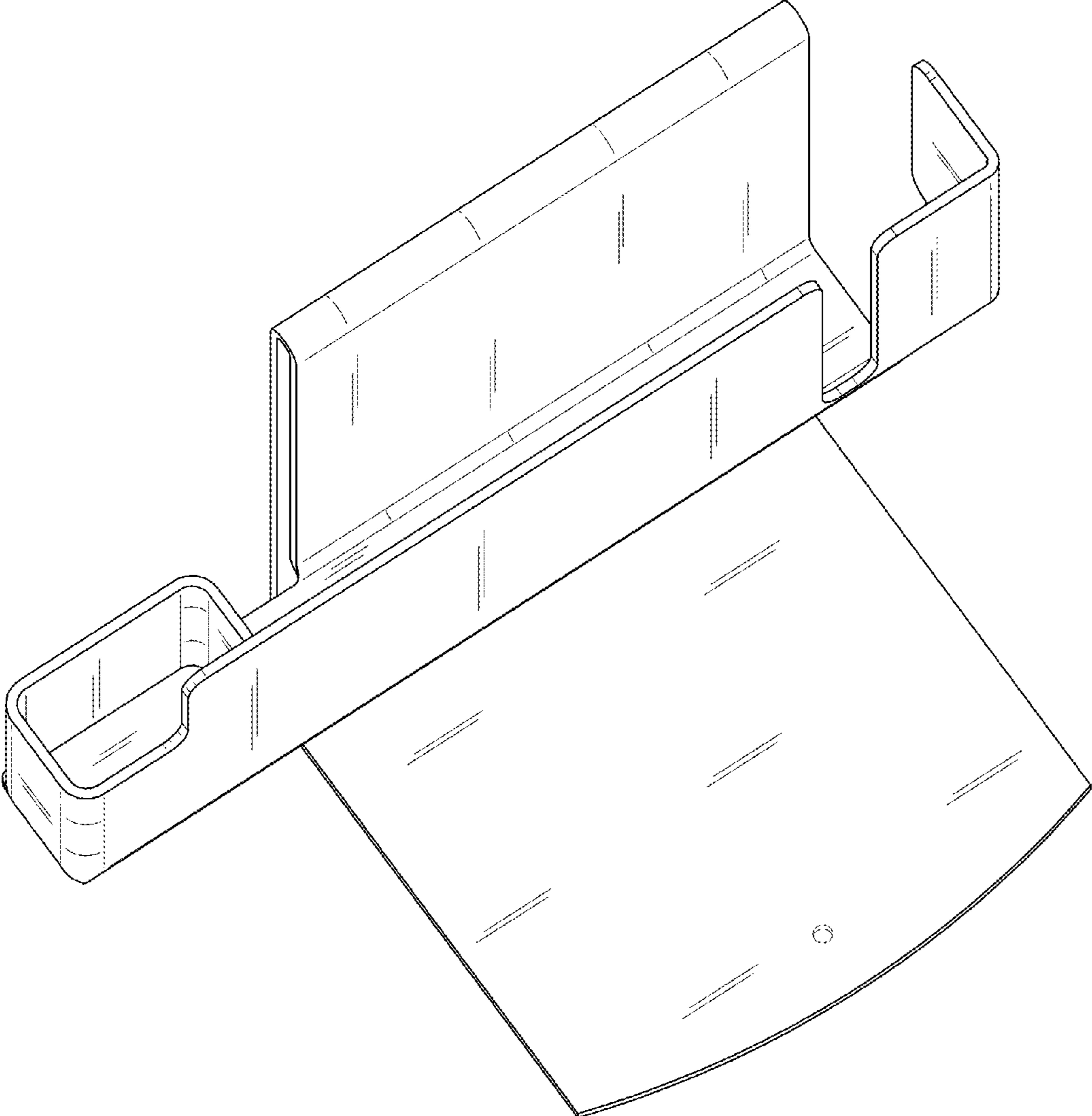


FIG. 1

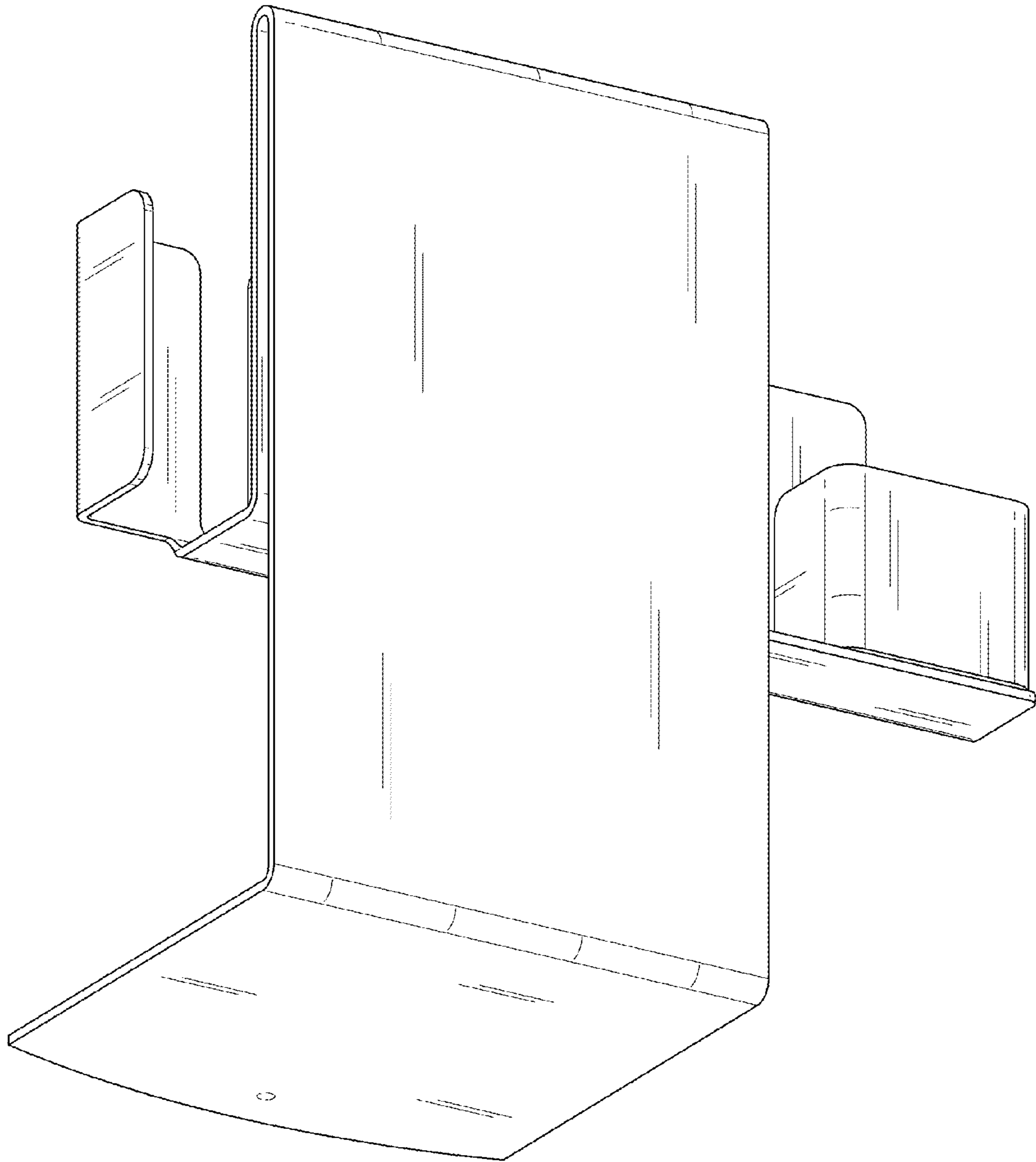


FIG. 2

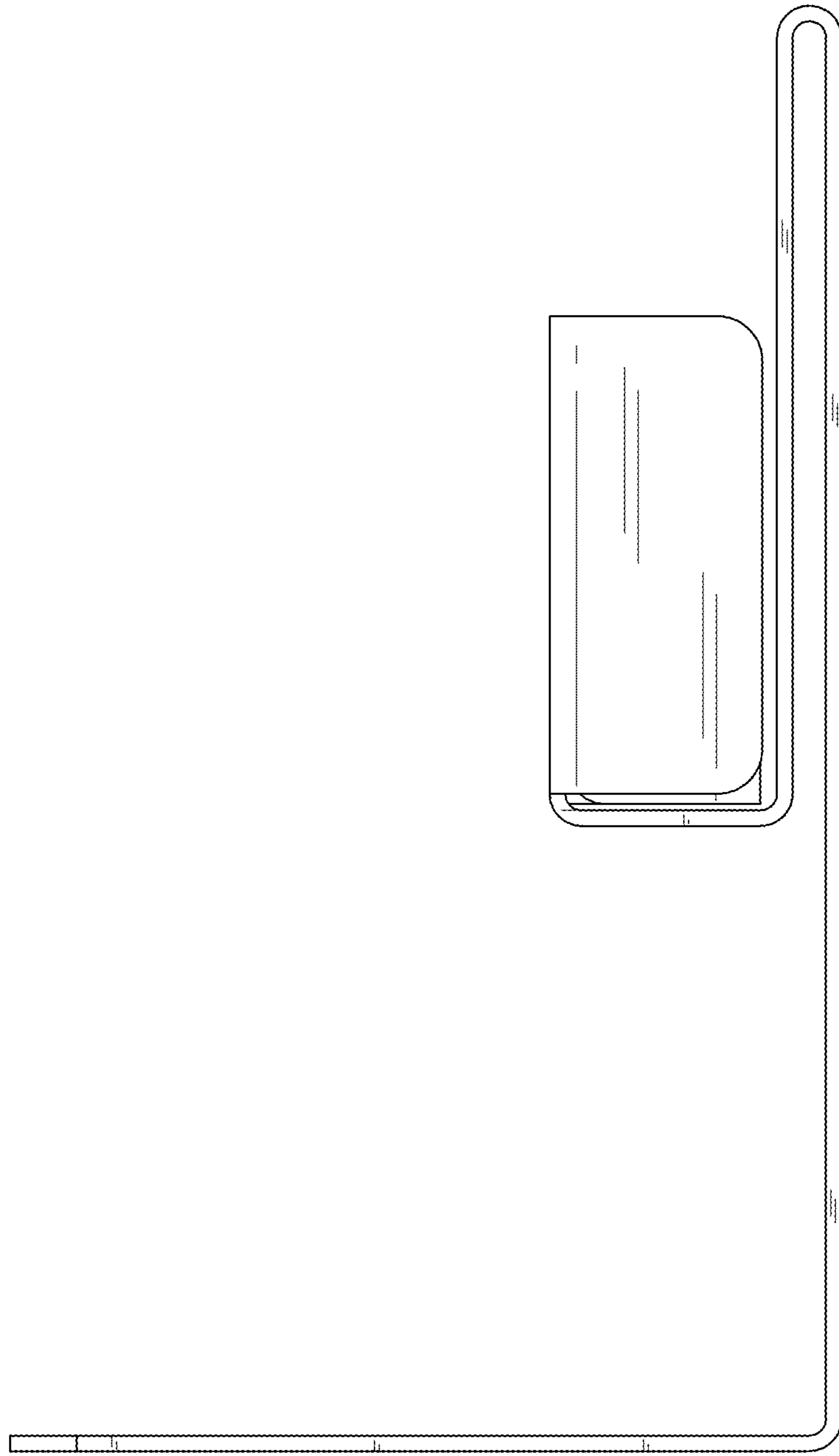


FIG. 3

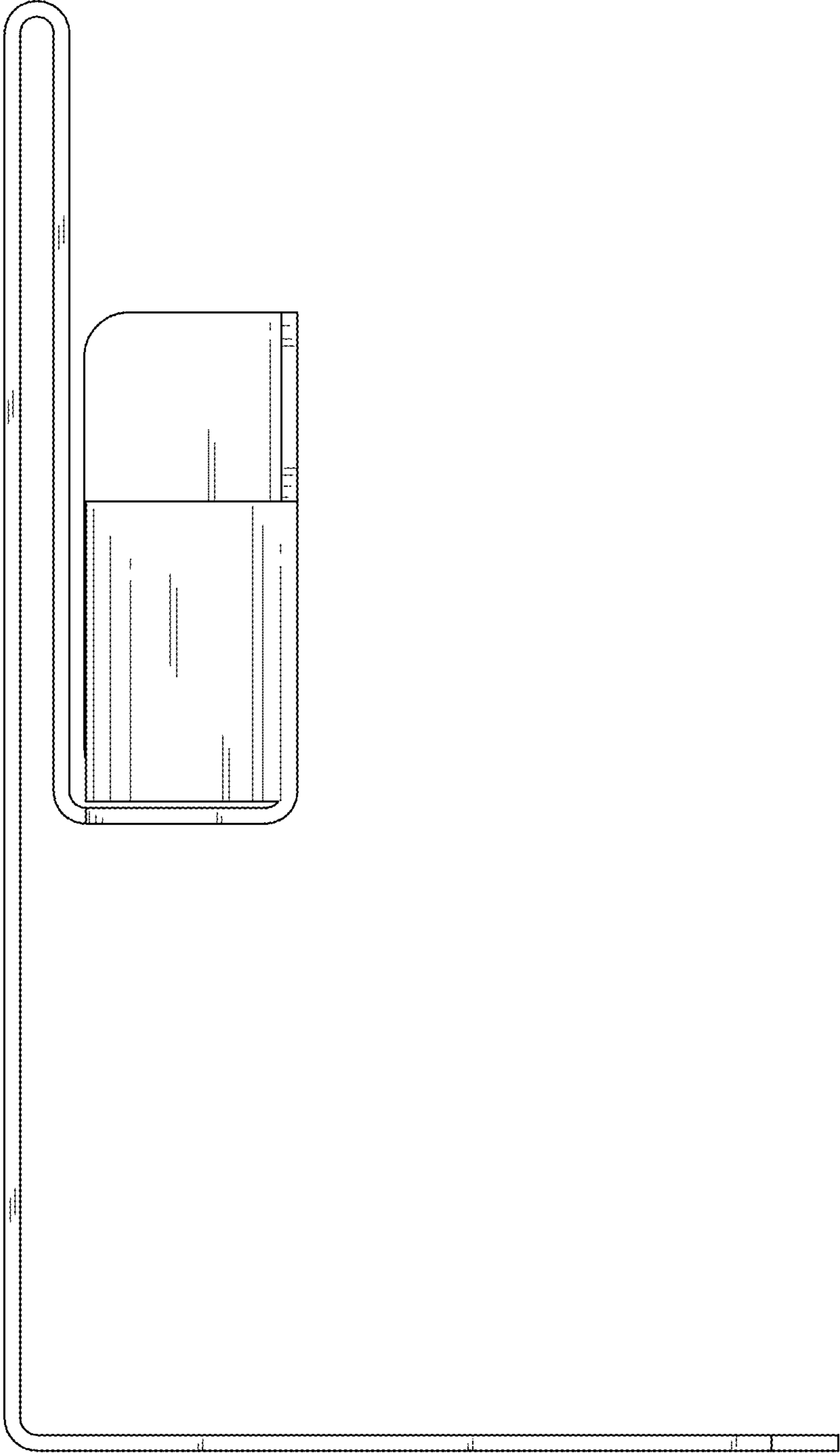


FIG. 4

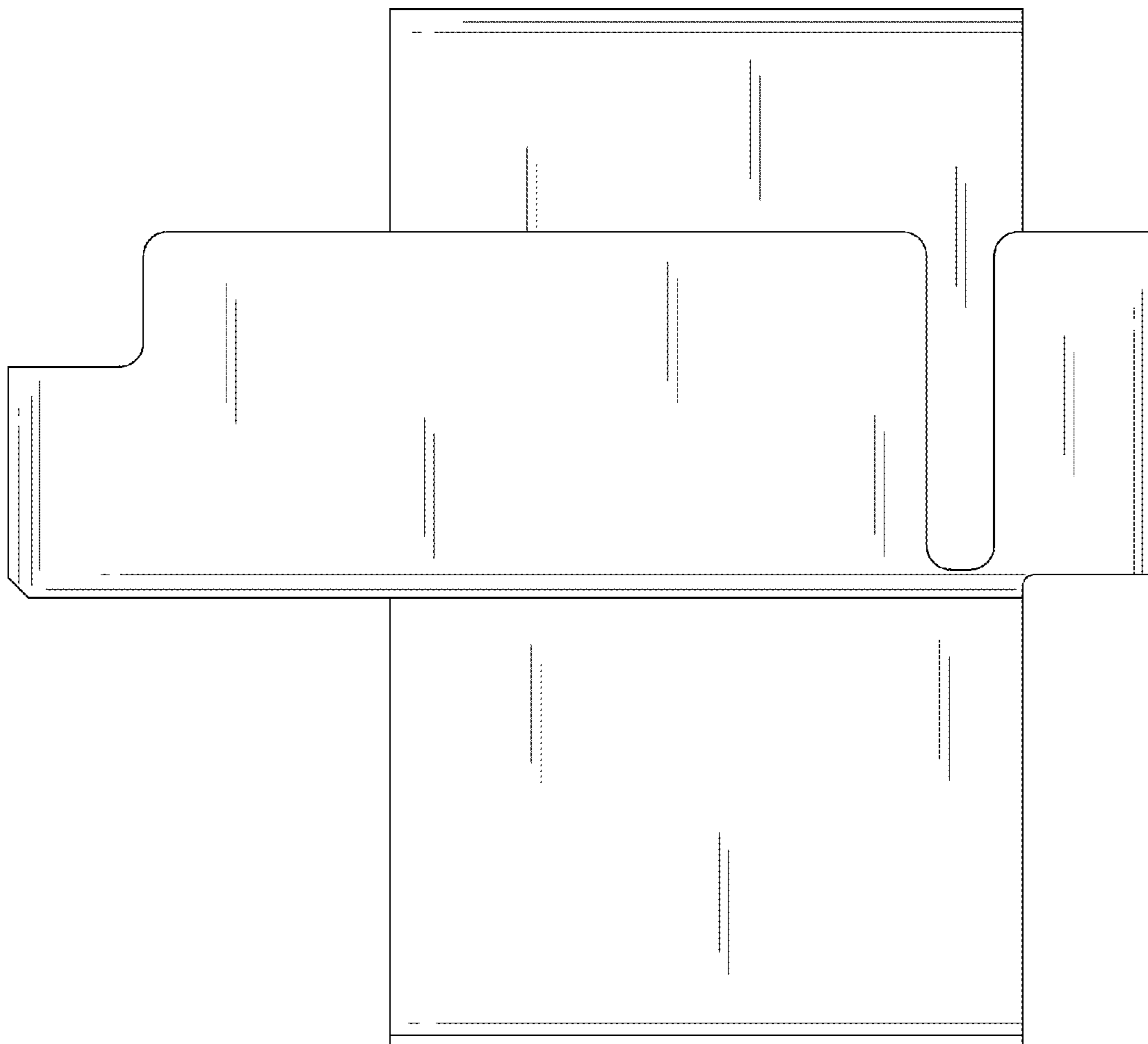


FIG. 5

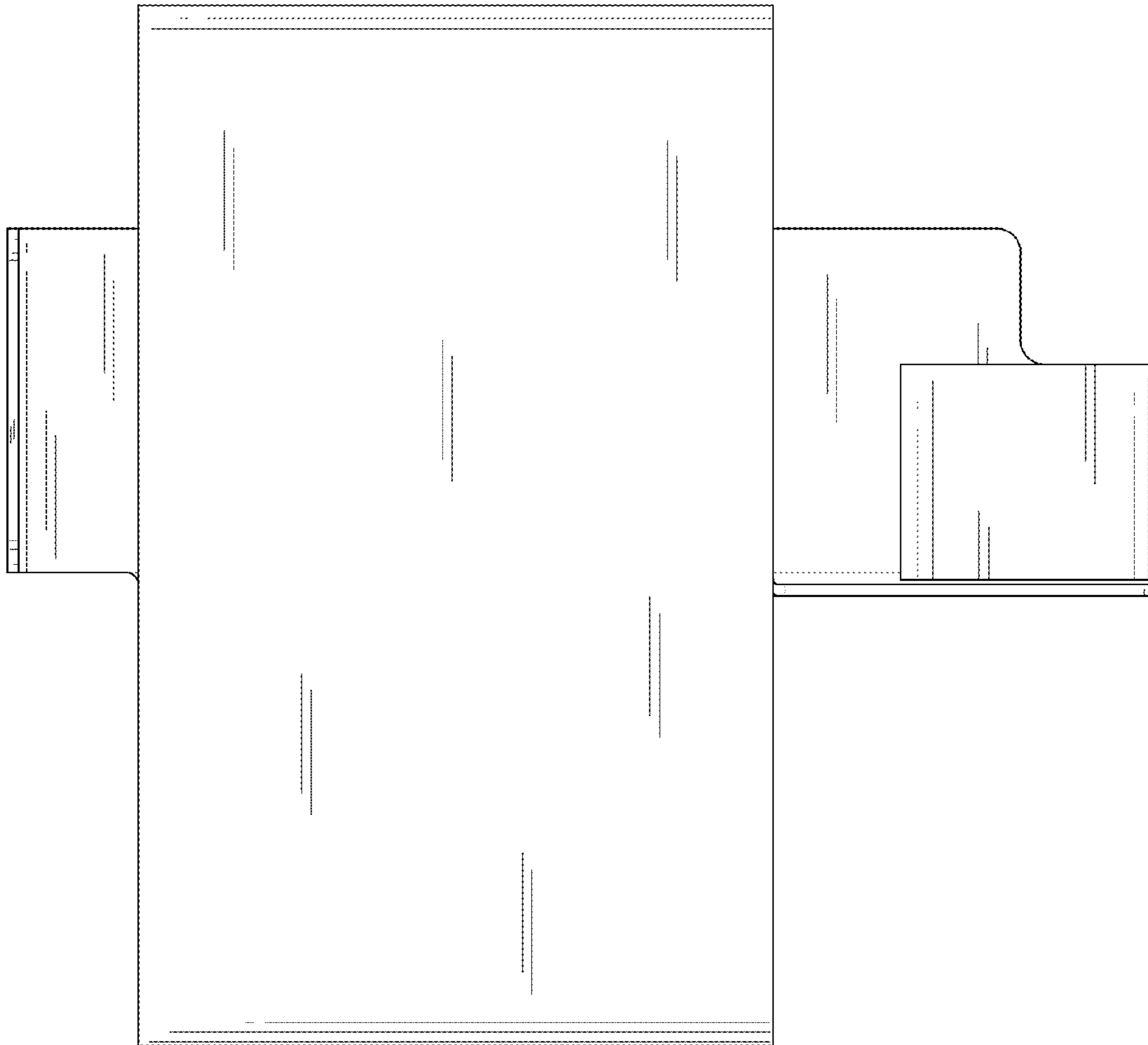


FIG. 6

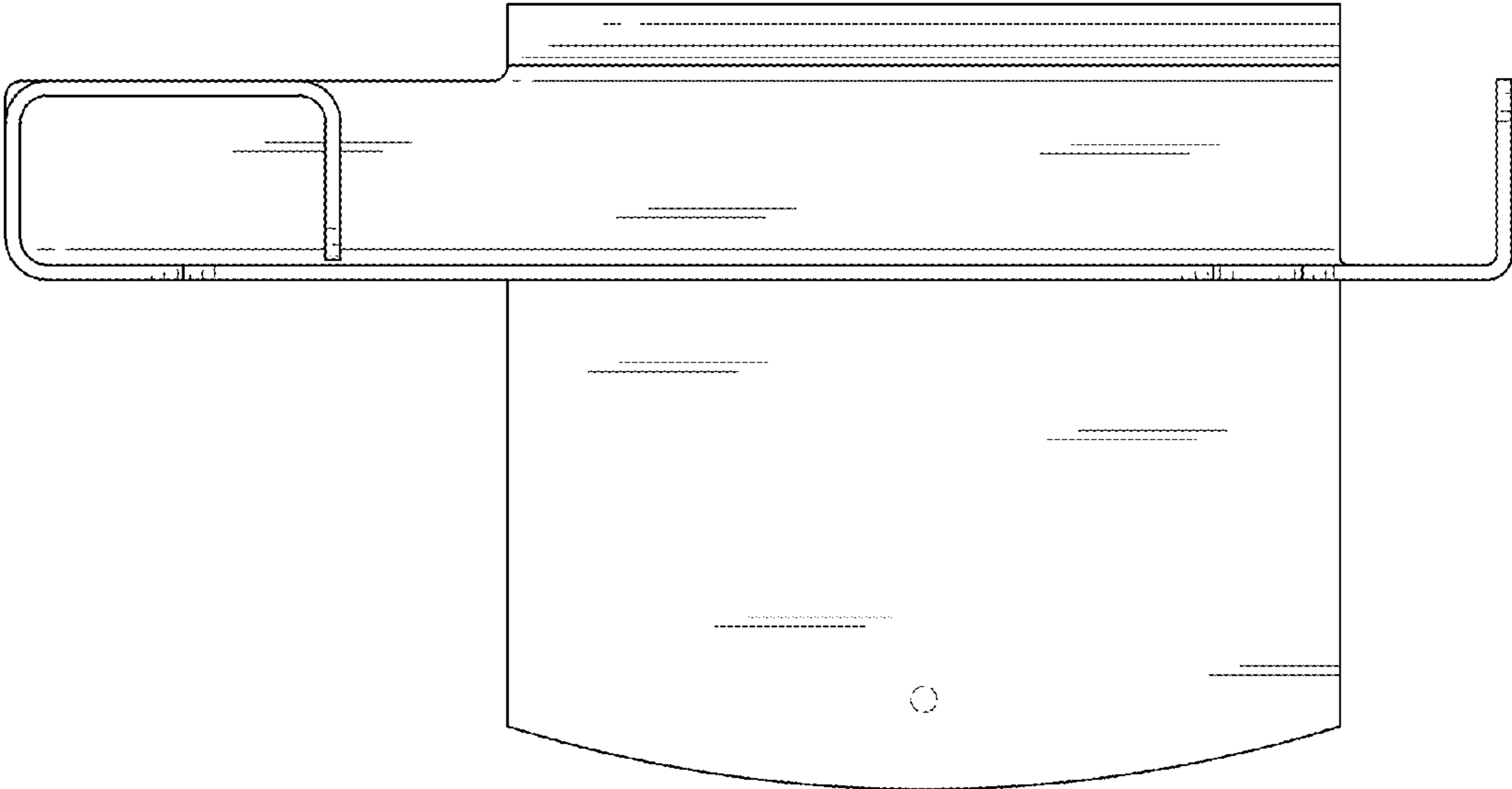


FIG. 7

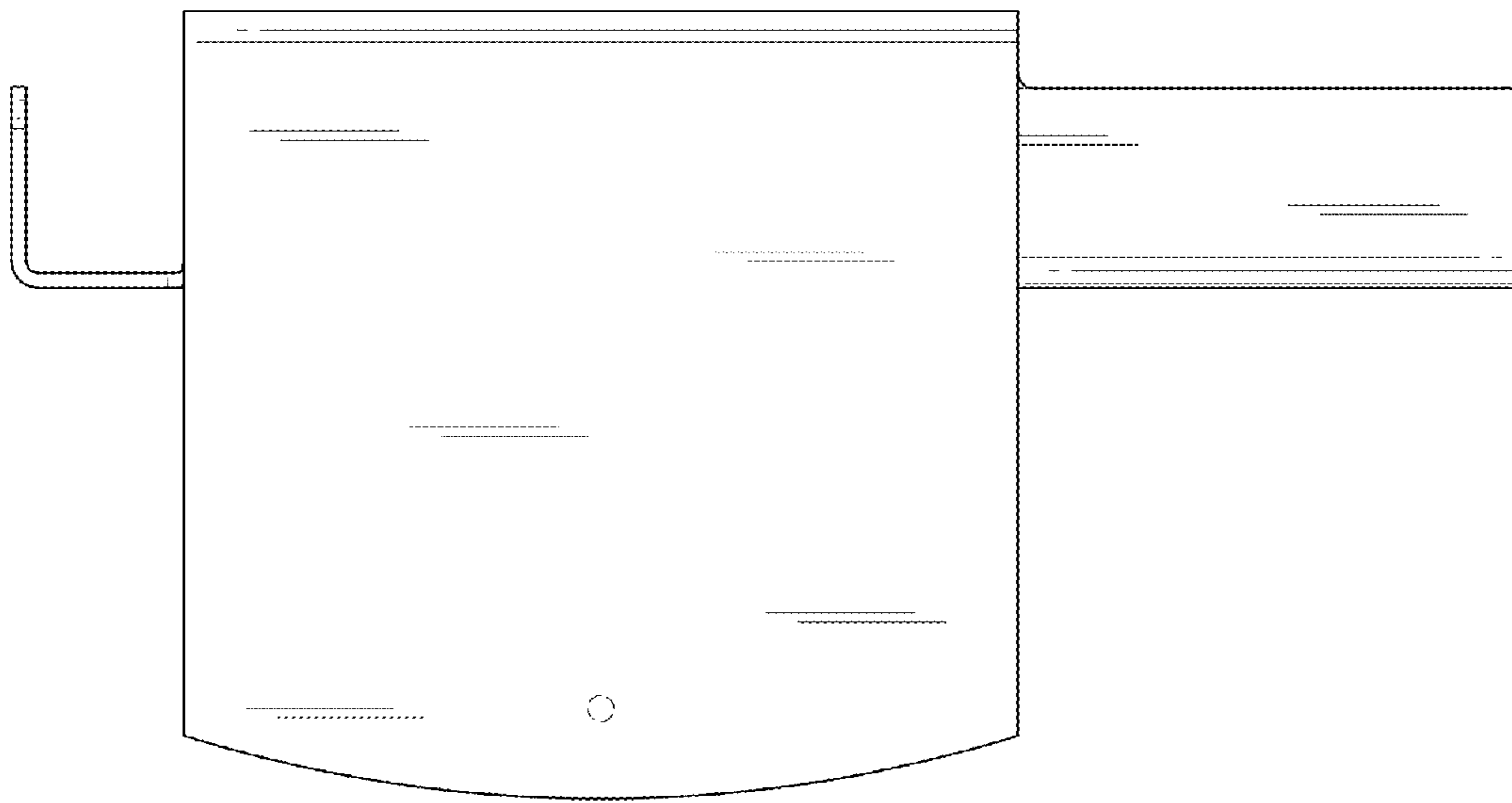


FIG. 8

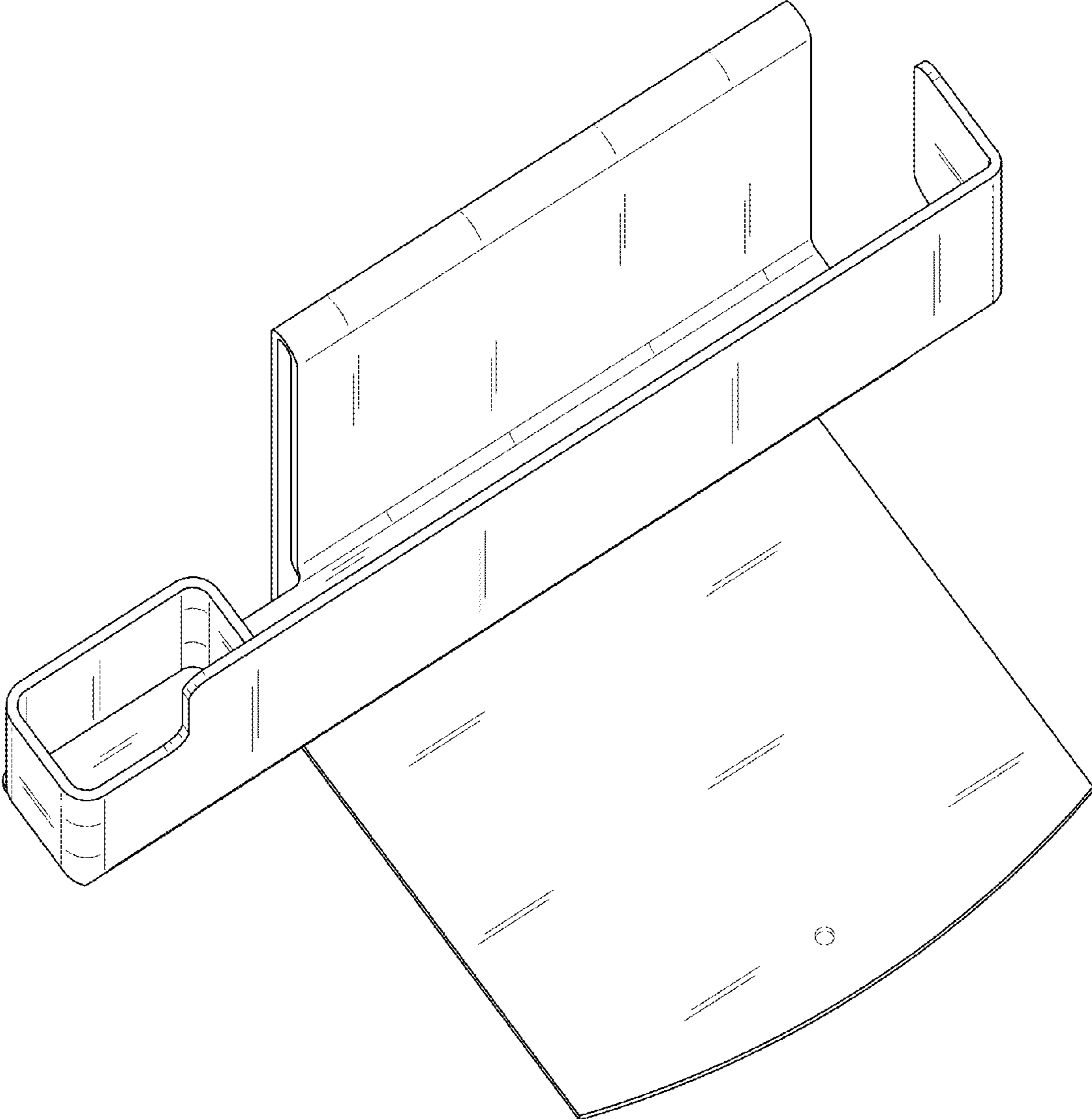


FIG. 9

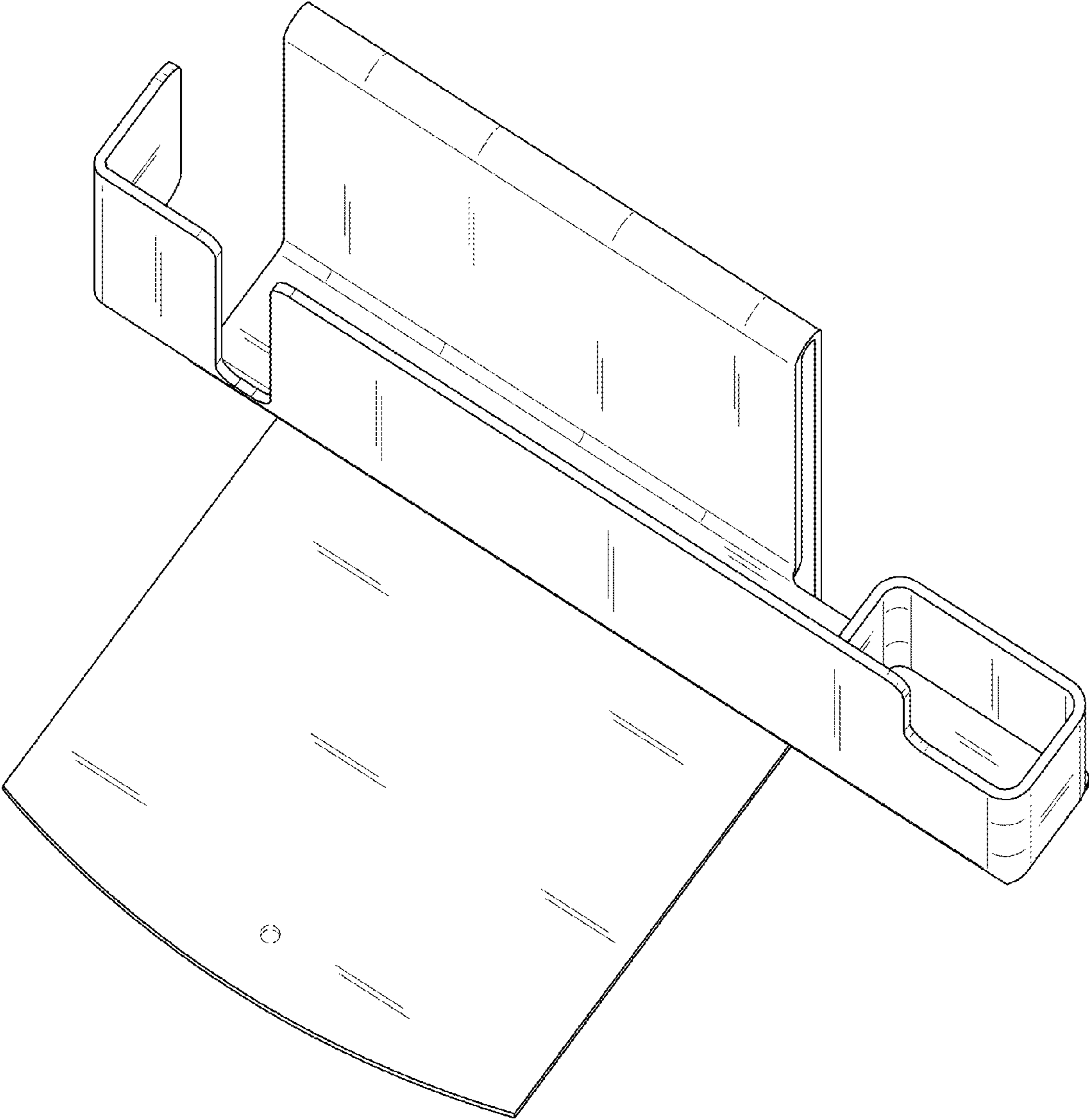


FIG. 10