



US00D681979S

(12) **United States Design Patent**
Keen et al.

(10) **Patent No.:** **US D681,979 S**
(45) **Date of Patent:** **** May 14, 2013**

- (54) **DESK**
- (75) Inventors: **Martin Keen**, Jamestown, RI (US);
Ryan M. Coyle, Providence, RI (US);
Diau P. Hall, Cranston, RI (US); **Justin W. Sirotin**, Providence, RI (US)
- (73) Assignee: **FocalUprightFurniture, LLC**,
Jamestown, RI (US)

5,054,852 A 10/1991 Tholkes
5,149,174 A 9/1992 Charash
5,295,728 A 3/1994 Schaevitz

(Continued)

FOREIGN PATENT DOCUMENTS

DE 8206113 U1 8/1982
DE 8416541 U1 8/1984

(Continued)

OTHER PUBLICATIONS

The Back Store, Barry Bennett Ltd., "Kango Stand Up Stool", http://shop.barrybennett.co.uk/Kango-Stand-Up_Stool_Height_Rangbe_70-90cm/product/82567/9710101/—accessed: Oct. 14, 2011.

(Continued)

Primary Examiner — Janice Seeger

(74) *Attorney, Agent, or Firm* — Barlow, Josephs & Holmes, Ltd.

(57) **CLAIM**

The ornamental design for a desk, as shown.

- (**) Term: **14 Years**
- (21) Appl. No.: **29/422,098**
- (22) Filed: **May 16, 2012**
- (51) **LOC (9) Cl.** **06-03**
- (52) **U.S. Cl.**
USPC **D6/480**
- (58) **Field of Classification Search** D6/480–489,
D6/495, 496, 499, 511, 429, 656.16, 656.19,
D6/642; 108/150, 153.1, 155, 157, 161,
108/25, 50.12, 38, 50.01, 50.02
See application file for complete search history.

(56) **References Cited**

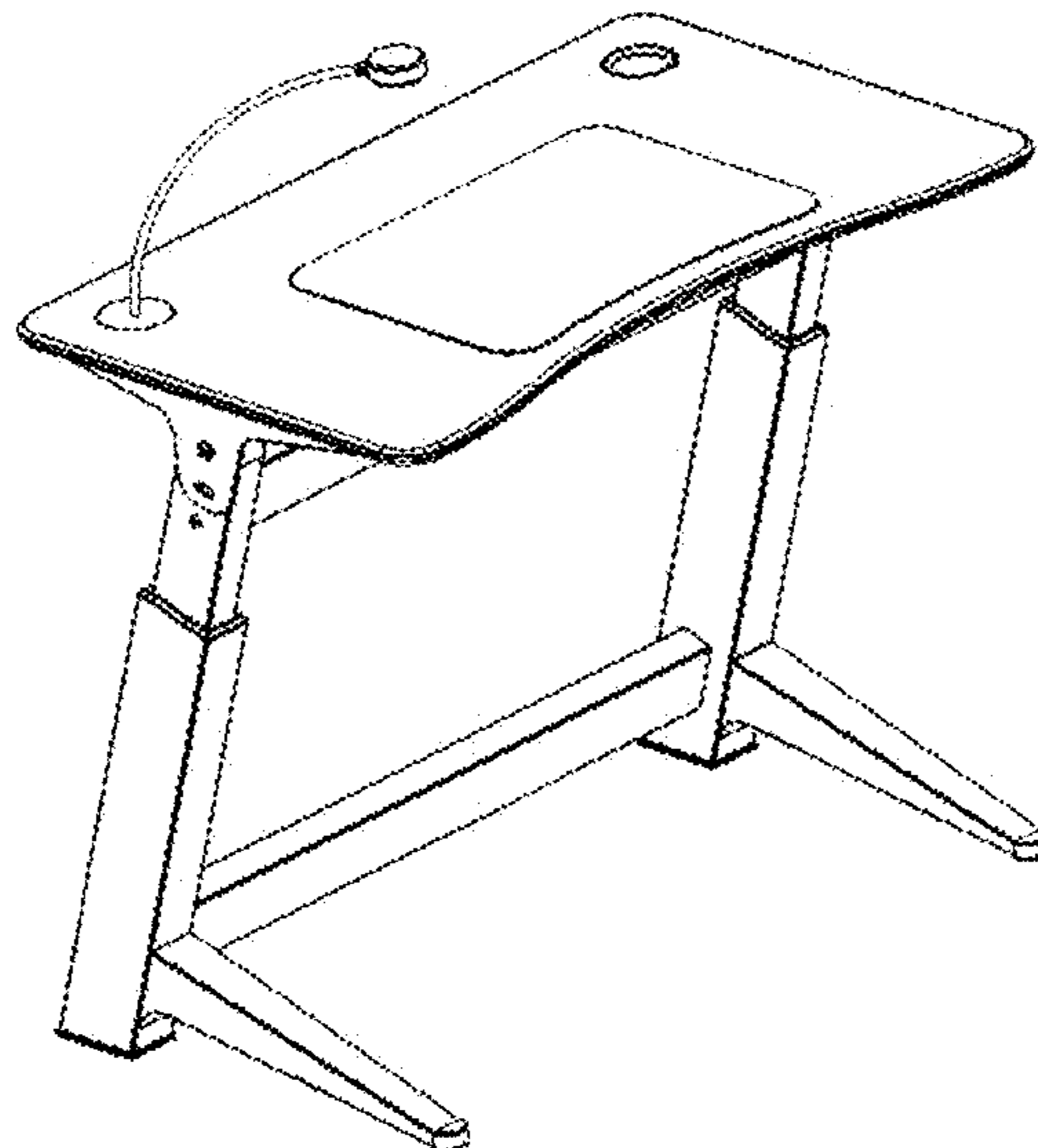
U.S. PATENT DOCUMENTS

483,266 A	9/1892	Schindler	
1,209,254 A	12/1916	Blizard	
1,731,375 A	10/1929	Engers	
2,551,996 A	5/1951	Cherubini	
3,312,437 A	4/1967	Barth	
D208,709 S *	9/1967	Barecki	D6/397
3,370,556 A *	2/1968	Kooi	108/136
3,704,847 A	12/1972	Schmitt	
D242,317 S *	11/1976	Hofmann	D6/399
4,099,697 A	7/1978	Von Schuckmann	
4,130,263 A	12/1978	Roericht	
4,685,733 A	8/1987	Machate et al.	
4,738,487 A	4/1988	Shalinsky et al.	
4,981,085 A *	1/1991	Watt	108/147
5,042,716 A	8/1991	Robbins	

DESCRIPTION

FIG. 1 is a front left perspective view of the desk showing the new design;
FIG. 2 is a front right perspective view thereof;
FIG. 3 is a bottom left perspective view thereof;
FIG. 4 is a bottom right perspective view thereof;
FIG. 5 is a rear perspective view thereof;
FIG. 6 is a left view thereof;
FIG. 7 is a right view thereof;
FIG. 8 is a front view thereof;
FIG. 9 is a rear view thereof;
FIG. 10 is a top view thereof; and,
FIG. 11 is a bottom view thereof.

1 Claim, 11 Drawing Sheets



US D681,979 S

Page 2

U.S. PATENT DOCUMENTS

5,303,981 A 4/1994 Wilder et al.
D349,820 S 8/1994 Schaevitz
D352,845 S * 11/1994 Hellwig et al. D6/422
5,409,296 A 4/1995 Barile
5,630,648 A 5/1997 Allard et al.
D424,828 S * 5/2000 Ko D6/429
6,088,946 A 7/2000 Simmons
D467,745 S 12/2002 Ryan
6,644,748 B2 11/2003 Tholkes et al.
6,679,554 B2 1/2004 Anders
6,793,284 B1 9/2004 Johnson et al.
6,820,936 B2 11/2004 Wilkerson et al.
6,997,511 B2 2/2006 Marchand et al.
7,293,825 B2 11/2007 Vergara et al.
7,314,248 B2 1/2008 Mabon et al.
7,367,623 B2 5/2008 Tholkes et al.
7,401,856 B2 7/2008 Marchand et al.
7,478,878 B2 1/2009 Oettinger
7,614,639 B2 11/2009 Tholkes et al.
D604,963 S * 12/2009 Potter D6/480

FOREIGN PATENT DOCUMENTS

EP 1932451 A1 6/2008
JP 2002028043 A 1/2002
WO 2008034529 A2 3/2008

OTHER PUBLICATIONS

Workalicious, "Stitz Task Stool by Wilkhahn", "http://www.workalicious.org/2009/04/sitz-task-stool-by-wilkhahn_4209.html"—accessed: Oct. 14, 2011.
Nextag, "Rhino STOHI Sit/Stand Stool with Cleanroom Option", <http://www.nextag.com/RhinoStoh1-Sit-Stand-544620106/prices.html>—accessed: Mar. 21, 2012.
Swopper.com.au, "Muvman Sit Stand Chair", <http://www.swopper.com.au/muvman.php>—accessed: Mar. 21, 2012.
US Dept. Of Labor—OSHA, "Sit Stand Stools", http://www.osha.gov/SLTC/etools/poultry/additional_material.html—accessed: Mar. 21, 2012.

* cited by examiner

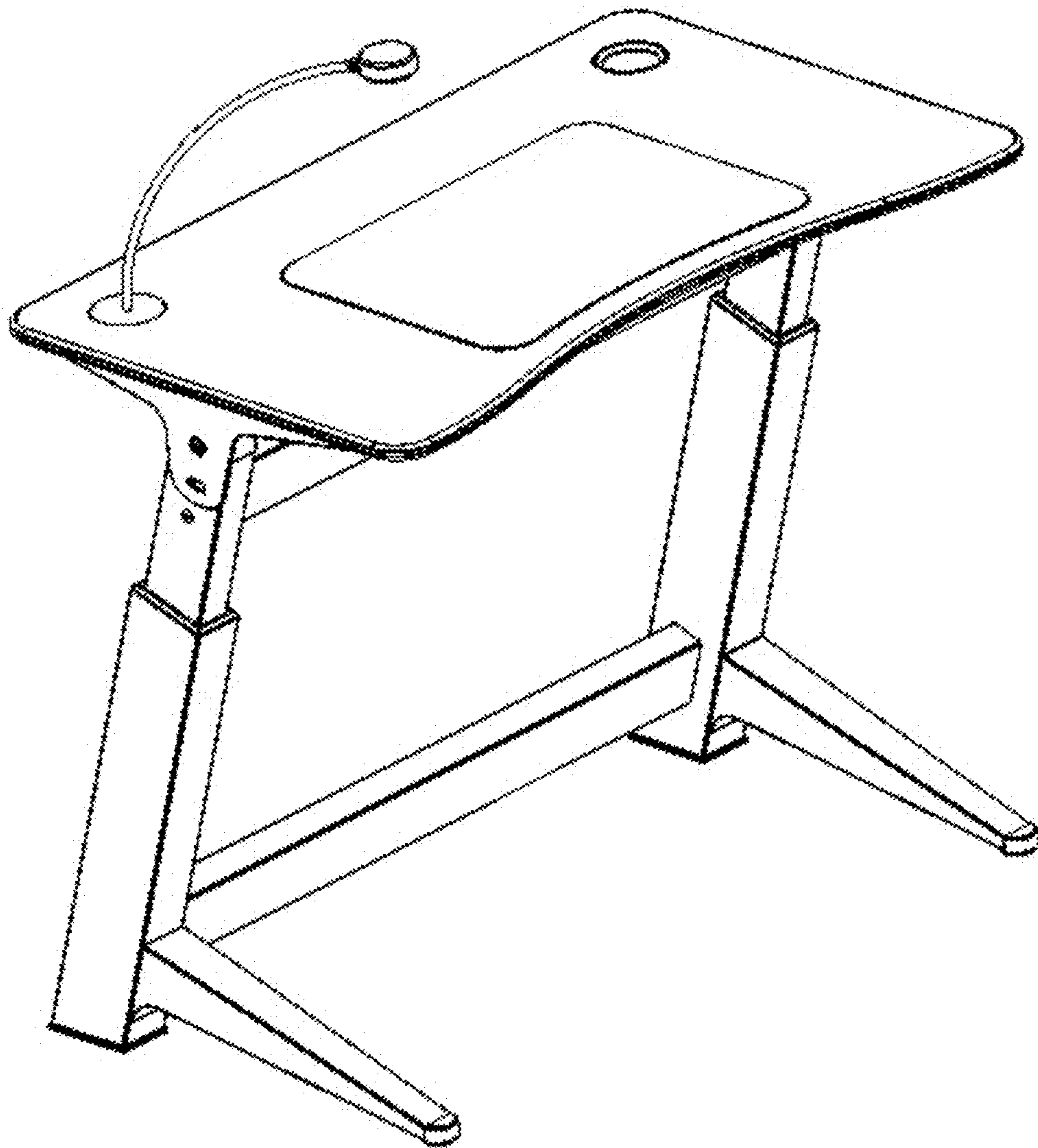


Fig. 1

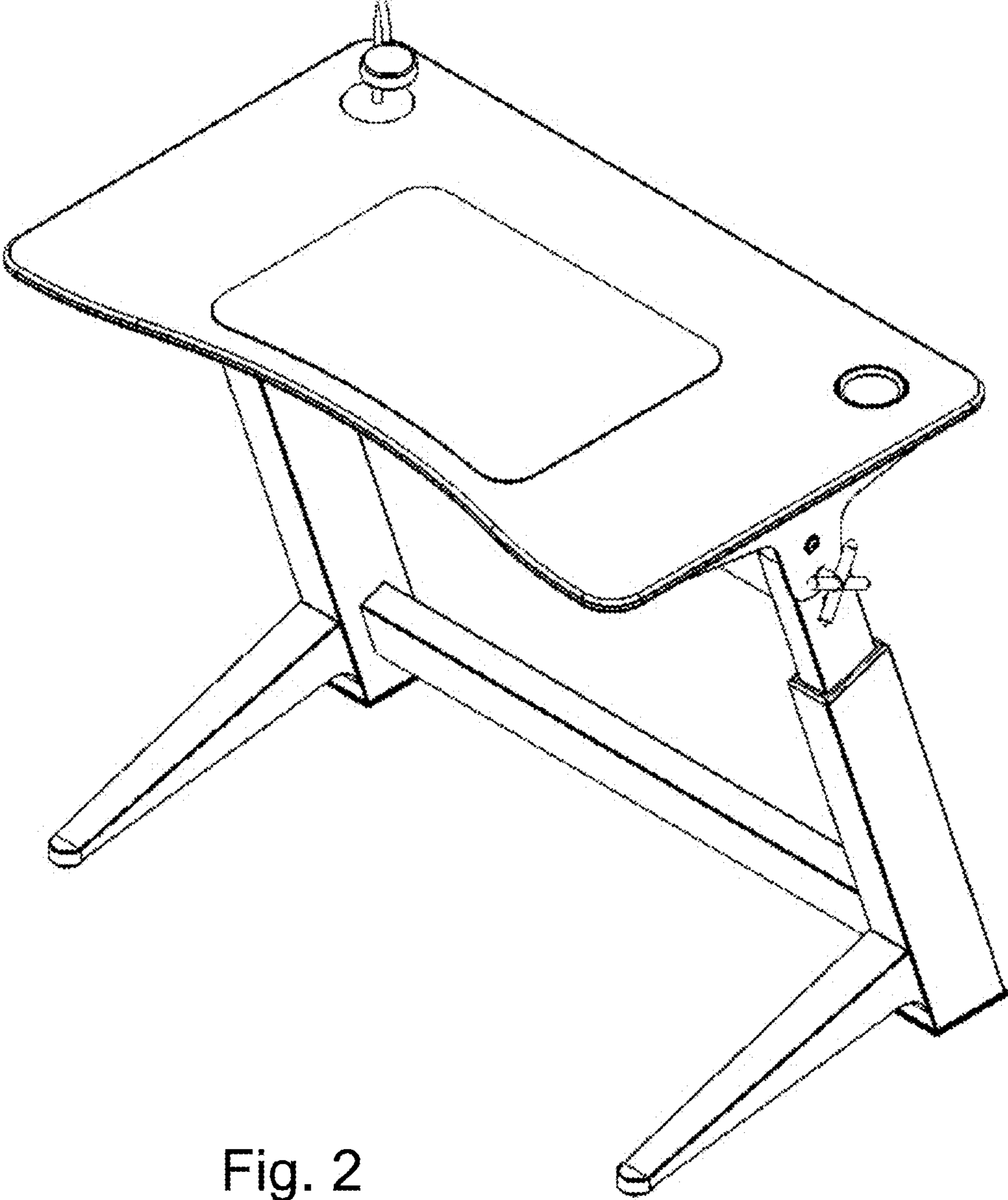


Fig. 2

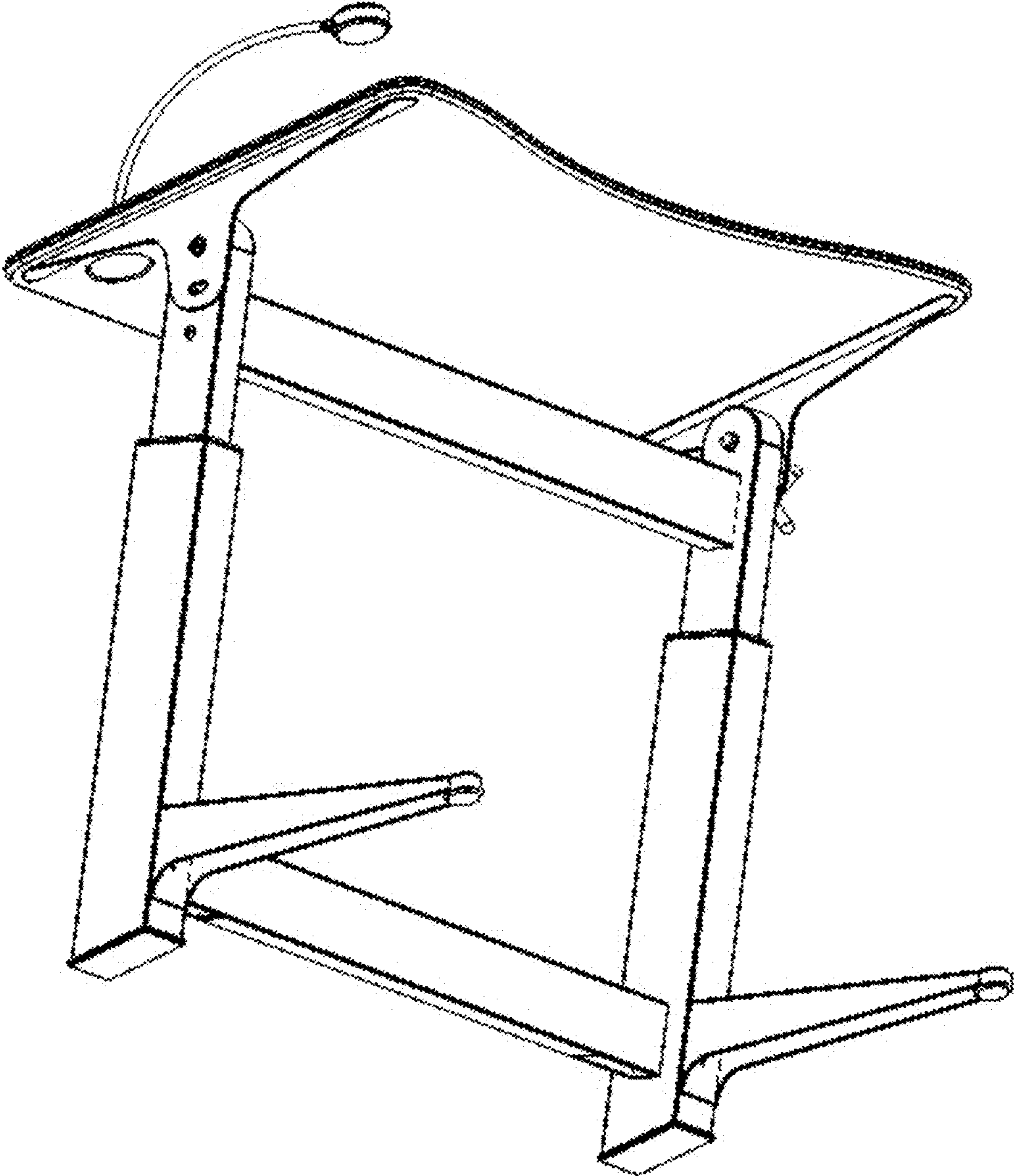


Fig. 3

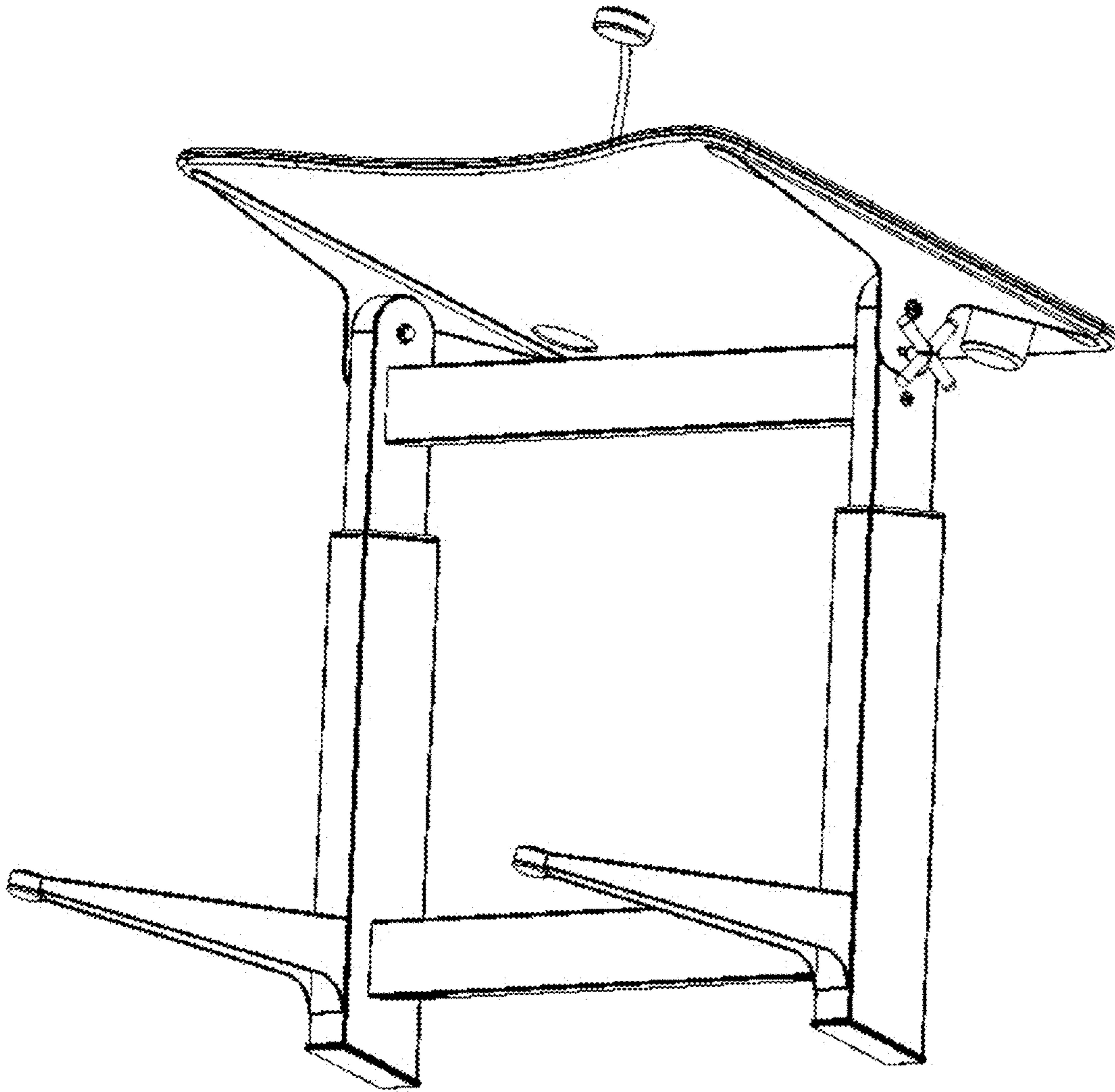


Fig. 4

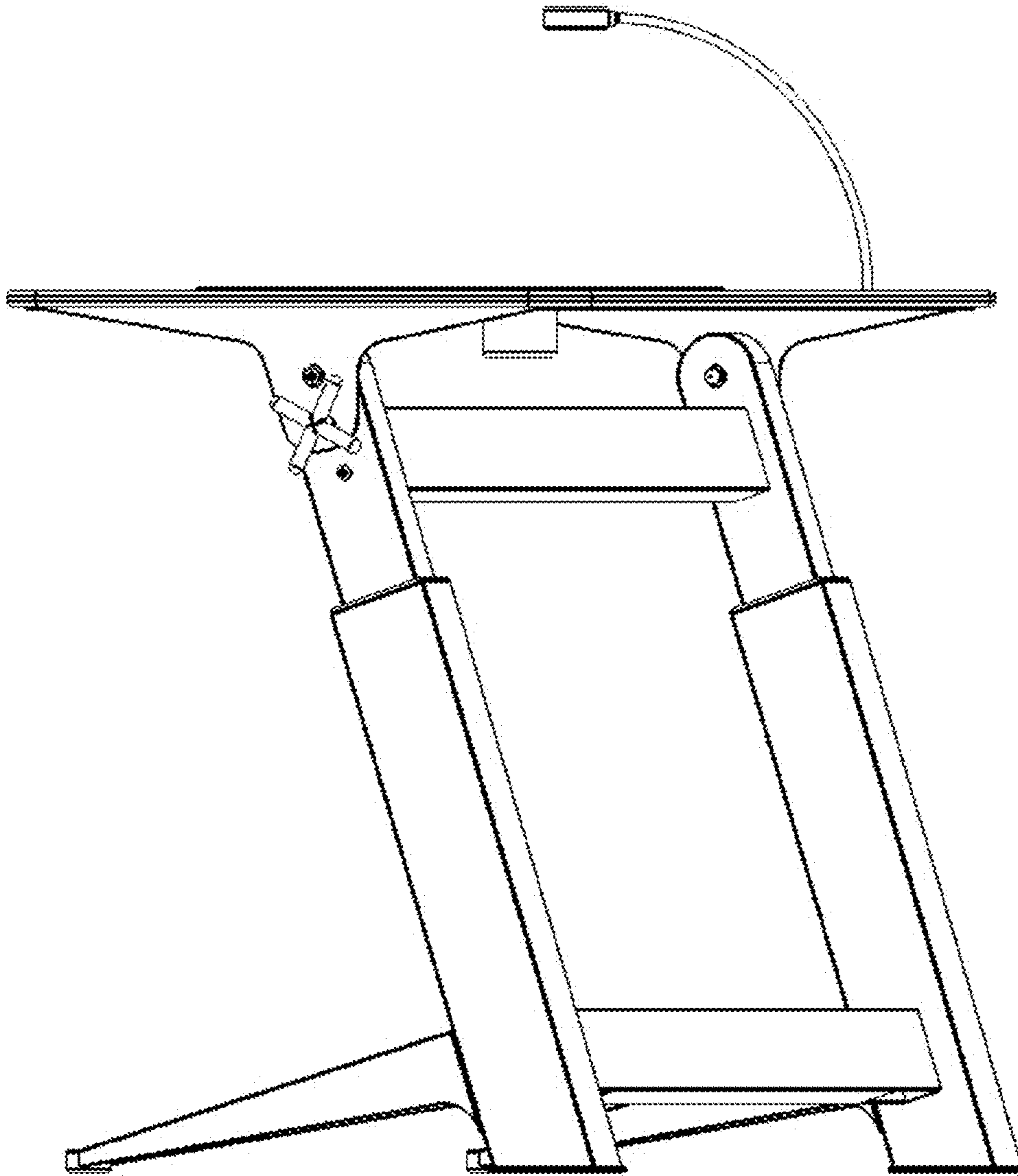


Fig. 5

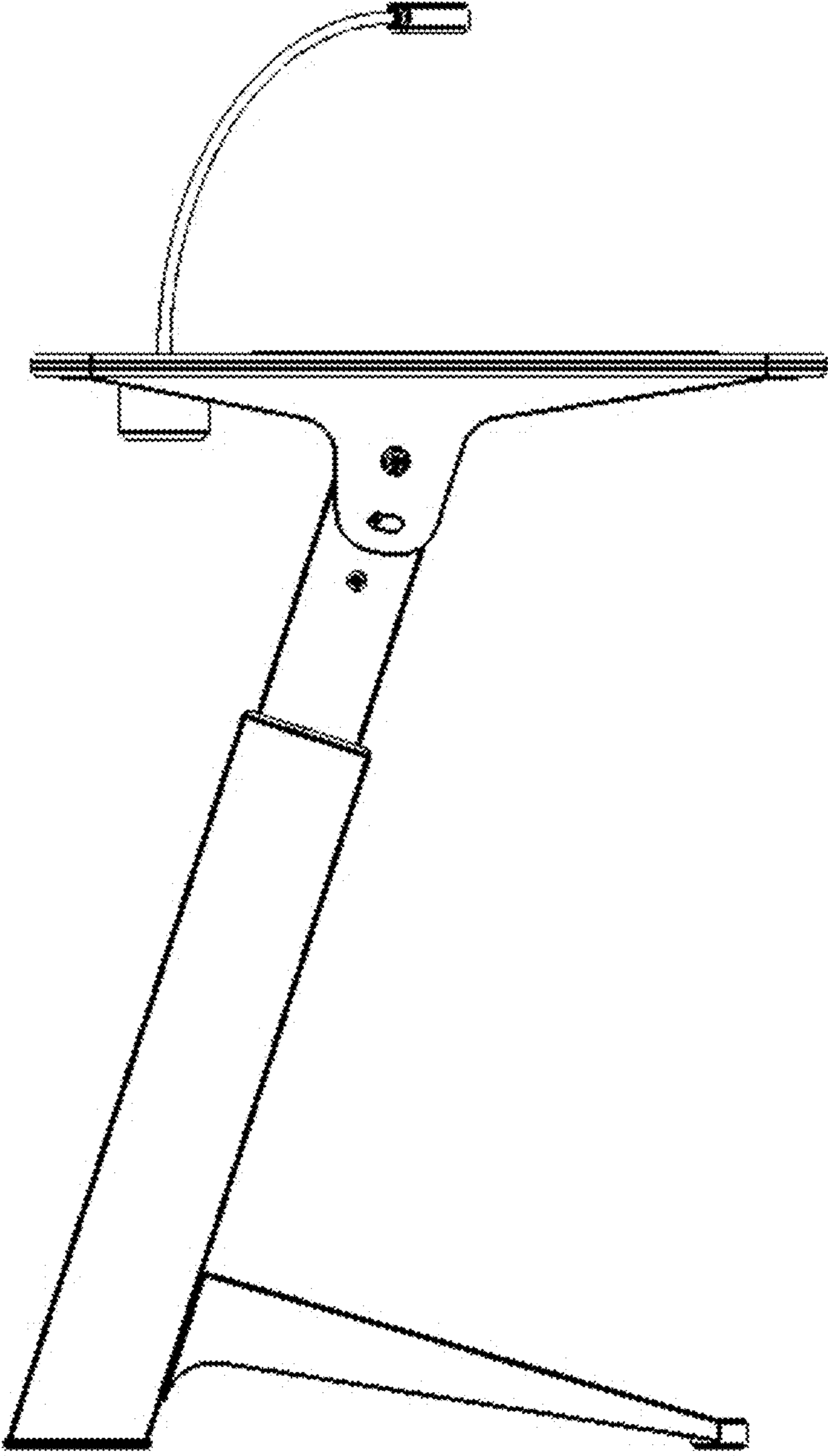


Fig. 6

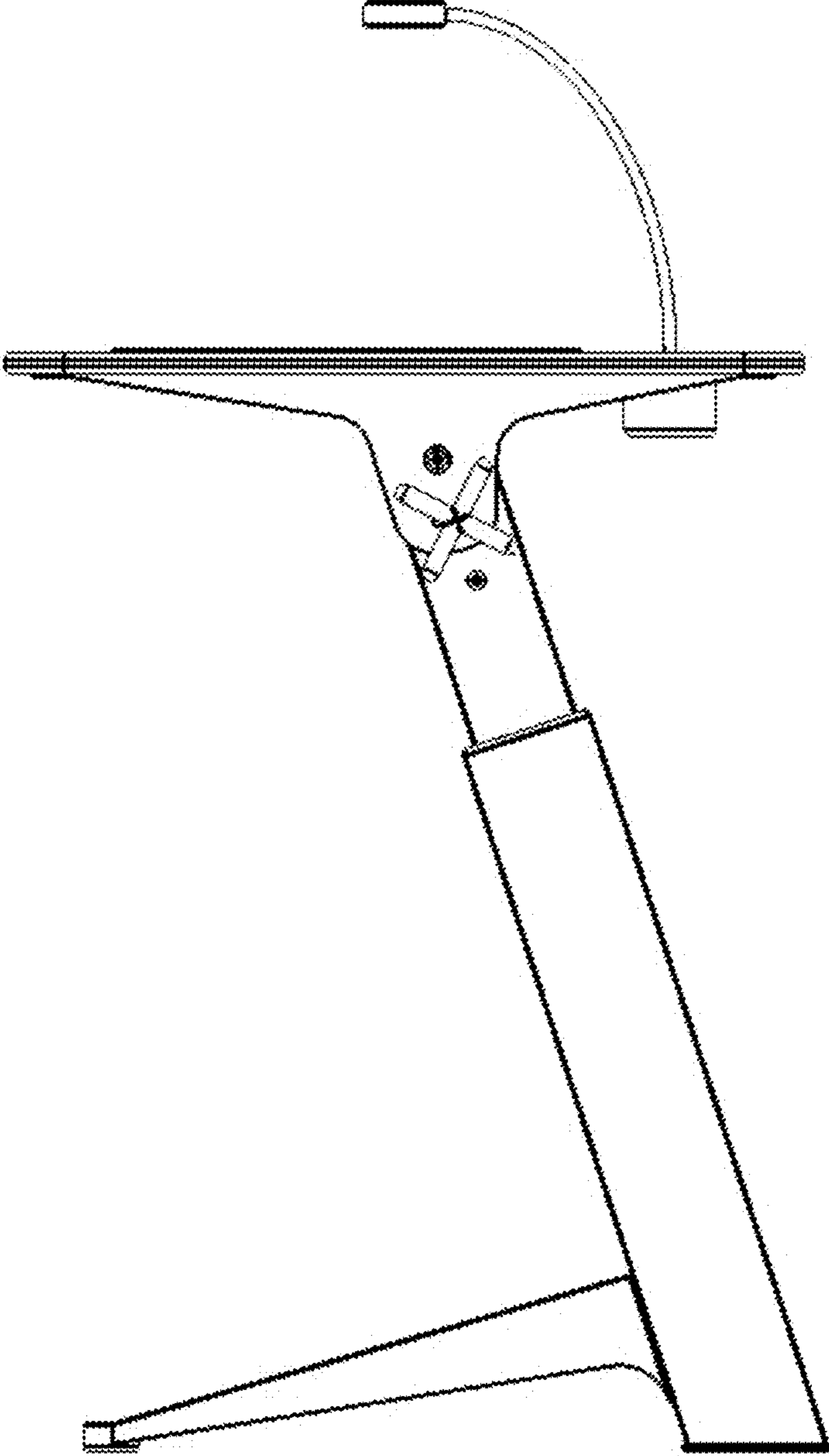


Fig. 7

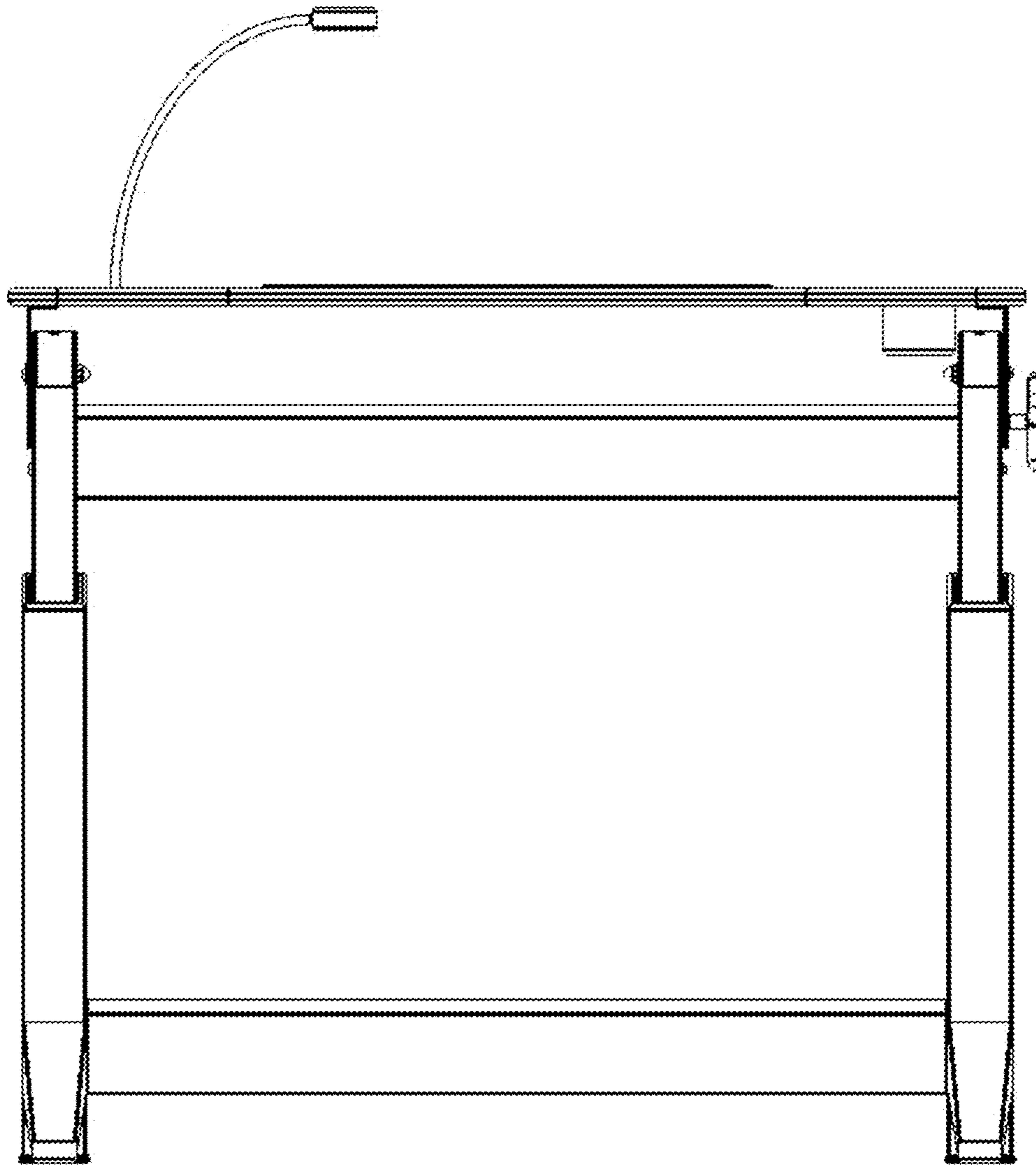


Fig. 8

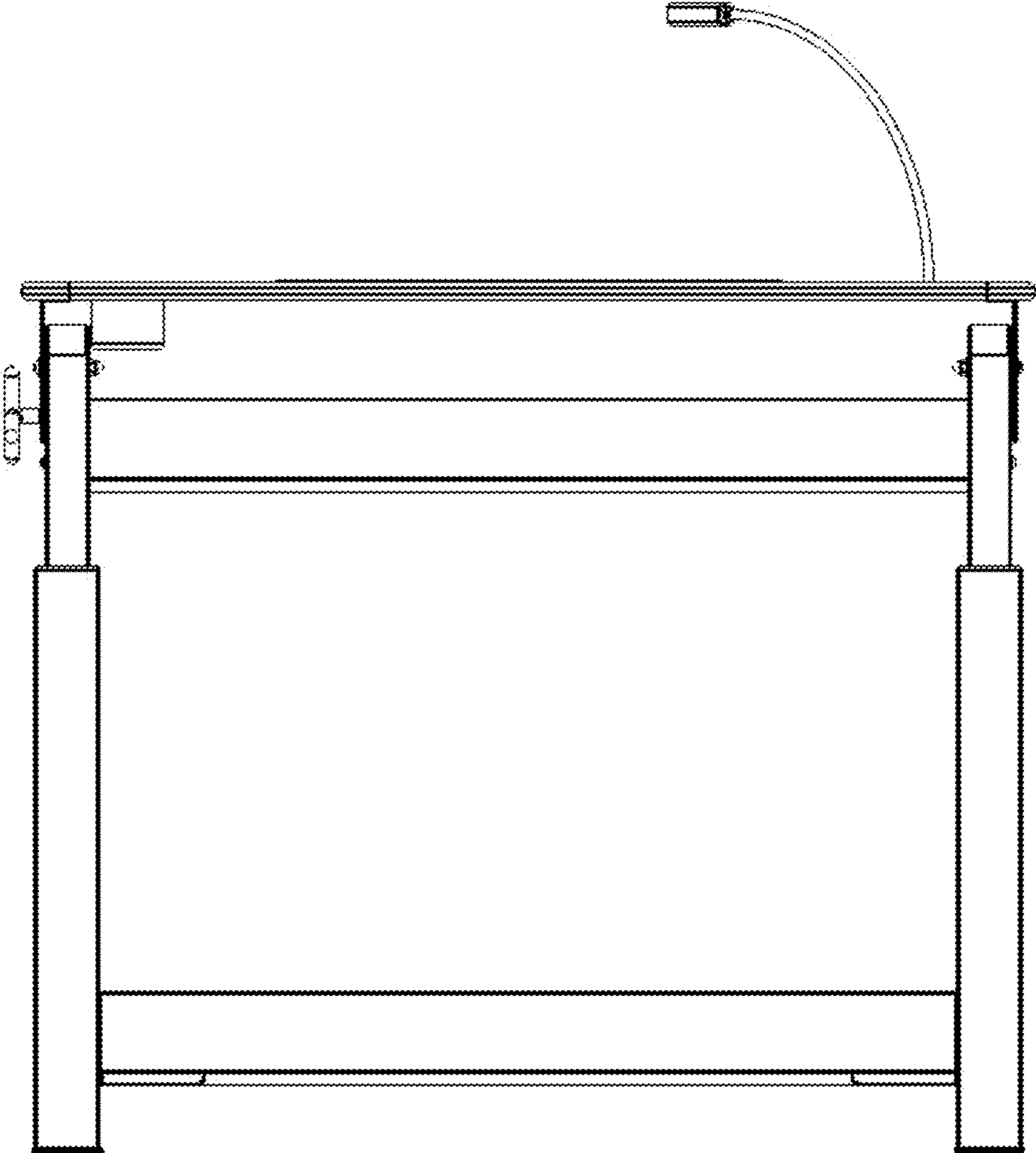


Fig. 9

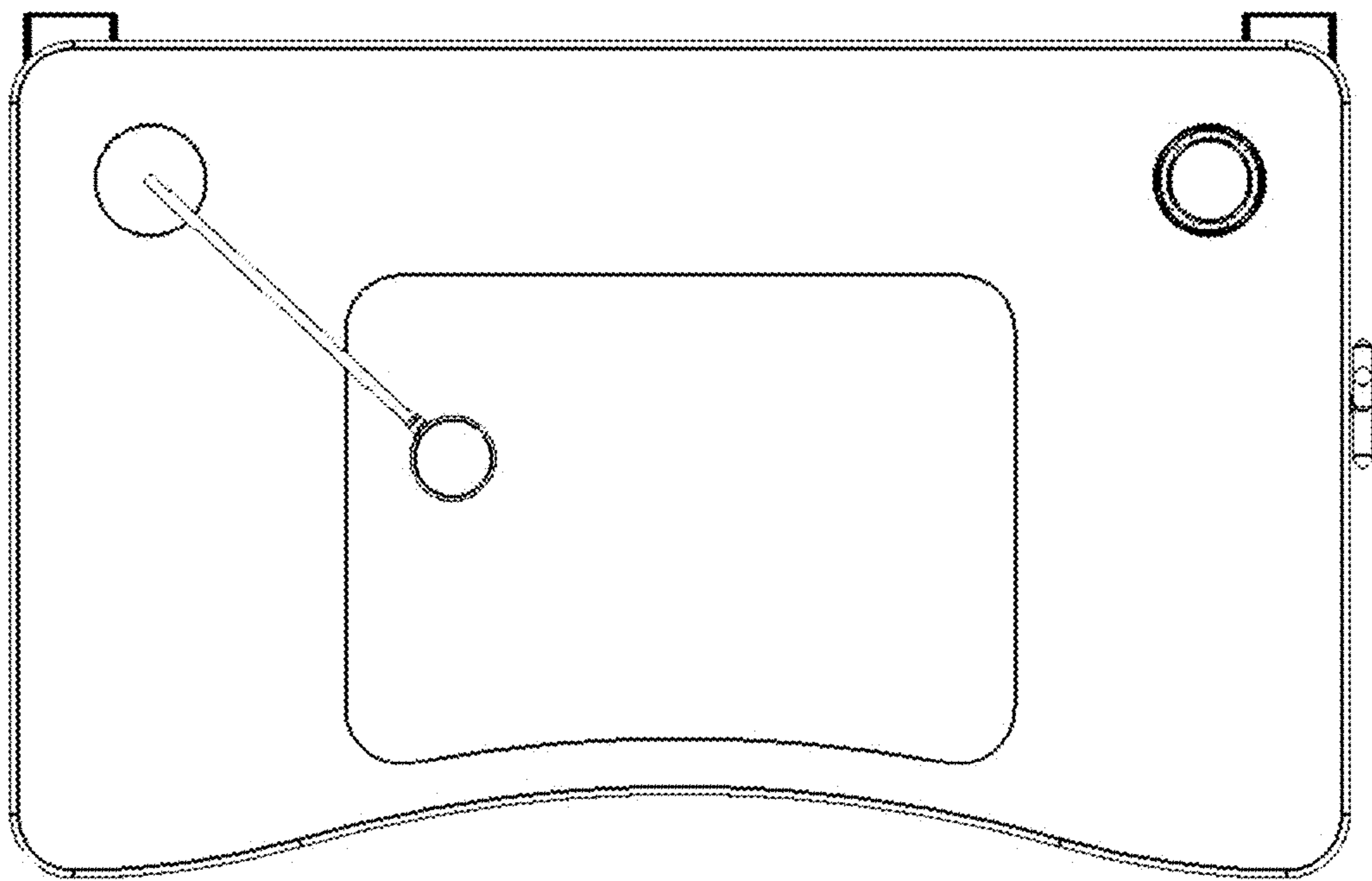


Fig. 10

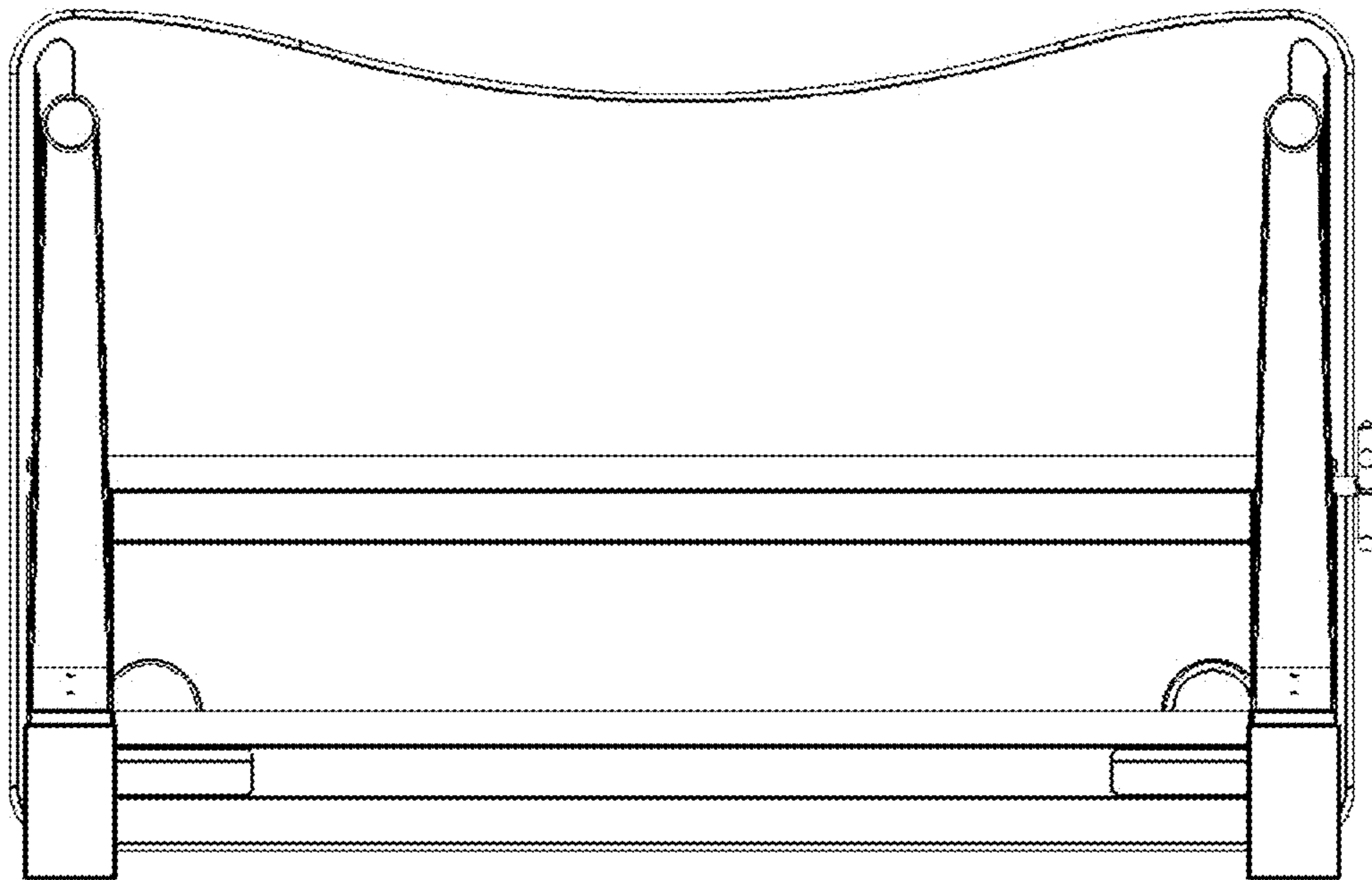


Fig. 11