



US00D681976S

(12) **United States Design Patent**  
**Higgins**

(10) **Patent No.:** **US D681,976 S**

(45) **Date of Patent:** **\*\* May 14, 2013**

(54) **TRIPLE END CAP**

(75) Inventor: **Stephen L. Higgins**, Alamo, CA (US)

(73) Assignee: **Beverages and More, Inc.**, Concord, CA (US)

(\*\*) Term: **14 Years**

(21) Appl. No.: **29/403,691**

(22) Filed: **Oct. 10, 2011**

(51) **LOC (9) Cl.** ..... **06-06**

(52) **U.S. Cl.**  
USPC ..... **D6/477**

(58) **Field of Classification Search** ..... D6/477-479,  
D6/480-489, 495-499, 511-512, 436; 408/153.1,  
408/155; 248/188, 188.1

See application file for complete search history.

(56) **References Cited**

U.S. PATENT DOCUMENTS

D102,806 S	1/1937	Thompson	
2,433,748 A *	12/1947	Eide	108/101
D152,371 S	1/1949	Schick	
2,496,221 A	1/1950	Koch	
2,540,353 A *	2/1951	Schick	108/92
2,705,179 A	3/1955	Hodgin	
D260,213 S	8/1981	Crespi	
D287,444 S *	12/1986	Norling et al.	D6/474
4,655,352 A	4/1987	Noyes et al.	
D300,701 S *	4/1989	Jonker	D6/474
4,951,827 A	8/1990	Moransais	
D321,101 S	10/1991	Zucker	
D351,076 S *	10/1994	Eliadis et al.	D6/476
D352,198 S *	11/1994	Wright et al.	D6/574
D356,222 S	3/1995	Wenzel-Murphy et al.	
D363,840 S *	11/1995	Weshler	D6/476
D368,396 S *	4/1996	Bidwell	D6/479
D375,640 S	11/1996	Marx	
D389,673 S	1/1998	Mulvihill	
D400,030 S *	10/1998	Wetzel	D6/474

D401,084 S *	11/1998	Martin	D6/474
D421,349 S *	3/2000	Pierson	D6/436
D439,436 S *	3/2001	Stern	D6/409
D451,703 S *	12/2001	All	D6/460
D550,984 S *	9/2007	Thompson	D6/477
D562,596 S *	2/2008	Maldonado	D6/478
D566,426 S *	4/2008	Stenhouse et al.	D6/474
D607,670 S *	1/2010	Trinh et al.	D6/478
D637,422 S *	5/2011	Theisen et al.	D6/478
8,167,253 B2 *	5/2012	Smith	248/125.3
2008/0121146 A1 *	5/2008	Burns et al.	108/23

OTHER PUBLICATIONS

Catalog, Madix, Inc., p. 13, 2010.

\* cited by examiner

Primary Examiner — Kelley Donnelly

(74) Attorney, Agent, or Firm — Steven R. Vosen

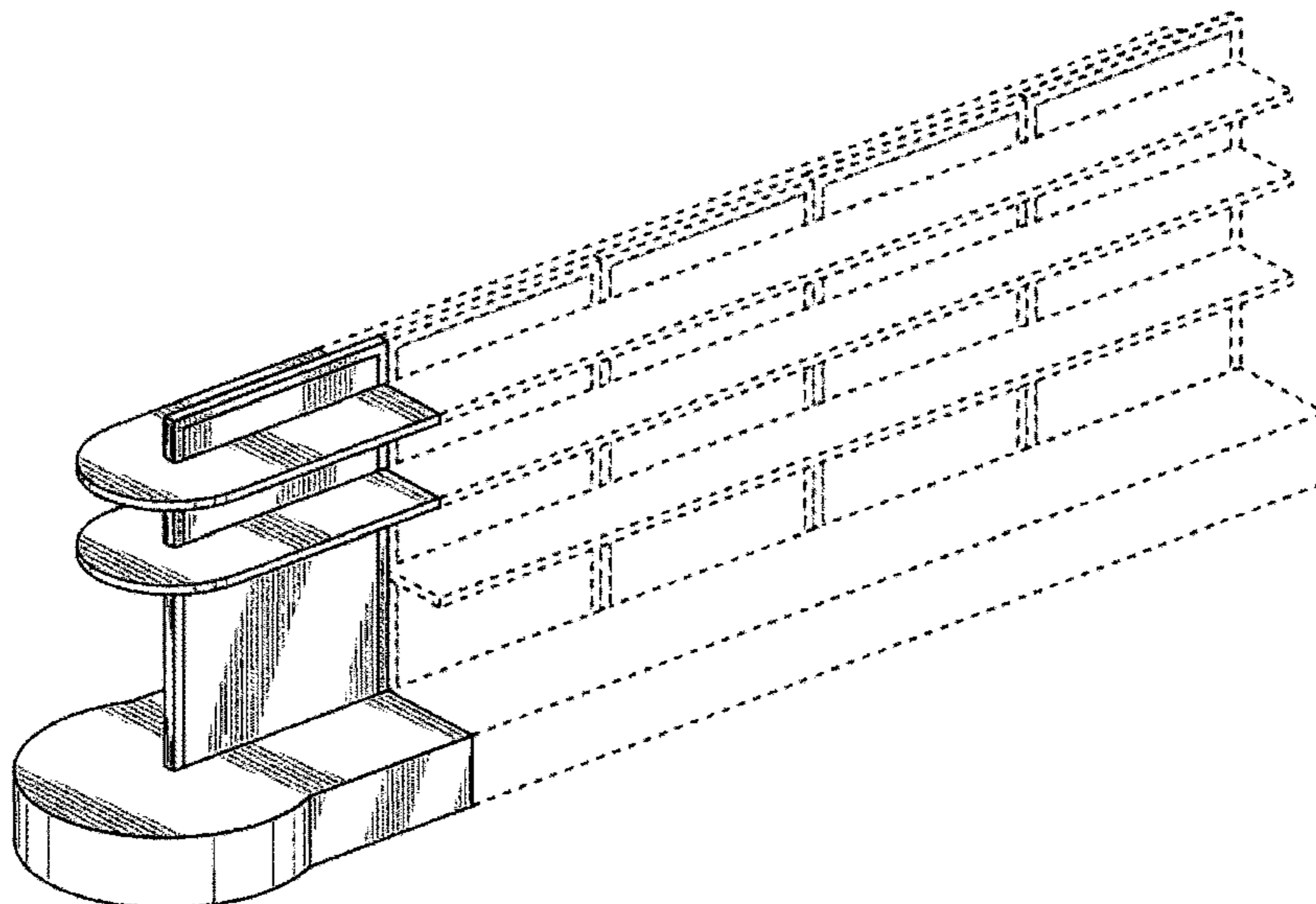
(57) **CLAIM**

I claim the ornamental design for a triple end cap, as shown and described.

**DESCRIPTION**

FIG. 1 is an upper right front perspective view of a first embodiment of a triple end cap of the present invention; FIG. 2 is an enlarged perspective view of the triple end cap of FIG. 1; FIG. 3 is a front elevational view of the triple end cap of FIG. 1; FIG. 4 is a rear elevational view of the triple end cap of FIG. 1; FIG. 5 is a left elevational view of the triple end cap of FIG. 1, the right elevational view being the mirror image; and, FIG. 6 is a top plan view of the triple end cap of FIG. 1. The broken line showing of the display end cap is for the purpose of illustrating environmental structure, and forms no part of the claimed design.

**1 Claim, 5 Drawing Sheets**



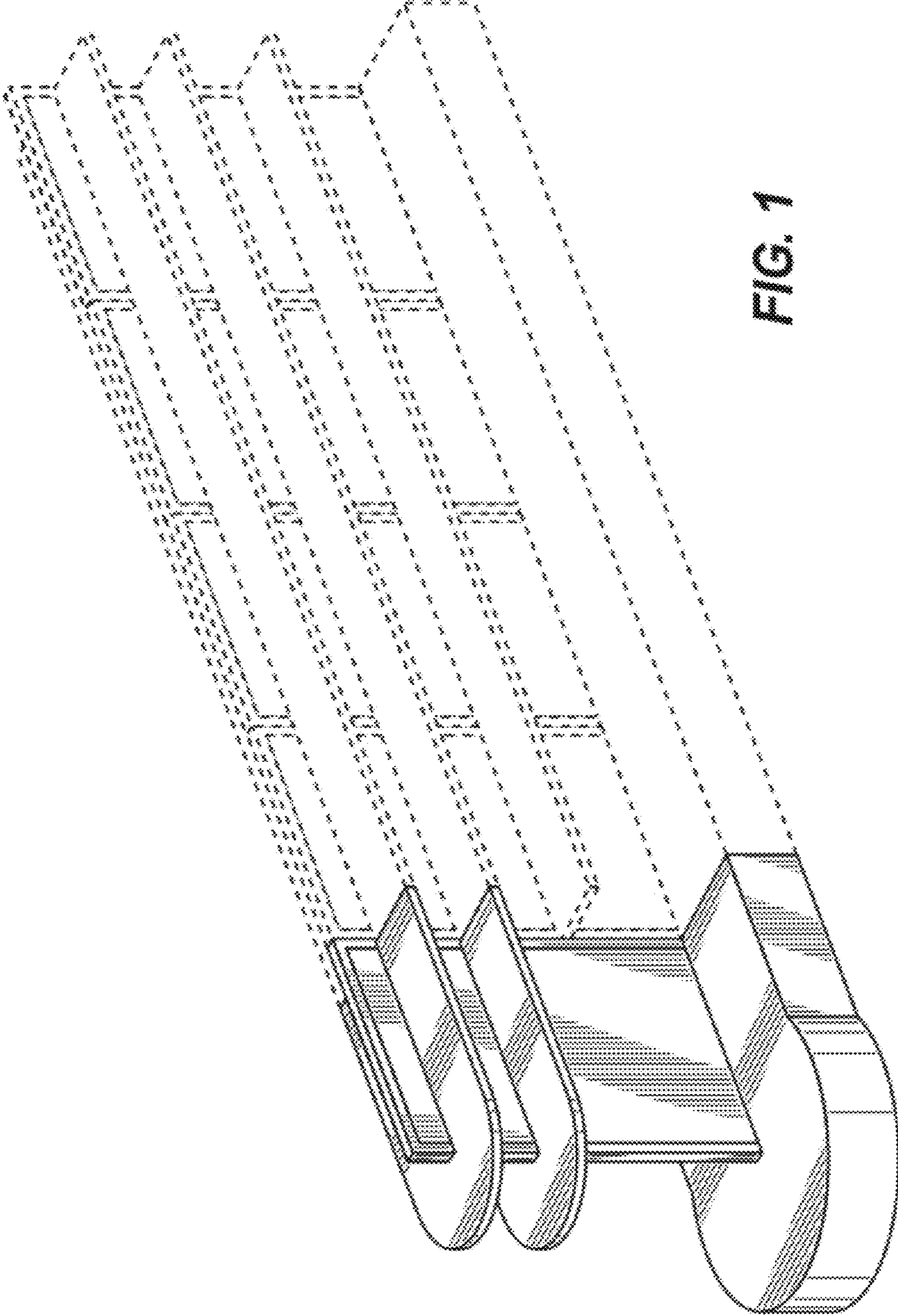
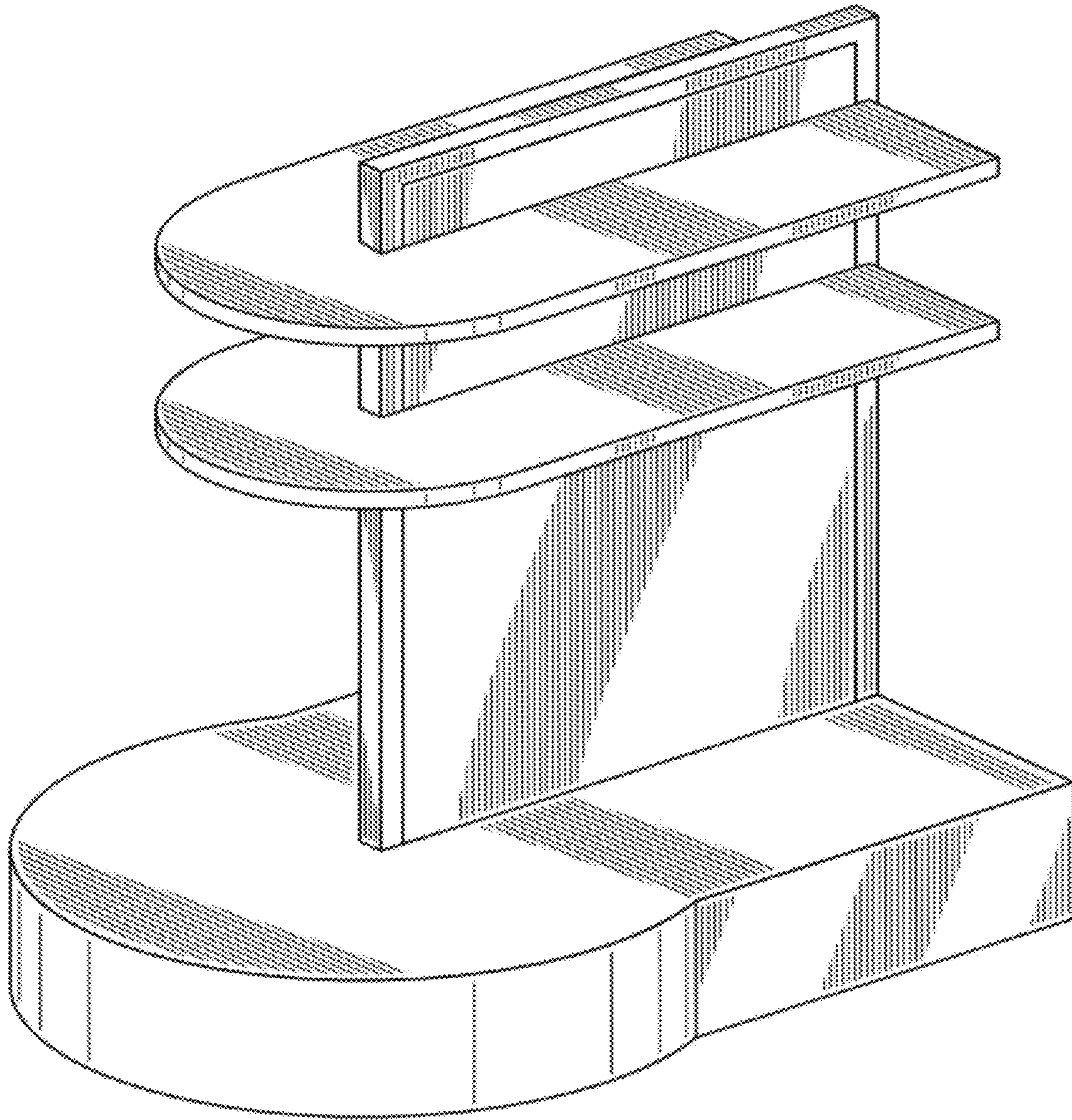


FIG. 1



**FIG. 2**

FIG. 4

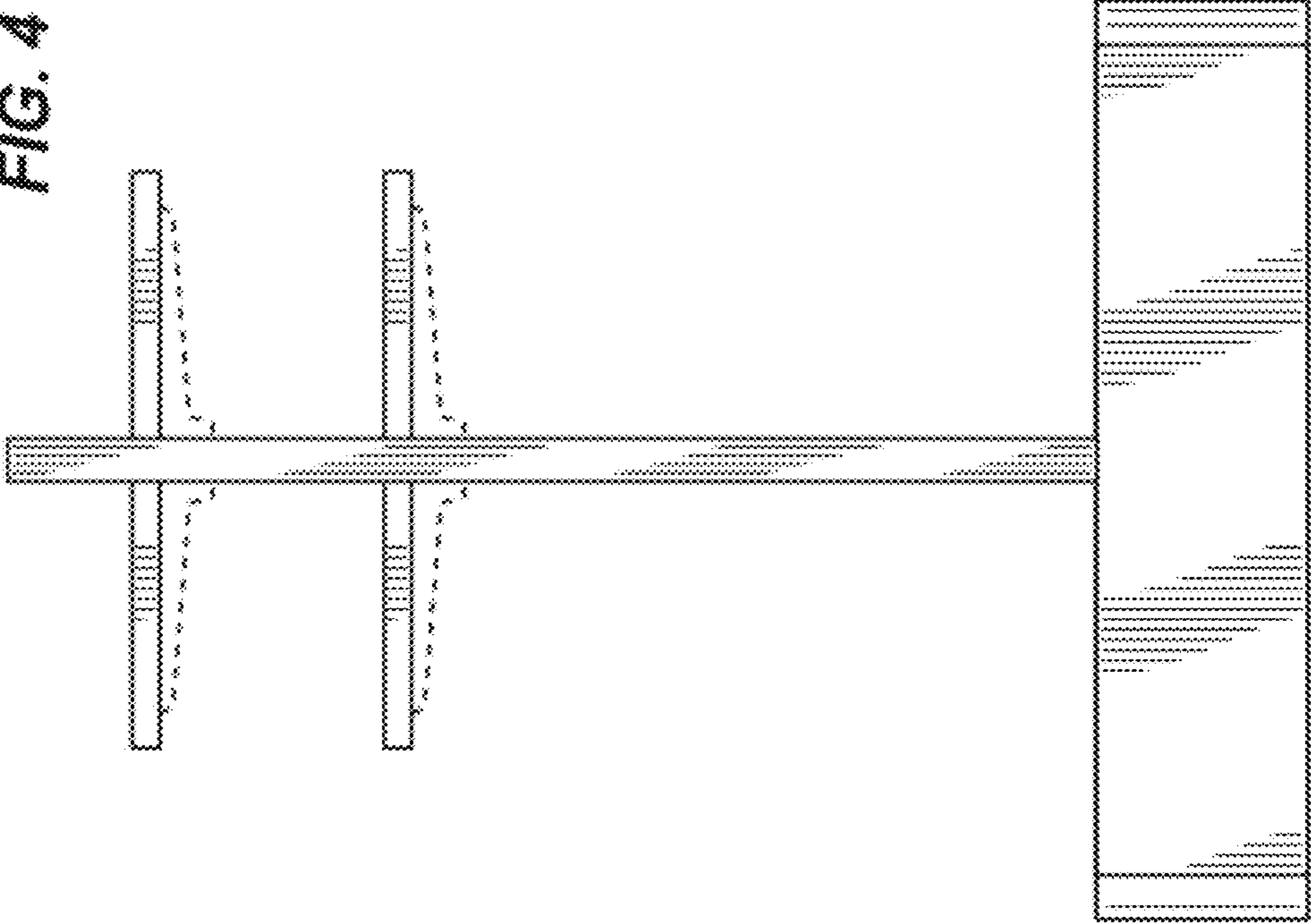
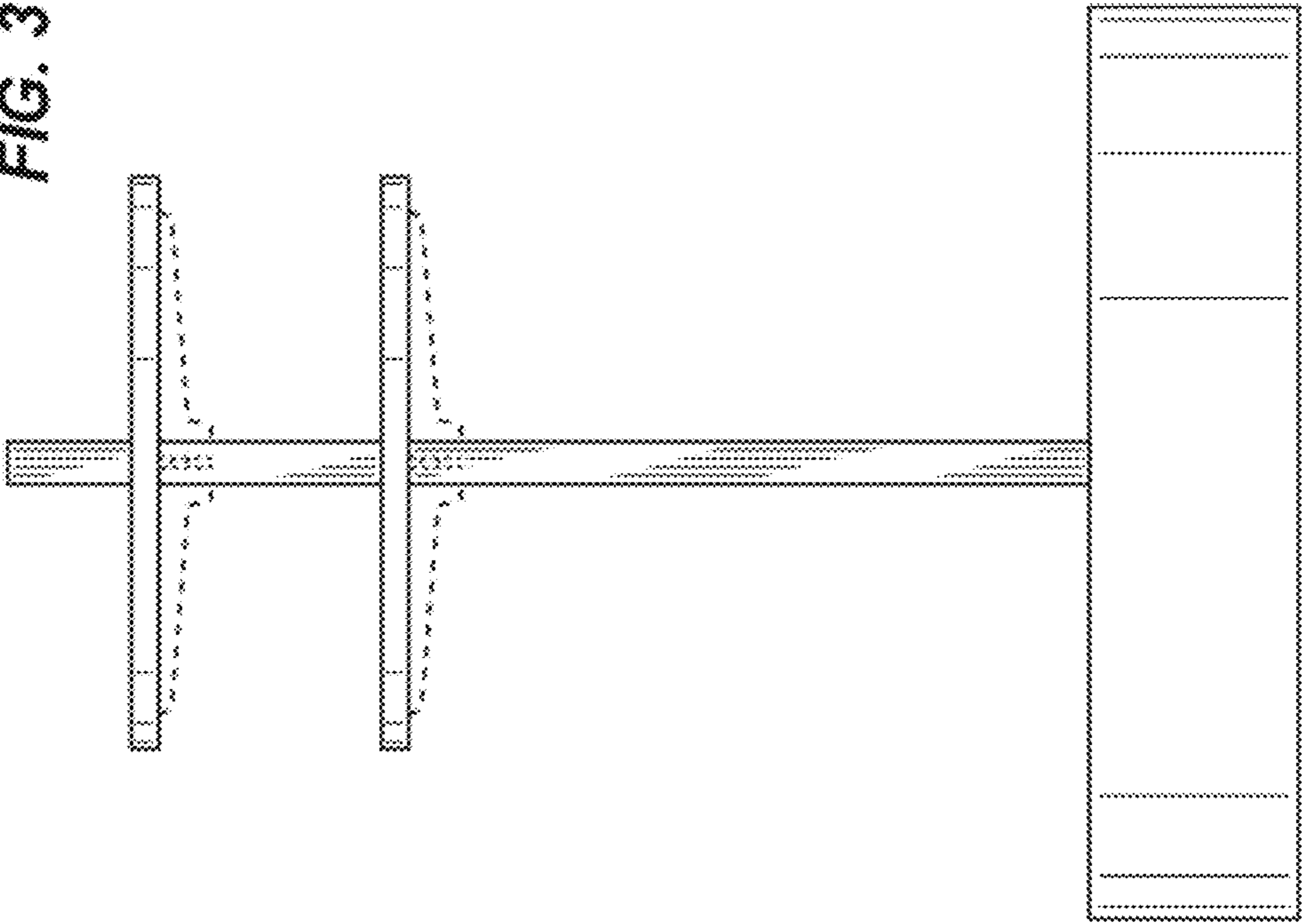
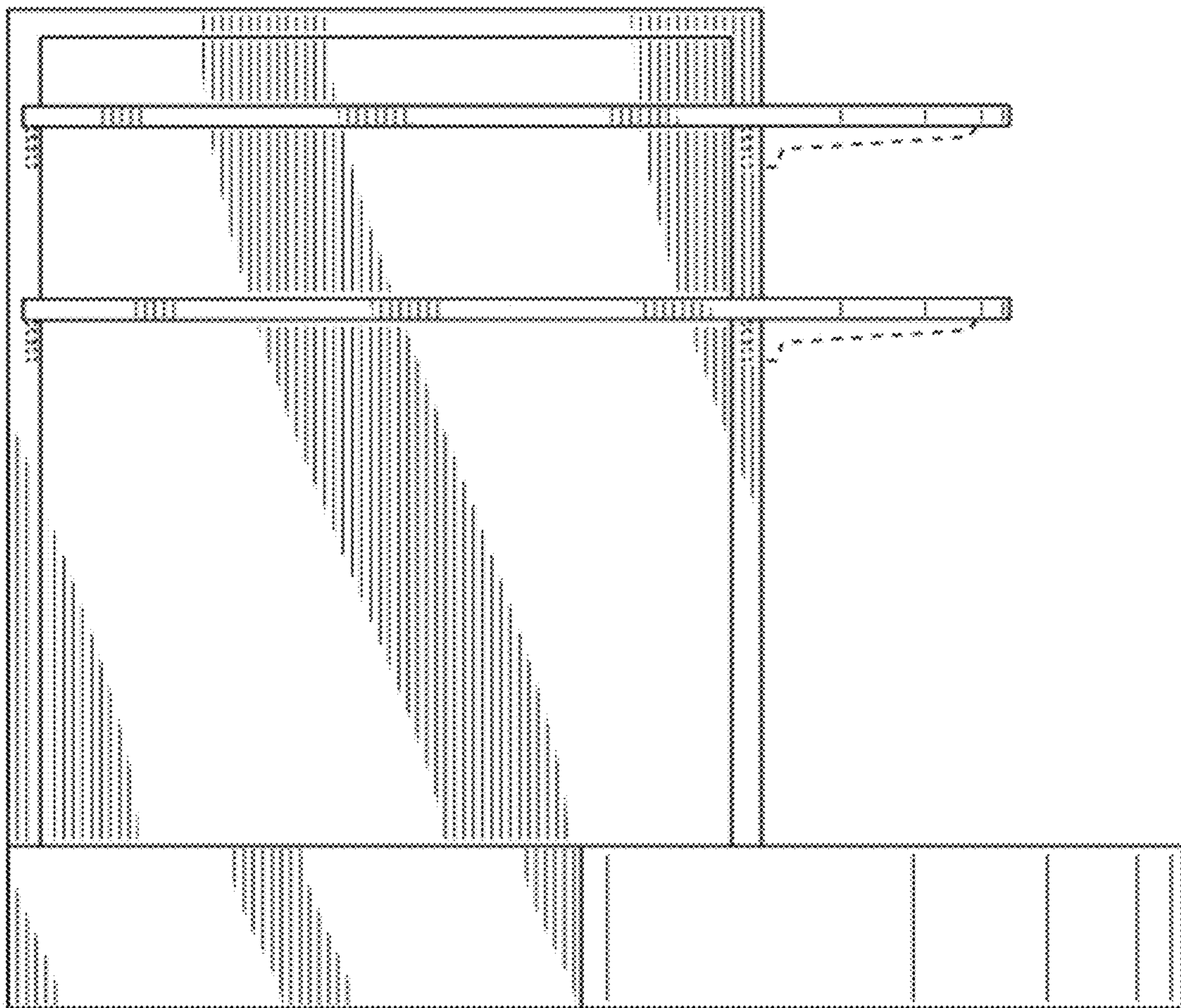
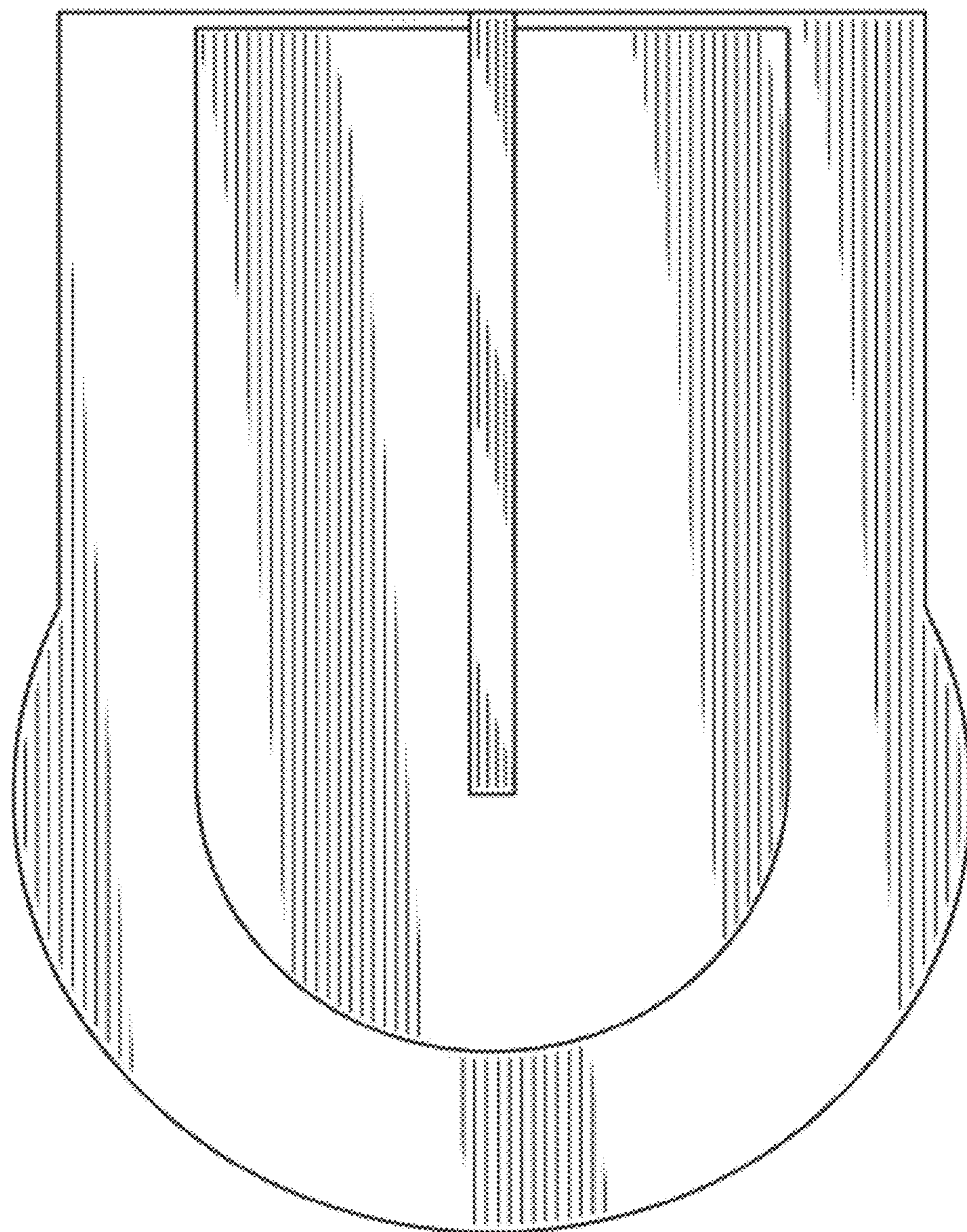


FIG. 3





**FIG. 5**



**FIG. 6**