



US00D681972S

(12) **United States Design Patent**
de los Reyes et al.

(10) **Patent No.:** **US D681,972 S**

(45) **Date of Patent:** **** May 14, 2013**

(54) **GARDEN BENCH WITH ARCHED BACK**

(75) Inventors: **Philip de los Reyes**, San Francisco, CA
(US); **Ruben Donzé**, San Francisco, CA
(US)

(73) Assignee: **Bouvet USA Inc.**, San Francisco, CA
(US)

(**) Term: **14 Years**

(21) Appl. No.: **29/413,027**

(22) Filed: **Feb. 9, 2012**

(51) **LOC (9) Cl.** **06-01**

(52) **U.S. Cl.**
USPC **D6/370**

(58) **Field of Classification Search** D6/334-336,
D6/370, 374, 376, 379, 380, 381, 492, 500-502,
D6/716, 716.1, 716.3, 716.4; 297/232, 445.1,
297/446.1, 452.63

See application file for complete search history.

(56) **References Cited**

U.S. PATENT DOCUMENTS

D83,569 S * 3/1931 Platter D6/335
D353,721 S * 12/1994 Lowman D6/379

D368,173 S * 3/1996 Kramer D6/370
D376,270 S * 12/1996 Slear D6/370
D440,420 S * 4/2001 Goldstein D6/370
D465,112 S * 11/2002 Pathiratne D6/492
D465,671 S * 11/2002 Sheil et al. D6/381
D513,369 S * 1/2006 Cross D6/370
D535,114 S * 1/2007 Goldstein D6/381

* cited by examiner

Primary Examiner — Mimoso De

(74) *Attorney, Agent, or Firm* — Craig M. Stainbrook;
Stainbrook & Stainbrook, LLP

(57) **CLAIM**

The ornamental design for a garden bench with arched back,
as shown and described.

DESCRIPTION

FIG. 1 is an upper right front perspective view of a garden
bench;

FIG. 2 is a front elevational view of a garden bench;

FIG. 3 is a right side elevational view of a garden bench;

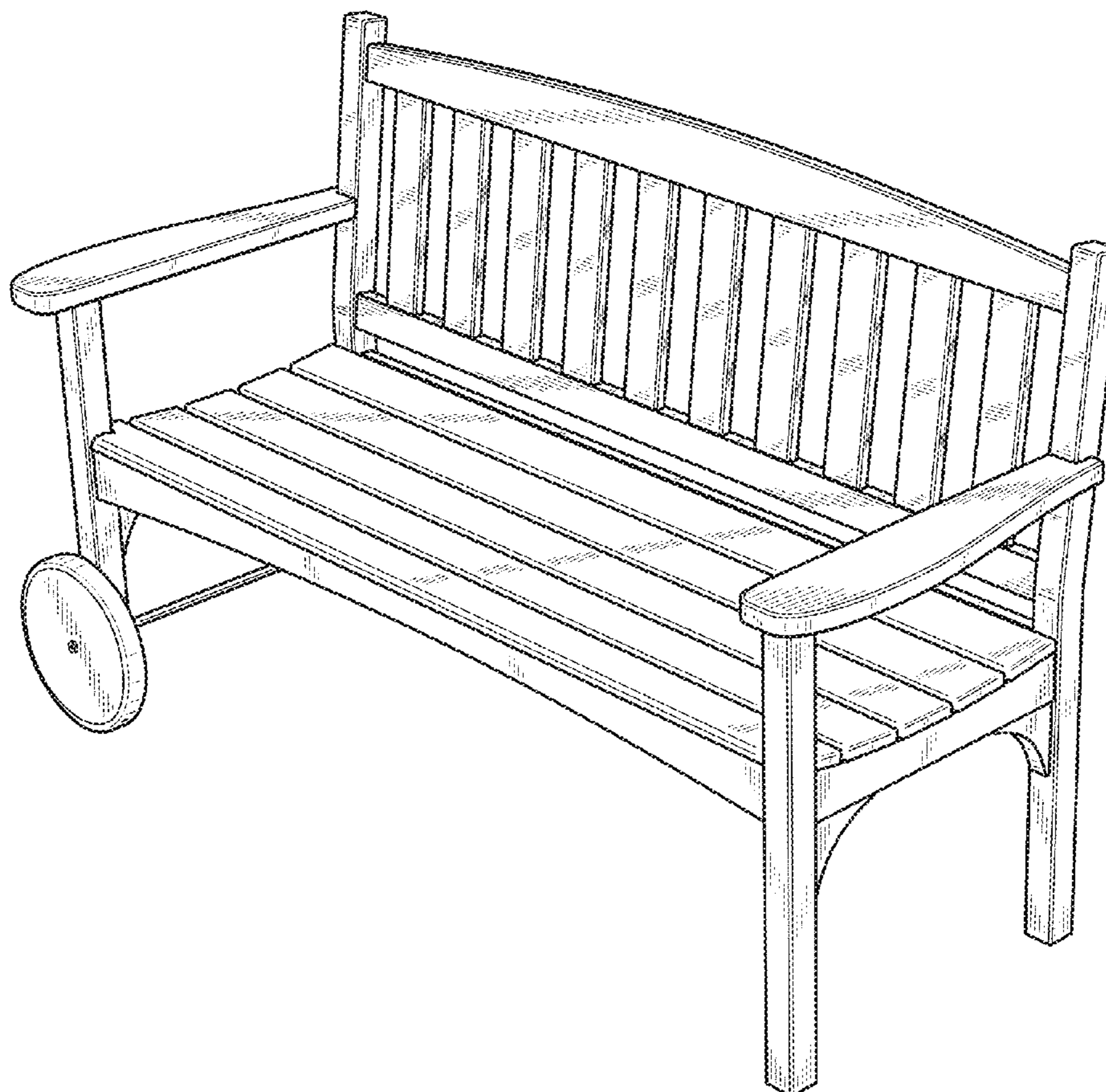
FIG. 4 is a rear elevational view of a garden bench;

FIG. 5 is a left side elevational view of a garden bench;

FIG. 6 is a top plan view of a garden bench; and,

FIG. 7 is a bottom plan view of a garden bench.

1 Claim, 3 Drawing Sheets



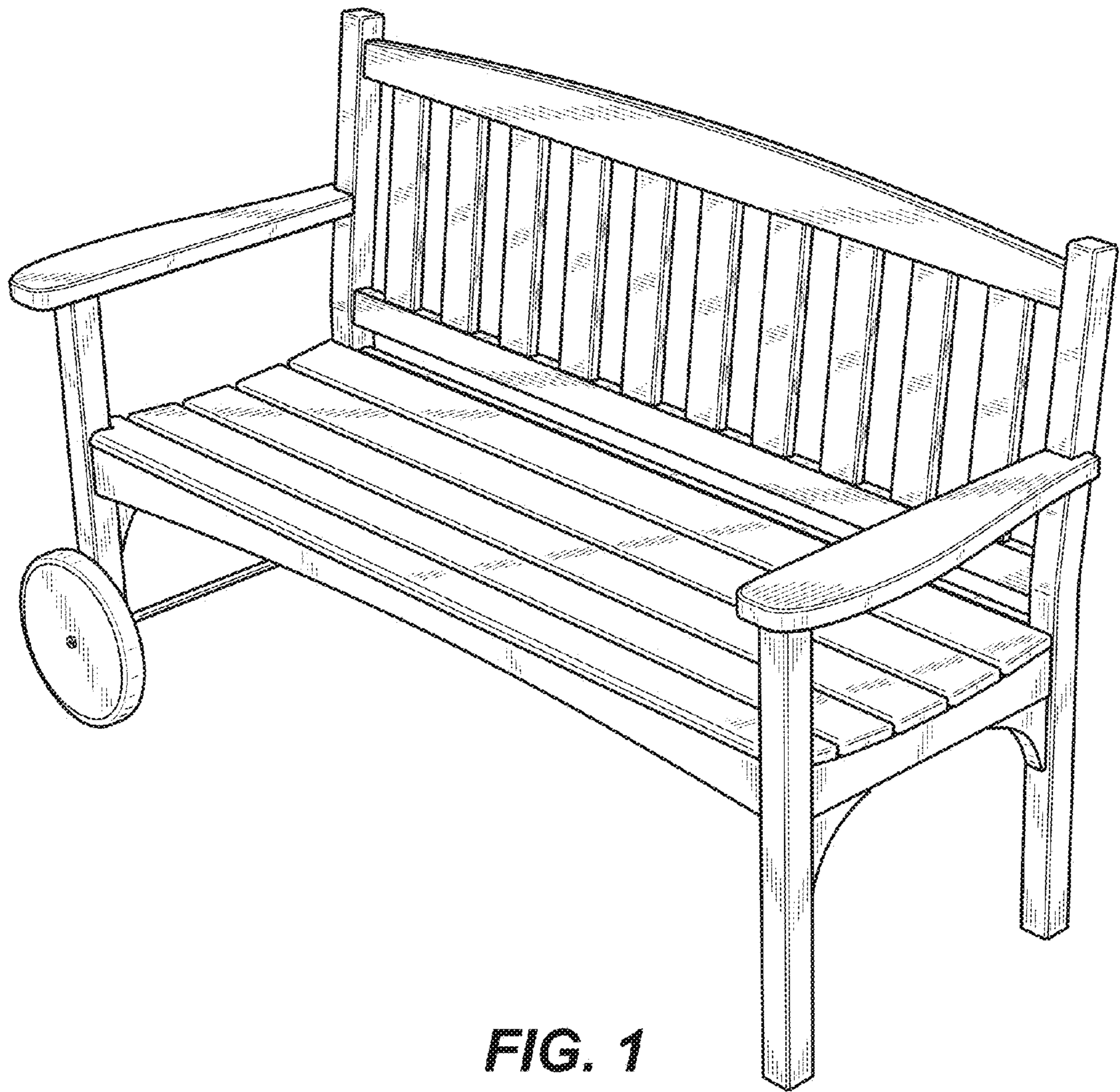


FIG. 1

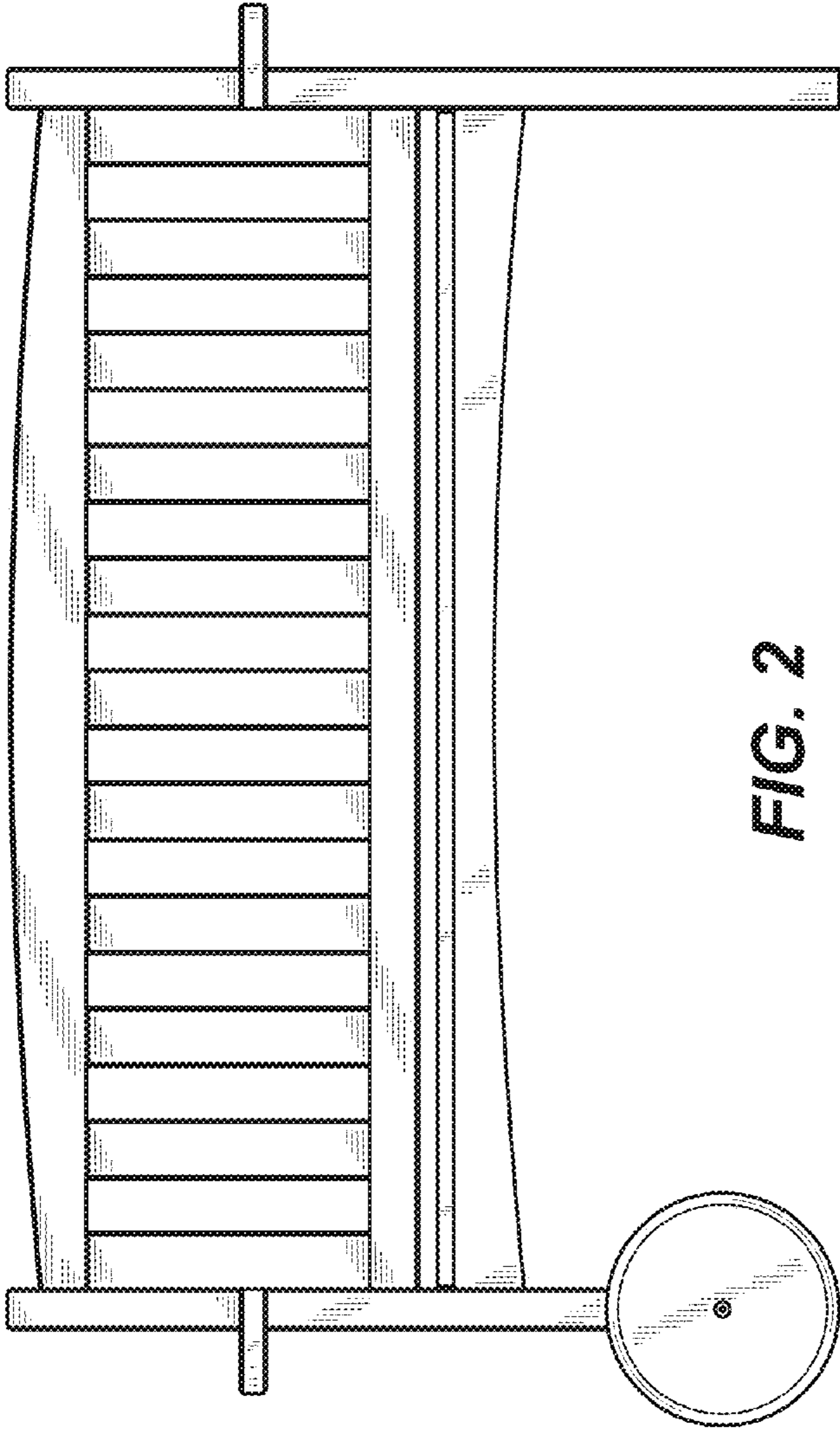


FIG. 2

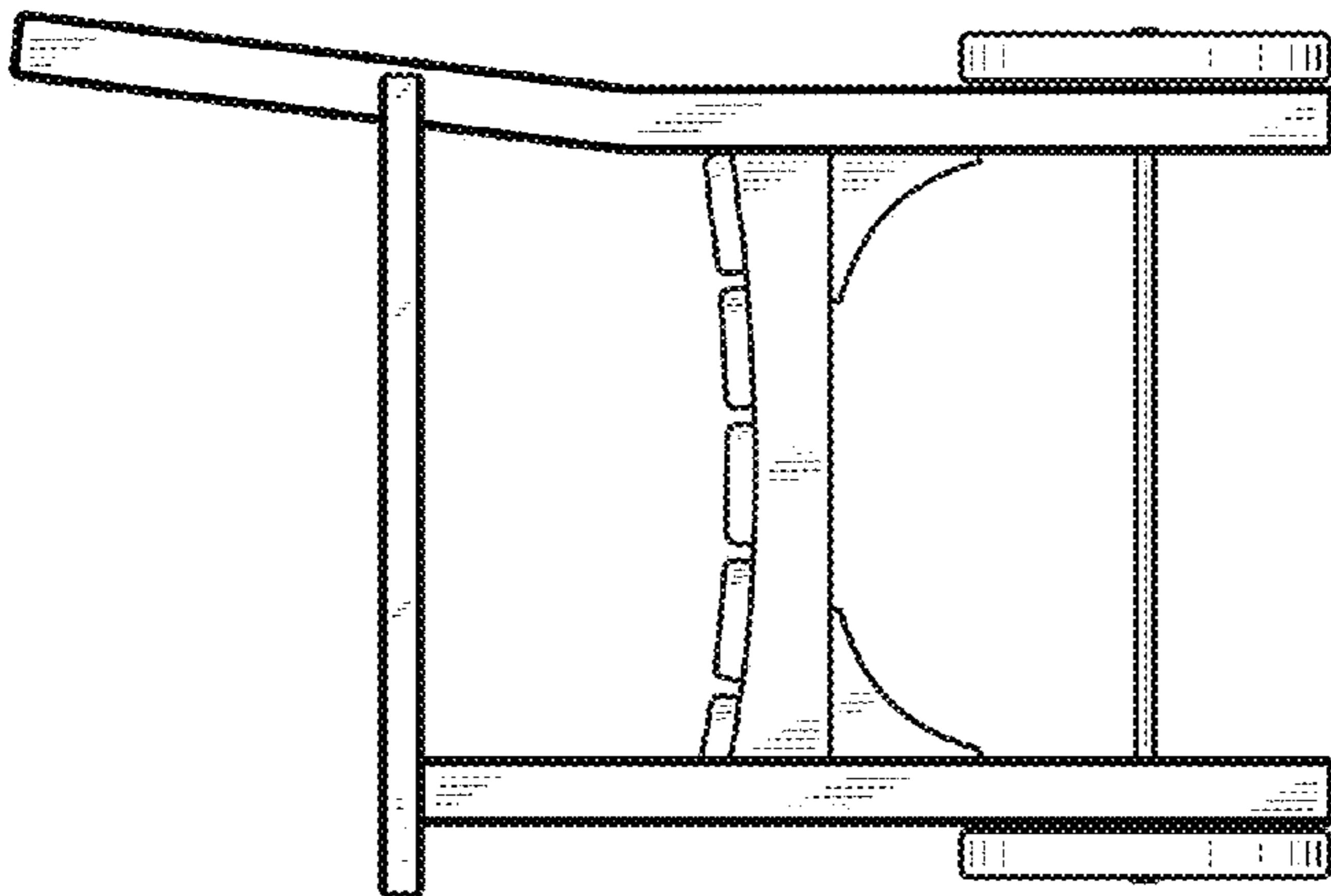


FIG. 3

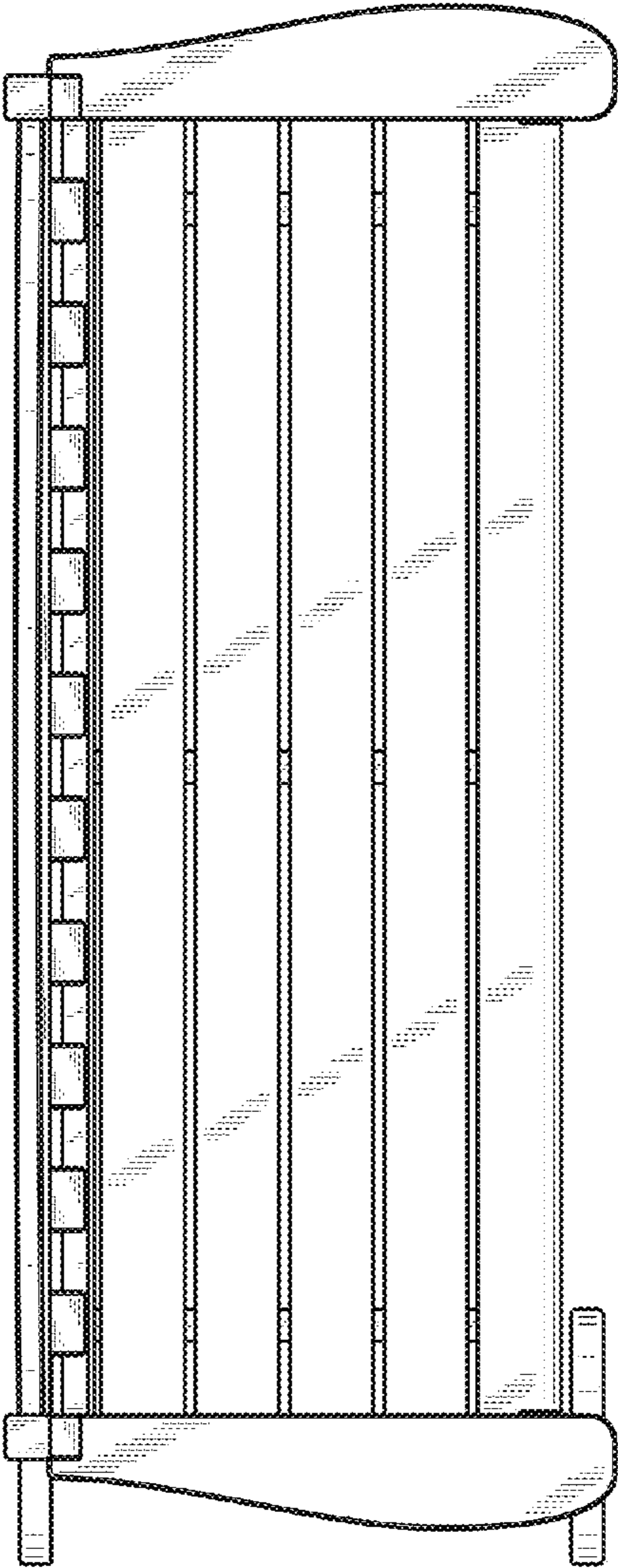


FIG. 6

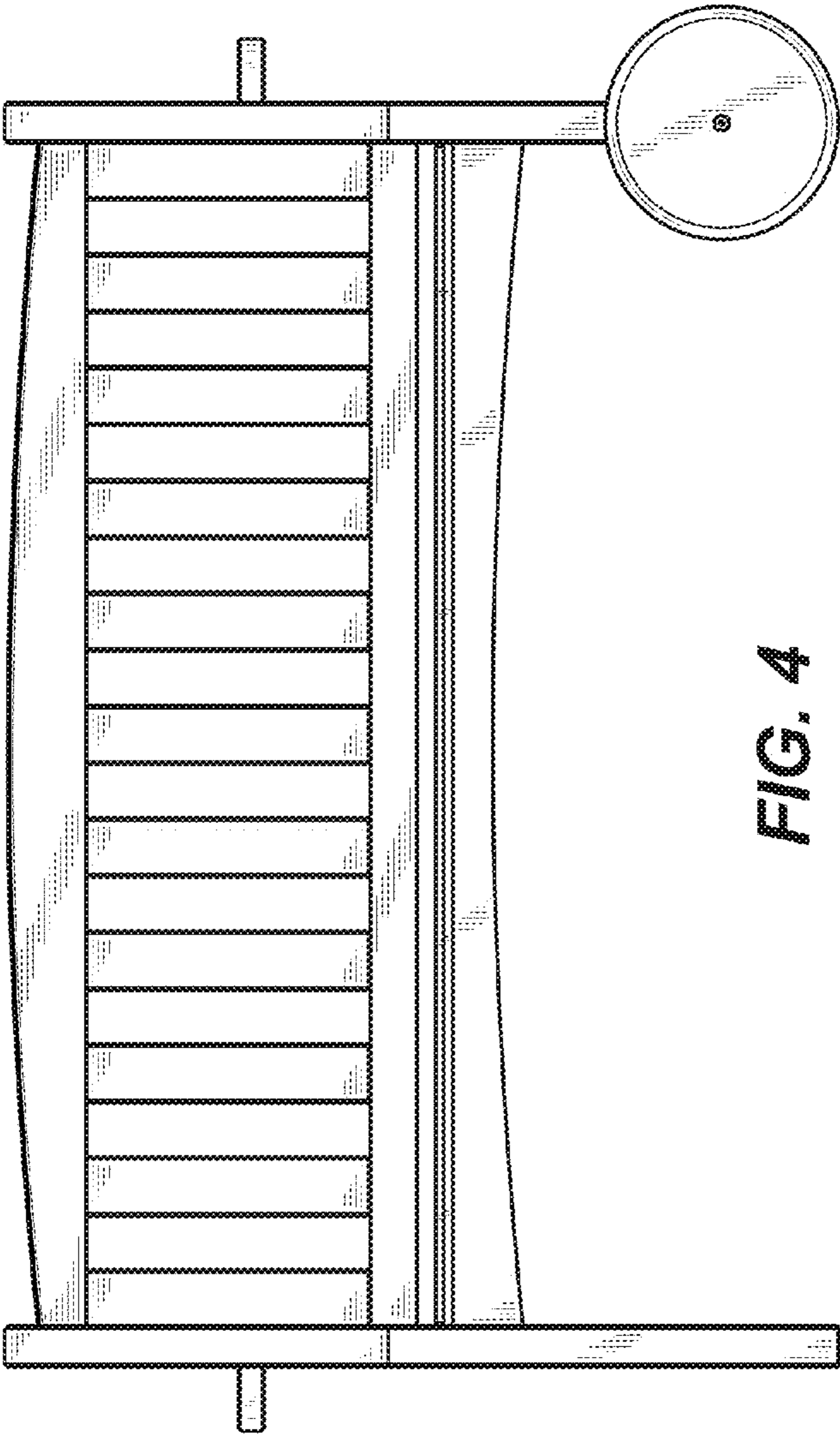


FIG. 4

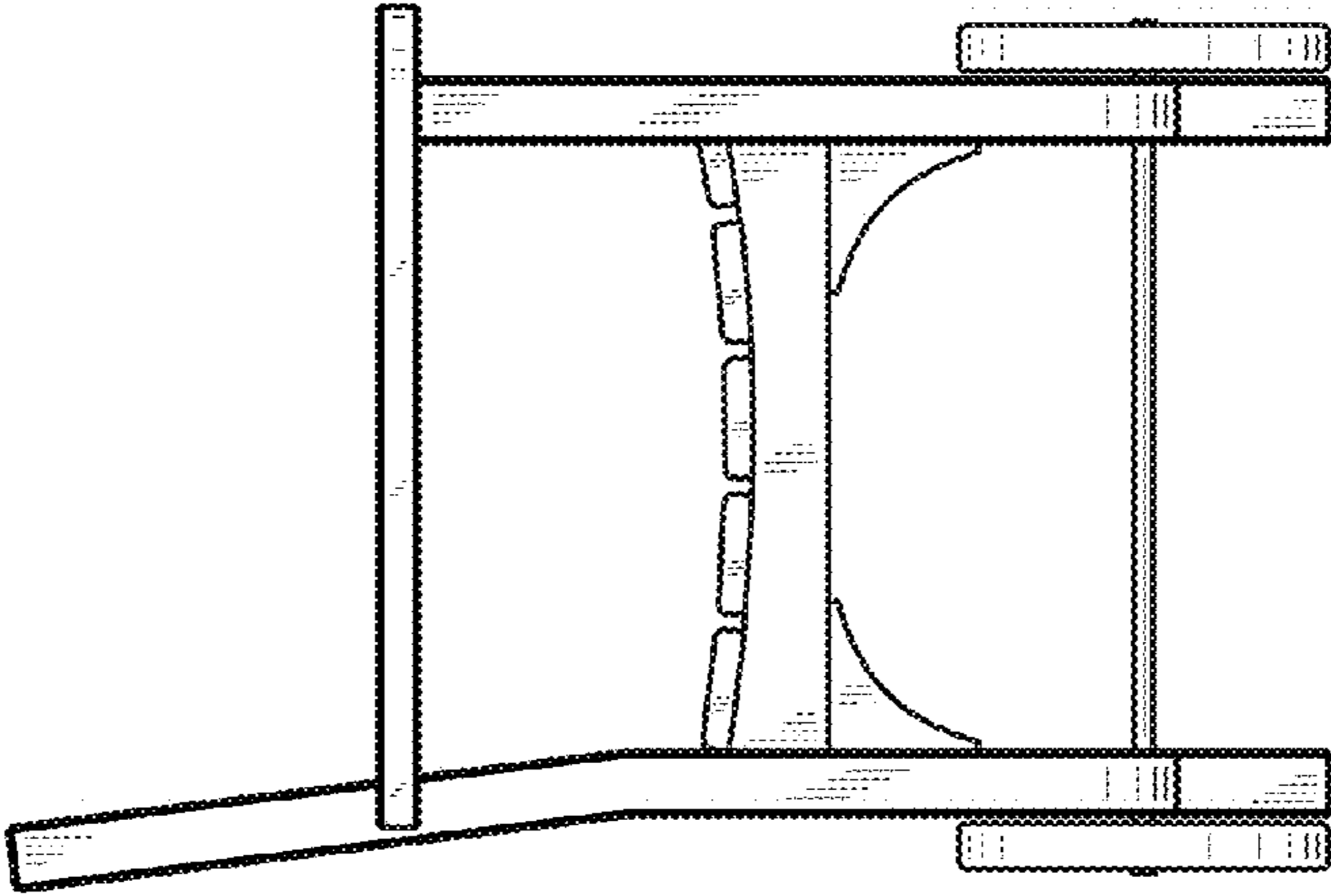


FIG. 5

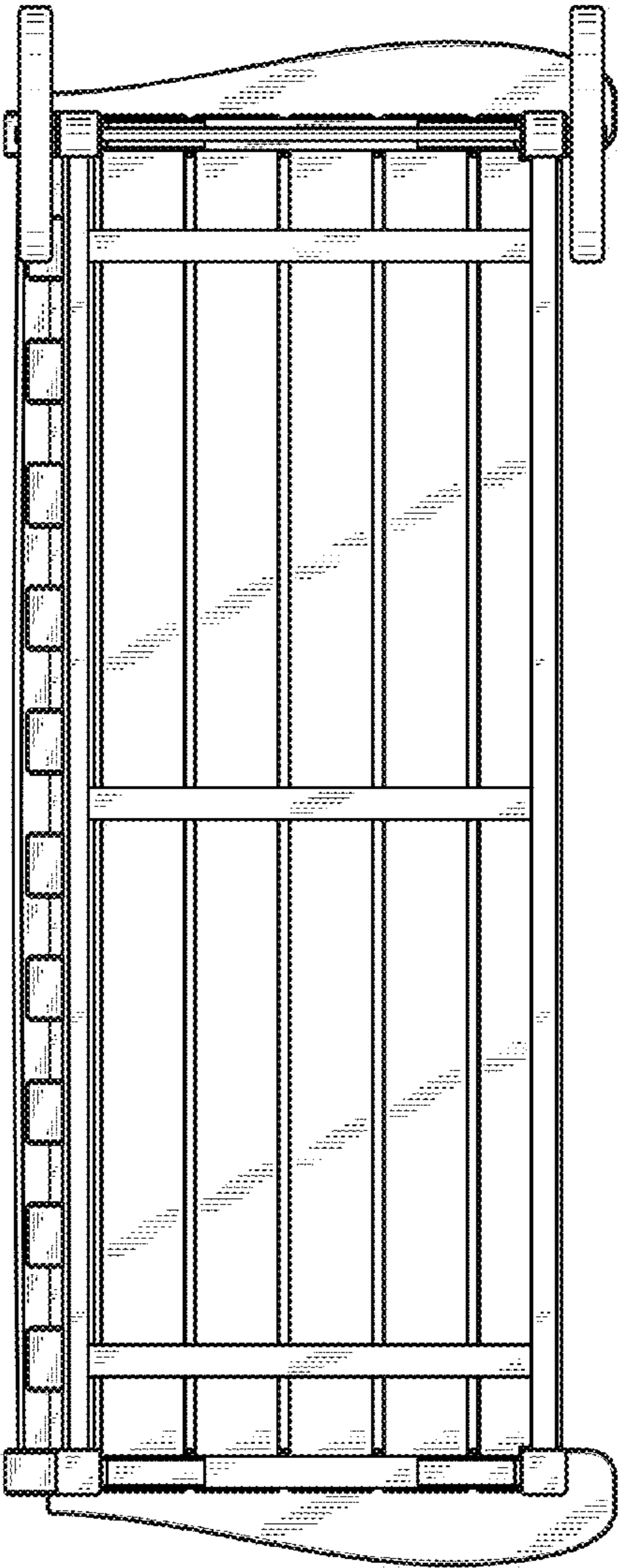


FIG. 7