



US00D681970S

(12) **United States Design Patent**  
**Christakos**

(10) **Patent No.:** **US D681,970 S**  
(45) **Date of Patent:** **\*\* May 14, 2013**

- (54) **COLLAPSIBLE BUNGEE CHAIR**
- (75) Inventor: **John N. Christakos**, Minneapolis, MN (US)
- (73) Assignee: **Blu Dot Design & Manufacturing, Inc.**, Minneapolis, MN (US)
- (\*\*) Term: **14 Years**
- (21) Appl. No.: **29/414,777**
- (22) Filed: **Mar. 2, 2012**
- (51) **LOC (9) Cl.** ..... **06-01**
- (52) **U.S. Cl.**  
USPC ..... **D6/368**
- (58) **Field of Classification Search** ..... D6/334–336,  
D6/367–376, 379–380, 491, 500–502;  
297/16.1–16.2, 42–46, 56, 248, 411.23,  
297/411.25, 411.26, 440.24, 441.2, 452.64;  
473/197, 456  
See application file for complete search history.

D571,572	S *	6/2008	Tseng	.....	D6/372
7,404,601	B2 *	7/2008	Chen	.....	297/16.2
7,648,421	B2 *	1/2010	Yoon	.....	473/197
7,967,374	B2 *	6/2011	Akkad	.....	297/42
D656,326	S *	3/2012	Soewondo	.....	D6/348
8,282,509	B1 *	10/2012	Michaelson et al.	.....	473/456
2003/0234561	A1 *	12/2003	Zheng	.....	297/45
2005/0088018	A1 *	4/2005	Yao	.....	297/16.1
2006/0232108	A1 *	10/2006	Hsieh	.....	297/45
2006/0249991	A1 *	11/2006	Hsieh	.....	297/16.1
2007/0187998	A1 *	8/2007	Chen	.....	297/45

**OTHER PUBLICATIONS**

Advertisement from Target, “Woven Techniques Hard Goods”, Interior Design Capsule, made publicly available by at least Feb. 27, 2012.

\* cited by examiner

*Primary Examiner* — Ricky Pham  
(74) *Attorney, Agent, or Firm* — Fredrikson & Byron, P.A.

(57) **CLAIM**

I claim the ornamental design for a collapsible bungee chair, as shown and described.

**DESCRIPTION**

FIG. 1 is a front perspective view of the collapsible bungee chair of our design;  
FIG. 2 is a front elevational view thereof;  
FIG. 3 is a rear elevational view thereof;  
FIG. 4 is a right-side elevation view thereof, the left-side elevation view being a mirror image thereof;  
FIG. 5 is a top plan view thereof; and,  
FIG. 6 is a bottom plan view thereof.  
Where included, broken lines showing environment or structure are for illustrative purposes only and form no part of the claimed design.

**1 Claim, 4 Drawing Sheets**

(56) **References Cited**

**U.S. PATENT DOCUMENTS**

5,695,253	A *	12/1997	Jenkins	.....	297/452.64
6,332,646	B1	12/2001	Tseng		
6,447,057	B1 *	9/2002	Chen	.....	297/16.2
D475,860	S *	6/2003	Yang	.....	D6/367
6,824,207	B1 *	11/2004	Lin	.....	297/16.1
6,840,573	B1 *	1/2005	Yao	.....	297/16.1
6,848,740	B1 *	2/2005	Reese	.....	297/16.1
D503,289	S *	3/2005	Eyman et al.	.....	D6/344
6,877,814	B2 *	4/2005	Lin	.....	297/440.24
D507,891	S *	8/2005	Eyman et al.	.....	D6/344
6,957,852	B1 *	10/2005	Hsieh	.....	297/46
7,000,983	B1 *	2/2006	Tsai	.....	297/56
7,011,372	B1 *	3/2006	Hsieh	.....	297/440.24
7,144,078	B2 *	12/2006	Hsieh	.....	297/16.1
7,178,864	B2 *	2/2007	Hsieh	.....	297/45
D555,378	S *	11/2007	Tsai	.....	D6/368

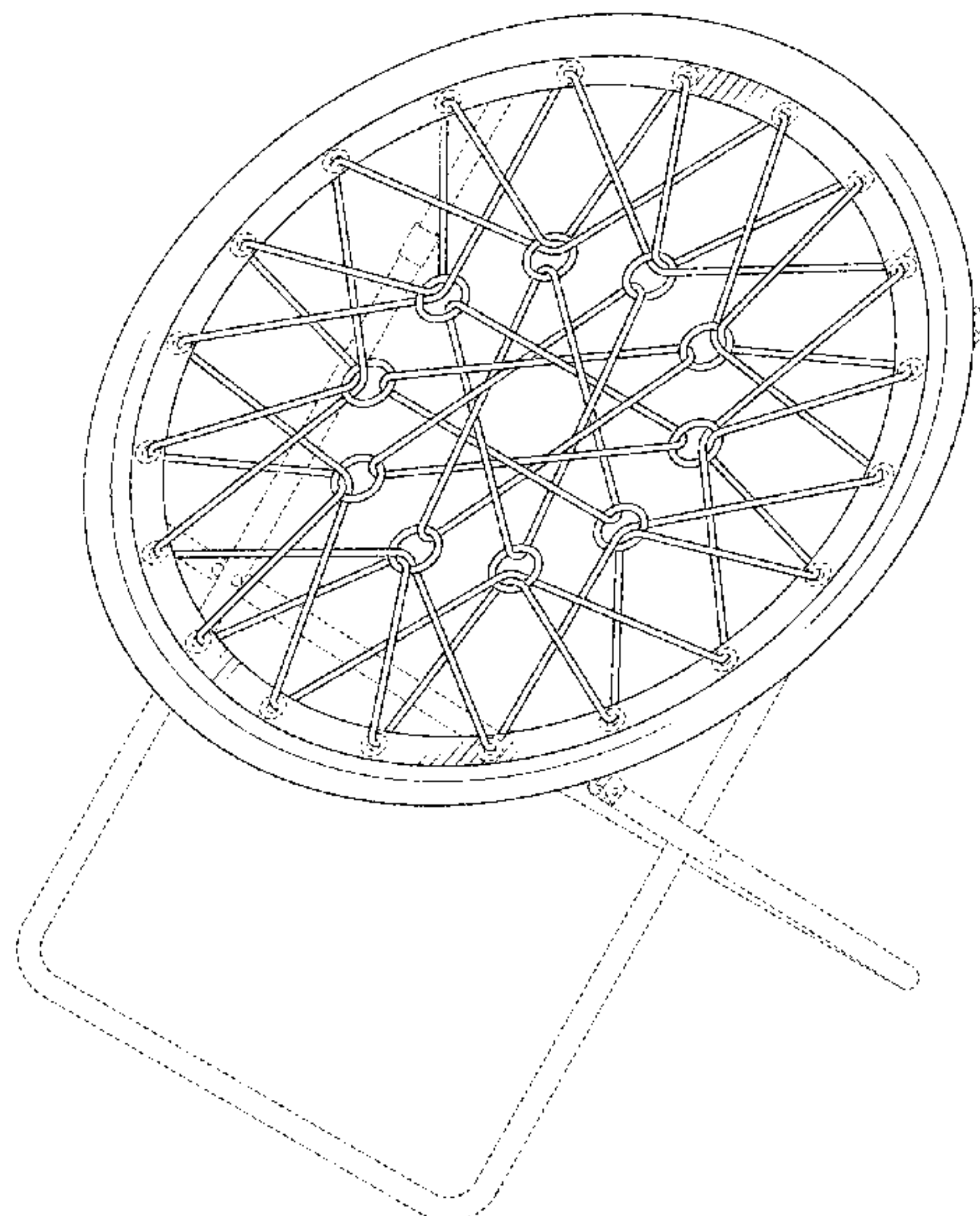


FIG. 1

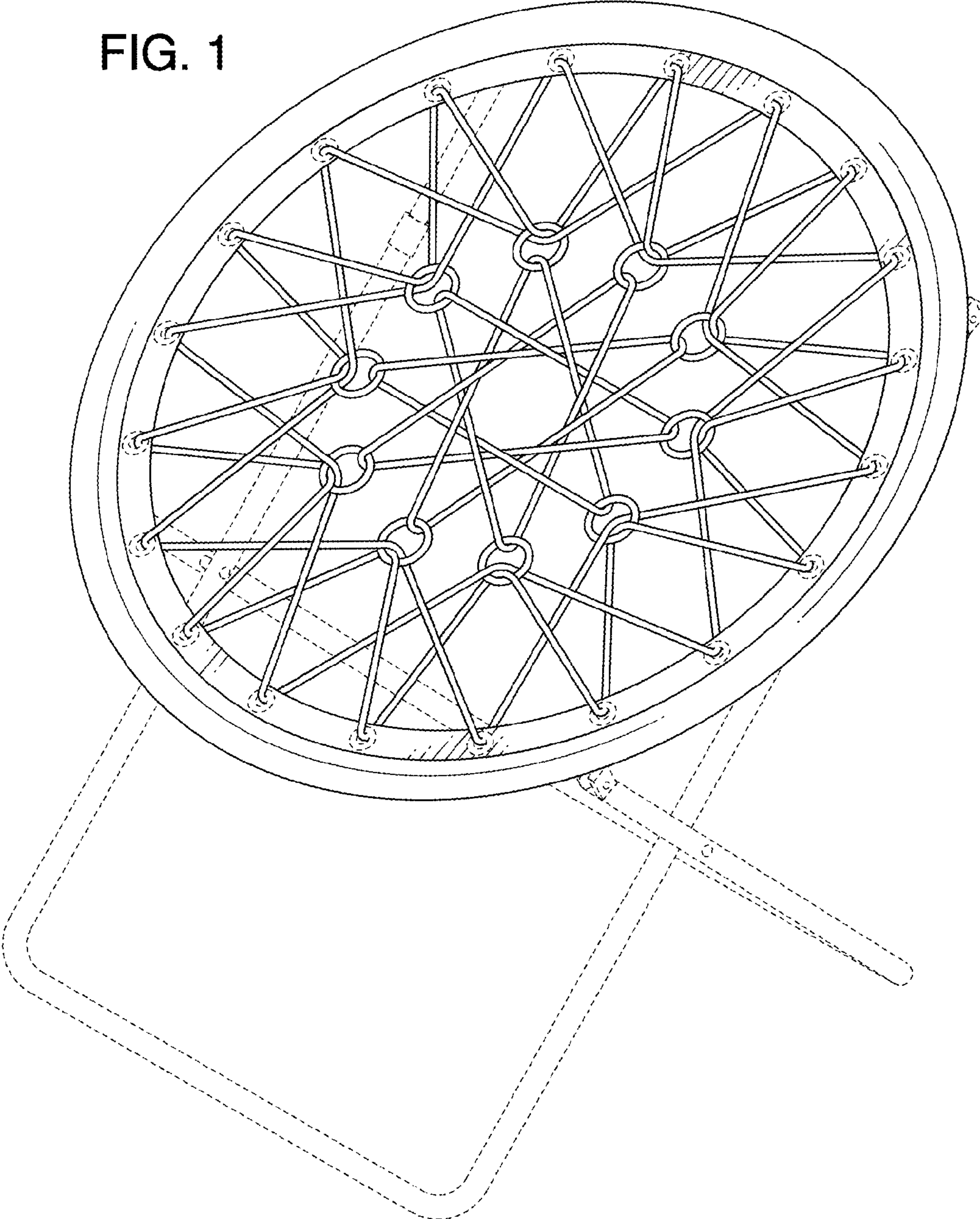




FIG. 2

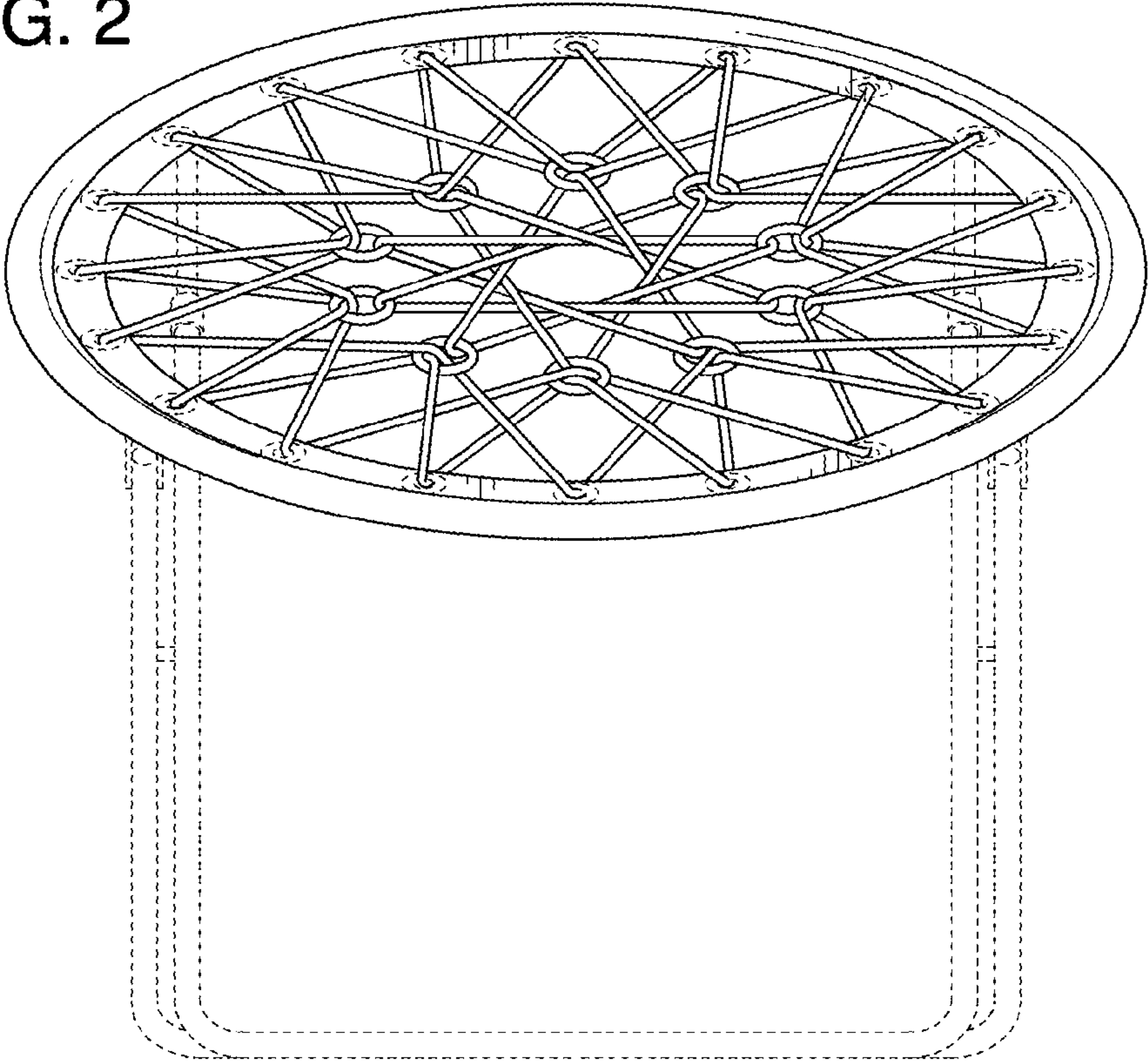


FIG. 3

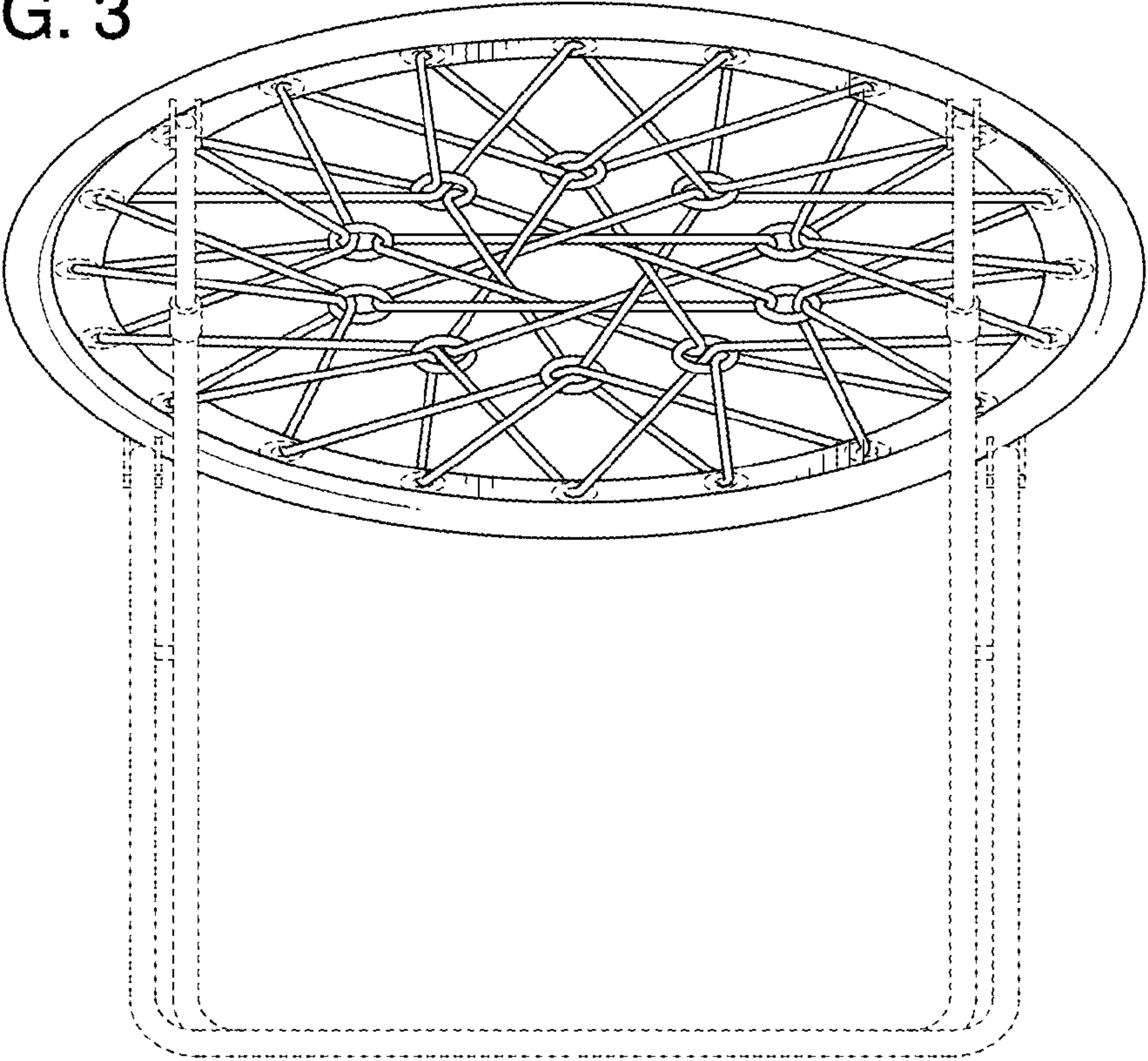


FIG. 4

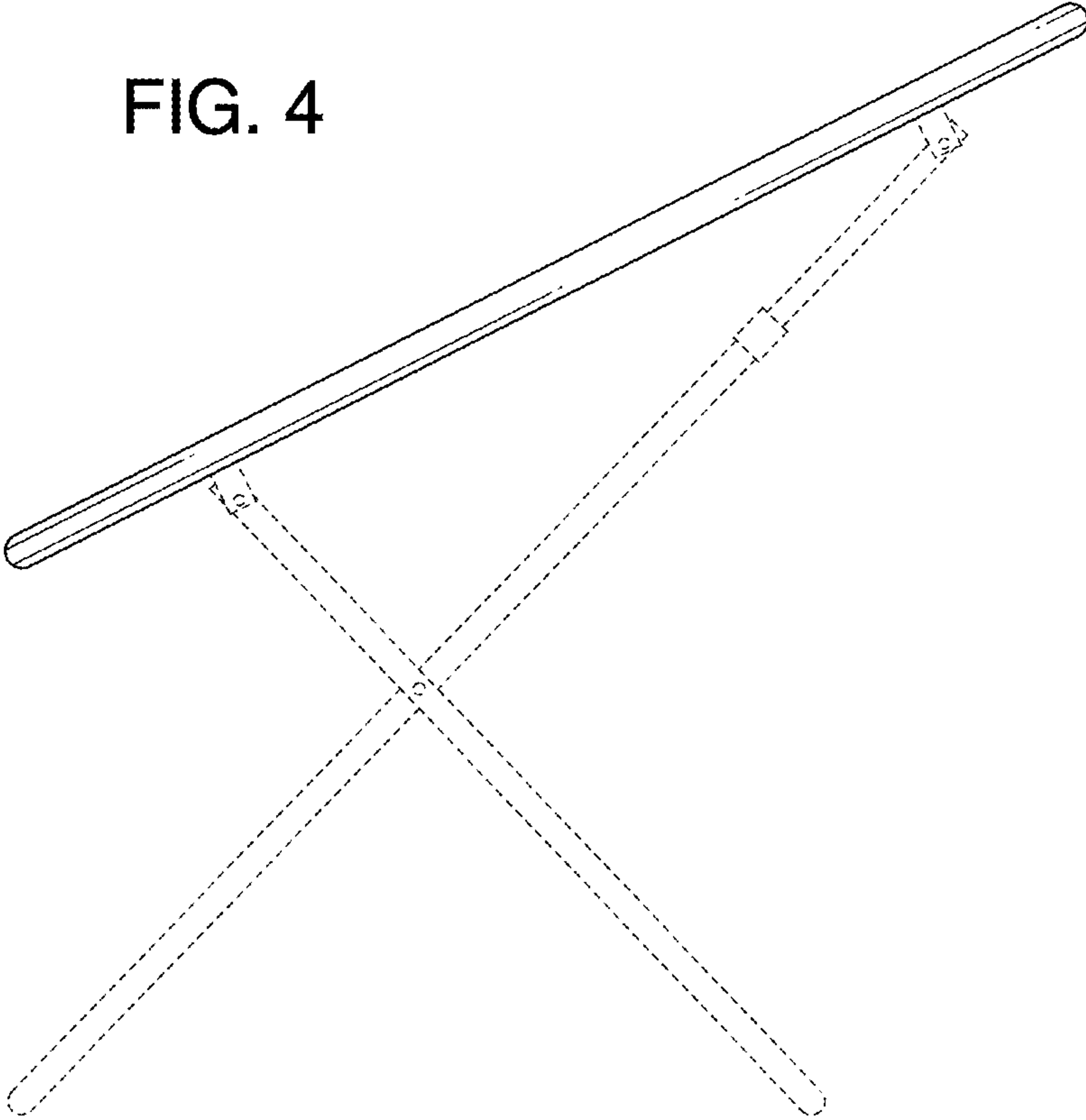


FIG. 5

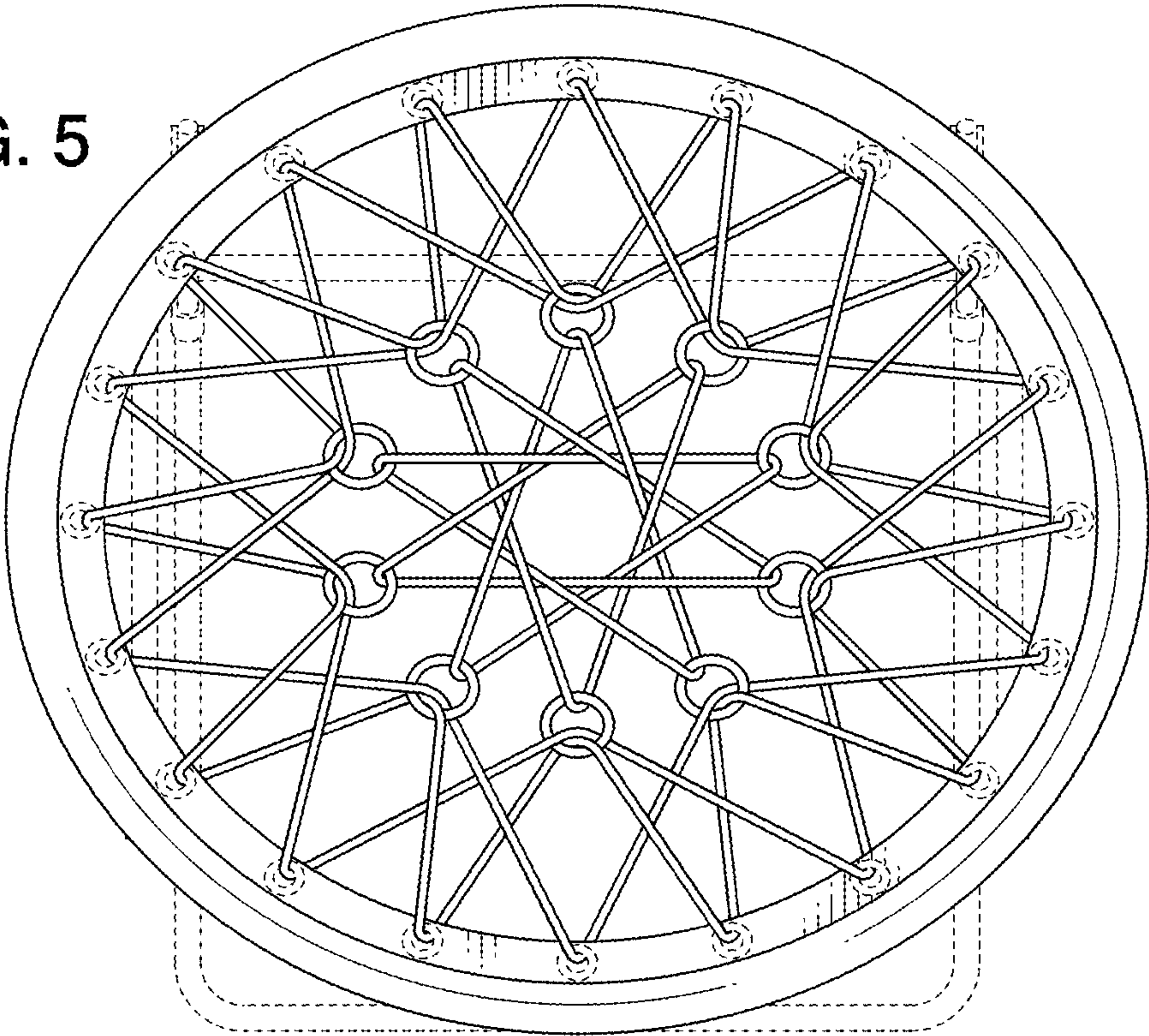


FIG. 6

