



US00D681965S

(12) **United States Design Patent**
Pili

(10) **Patent No.:** **US D681,965 S**

(45) **Date of Patent:** **** May 14, 2013**

(54) **FAÇADE FOR WIRES OR EQUIPMENT**

(76) Inventor: **Anthony Pili**, Ossining, NY (US)

(**) Term: **14 Years**

(21) Appl. No.: **29/415,725**

(22) Filed: **Mar. 13, 2012**

(51) **LOC (9) Cl.** **06-06**

(52) **U.S. Cl.**
USPC **D6/332**

(58) **Field of Classification Search** D25/58,
D25/47; D6/332; 52/220.7, 220.8; 160/25,
160/32, 96, 162; 49/209
See application file for complete search history.

(56) **References Cited**

U.S. PATENT DOCUMENTS

5,209,035	A *	5/1993	Hodges et al.	52/220.7
D385,044	S	10/1997	Johnson	
5,778,959	A	7/1998	Guetschow	
D460,277	S	7/2002	Lee	
D485,995	S *	2/2004	Berg et al.	D6/332
D622,790	S *	8/2010	Brown	D21/698

* cited by examiner

Primary Examiner — Doris Clark

(74) *Attorney, Agent, or Firm* — QuickPatents; Kevin Prince

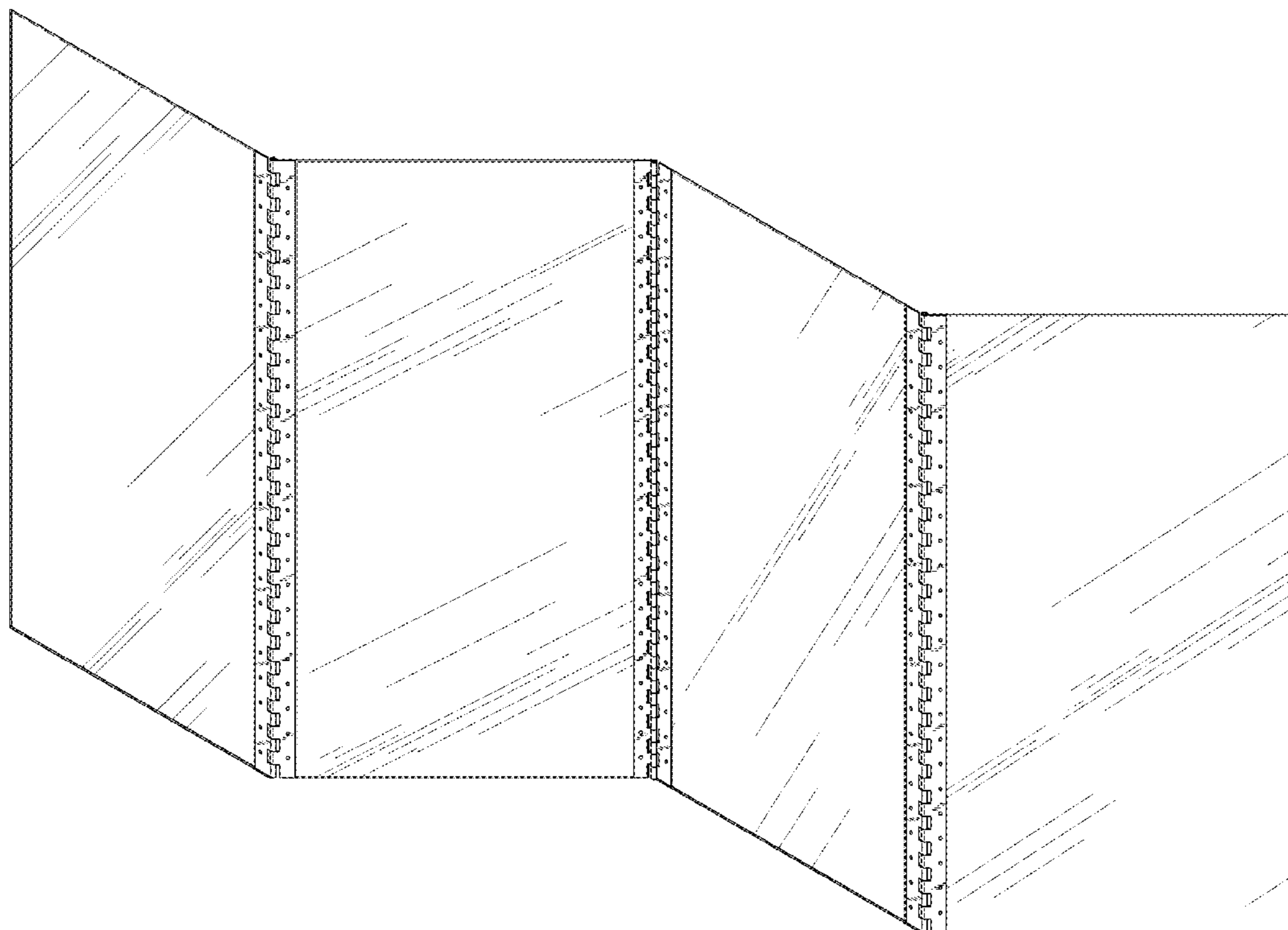
(57) **CLAIM**

What is claimed is the ornamental design for a façade for wires or equipment, as shown and described.

DESCRIPTION

FIG. 1 is a rear perspective view of a façade for wires or equipment, showing the new design;
 FIG. 2 is a rear elevational view thereof;
 FIG. 3 is a front elevational view thereof;
 FIG. 4 is a right-side elevational view thereof;
 FIG. 5 is a left-side elevational view thereof;
 FIG. 6 is a top plan view thereof, the bottom plan view being a mirror image thereof;
 FIG. 7 is a perspective view thereof, illustrated in a collapsed position;
 FIG. 8 is a right-side elevational view thereof;
 FIG. 9 is a left-side elevational view thereof; and,
 FIG. 10 is a top plan view thereof, the bottom plan view being a mirror image thereof.

1 Claim, 6 Drawing Sheets



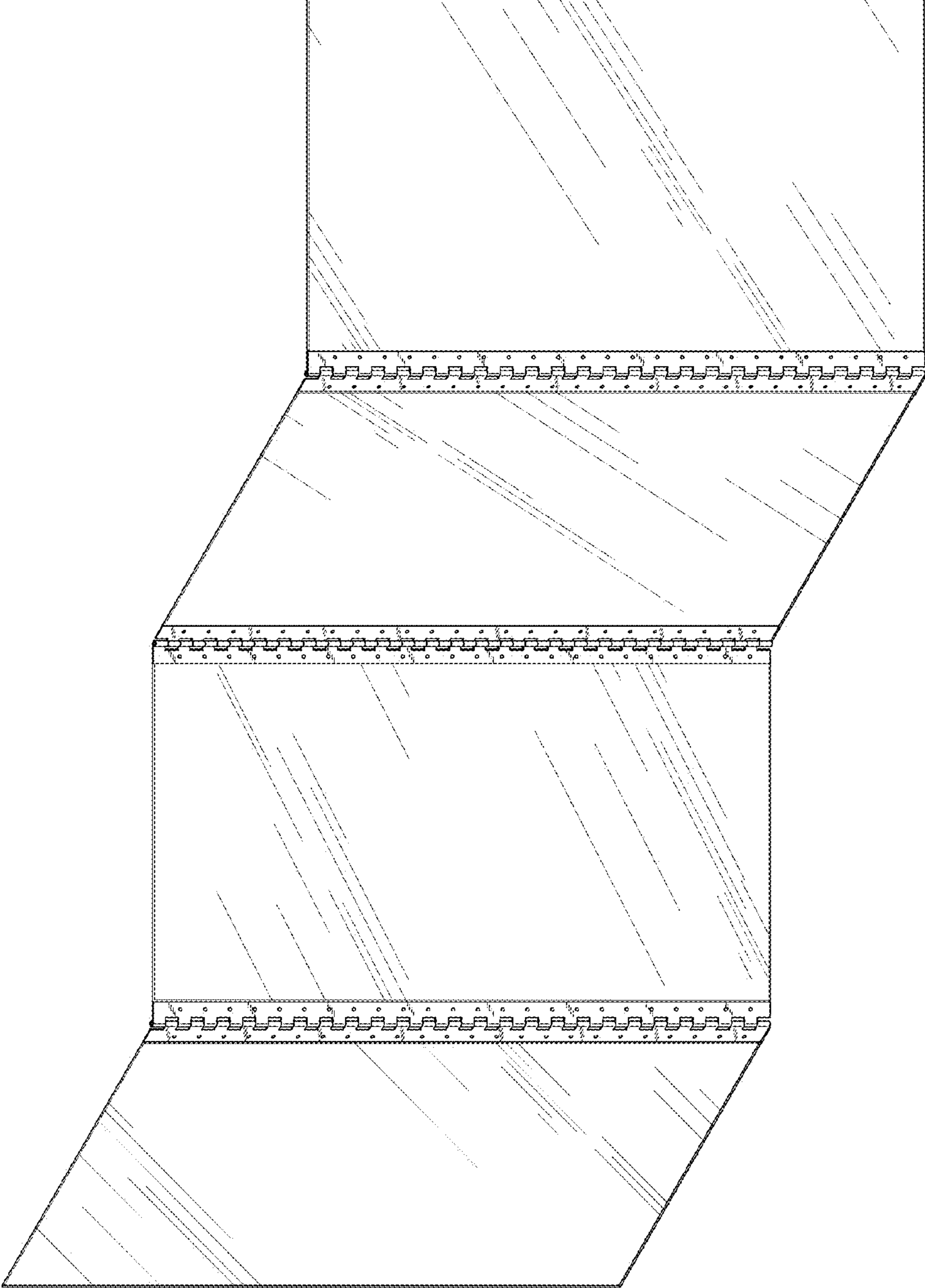


FIG. 1

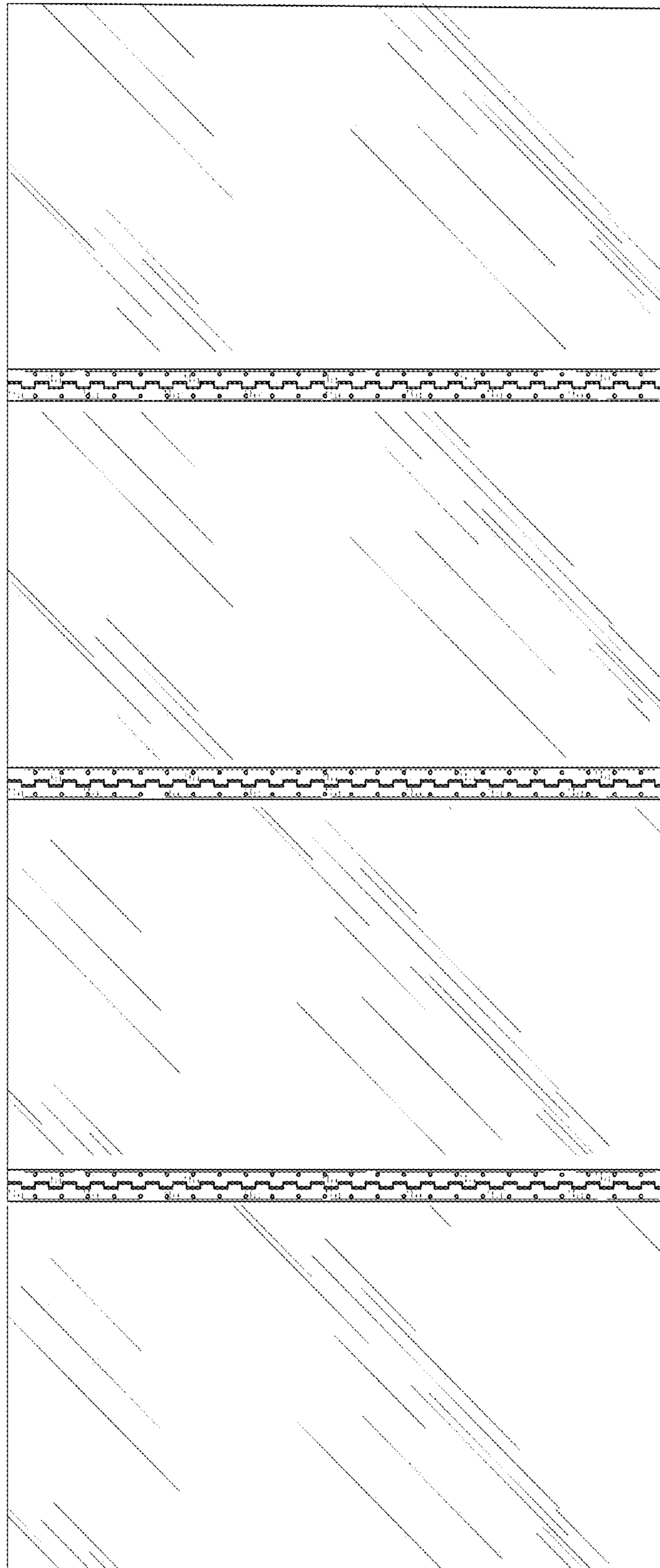


FIG. 2

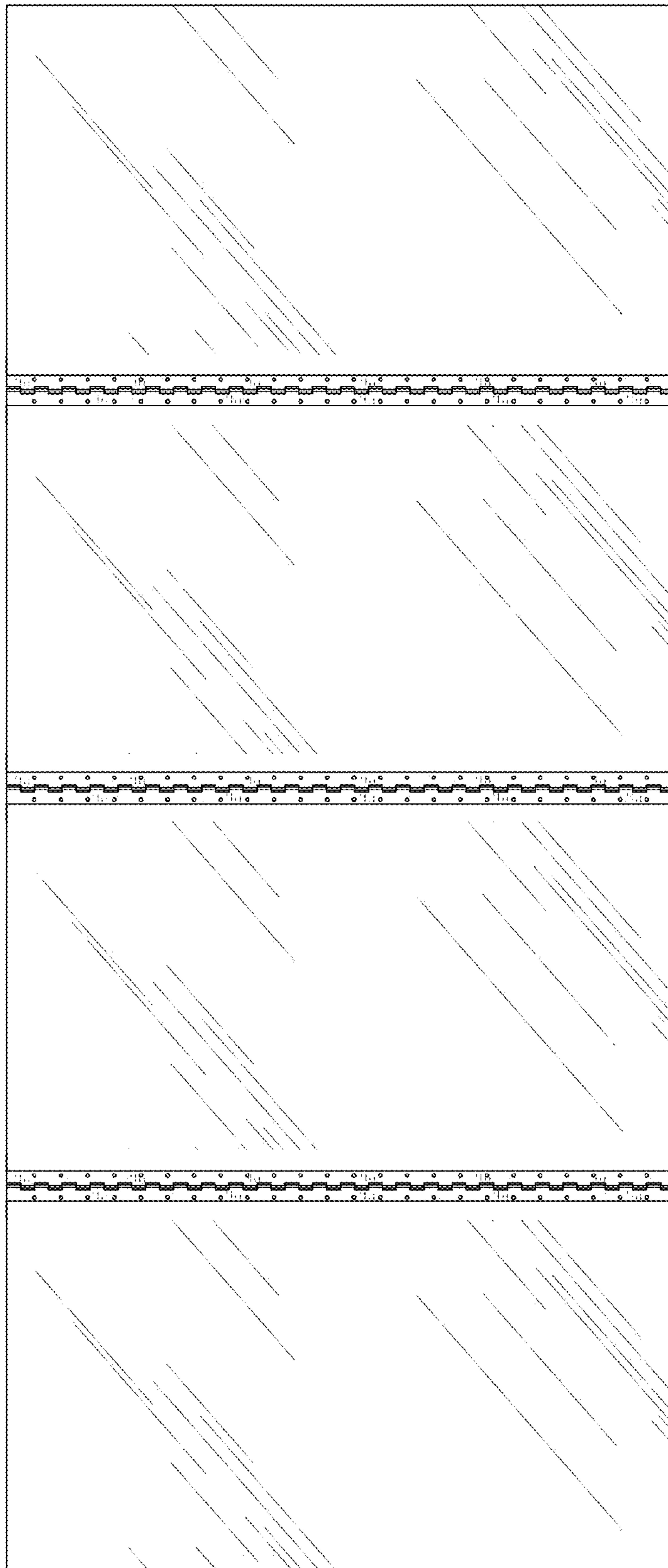


FIG. 3



FIG. 4

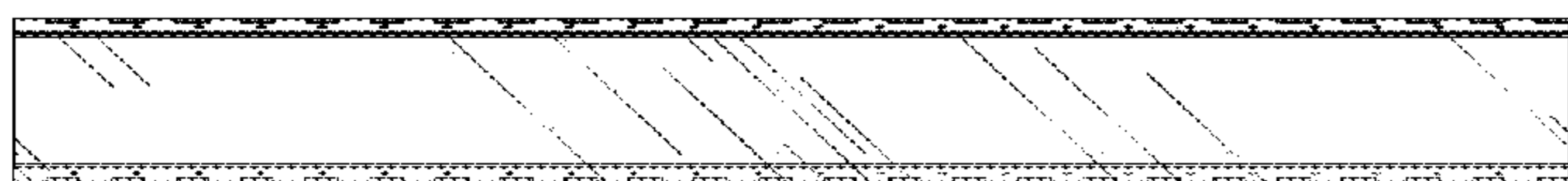


FIG. 5



FIG. 6

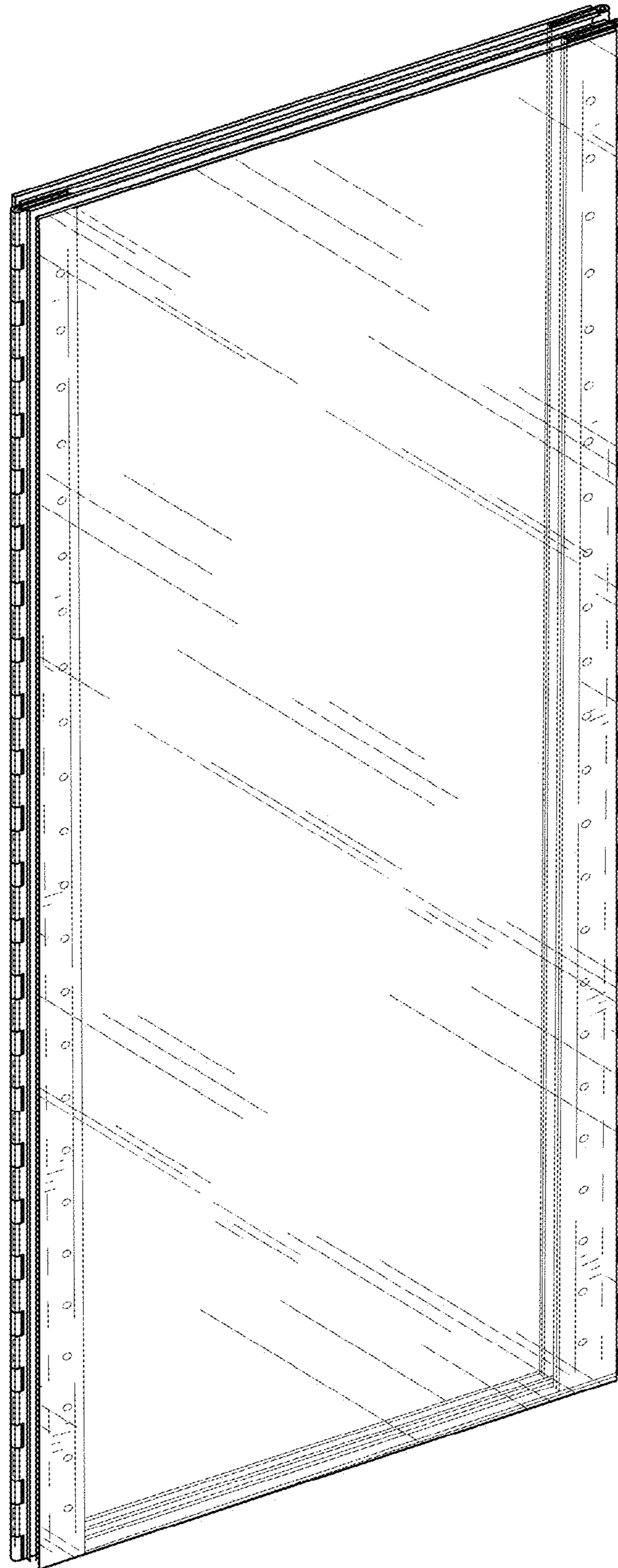


FIG. 7



FIG. 8

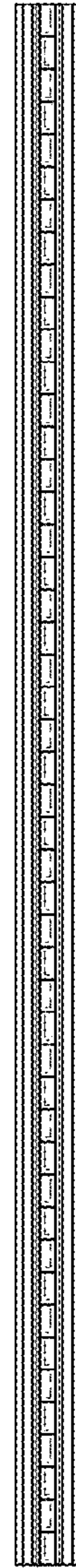


FIG. 9



FIG. 10