



US00D681958S

(12) **United States Design Patent**
Cavazos Jimenez et al.

(10) **Patent No.:** **US D681,958 S**
(45) **Date of Patent:** **** May 14, 2013**

- (54) **SHAVING BRUSH**
- (71) Applicant: **The Gillette Company**, Boston, MA (US)
- (72) Inventors: **Rolando Antonio Cavazos Jimenez**, Middleton, WI (US); **Steven Michael Schennum**, Plainfield, IL (US); **Thomas Michael McKeon**, Wheaton, IL (US)
- (73) Assignee: **The Gillette Company**, Boston, MA (US)
- (**) Term: **14 Years**
- (21) Appl. No.: **29/437,070**
- (22) Filed: **Nov. 13, 2012**

- 2,681,462 A 6/1954 Turnes
- 2,750,615 A 6/1956 Brazeman
- D270,631 S 9/1983 Moskin et al.
- D564,232 S 3/2008 Schulz
- 7,946,198 B2 5/2011 Gui et al.
- D652,991 S 1/2012 Cavazos Jimenez et al.

FOREIGN PATENT DOCUMENTS

- JP 1255359 S 11/2005
- SU 884 681 B 11/1981

OTHER PUBLICATIONS

DE 402008004106-0001 Registered Design Application (Braun GmbH) Nov. 21, 2008, [online], [retrieved on Oct. 15, 2010] Retrieved from the Designs Register of the German Patent and Trade Mark Office using the Internet: <URL: http://register.dmpa.de>.*

(Continued)

Primary Examiner — Melanie H Tung
Assistant Examiner — Lavone D Tabor

(74) *Attorney, Agent, or Firm* — Joanna N. Pappas; Kevin C. Johnson; Steven W. Miller

(57) **CLAIM**

The ornamental design of a shaving brush, as shown and described.

DESCRIPTION

FIG. 1 is a perspective view of a shaving brush of the present invention;
FIG. 2 is a front view thereof;
FIG. 3 is a rear view thereof;
FIG. 4 is a left side view thereof;
FIG. 5 is a right side view thereof;
FIG. 6 is a top plan view thereof; and,
FIG. 7 is a bottom plan view thereof.
The broken lines are shown for illustrative purposes only and form no part of the claimed design.

1 Claim, 2 Drawing Sheets

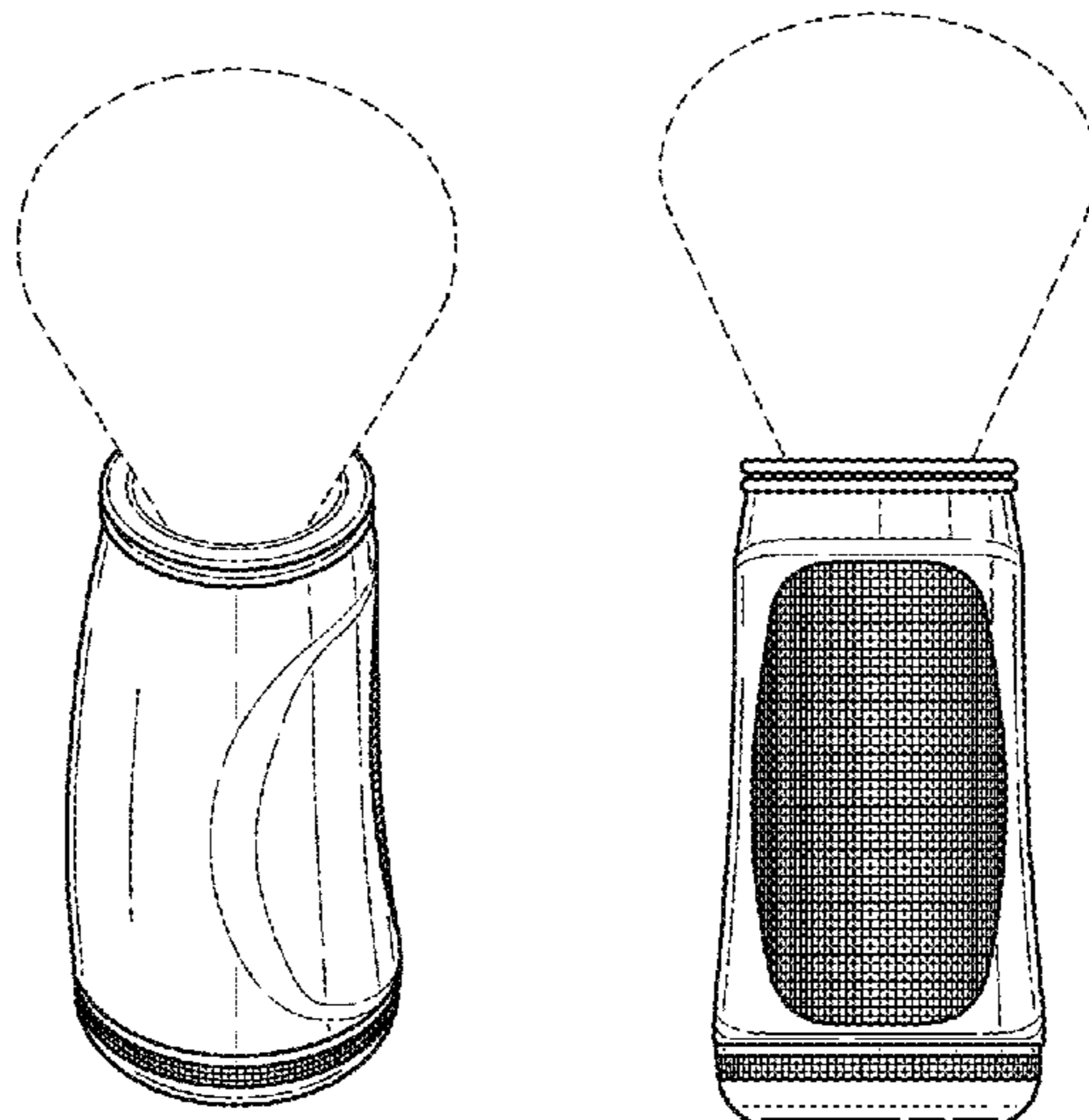
Related U.S. Application Data

- (62) Division of application No. 29/379,271, filed on Nov. 17, 2010, now Pat. No. Des. 673,777.
- (51) **LOC (9) Cl.** **04-02**
- (52) **U.S. Cl.**
USPC **D4/127; D4/138**
- (58) **Field of Classification Search** D4/127, D4/132-136, 138; D8/80, 83, 94, 107, 303; D28/7, 46, 48, 63; 15/143.1, 159.1, 160, 15/191.1-194; 16/110.1, 430, 431, DIG. 12, 16/DIG. 18, DIG. 19; 81/177.1, 436, 489, 81/492; 132/286, 289, 290, 313, 317, 320
See application file for complete search history.

(56) **References Cited**

U.S. PATENT DOCUMENTS

- 1,810,544 A 6/1931 Trupiano
- 1,909,146 A 5/1933 Bohanan
- 1,959,274 A 5/1934 Mar



OTHER PUBLICATIONS

EM 98991-0012 Registered Design Application, (Colgate-Palmolive Co.) Feb. 24, 2004, [online], [retrieved on Jul. 27, 2012] Retrieved from the Community Design Database of the Office for Harmoniza-

tion in the Internal Market using the Internet: <URL: <http://oami.europa.eu>>.*

* cited by examiner

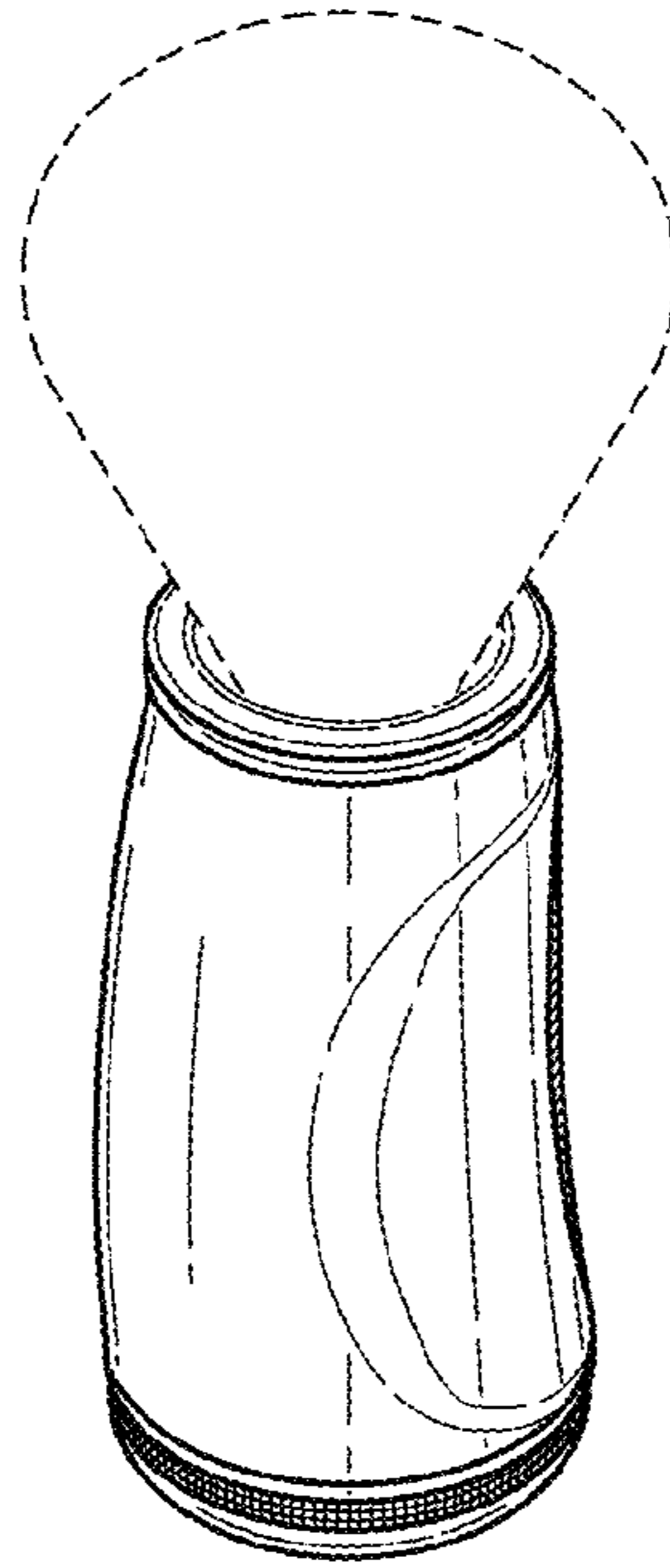


Fig. 1

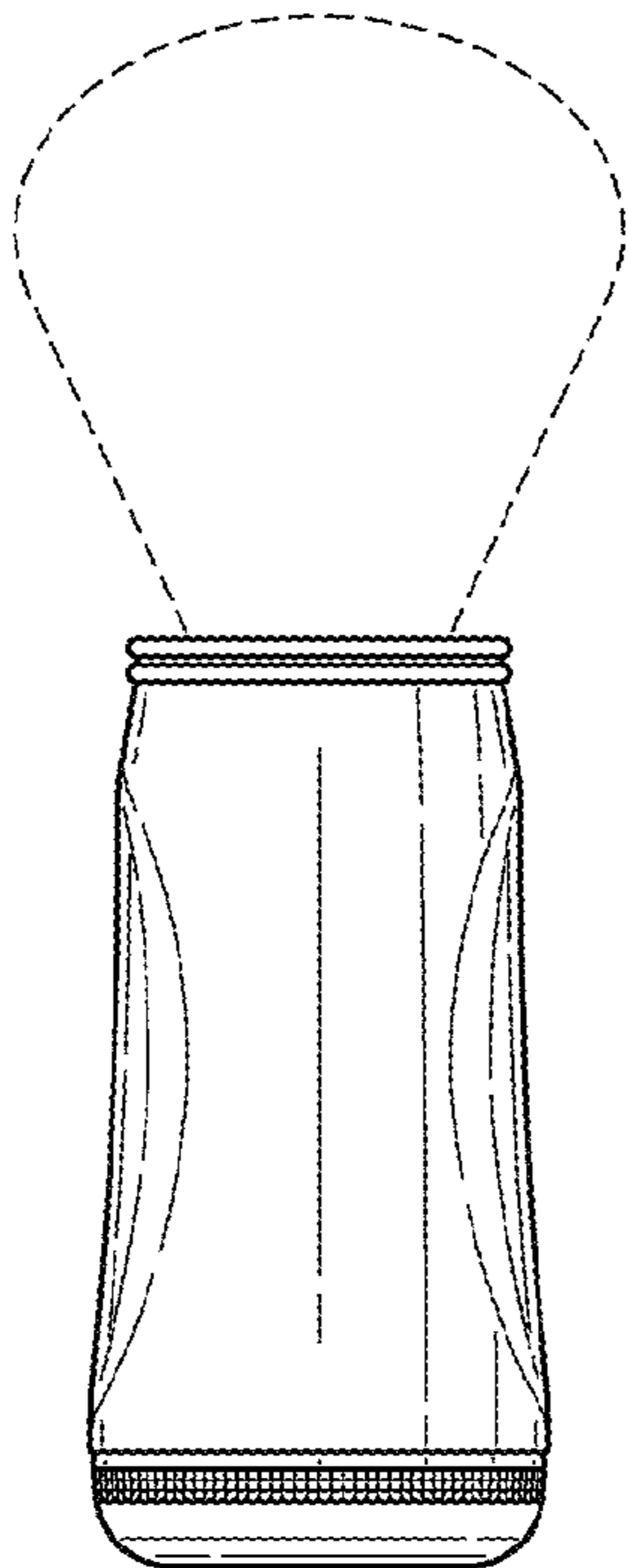


Fig. 2

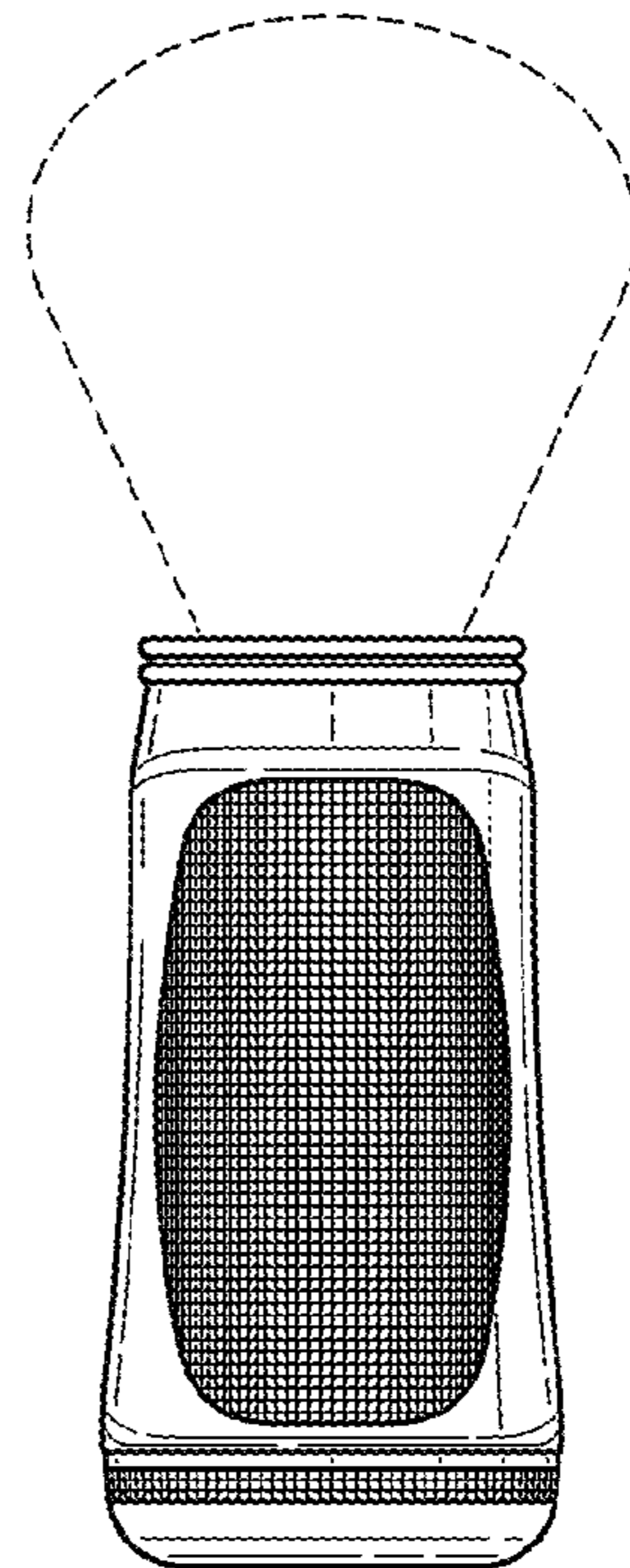


Fig. 3

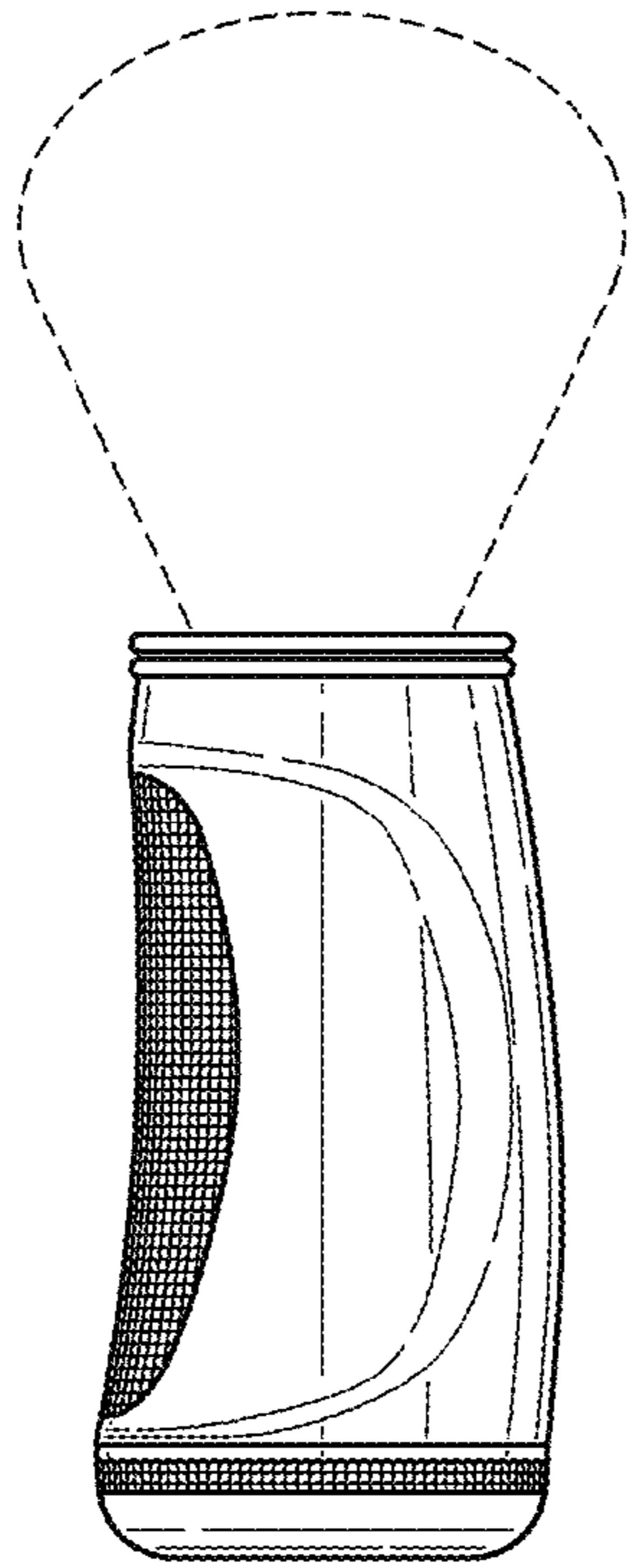


Fig. 4

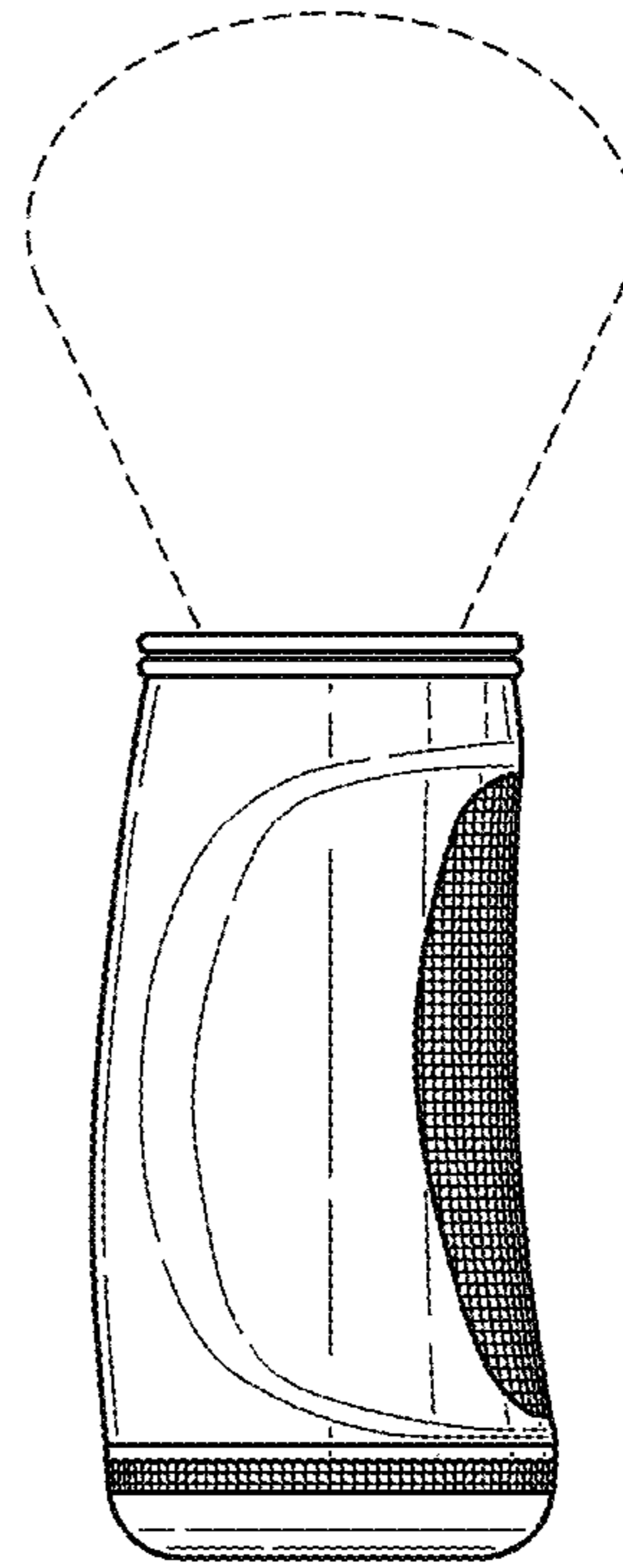


Fig. 5

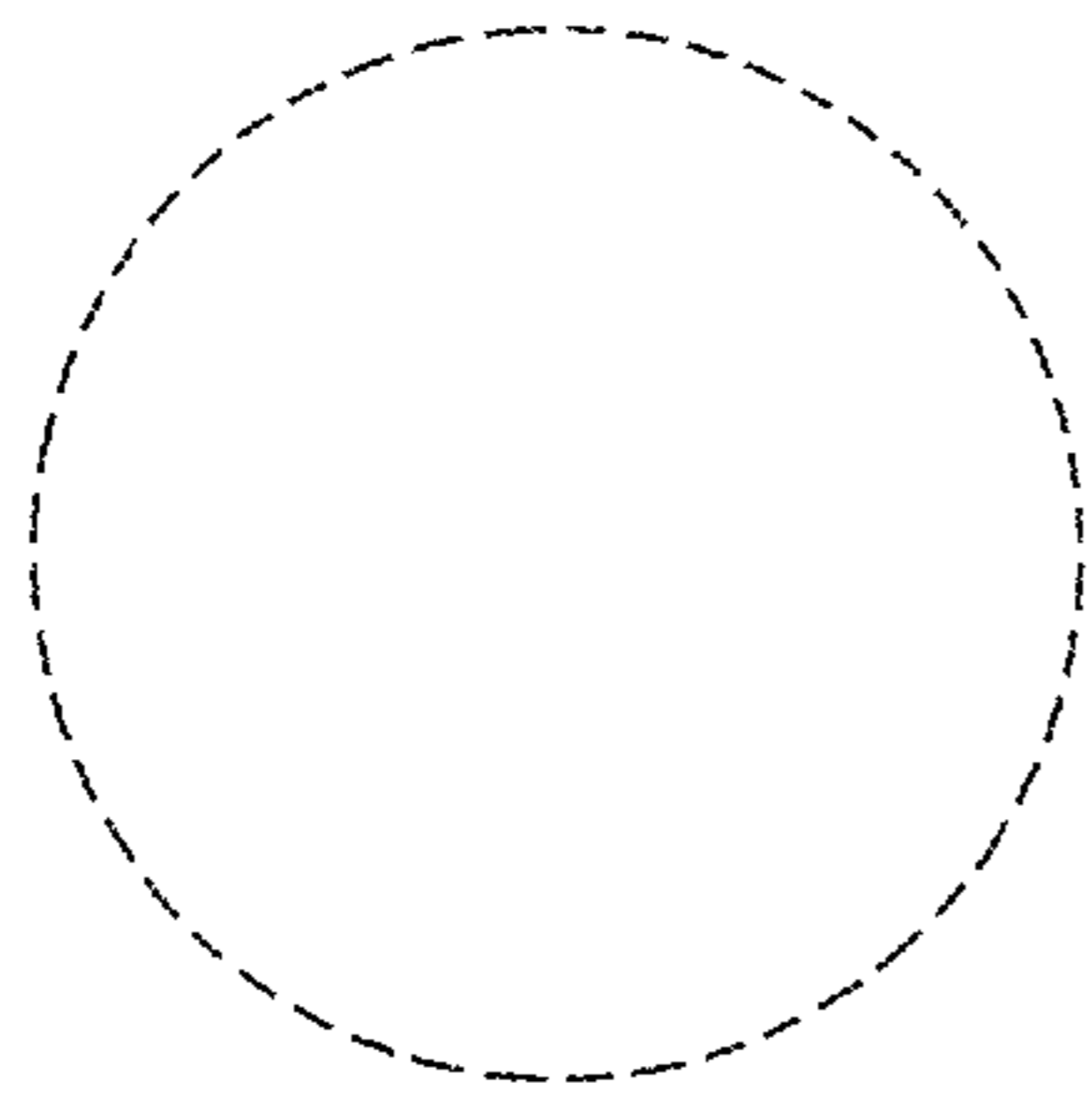


Fig. 6

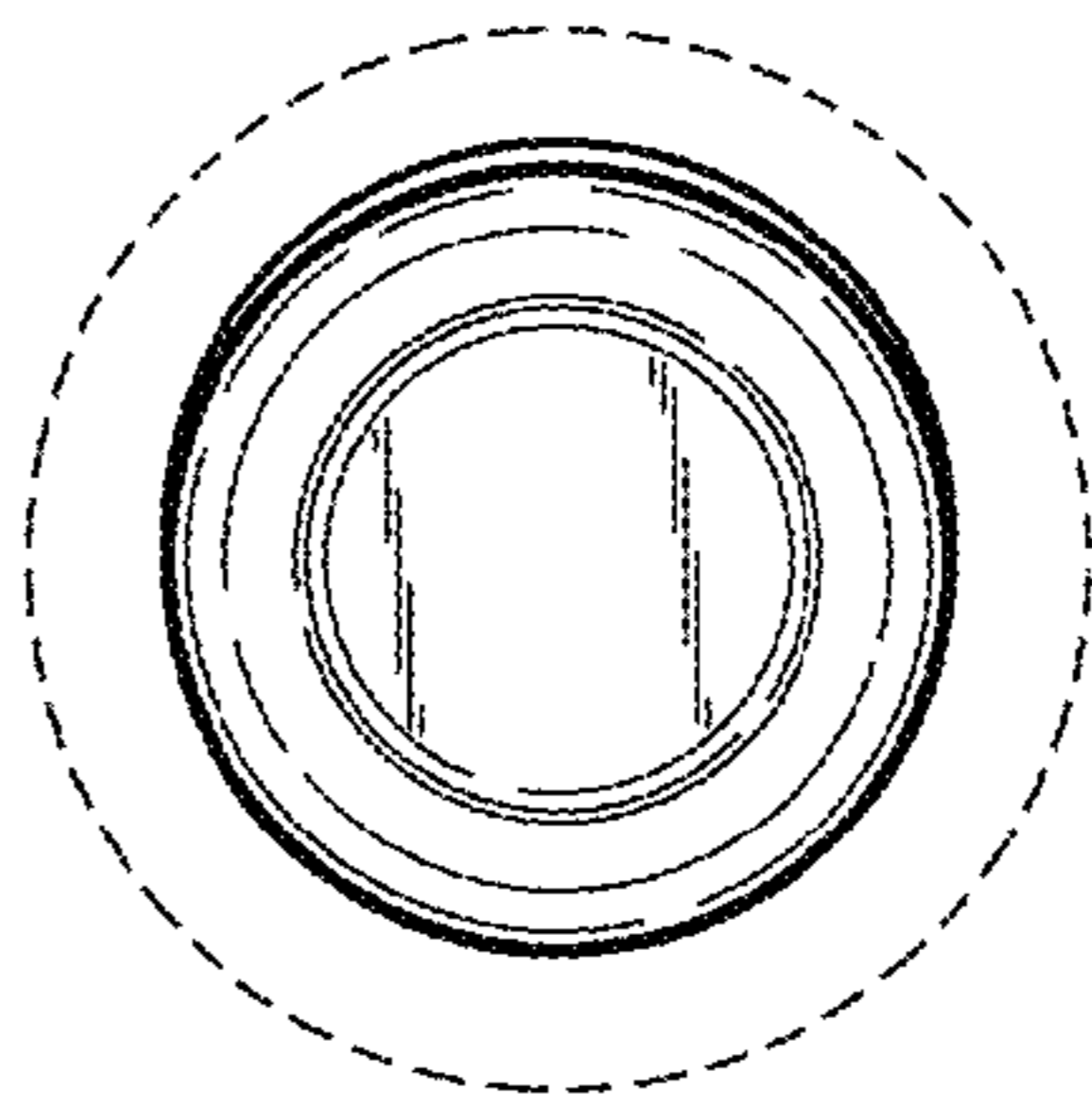


Fig. 7