



US00D681956S

(12) **United States Design Patent**
Cavazos Jimenez et al.

(10) **Patent No.:** **US D681,956 S**
(45) **Date of Patent:** **** May 14, 2013**

(54) **SHAVING BRUSH**

- (71) Applicant: **The Gillette Company**, Boston, MA (US)
- (72) Inventors: **Rolando Antonio Cavazos Jimenez**, Middleton, WI (US); **Steven Michael Schennum**, Plainfield, IL (US); **Thomas Michael McKeon**, Wheaton, IL (US)
- (73) Assignee: **The Gillette Company**, Boston, MA (US)
- (**) Term: **14 Years**
- (21) Appl. No.: **29/437,067**
- (22) Filed: **Nov. 13, 2012**

Related U.S. Application Data

- (62) Division of application No. 29/379,271, filed on Nov. 17, 2010, now Pat. No. Des. 673,777.
- (51) **LOC (9) Cl.** **04-02**
- (52) **U.S. Cl.**
USPC **D4/127; D4/138**
- (58) **Field of Classification Search** D4/127, D4/132-136, 138; D8/80, 83, 94, 107, 303; D28/7, 46, 48, 63; 15/143.1, 159.1, 160, 15/191.1-194; 16/110.1, 430, 431, DIG. 12, 16/DIG. 18, DIG. 19; 81/177.1, 436, 489, 81/492; 132/286, 289, 290, 313, 317, 320
See application file for complete search history.

(56) **References Cited**

U.S. PATENT DOCUMENTS

1,810,544 A	6/1931	Trupiano
1,909,146 A	5/1933	Bohanan
1,959,274 A	5/1934	Mar
2,681,462 A	6/1954	Turnes
2,750,615 A	6/1956	Brazeman
D270,631 S	9/1983	Moskin et al.
D564,232 S	3/2008	Schulz
7,946,198 B2	5/2011	Gui et al.
D652,991 S	1/2012	Cavazos Jimenez et al.

FOREIGN PATENT DOCUMENTS

JP	1255359 S	11/2005
SU	884 681 B	11/1981

Primary Examiner — Melanie H Tung
Assistant Examiner — Lavone D Tabor

(74) *Attorney, Agent, or Firm* — Joanne N. Pappas; Kevin C. Johnson; Steven W. Miller

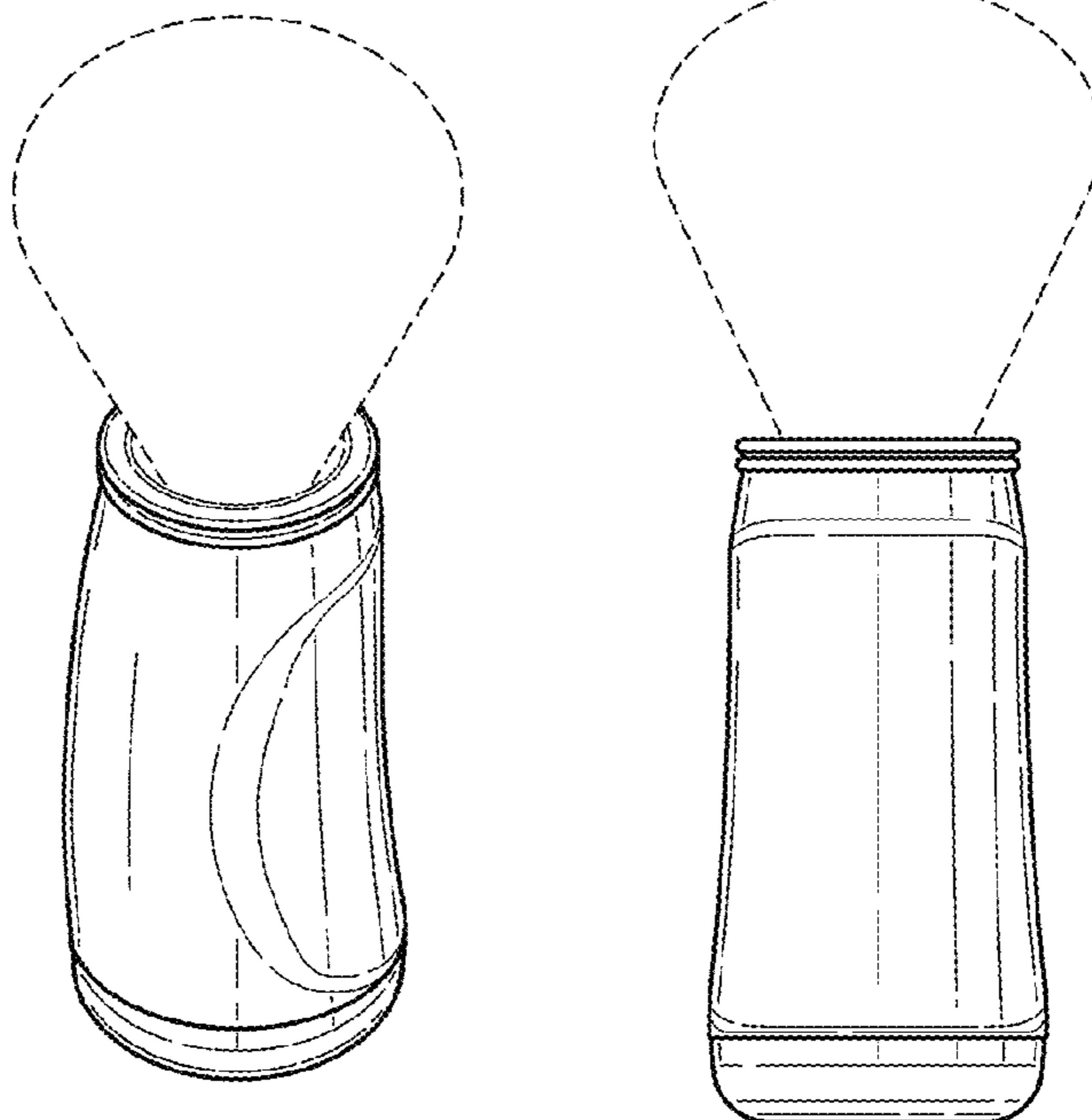
(57) **CLAIM**

The ornamental design of a shaving brush, as shown and described.

DESCRIPTION

FIG. 1 is a perspective view of a shaving brush of the present invention;
FIG. 2 is a front view thereof;
FIG. 3 is a rear view thereof;
FIG. 4 is a left side view thereof;
FIG. 5 is a right side view thereof;
FIG. 6 is a top plan view thereof; and,
FIG. 7 is a bottom plan view thereof.
The broken lines are shown for illustrative purposes only and form no part of the claimed design.

1 Claim, 2 Drawing Sheets



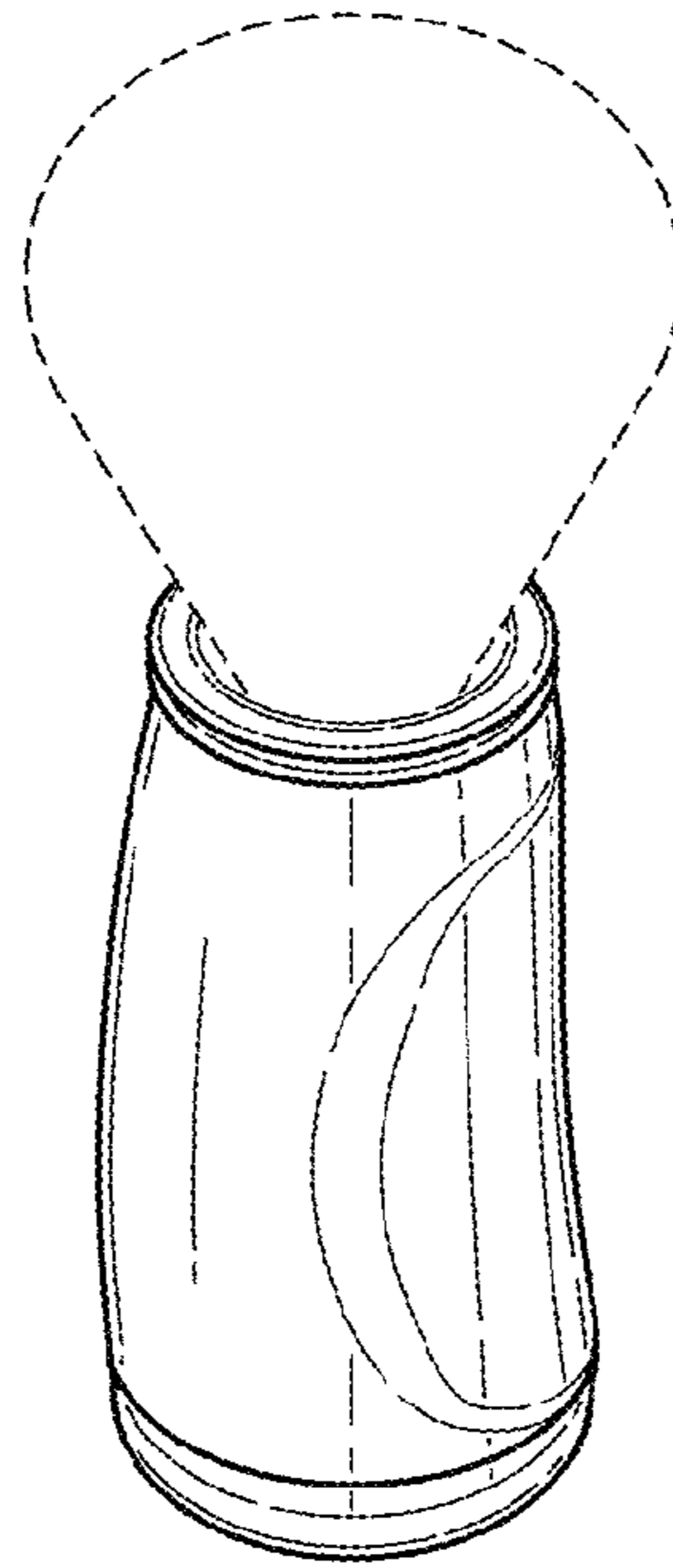


Fig. 1

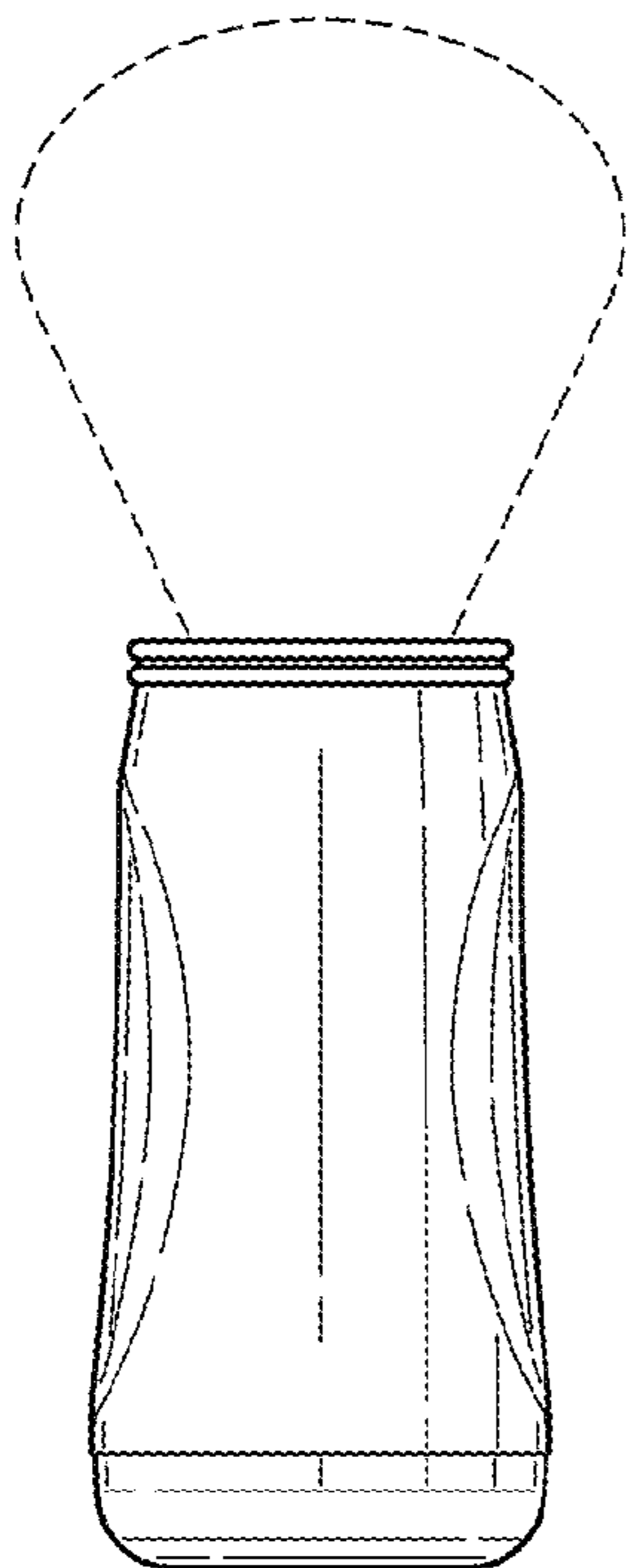


Fig. 2

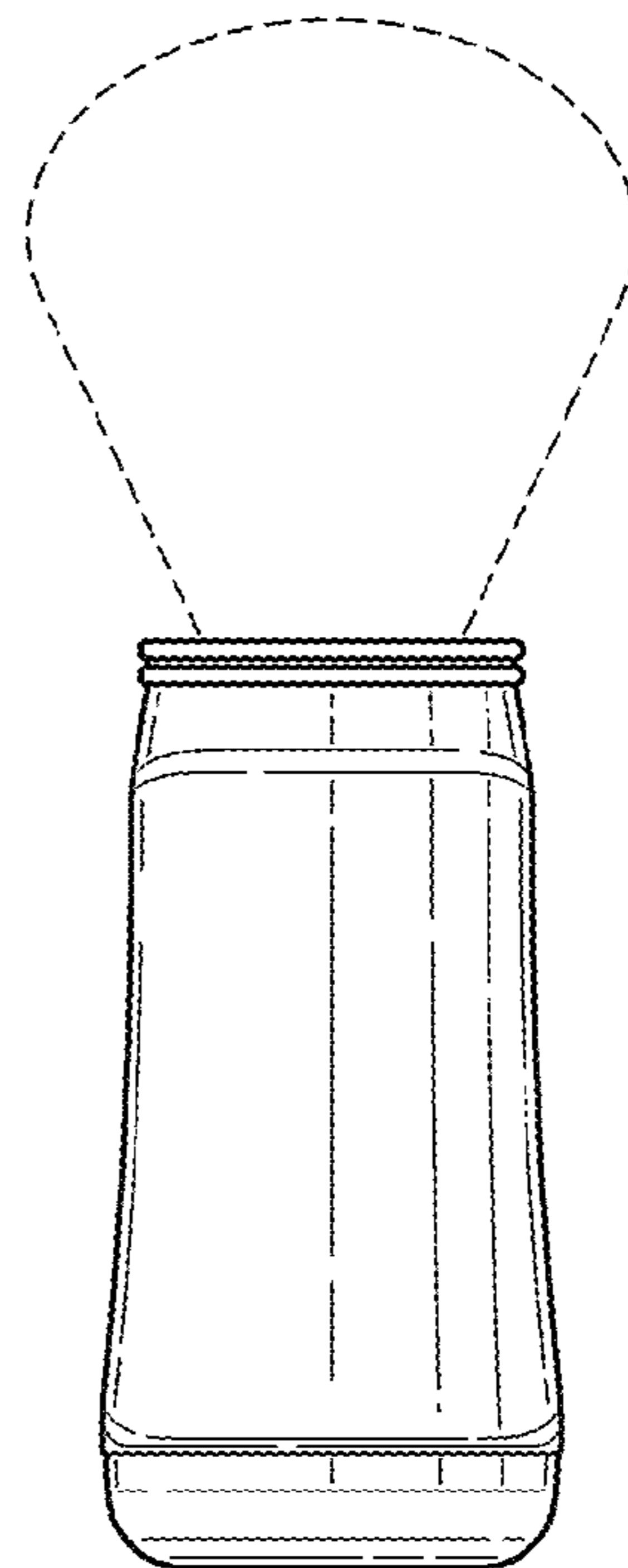


Fig. 3

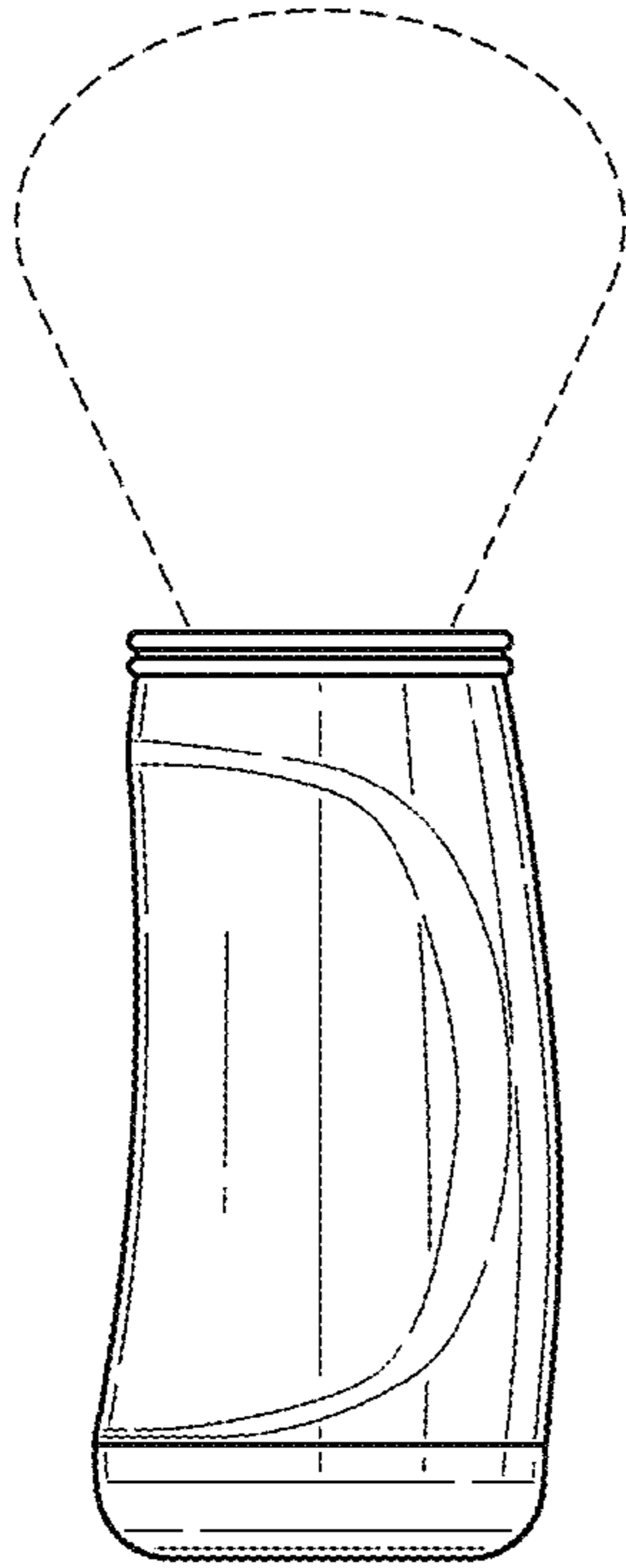


Fig. 4

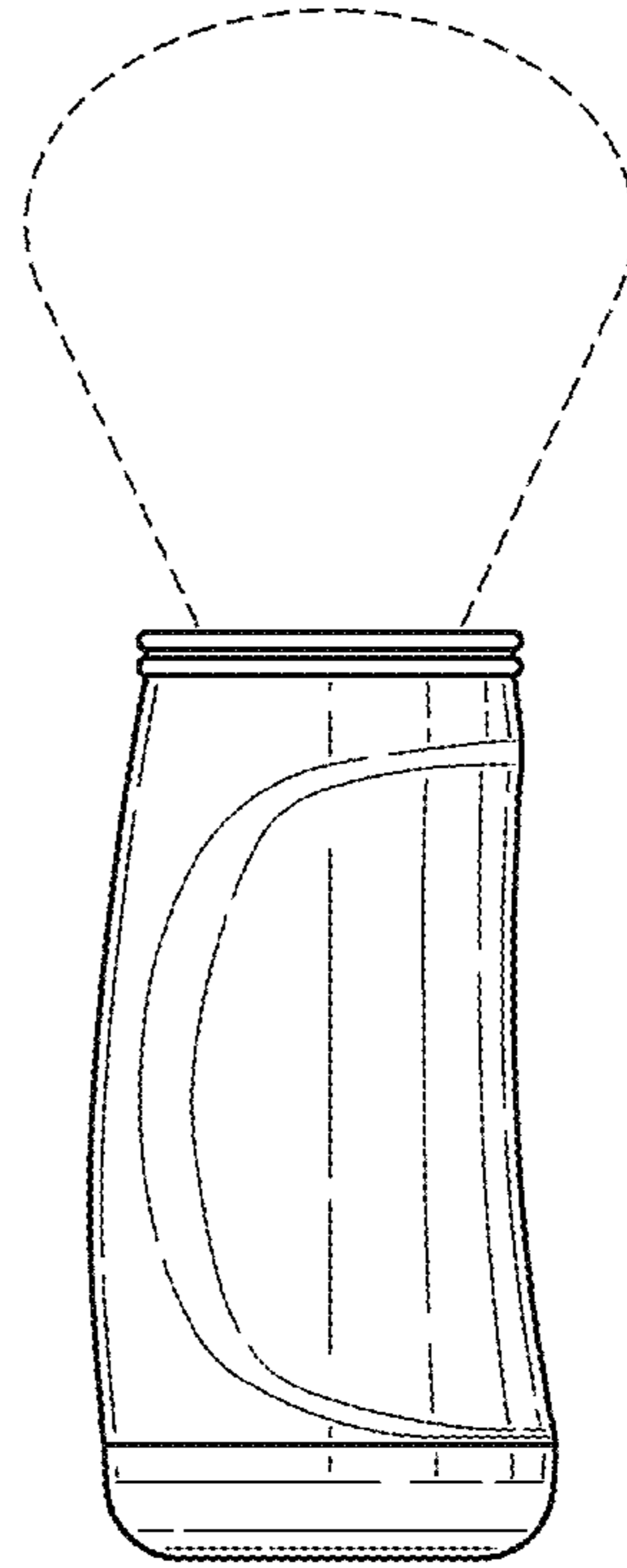


Fig. 5

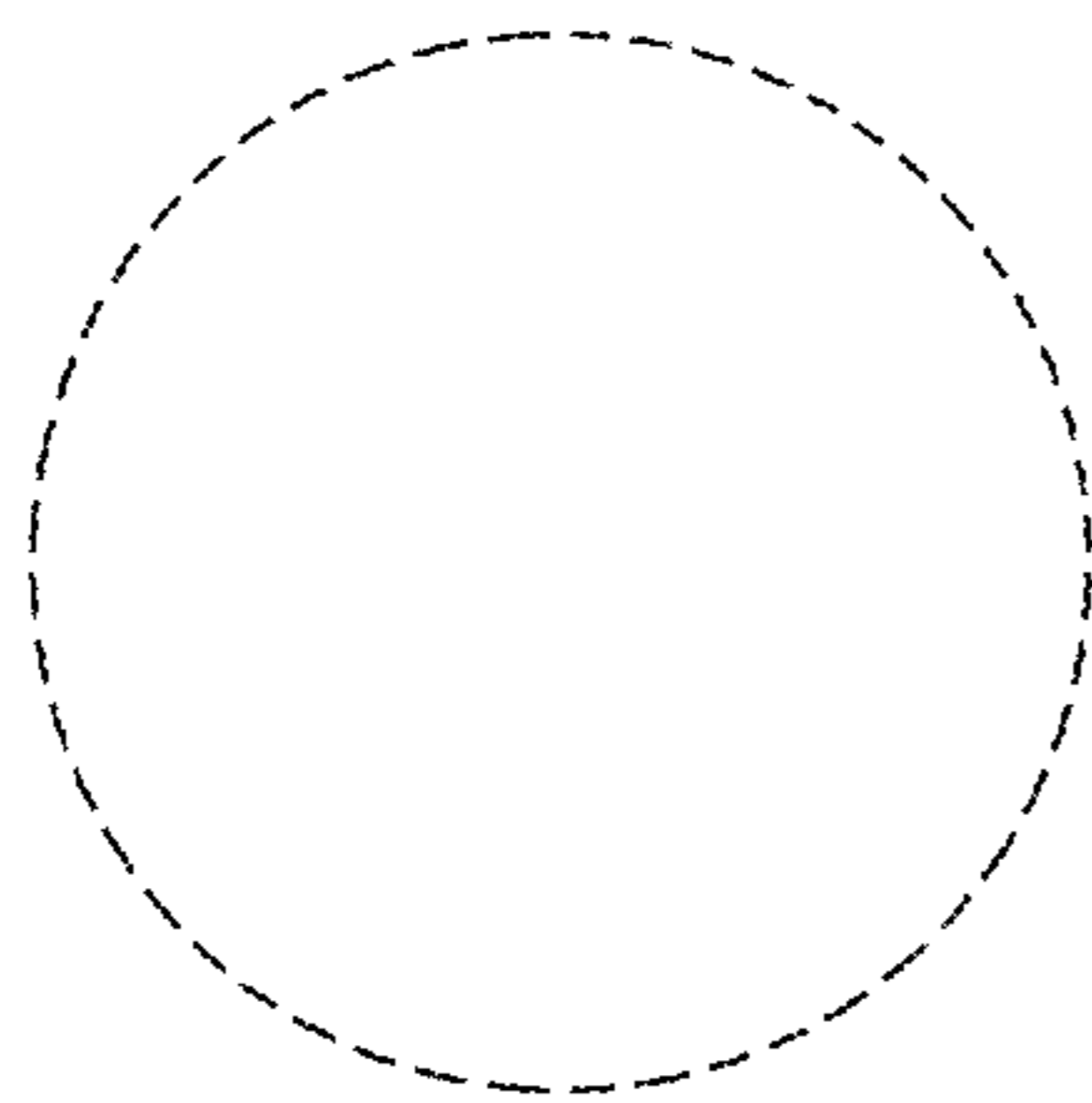


Fig. 6

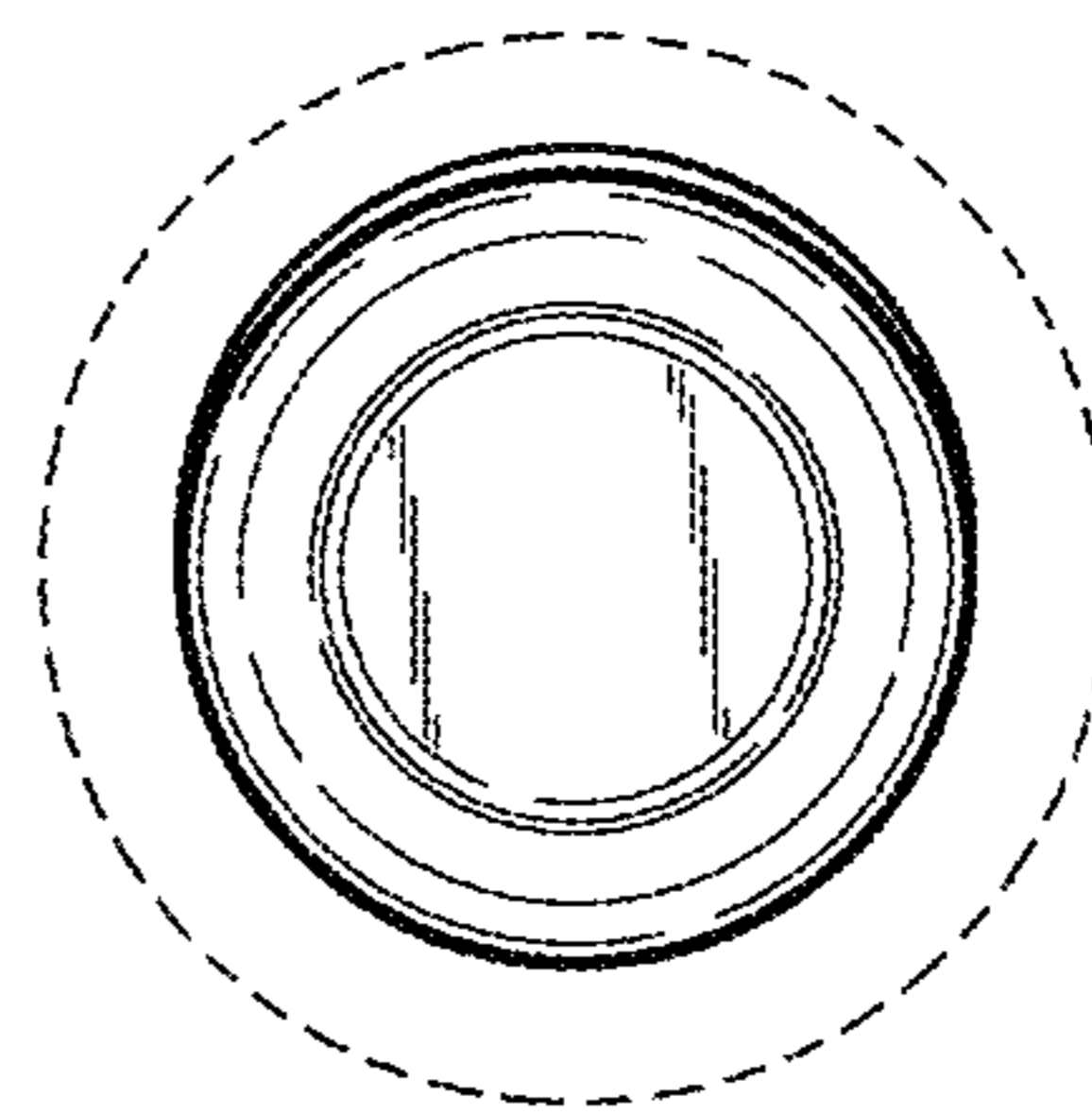


Fig. 7