



US00D681955S

(12) **United States Design Patent**
Paris

(10) **Patent No.:** **US D681,955 S**

(45) **Date of Patent:** **** May 14, 2013**

(54) **COSMETIC APPLICATOR**

(76) Inventor: **Jenelle Paris**, Wellesley, MA (US)

(**) Term: **14 Years**

(21) Appl. No.: **29/428,634**

(22) Filed: **Aug. 1, 2012**

(51) **LOC (9) Cl.** **04-02**

(52) **U.S. Cl.**
USPC **D4/124**

(58) **Field of Classification Search** D4/128,
D4/129, 131, 136, 138, 108, 109, 119, 124;
D32/35, 51; 15/104.5, 104.16, 104.2, 104.31,
15/104.32, 164, 165, 206; D28/65; D7/682;
452/298, 458

See application file for complete search history.

(56) **References Cited**

U.S. PATENT DOCUMENTS

423,067	A	*	3/1890	Melber	52/148
D167,179	S	*	7/1952	Stewart	D26/95
D257,179	S	*	9/1980	Campo	D26/95
D281,954	S	*	12/1985	Vogel	D9/638

D310,626	S	*	9/1990	Dinand	D9/638
5,072,555	A	*	12/1991	Geiger	52/82
D388,321	S	*	12/1997	Chahed	D9/638
D470,558	S	*	2/2003	Gutknecht	D21/831
D509,265	S	*	9/2005	Lemesle	D21/560
D590,541	S	*	4/2009	Chaoui	D27/162
D609,064	S	*	2/2010	Najaryan et al.	D7/702
D614,706	S	*	4/2010	Lemesle	D21/460

* cited by examiner

Primary Examiner — Austin Murphy

(74) *Attorney, Agent, or Firm* — Bay State IP, LLC

(57) **CLAIM**

I claim the ornamental design for a cosmetic applicator, as shown and described.

DESCRIPTION

FIG. 1 is a front side perspective view showing my new design;

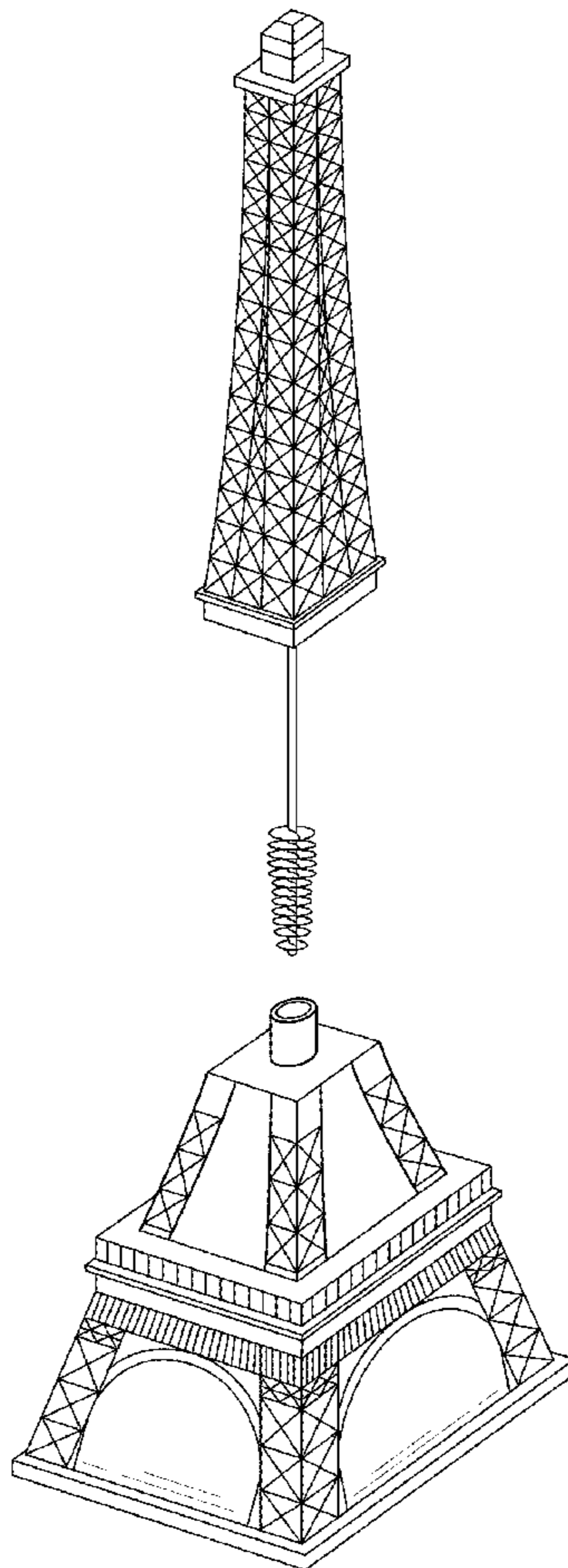
FIG. 2 is a front view thereof;

FIG. 3 is a back view thereof;

FIG. 4 is a top view thereof; and,

FIG. 5 is a bottom view thereof.

1 Claim, 3 Drawing Sheets



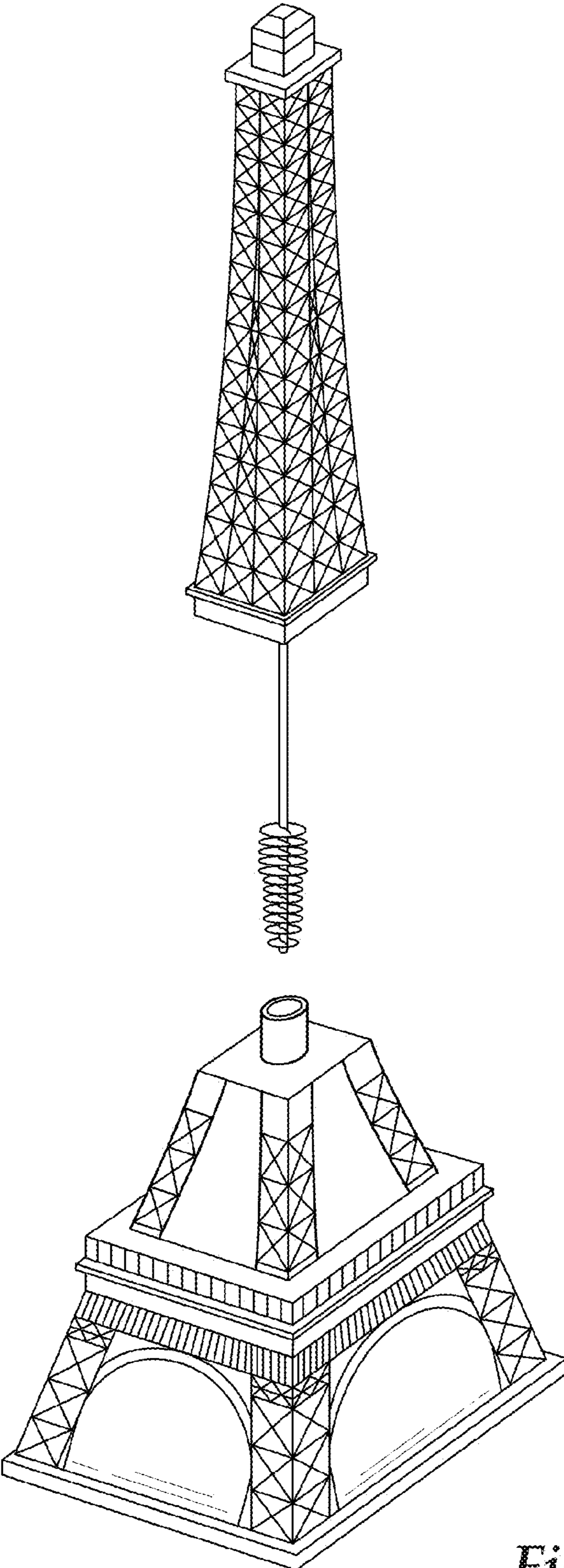


Fig. 1

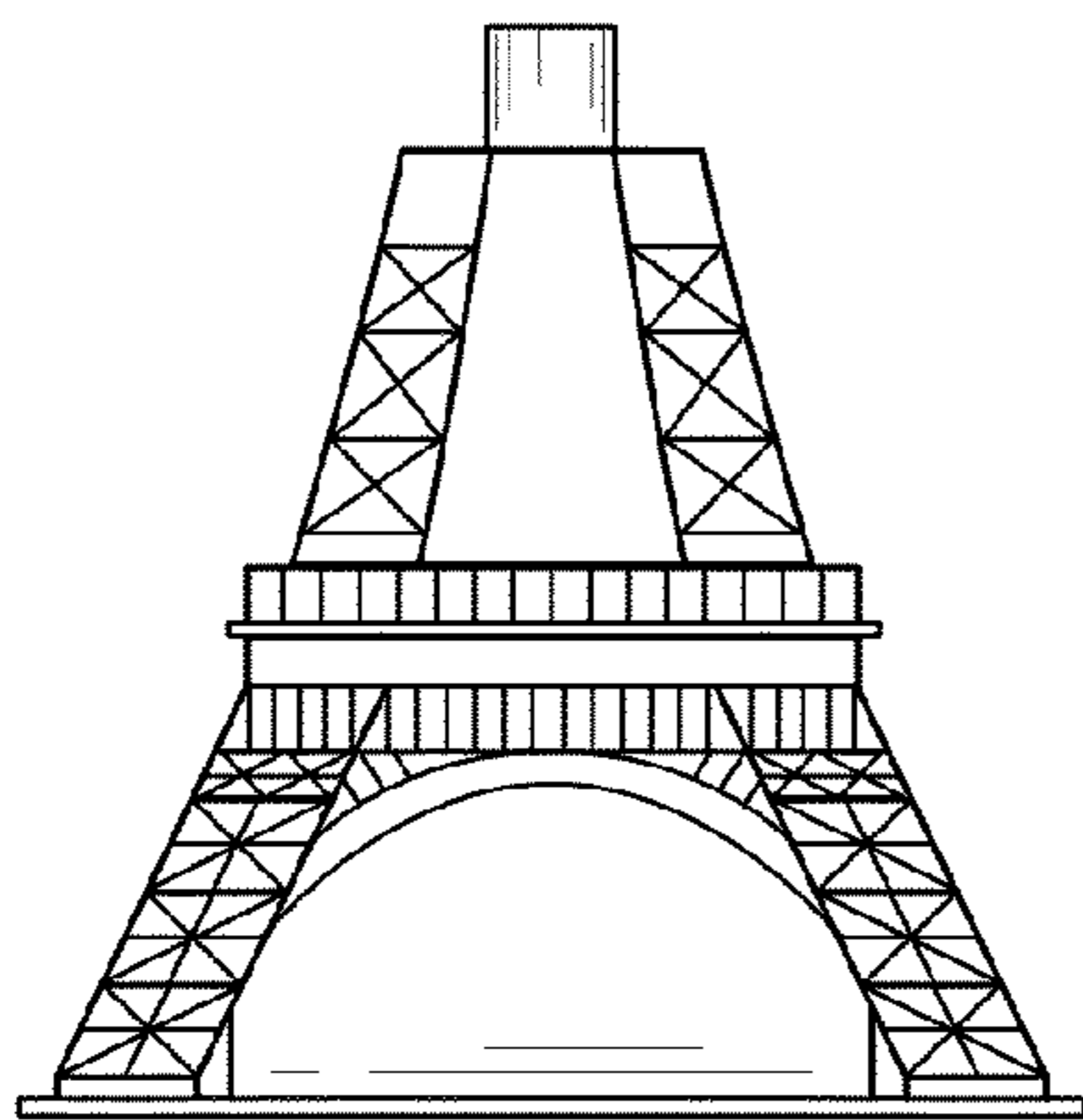
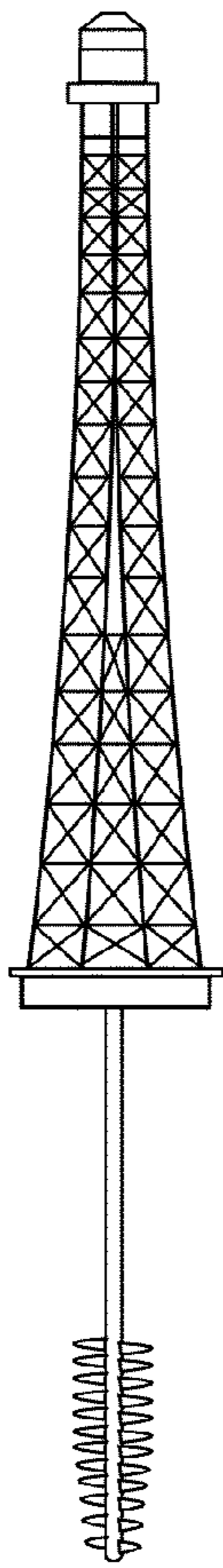


Fig. 2

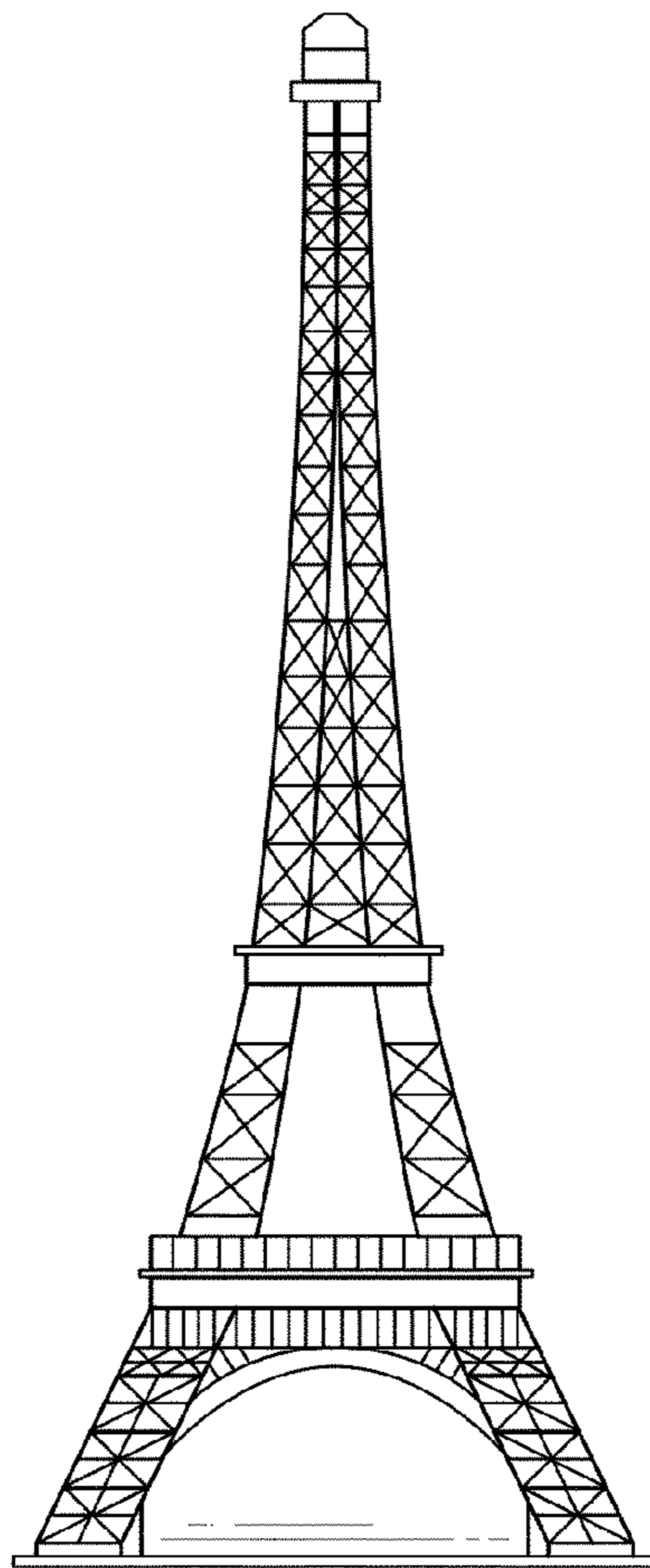


Fig. 3

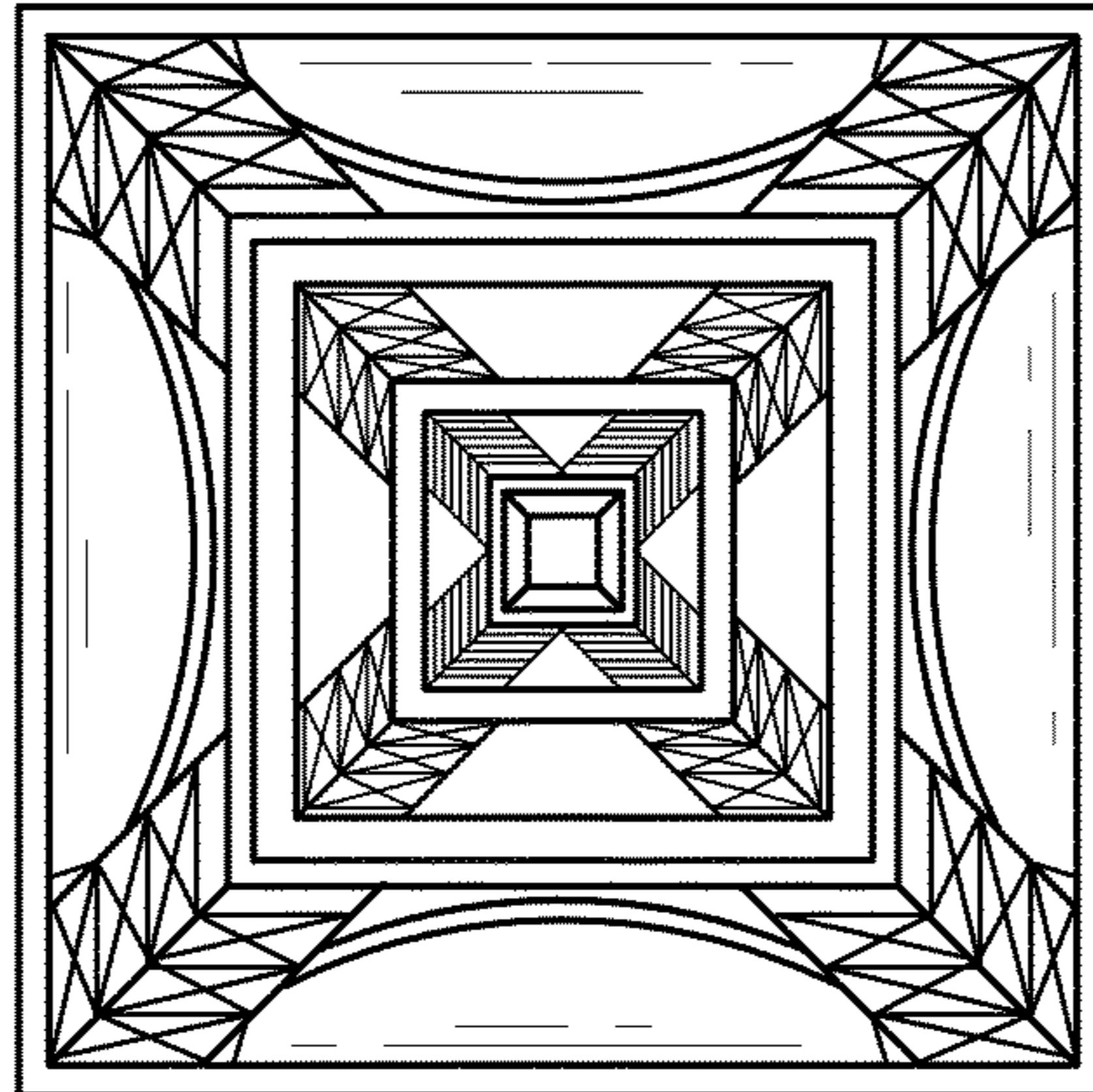


Fig. 4

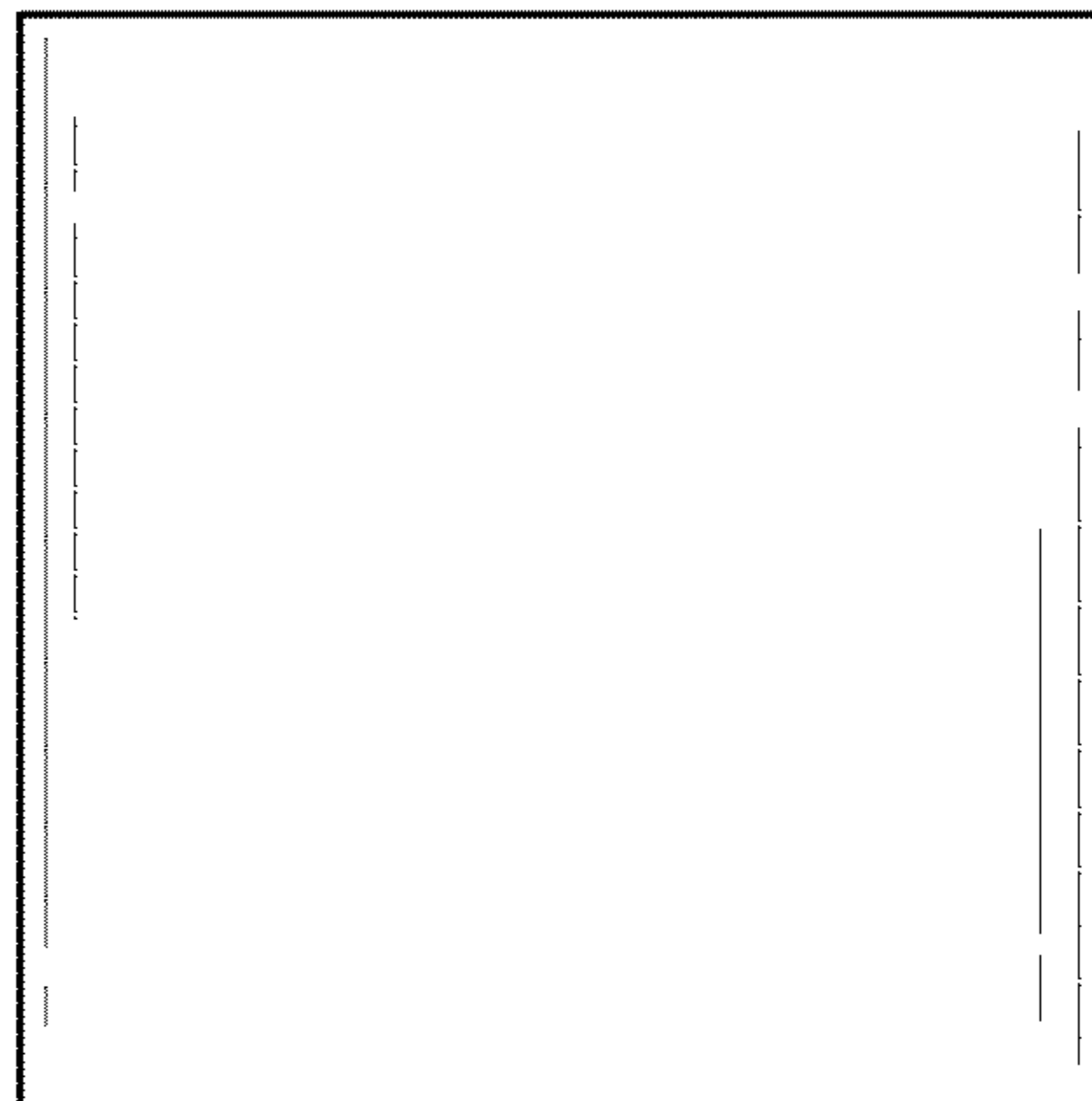


Fig. 5