



US00D681953S

(12) **United States Design Patent**
Scott

(10) **Patent No.:** **US D681,953 S**

(45) **Date of Patent:** **** May 14, 2013**

- (54) **BOX**
- (76) Inventor: **William Scott**, Villa Hills, KY (US)
- (**) Term: **14 Years**
- (21) Appl. No.: **29/391,489**
- (22) Filed: **May 9, 2011**
- (51) **LOC (9) Cl.** **03-01**
- (52) **U.S. Cl.**
USPC **D3/310**
- (58) **Field of Classification Search** D3/304–305,
D3/307–315; D19/75–76, 86, 90–91, 99–100;
229/100, 117.13, 117.16, 120.02, 120.24,
229/120.29; 220/500, 528–529; D34/1;
312/183–184, 107; 211/45–46, 10–11, 126.13
See application file for complete search history.

- 3,049,279 A 8/1962 Mairs et al.
- 3,107,041 A 10/1963 Wagner, Jr.
- 3,138,283 A * 6/1964 Peebles 220/557
- 3,186,586 A 6/1965 Box
- 3,195,798 A 7/1965 Wilson
- 3,282,462 A 11/1966 Box
- 3,301,386 A 1/1967 Carter
- 3,314,532 A 4/1967 Henry

(Continued)

FOREIGN PATENT DOCUMENTS

WO WO 99/25621 5/1999

OTHER PUBLICATIONS

William Mitchell Scott, U.S. Appl. No. 29/419,507, filed Apr. 28, 2012, Carrying Tote.

(Continued)

Primary Examiner — Kelley Donnelly

(74) *Attorney, Agent, or Firm* — Donald E. Hasse; Hasse & Nesbitt LLC

(56) **References Cited**

U.S. PATENT DOCUMENTS

- 1,457,770 A 6/1923 Dodge
- 1,623,547 A 4/1927 Neumann
- 1,897,672 A 2/1933 Neumann
- 1,974,674 A 9/1934 Halladay et al.
- 2,054,355 A 9/1936 Anderson, Jr.
- 2,124,409 A 7/1938 Andrews
- 2,253,008 A 8/1941 Anderson, Jr.
- 2,289,619 A 7/1942 Anderson, Jr.
- 2,307,349 A 1/1943 Anderson, Jr.
- 2,307,350 A 1/1943 Anderson, Jr.
- 2,365,182 A 12/1944 Ferguson
- 2,418,963 A 4/1947 Anderson, Jr.
- 2,460,230 A 1/1949 Makrianes
- 2,537,801 A 1/1951 Swatsick
- 2,559,552 A 7/1951 Welshenbach
- 2,561,979 A 7/1951 George
- 2,604,255 A 7/1952 Welshenbach
- 2,629,499 A 2/1953 Welshenbach
- 2,645,353 A 7/1953 Anderson, Jr.
- 3,002,650 A 10/1961 Lovell

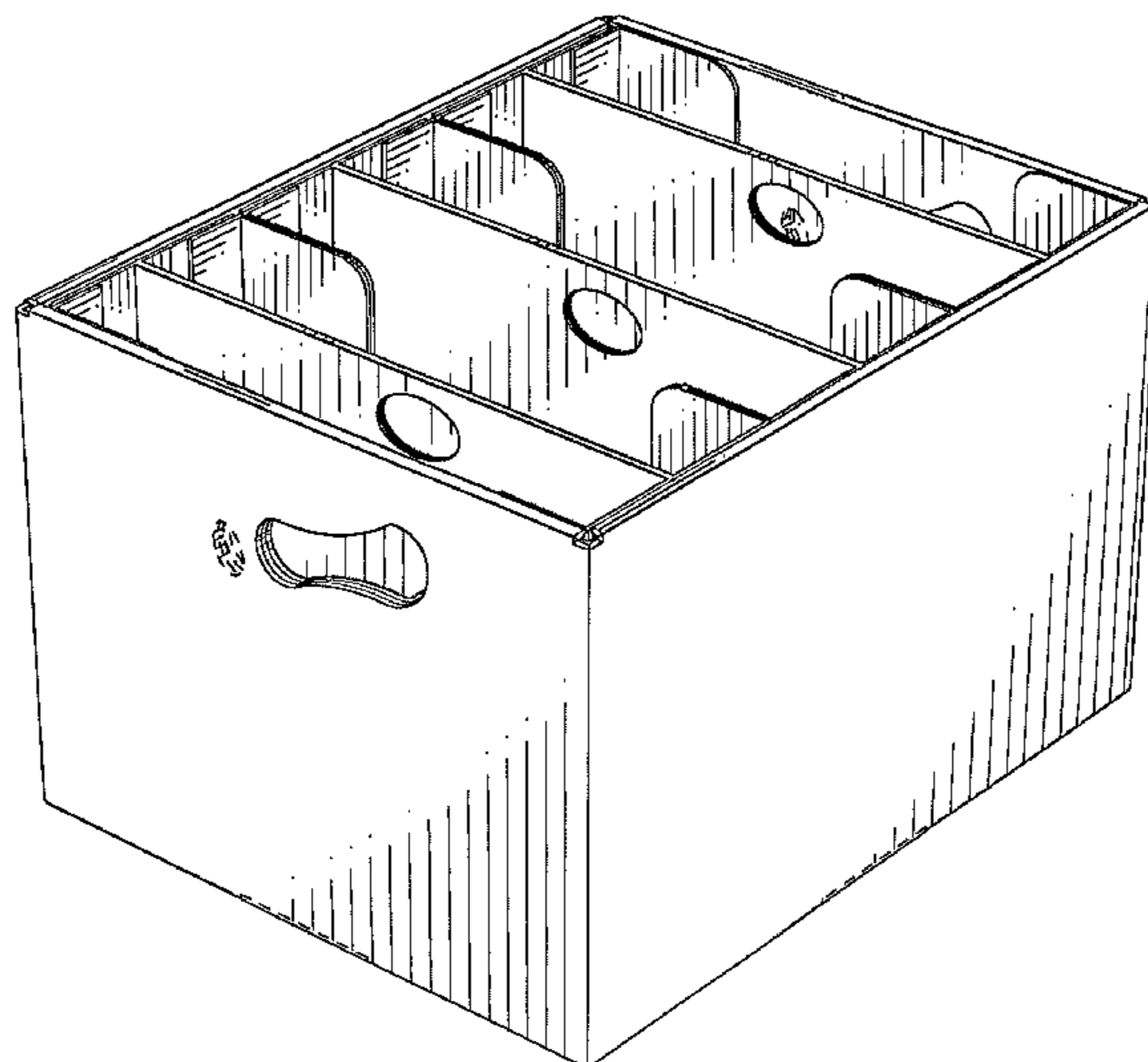
(57) **CLAIM**

I claim the ornamental design for a box, as shown and described.

DESCRIPTION

FIG. 1 is a perspective view of the box;
 FIG. 2 is a side view of the box;
 FIG. 3 is another side view of the box;
 FIG. 4 is a top view of the box;
 FIG. 5 is a bottom view of the box;
 FIG. 6 is an exploded perspective view of the box;
 FIG. 7 is another exploded perspective view of the box; and,
 FIG. 8 is another perspective view of the box.
 The broken lines shown in the drawings are for illustrative purposes only and form no part of the claimed design.

1 Claim, 8 Drawing Sheets



US D681,953 S

U.S. PATENT DOCUMENTS

3,366,496	A	1/1968	Bomar et al.	
3,379,341	A	4/1968	Miles	
3,438,562	A	4/1969	Connor et al.	
3,667,666	A	6/1972	Pryor	
3,670,949	A	6/1972	Galanes	
3,684,159	A	8/1972	Wolfe	
3,692,231	A	9/1972	Neitzke et al.	
3,713,579	A	1/1973	Chaffers	
3,724,920	A *	4/1973	Beck	312/184
3,844,473	A	10/1974	Whelan	
D242,021	S	10/1976	Shanklin	
4,030,600	A	6/1977	Heaps	
4,101,052	A	7/1978	Dove	
4,172,522	A	10/1979	Muller et al.	
4,285,150	A	8/1981	Richardson et al.	
4,291,830	A	9/1981	Sorensen	
4,325,493	A *	4/1982	Paige	229/185.1
4,380,290	A	4/1983	Luebke	
2,822,973	A	2/1985	Armstrong et al.	
4,617,702	A	10/1986	Diederich, Jr.	
4,768,704	A	9/1988	Beckway et al.	
4,817,861	A	4/1989	Henrikson	
4,927,074	A	5/1990	LaRue et al.	
4,961,497	A	10/1990	Sherer et al.	
D312,531	S	12/1990	Sherer et al.	
5,042,657	A	8/1991	Dunn	
D326,341	S *	5/1992	Frauhiger	D34/1
D348,390	S *	7/1994	Van Ness	D9/760
5,429,295	A	7/1995	Levy	
D361,892	S	9/1995	Quaintance	
5,494,161	A *	2/1996	Herbst	206/425
D391,079	S	2/1998	Conti et al.	
D394,950	S	6/1998	Kite	
5,779,129	A	7/1998	Herbst et al.	
D398,228	S	9/1998	Herbst et al.	
D398,230	S	9/1998	Herbst et al.	
5,908,152	A	6/1999	Tullis	
D421,183	S	2/2000	Koskinen	
D422,499	S	4/2000	Herbst et al.	
D423,587	S	4/2000	Conley et al.	
D424,117	S	5/2000	Steinbeck et al.	
D425,128	S *	5/2000	Conley et al.	D19/90
D425,562	S	5/2000	Conley et al.	
6,059,180	A	5/2000	Collins	
6,123,254	A	9/2000	Dupuis	
6,149,052	A	11/2000	Mueller	
D448,567	S *	10/2001	Buss	D3/310
D453,275	S *	2/2002	Stravitz	D6/570
D461,120	S *	8/2002	Ostro	D9/759

6,705,515	B2	3/2004	Dowd	
D494,759	S	8/2004	Louie et al.	
D495,490	S	9/2004	Garrett et al.	
D507,404	S	7/2005	Moon et al.	
D518,526	S *	4/2006	Benn	D19/90
D526,893	S	8/2006	Nixon	
D539,036	S *	3/2007	Potts et al.	D3/311
D542,033	S	5/2007	Kopenhaver et al.	
D569,105	S *	5/2008	Van Hoorn	D3/311
7,410,094	B2	8/2008	Bos	
7,438,198	B2	10/2008	Pickles	
7,611,020	B2	11/2009	Prest	
7,654,408	B2 *	2/2010	Bazany	220/533
D615,775	S *	5/2010	Fairbanks	D6/476
7,726,552	B2	6/2010	Chadima	
D627,562	S	11/2010	Osiecki et al.	
D633,296	S *	3/2011	Potts et al.	D3/305
D657,562	S	4/2012	McNamara	
D658,407	S	5/2012	Pung et al.	
D661,096	S *	6/2012	Dretzka	D3/310
2005/0241971	A1	11/2005	Zou et al.	
2005/0284906	A1 *	12/2005	Potts et al.	224/539
2008/0054059	A1	3/2008	Chadima	
2010/0314268	A1	12/2010	Goodman	

OTHER PUBLICATIONS

William Mitchell Scott, U.S. Appl. No. 29/419,508, filed Apr. 28, 2012, Carrying Tote.

William Mitchell Scott, U.S. Appl. No. 29/419,510, filed Apr. 28, 2012, Carrying Tote.

William Mitchell Scott, U.S. Appl. No. 13/441,434, filed Apr. 6, 2012, Container With Grips.

William Mitchell Scott, U.S. Appl. No. 29/391,489, filed May 9, 2011, Novel Box.

William Mitchell Scott, U.S. Appl. No. 29/391,490, filed May 10, 2011, Novel Box & Private Label.

William Mitchell Scott, U.S. Appl. No. 29/391,491, filed May 10, 2011, Novel Box With Angular Grips.

William Mitchell Scott, U.S. Appl. No. 29/391,492, filed May 10, 2011, Novel Box for Under Desk.

William Mitchell Scott, U.S. Appl. No. 29/419,400, filed Apr. 27, 2012, Box With Locking Ports.

William Mitchell Scott, U.S. Appl. No. 13/448,349, filed Apr. 16, 2012, Strengthening Insert for a Corrugated Box.

William Mitchell Scott, U.S. Appl. No. 29/419,603, filed Apr. 30, 2012, Box With Grips Through Lid.

* cited by examiner

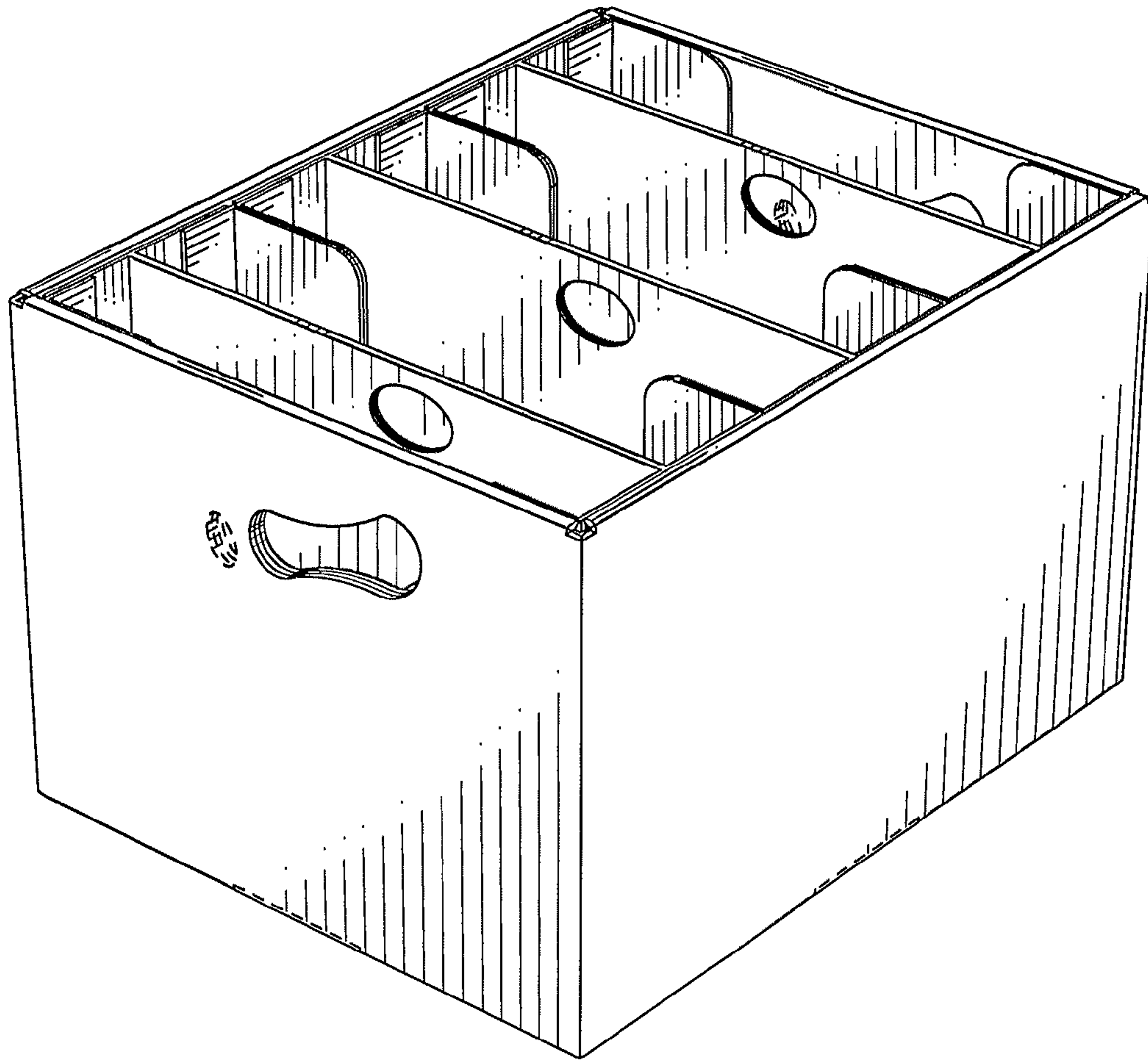


FIG. 1

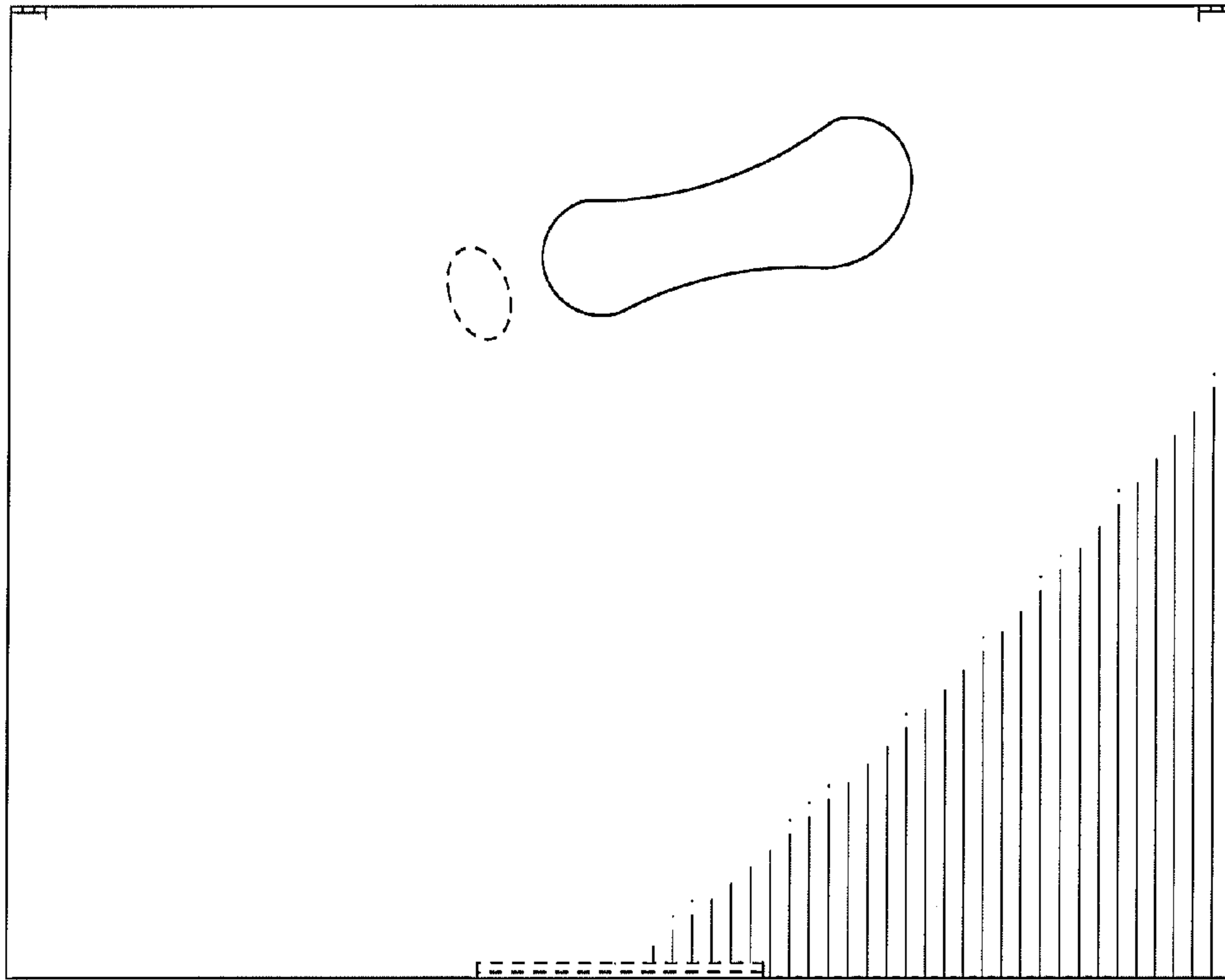


FIG. 2

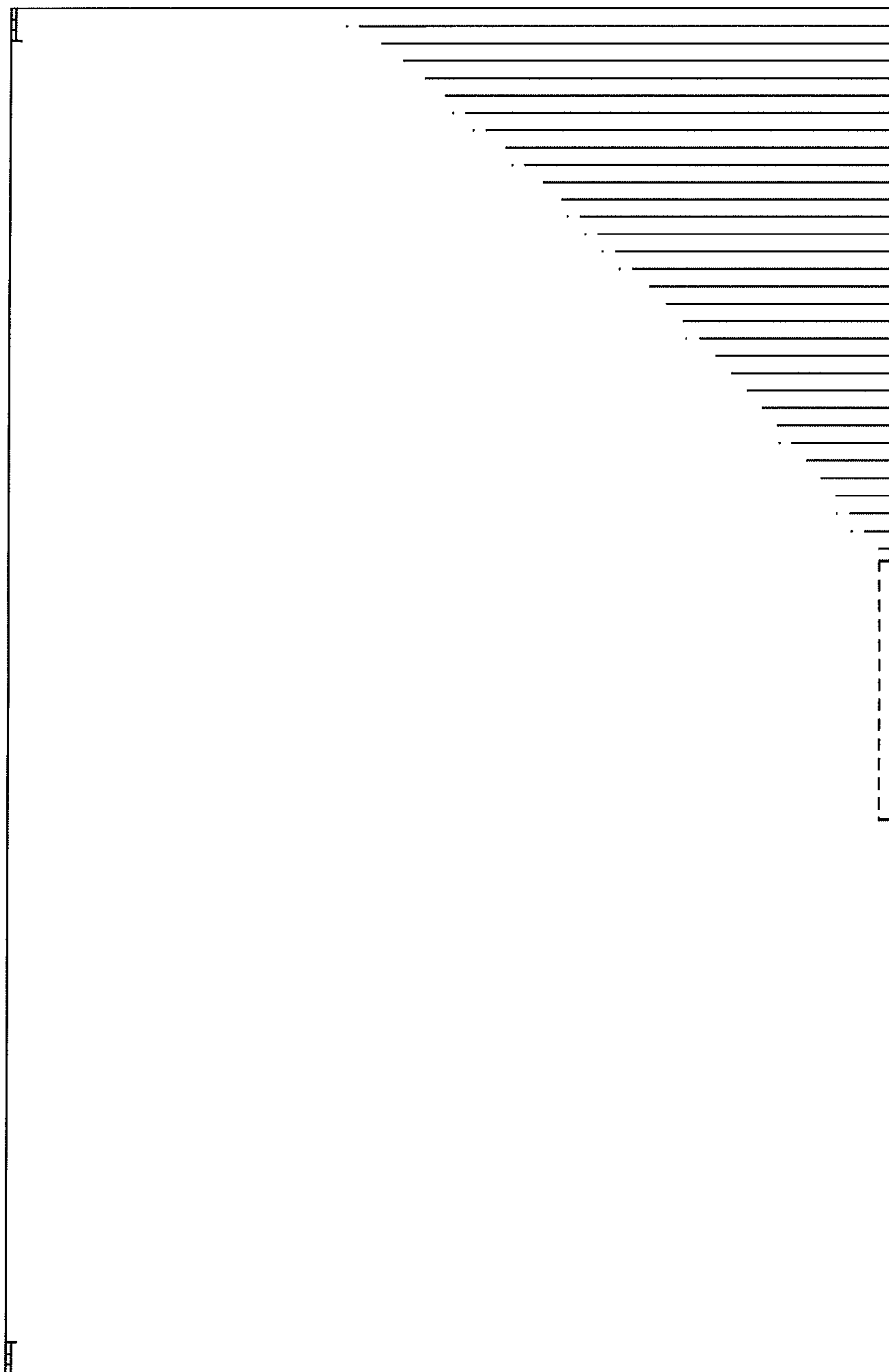


FIG. 3

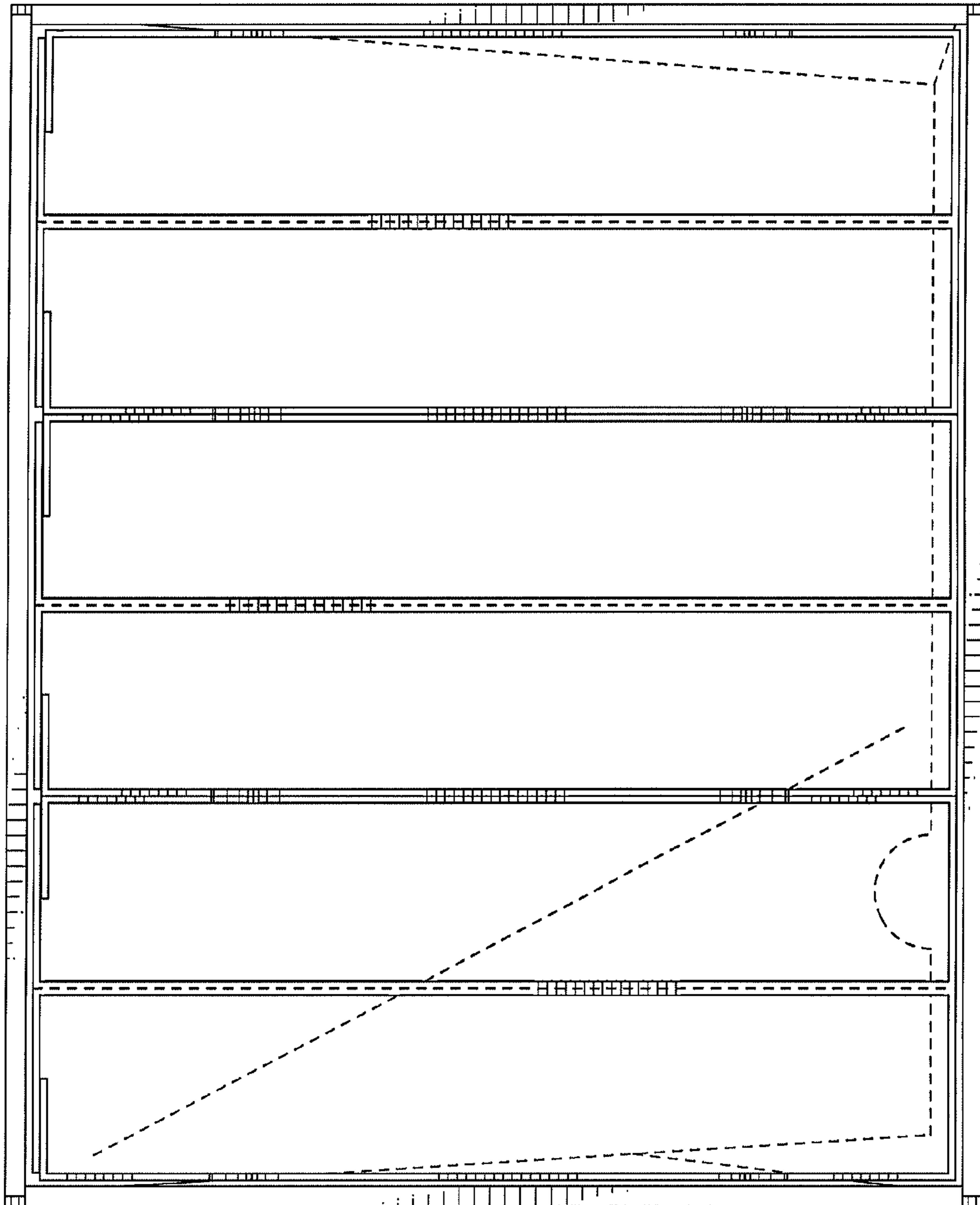


FIG. 4

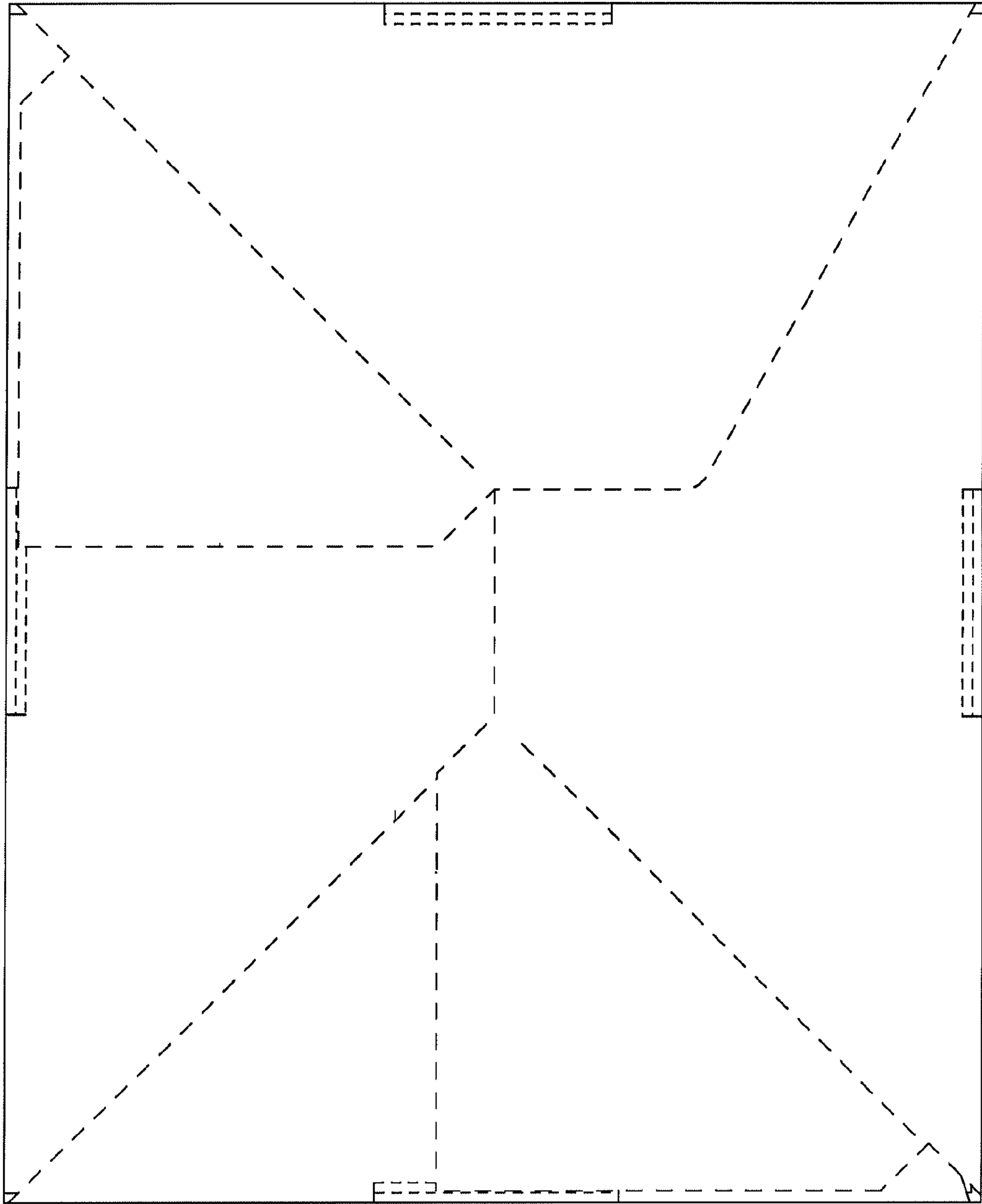


FIG. 5

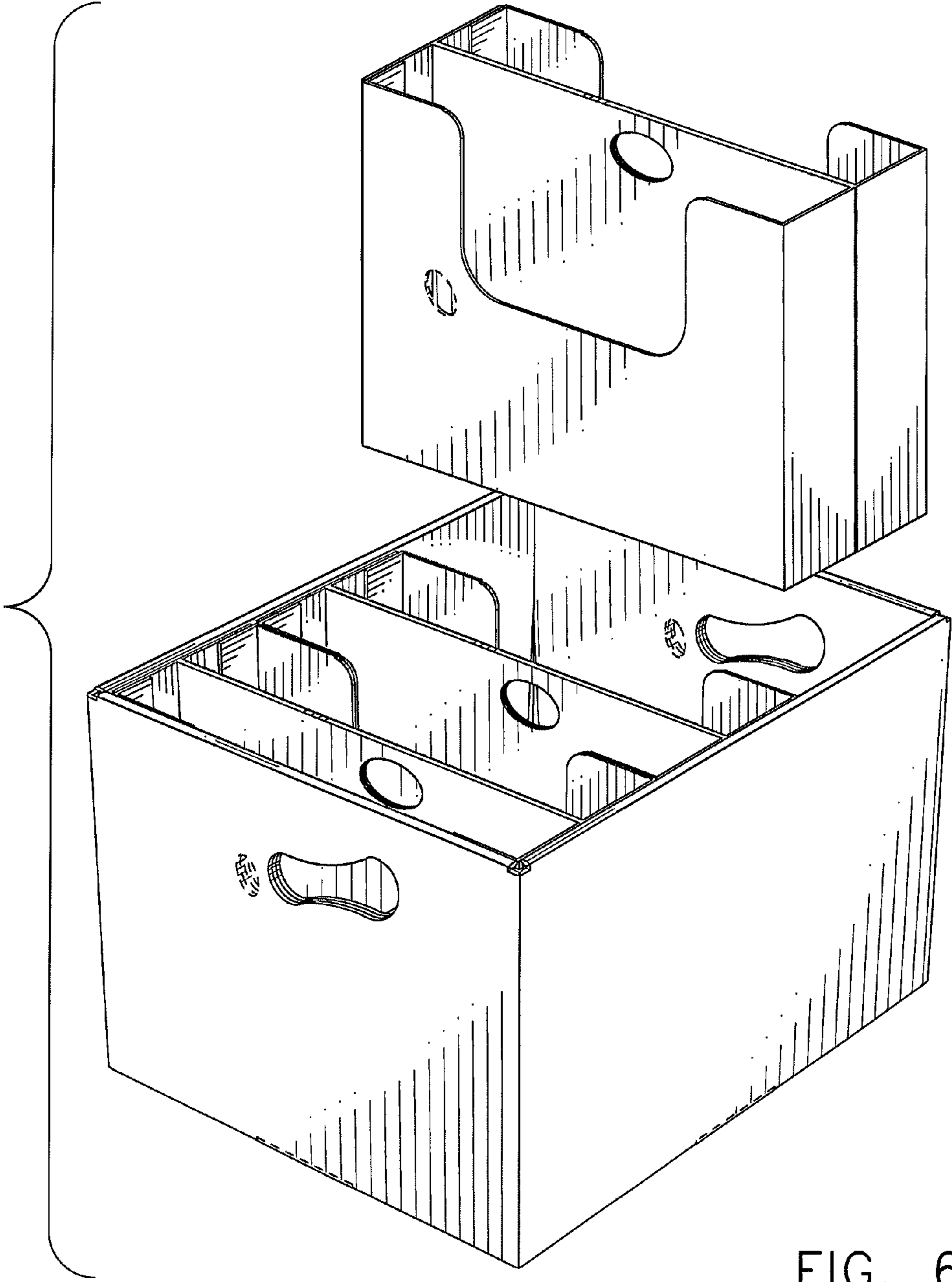


FIG. 6

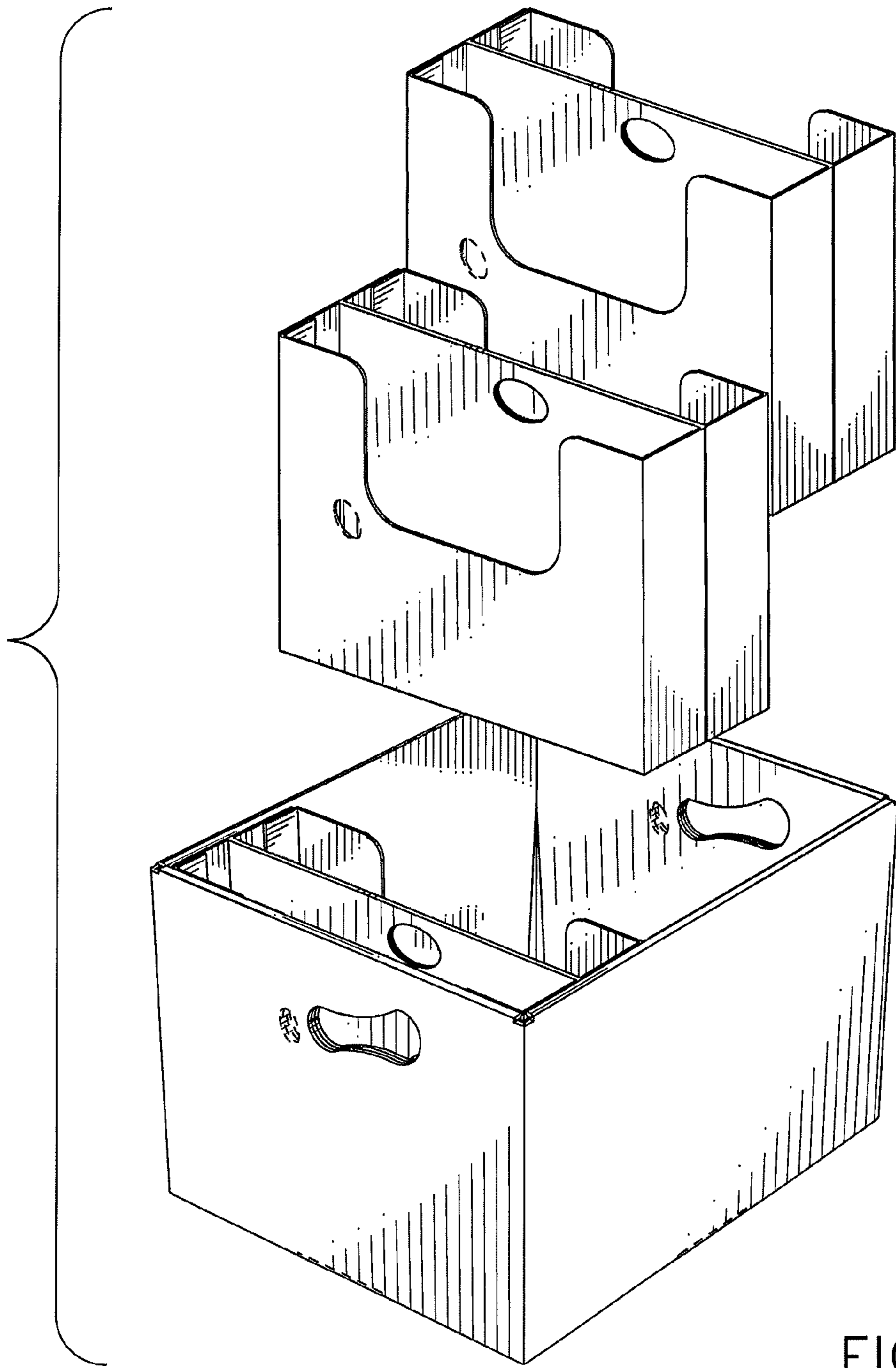


FIG. 7

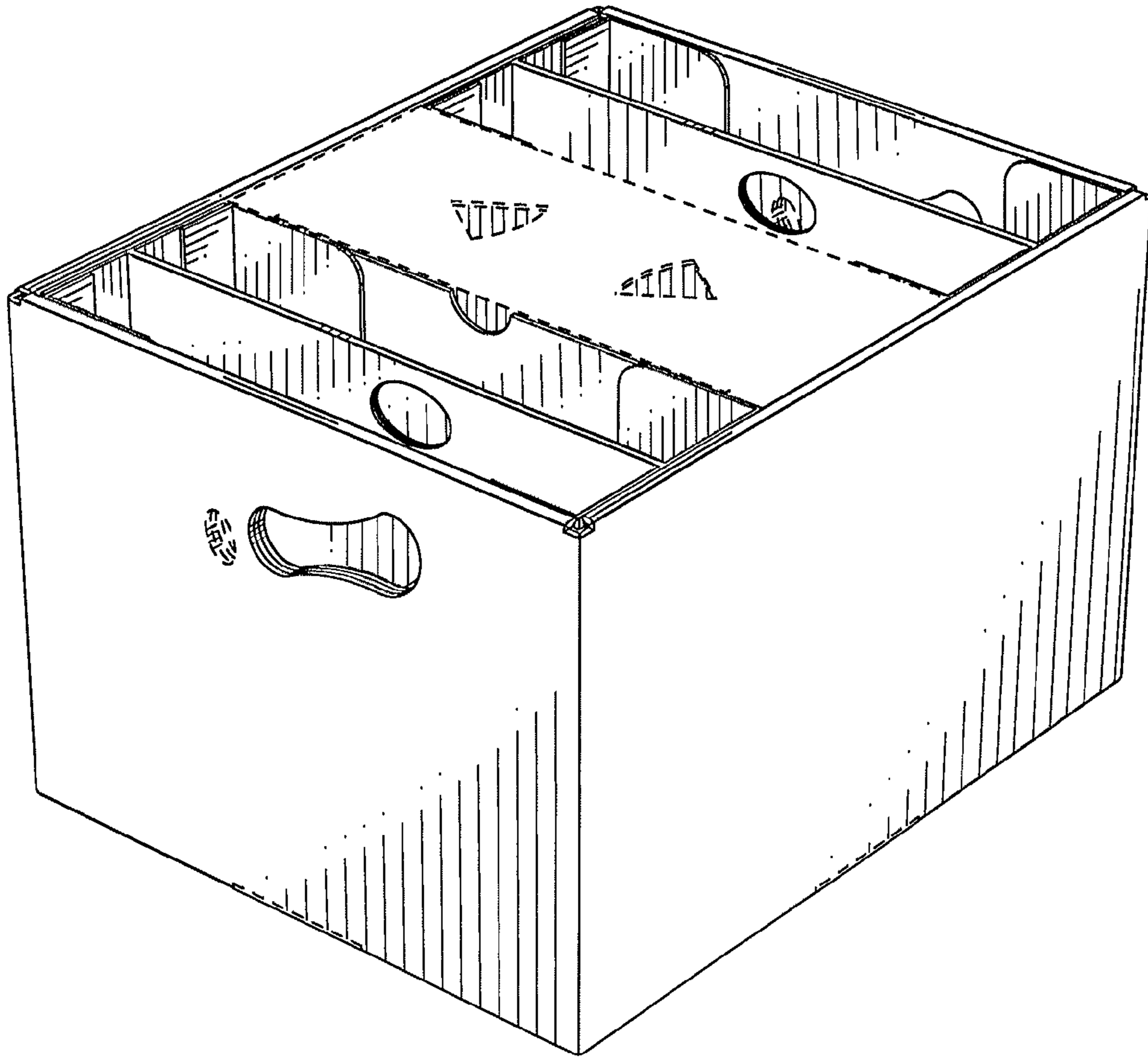


FIG. 8