



US00D681951S

(12) **United States Design Patent**
Phillips et al.

(10) **Patent No.:** **US D681,951 S**

(45) **Date of Patent:** **** May 14, 2013**

(54) **ELECTRONIC DEVICE CASE**

(75) Inventors: **Alison Phillips**, Toronto (CA); **Caitlin Curran-Blaney**, Toronto (CA); **Todd Andrew Wood**, Toronto (CA)

(73) Assignee: **Research In Motion Limited**, Waterloo, Ontario (CA)

(**) Term: **14 Years**

(21) Appl. No.: **29/411,466**

(22) Filed: **Jan. 20, 2012**

(51) **LOC (9) Cl.** **03-01**

(52) **U.S. Cl.**
USPC **D3/299**

(58) **Field of Classification Search** D3/290,
D3/299; 206/503-507, 509-510, 514-515,
206/518

See application file for complete search history.

(56) **References Cited**

U.S. PATENT DOCUMENTS

2,175,327	A	*	10/1939	Thornhill et al.	150/129
D338,557	S	*	8/1993	Papernik	D3/245
D380,295	S	*	7/1997	Morris	D3/243
D658,877	S	*	5/2012	Janus	D3/301

* cited by examiner

Primary Examiner — Holly Baynham

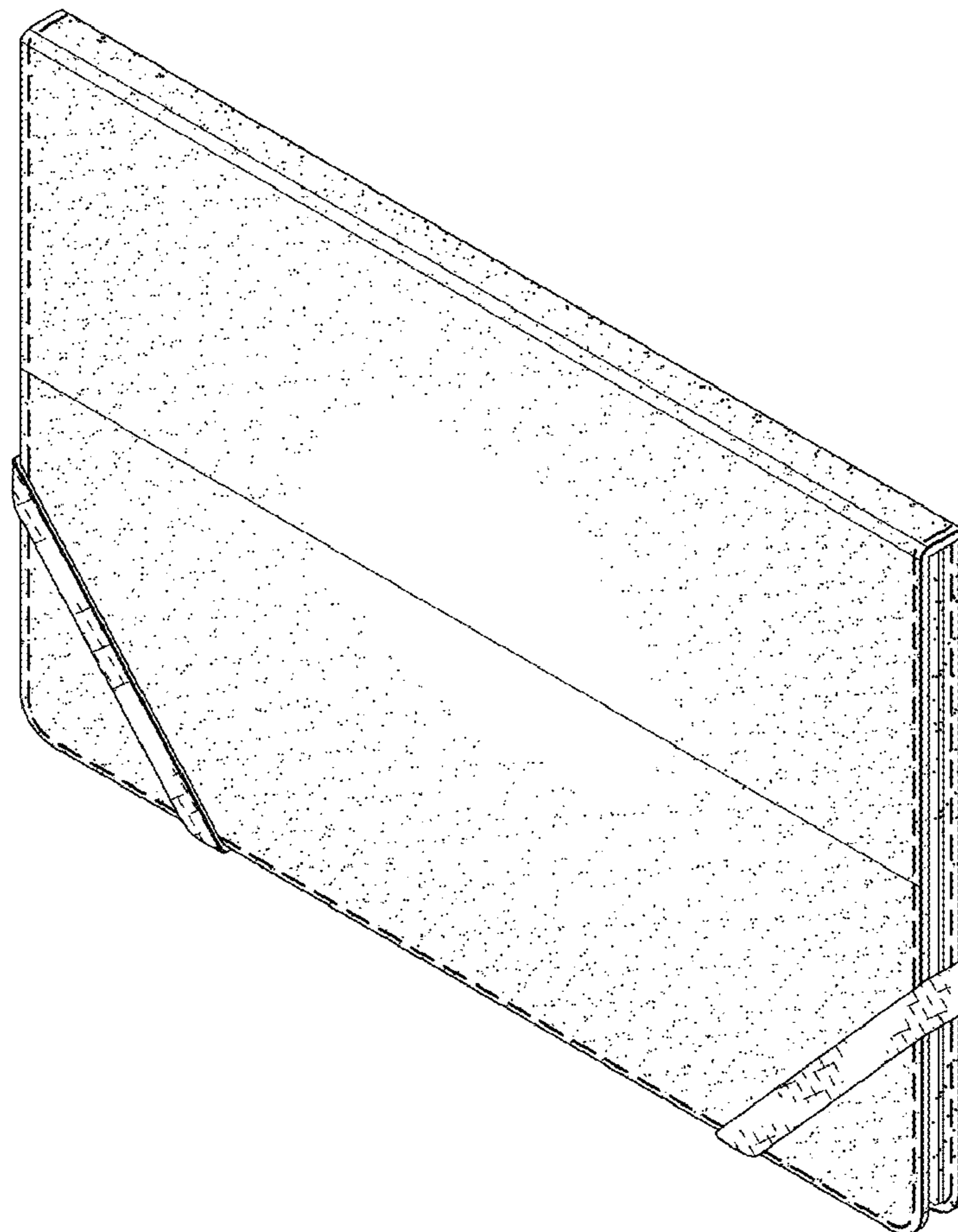
(57) **CLAIM**

We claim the ornamental design for an electronic device case, as shown and described.

DESCRIPTION

FIG. 1 is a front perspective view of an electronic device case; FIG. 2 is a front elevational view of the electronic device case; FIG. 3 is a back elevational view thereof; FIG. 4 is a left elevational view thereof; FIG. 5 is a right bottom elevational view thereof; FIG. 6 is a top plan view thereof; and, FIG. 7 is a bottom plan view thereof. The broken lines representing stitching are part of the claimed design.

1 Claim, 3 Drawing Sheets



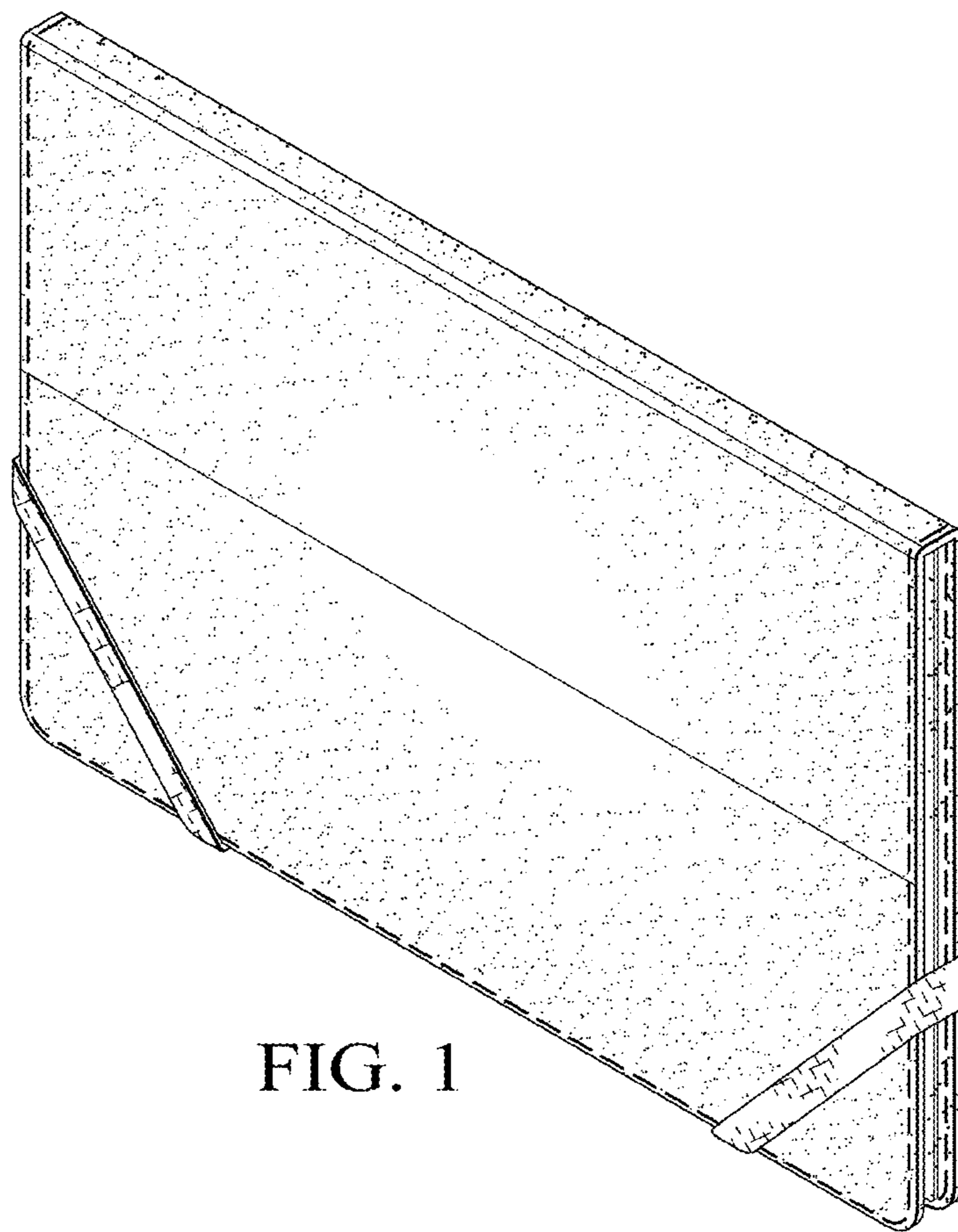


FIG. 1

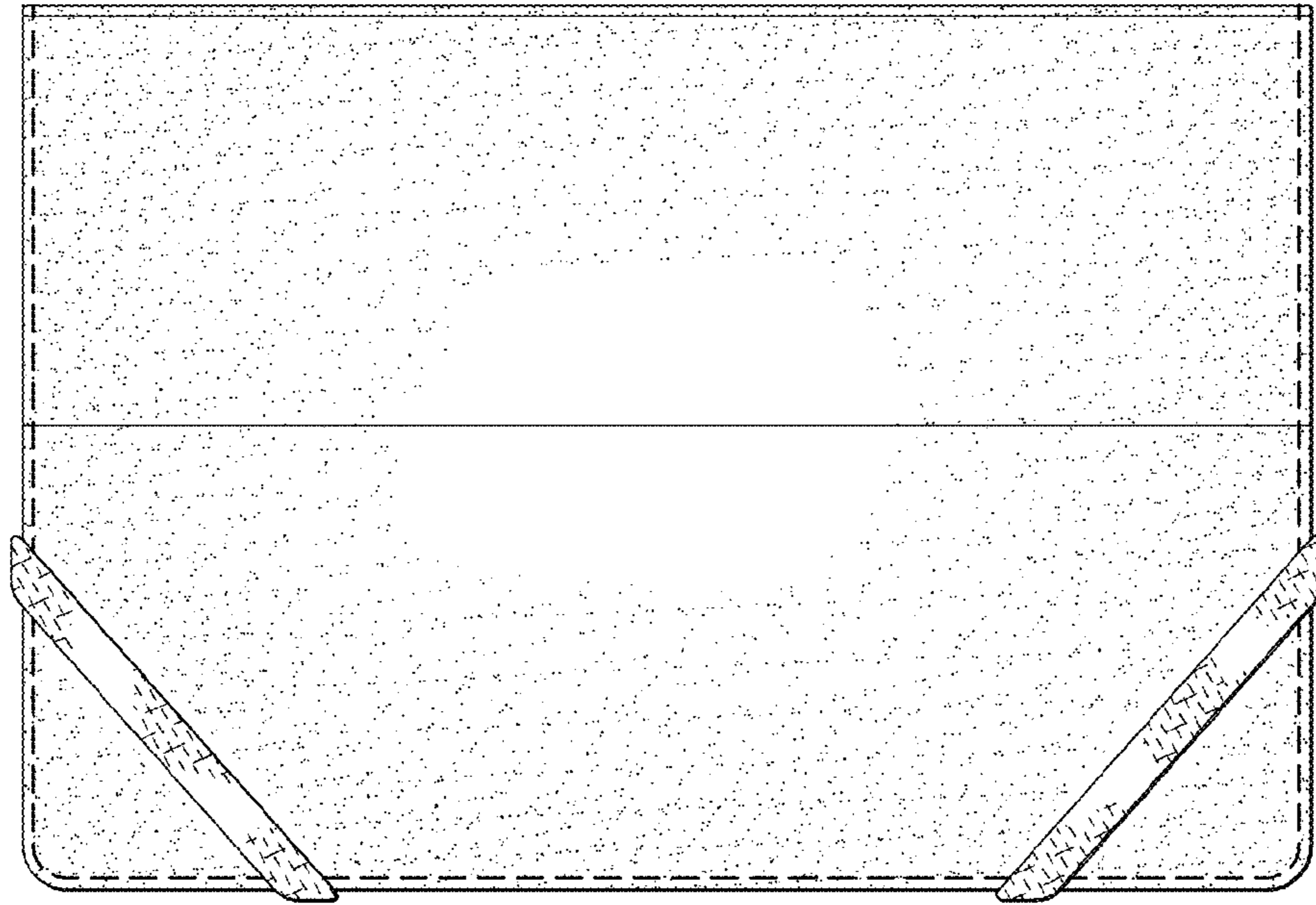


FIG. 2

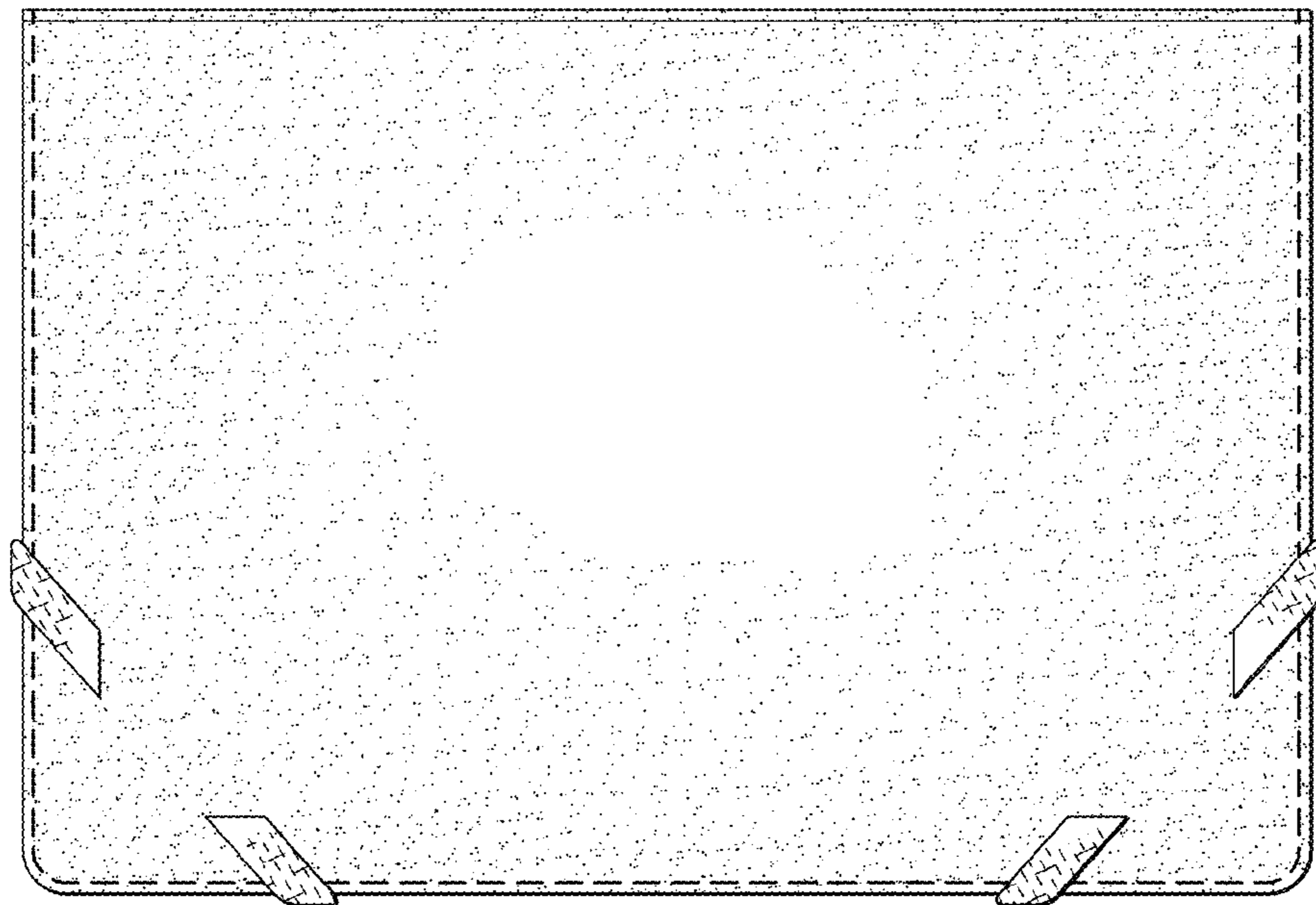


FIG. 3



FIG. 4

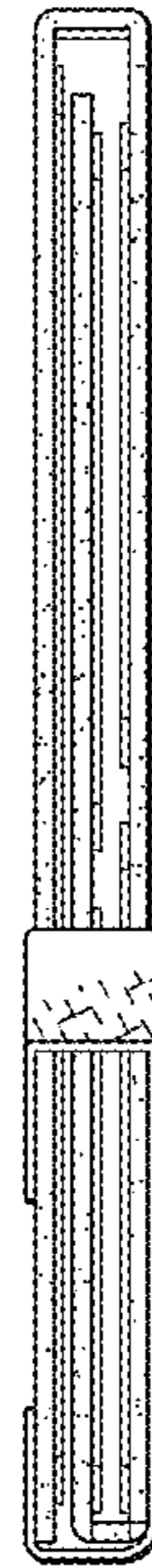


FIG. 5



FIG. 6

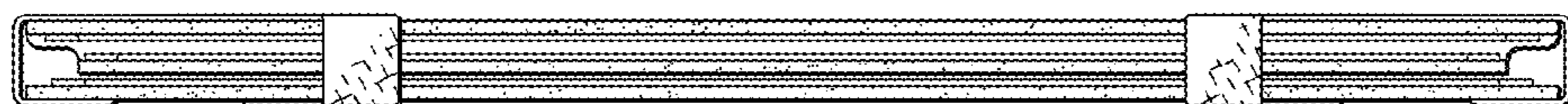


FIG. 7