



US00D681950S

(12) **United States Design Patent**  
**Deschenes et al.**

(10) **Patent No.:** **US D681,950 S**

(45) **Date of Patent:** **\*\* May 14, 2013**

(54) **LOCKOUT CABINET**

(75) Inventors: **Sylvain Deschenes**, Chicoutimi (CA);  
**Mario Saucier**, Chicoutimi (CA)

(73) Assignee: **6251374 Canada Inc.**, Chicoutimi (CA)

(\*\*) Term: **14 Years**

(21) Appl. No.: **29/404,699**

(22) Filed: **Oct. 25, 2011**

(51) **LOC (9) Cl.** ..... **03-01**

(52) **U.S. Cl.**  
USPC ..... **D3/294**

(58) **Field of Classification Search** ..... D3/293-295,  
D3/273, 302, 905, 276, 283, 201; 206/349,  
206/372; D7/629; D30/133; D9/420; 220/523,  
220/4.21, 4.22

See application file for complete search history.

(56) **References Cited**

**U.S. PATENT DOCUMENTS**

3,667,259	A	6/1972	Reque et al.	
4,006,324	A	2/1977	Leasher et al.	
5,270,803	A	12/1993	Fairhurst	
5,365,757	A	11/1994	Primeau	
5,772,007	A	6/1998	Frye	
D434,561	S *	12/2000	Vasudeva	D3/282
D468,531	S *	1/2003	Hsu	D3/282
D502,808	S *	3/2005	Hepworth et al.	D3/276
6,963,037	B1	11/2005	Bennett et al.	
RE38,905	E *	12/2005	Wei	206/373
D539,633	S *	4/2007	Van Handel	D8/333
7,360,380	B2	4/2008	Van Handel	
D617,098	S *	6/2010	Huang	D3/282
7,870,767	B2	1/2011	Brojanac et al.	
D645,338	S *	9/2011	Kapur et al.	D9/415
D645,663	S *	9/2011	Henley et al.	D3/294
D646,482	S *	10/2011	Deguglimo et al.	D3/276
D646,483	S *	10/2011	Deguglimo et al.	D3/276

D646,484	S *	10/2011	Deguglimo et al.	D3/281
D647,303	S *	10/2011	Mish et al.	D3/294
D648,534	S *	11/2011	Hsu	D3/293
D655,503	S *	3/2012	Deguglimo et al.	D3/293
2002/0050155	A1	5/2002	Babbitt, III	
2004/0226610	A1	11/2004	McEnerney	
2005/0199628	A1	9/2005	Van Handel et al.	
2006/0151306	A1	7/2006	Lau et al.	
2006/0283215	A1	12/2006	Manthe et al.	
2007/0214695	A1	9/2007	Frank et al.	
2007/0256844	A1	11/2007	Blasing et al.	
2008/0210577	A1	9/2008	Van Handel et al.	

**FOREIGN PATENT DOCUMENTS**

EP 0831199 A2 3/1998

\* cited by examiner

*Primary Examiner* — Sheryl Lane

(74) *Attorney, Agent, or Firm* — Alexandre Daoust

(57) **CLAIM**

The ornamental design for a lockout cabinet, as shown and described.

**DESCRIPTION**

FIG. 1 is a perspective view of a lockout cabinet in a closed state, showing our new design;

FIG. 2 is a front elevation view thereof;

FIG. 3 is a right side elevation view thereof;

FIG. 4 is a left side elevation view thereof;

FIG. 5 is a rear elevation view thereof;

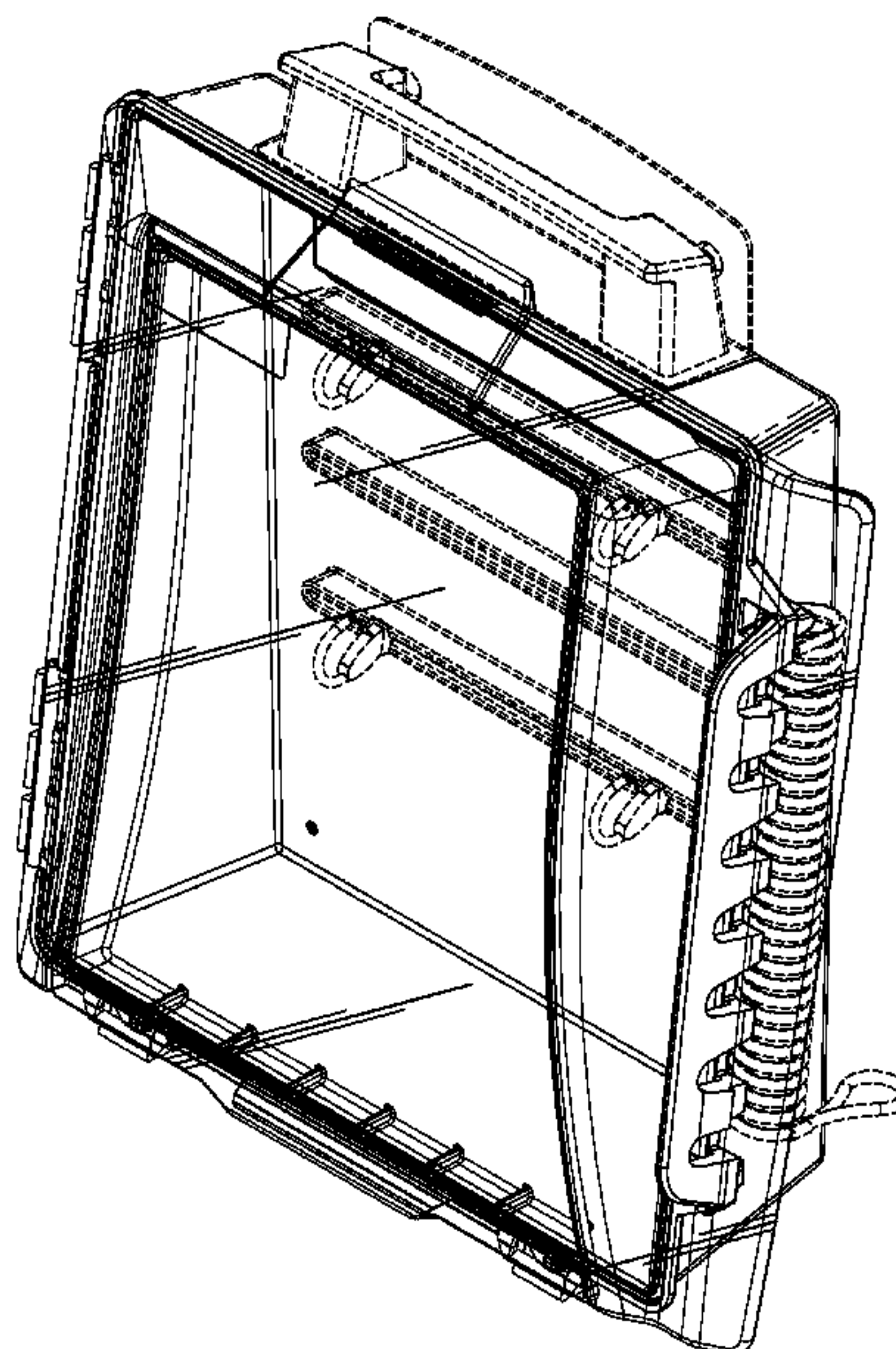
FIG. 6 is a bottom view thereof;

FIG. 7 is a top plan view thereof; and,

FIG. 8 is another perspective view, showing the lockout cabinet in an open state.

The lightweight broken line portions are included to show environmental unclaimed subject matter only and form no part of the claimed design.

**1 Claim, 6 Drawing Sheets**



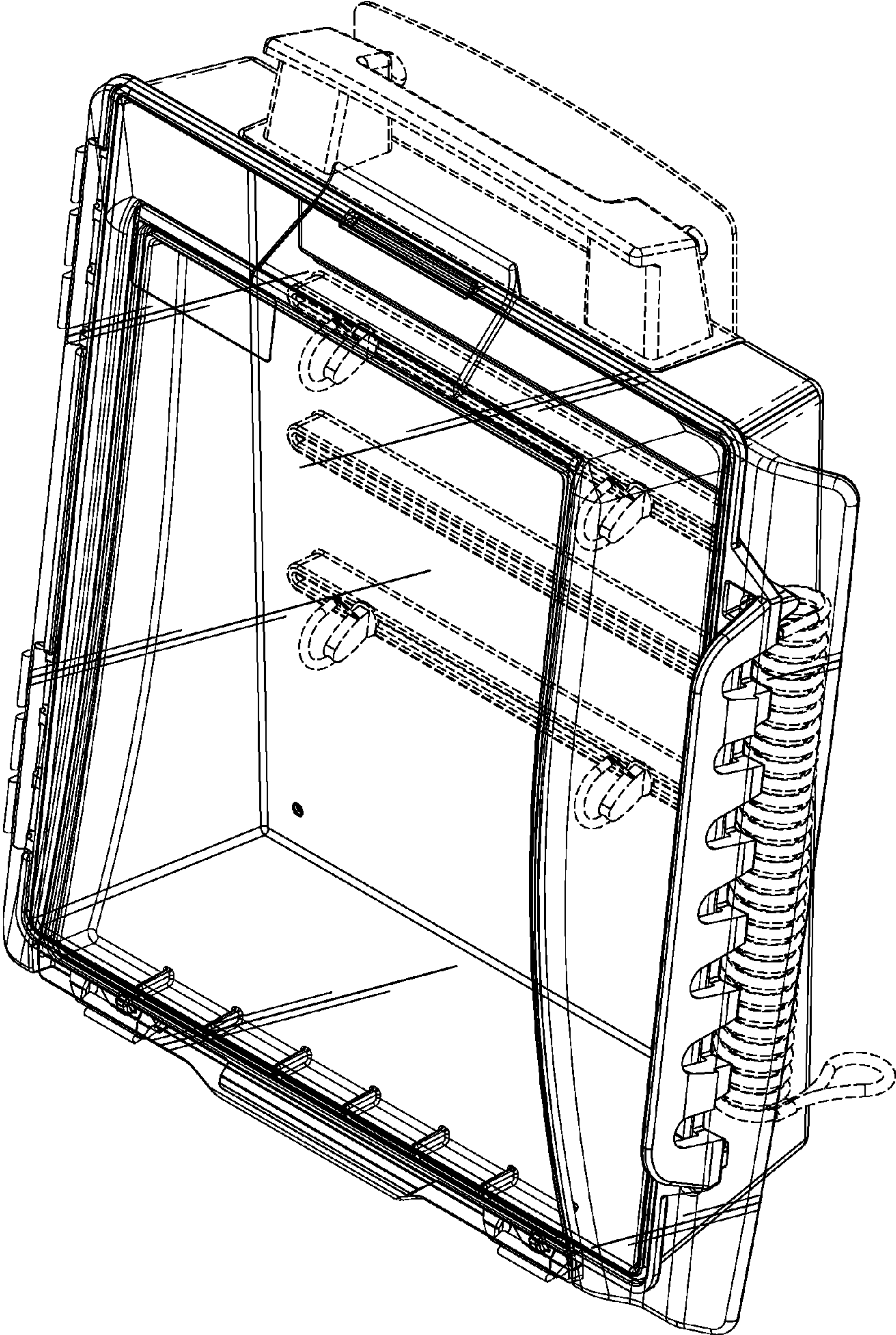


FIG-1



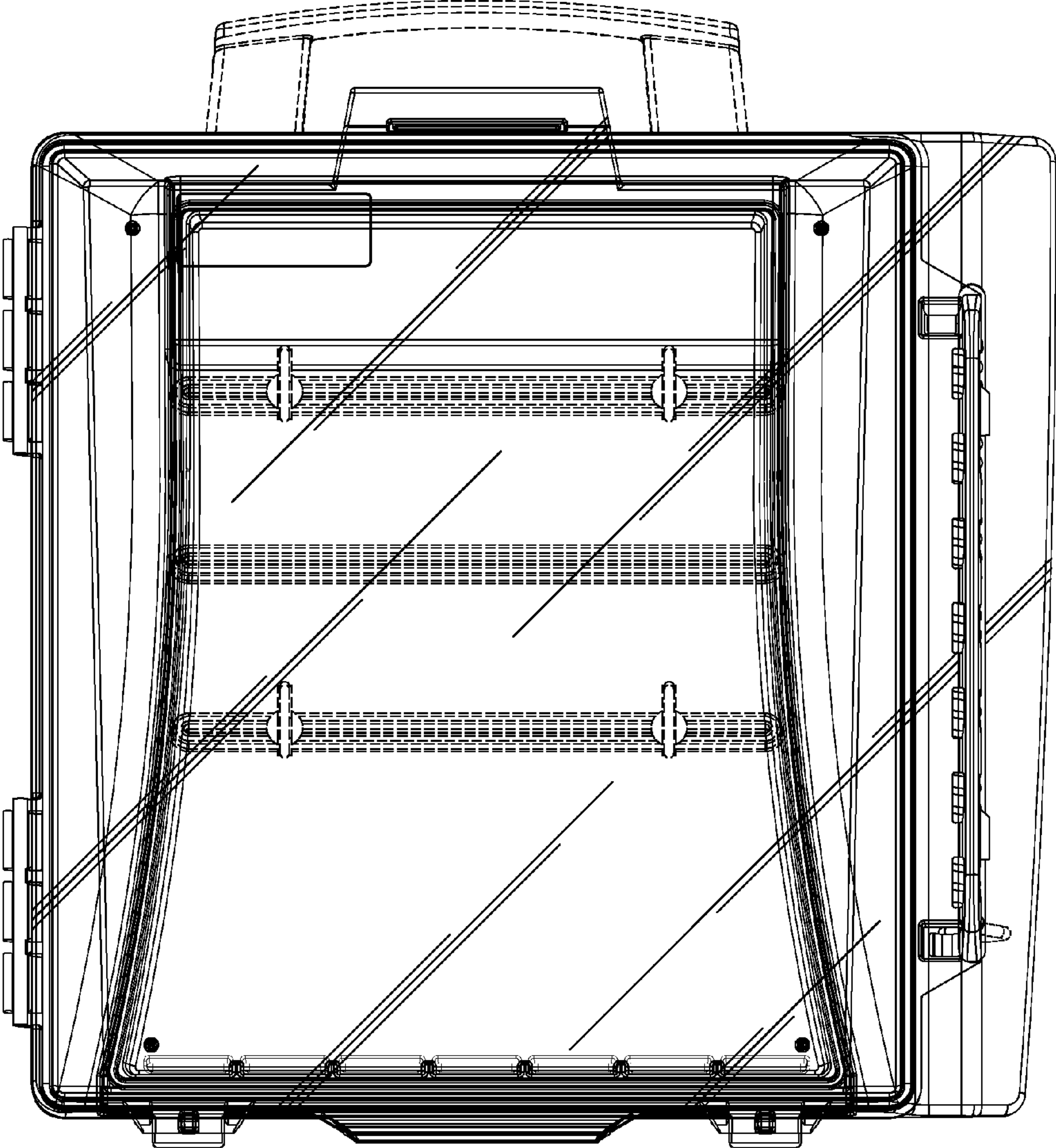


Fig. 2

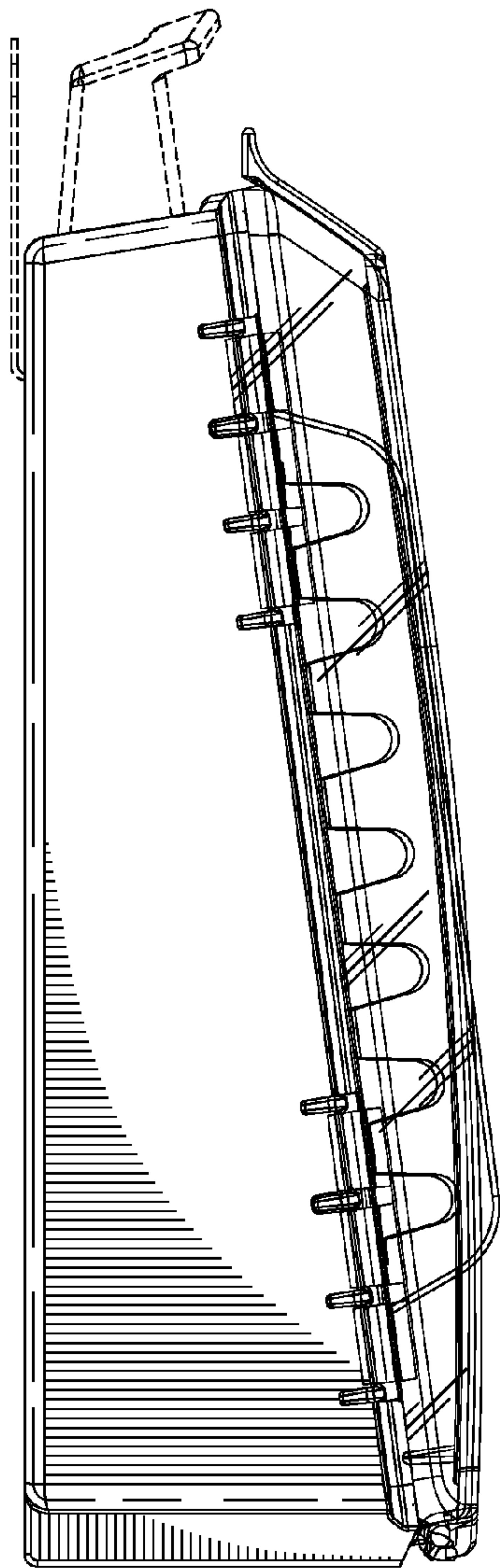


Fig-3

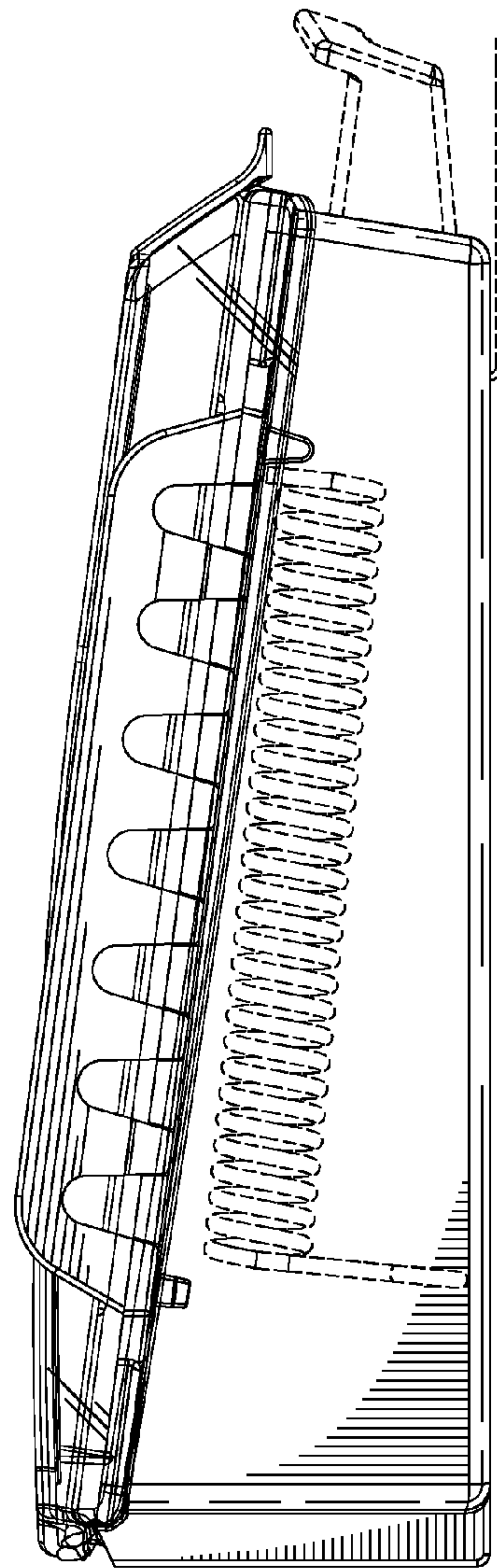


Fig-4

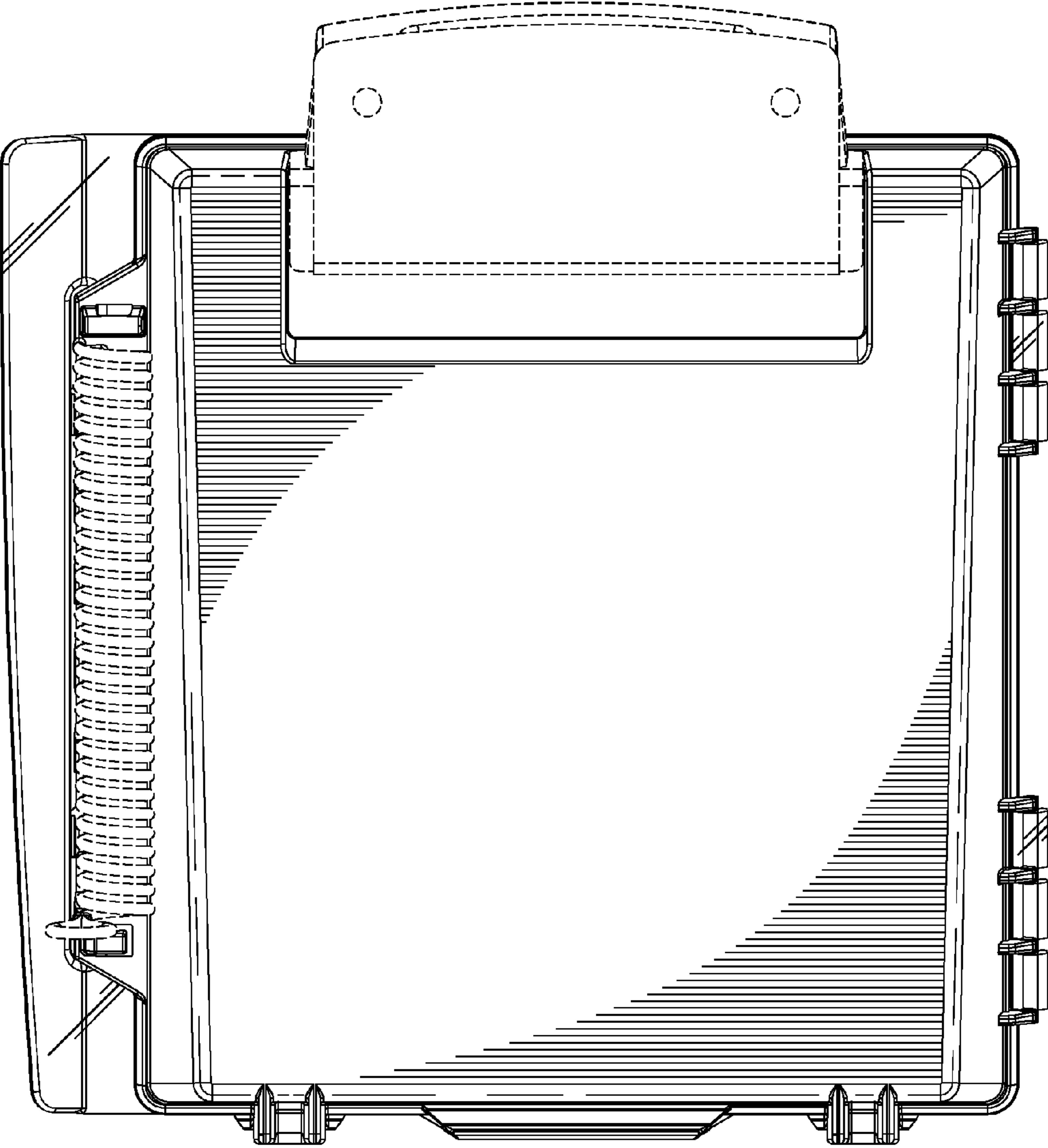


Fig-5

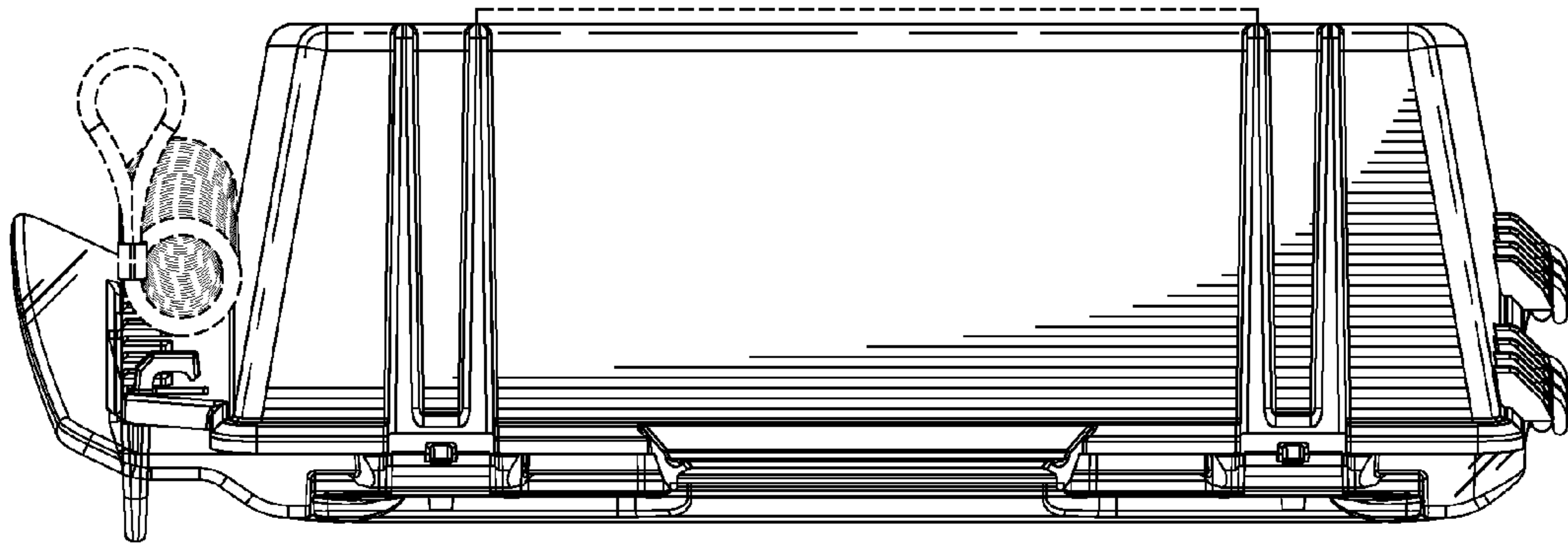


FIG. 6

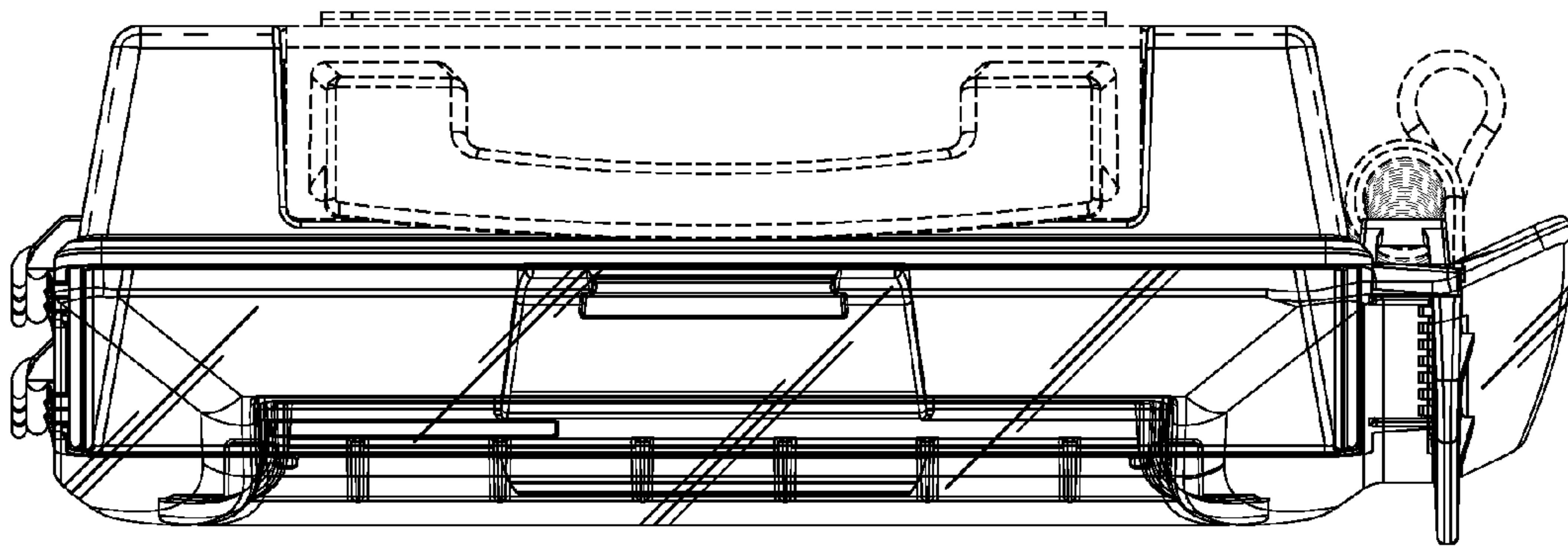


FIG. 7



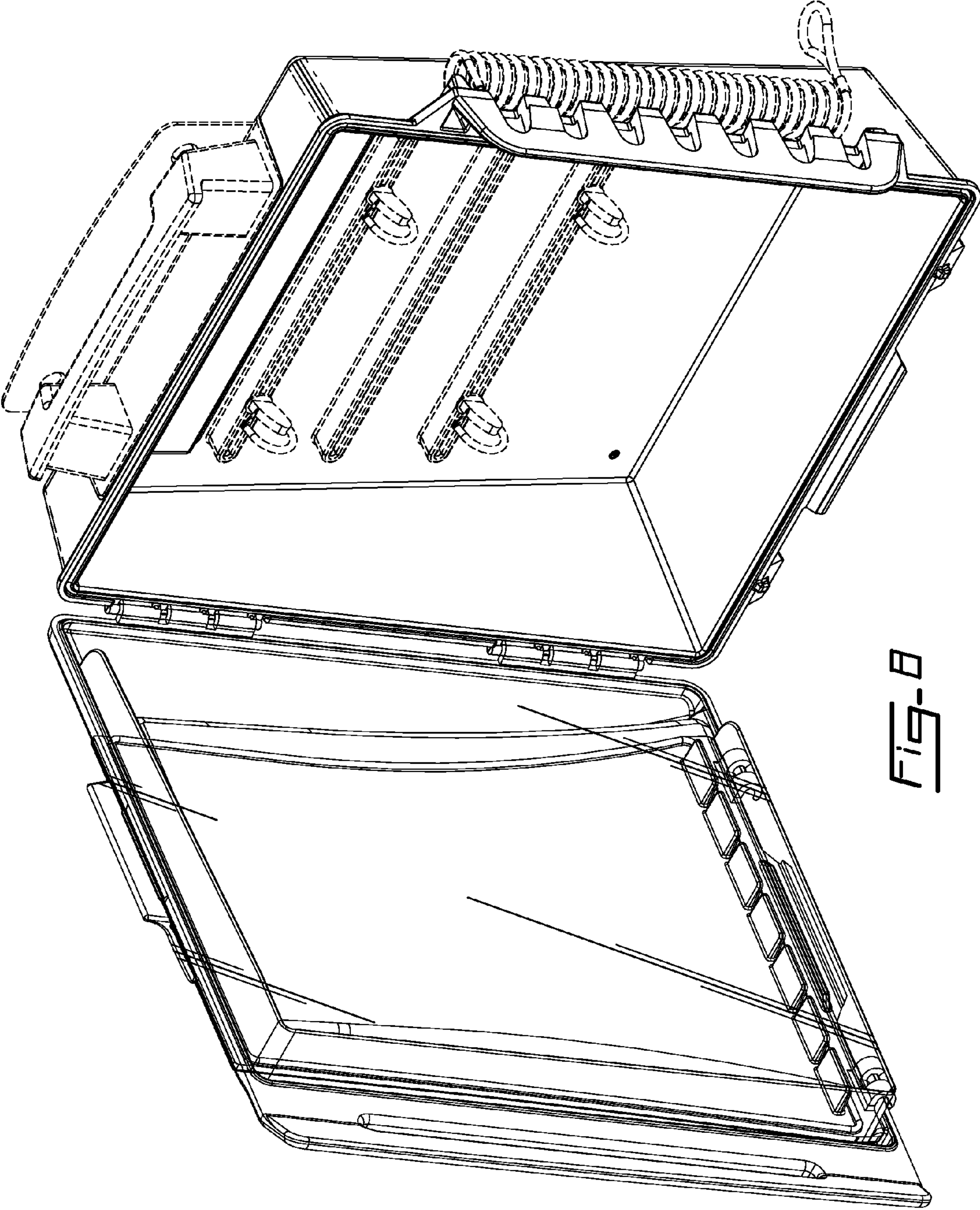


FIG. 8