



US00D681947S

(12) **United States Design Patent**
Weinshanker

(10) **Patent No.:** **US D681,947 S**

(45) **Date of Patent:** **** May 14, 2013**

(54) **TOTEBAG WITH PHOTOGRAPHIC IMAGE**

(76) Inventor: **Joel Weinshanker**, Hillside, NJ (US)

(**) Term: **14 Years**

(21) Appl. No.: **29/420,228**

(22) Filed: **May 7, 2012**

5,279,880 A	1/1994	Cohart	
5,621,914 A	4/1997	Ramone et al.	
5,653,166 A	8/1997	Mohammed et al.	
5,673,433 A	10/1997	Rothrum	
D392,459 S *	3/1998	Jones	D3/246
5,913,407 A	6/1999	Keyes	
5,943,698 A	8/1999	Blanks	
5,953,757 A	9/1999	Blanks	
5,960,476 A	10/1999	Danzy	
6,023,790 A	2/2000	Schwartz	
6,232,041 B1	5/2001	Roberts et al.	

(Continued)

Related U.S. Application Data

(62) Division of application No. 29/405,404, filed on Nov. 2, 2011, now Pat. No. Des. 661,053, which is a division of application No. 29/361,686, filed on May 13, 2010, now Pat. No. Des. 649,744.

(51) **LOC (9) Cl.** **03-01**

(52) **U.S. Cl.**
USPC **D3/232**

(58) **Field of Classification Search** D3/233,
D3/246; 150/100, 103-110, 113-114, 117-119
See application file for complete search history.

(56) **References Cited**

U.S. PATENT DOCUMENTS

1,467,680 A	9/1923	Oda	
3,055,133 A	9/1962	Anderson	
3,658,065 A	4/1972	Hirsch	
3,707,053 A	12/1972	Itano	
3,897,645 A	8/1975	Scheyer	
4,202,053 A	5/1980	Bell	
4,216,286 A	8/1980	Greene et al.	
4,499,896 A	2/1985	Heinecke	
4,710,981 A	12/1987	Sanchez	
4,805,241 A	2/1989	Faccini	
4,838,965 A	6/1989	Bussard	
4,899,395 A	2/1990	Spector	
4,924,613 A	5/1990	Levin	
5,074,067 A	12/1991	Cohart	
D336,362 S *	6/1993	McCord	D3/303

FOREIGN PATENT DOCUMENTS

DE 4405518 A1 9/1995

OTHER PUBLICATIONS

Printout from website http://www.zazzle.com/polaroid_snaps_tshirt-235638070443807169, website copyright 2000-2010, printed on Nov. 2, 2010 (2 pages).

(Continued)

Primary Examiner — Holly Baynham

(74) *Attorney, Agent, or Firm* — McCarter & English, LLP

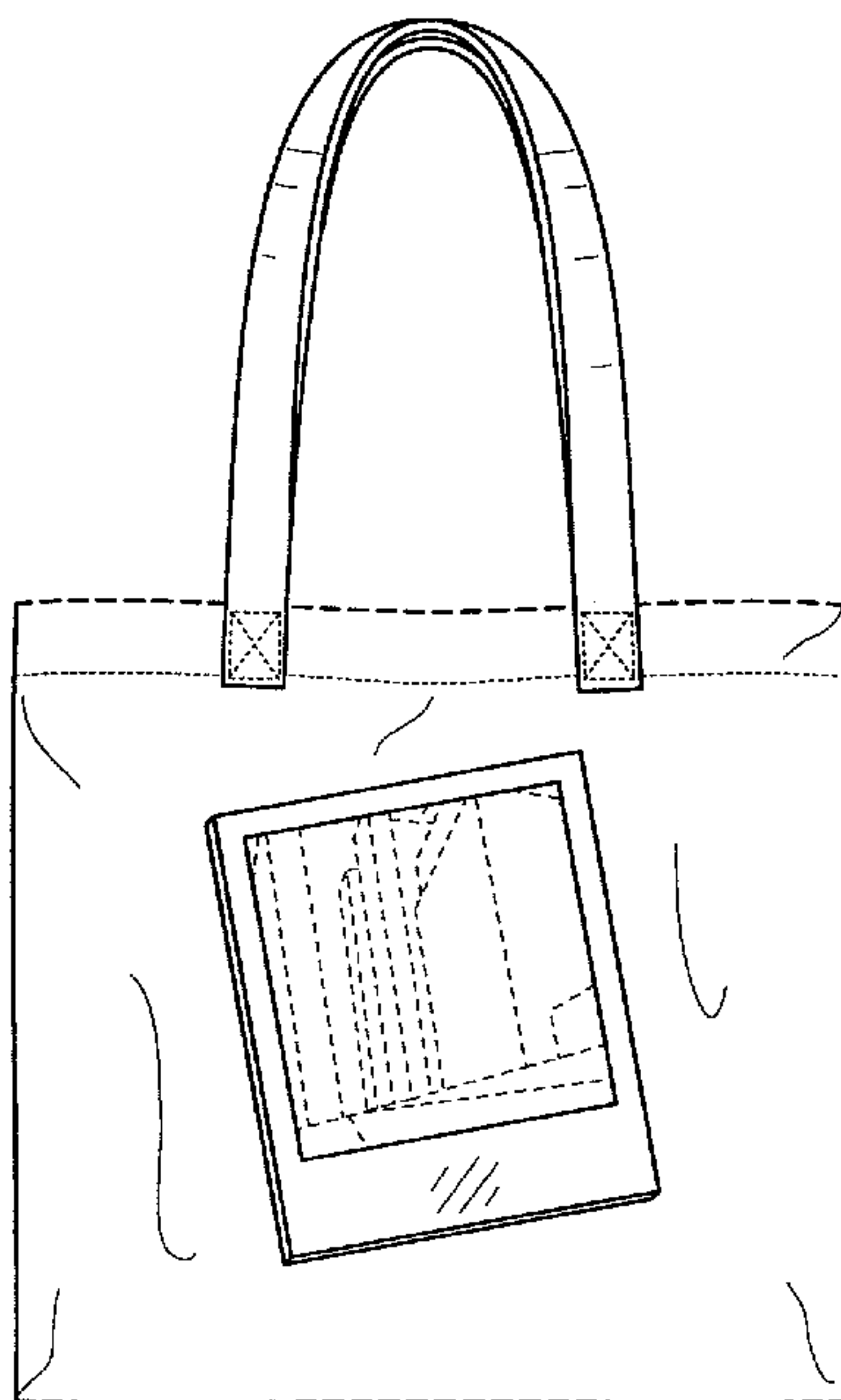
(57) **CLAIM**

The ornamental design for a totebag with photographic image, as shown and described.

DESCRIPTION

FIG. 1 is a front view of a totebag with photographic image showing my new design;
FIG. 2 is a left side view thereof; and,
FIG. 3 is a right side view thereof.
The broken line showing of pictures top and bottom portions of the bag and stitching are for the purposes of illustrating environment and forms no part of the claimed design.

1 Claim, 1 Drawing Sheet



US D681,947 S

Page 2

U.S. PATENT DOCUMENTS

D456,116	S	4/2002	Cunningham	
6,421,832	B1	7/2002	Ondrejko et al.	
D468,096	S *	1/2003	Staples	D3/233
D479,909	S *	9/2003	Staples	D3/233
6,625,914	B1	9/2003	Sud	
6,729,058	B2	5/2004	Ferguson	
D508,535	S	8/2005	Kosek	
D516,306	S *	3/2006	Koenig et al.	D3/233
D545,028	S	6/2007	Myrick	
D573,777	S	7/2008	Rogers	
D580,628	S	11/2008	Morris	
D587,010	S *	2/2009	Deck	D3/246
D597,258	S	7/2009	Szeles	
D600,879	S	9/2009	Accardi	
D603,585	S	11/2009	Capriola	
7,627,908	B1	12/2009	Pinckney, II	
D624,728	S	10/2010	Cooper	
D649,744	S	12/2011	Weinshanker	
D661,053	S	6/2012	Weinshanker	
2006/0253954	A1	11/2006	Music	
2007/0180596	A1	8/2007	Shelton	
2010/0005694	A1	1/2010	Forte et al.	
2011/0099682	A1	5/2011	Earley	
2011/0277207	A1	11/2011	Weinshanker	

OTHER PUBLICATIONS

Printout from website http://www.zazzle.com/beach_party_t_shirt-235483278972230680, website copyright 2000-2010, printed on Nov. 15, 2010 (3 pages).

Printout from website http://www.zazzle.com/surf_the_dream_polaroid_images_tshirt-235190528460849145, website copyright 2000-2010, printed on Nov. 15, 2010 (3 pages).

Ollypop. http://www.ollypop.com/MoloS12/Molo_Roddy_Polaroid.jpg. Spring/Summer 2012. "Molo Boys. All over print car themed "Polaroid" print T-Shirt with orange trim" (1 page).

Macys. <http://www1.macys.com/shop/product/epic-threads-kids-t-shirt-boys-polaroid-swamp-tee?ID=690664>. Date Unknown: Viewed Jun. 2012. "Epic Threads Kids T-Shirt, Boys Polaroid Swamp Tee" (1 page).

Ark. http://www.arkclothing.com/Cloak_and_Dagger_Black_Polaroid_Mix_T_Shirt6.html. Date Unknown: Viewed Jun. 2012. "Cloak & Dagger Black Polaroid Mix T Shirt" (1 page).

Polaroid Shirt, up loaded Jul. 2, 2009, <http://www.flickr.com/photos/freeformpost/3680398743/> (1 page).

Polaroid Tee, up loaded Nov. 7, 2008, <http://www.flickr.com/photos/derekb/3009680133/> (1 page).

Polaroid T-shirt & Shirts, Souvenirs of Brittany by PBworks <http://web.archive.org/web/20090114063537/http://www.zazzle.com/polaroid+tshirts> (11 pages).

Office Action mailed Oct. 3, 2012 from U.S. Appl. No. 12/779,646, filed May 13, 2010 (25 pages).

* cited by examiner

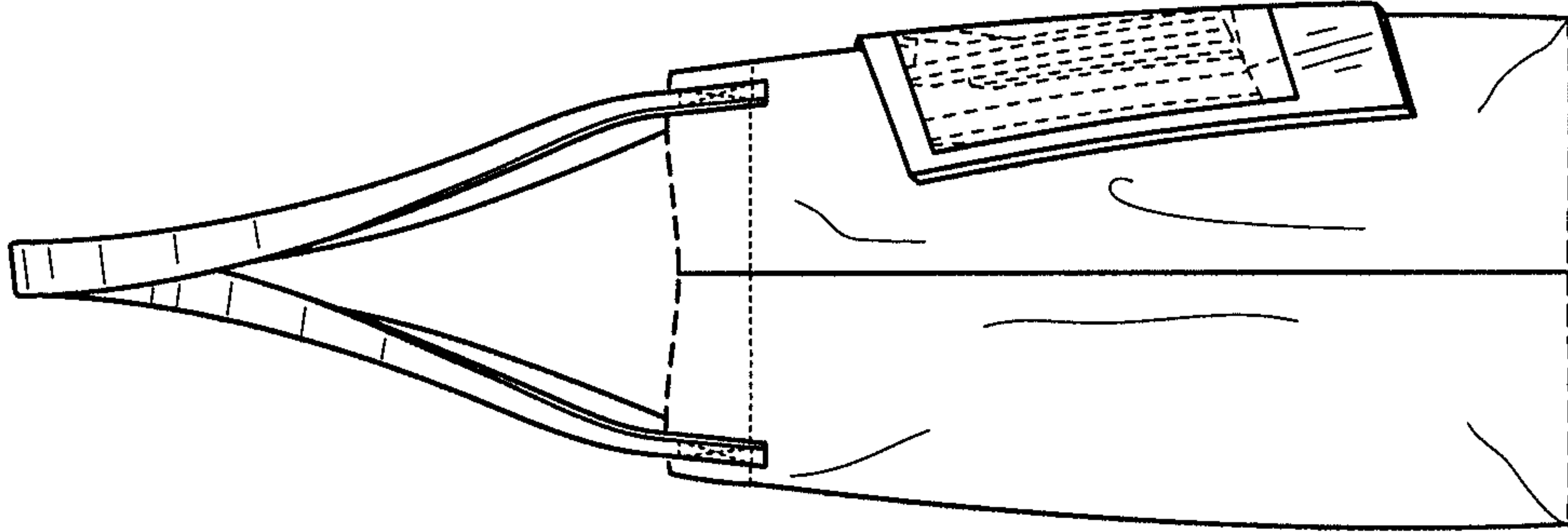


FIG. 1

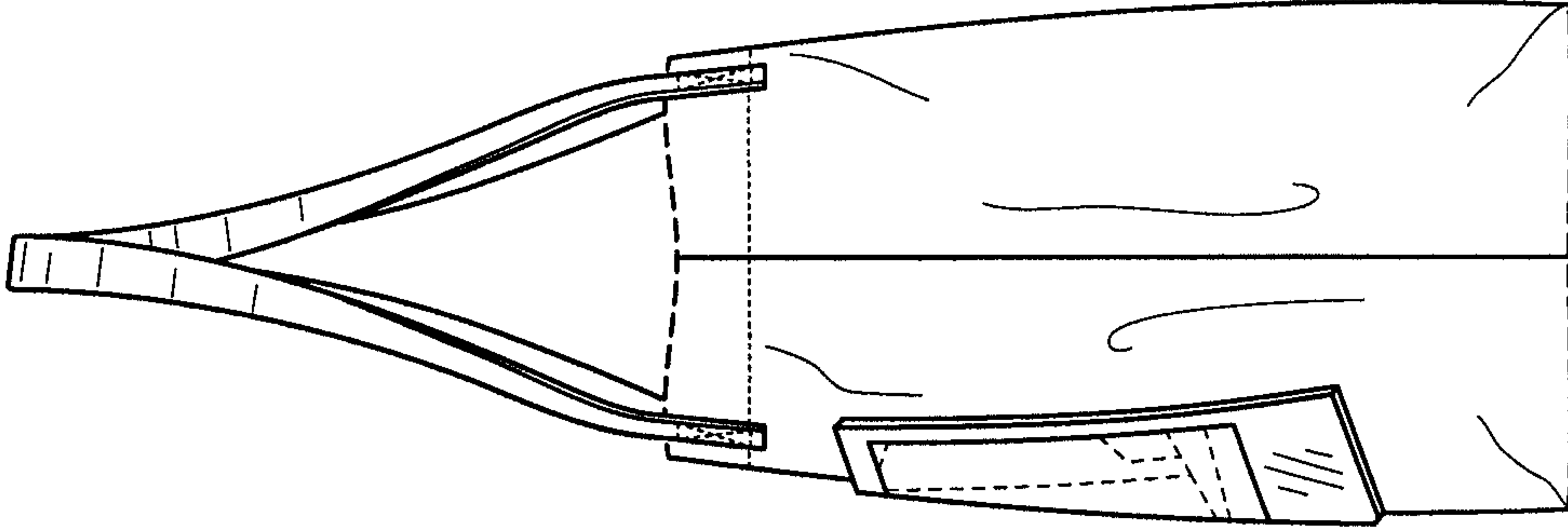


FIG. 2

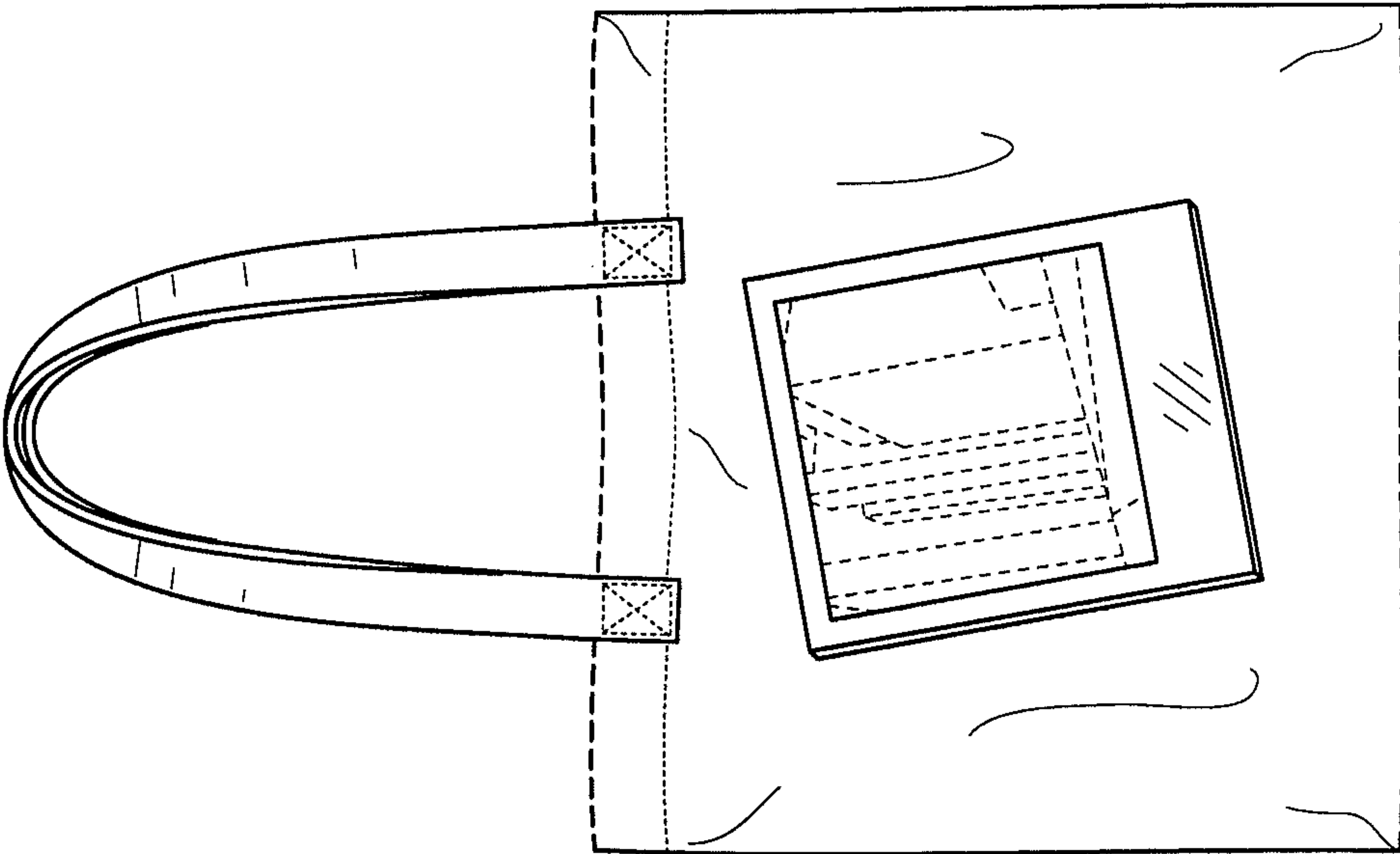


FIG. 3