



US00D681943S

(12) **United States Design Patent**
Beard et al.

(10) **Patent No.:** **US D681,943 S**

(45) **Date of Patent:** **** May 14, 2013**

- (54) **HOLSTER FOR A HANDGUN**
 - (75) Inventors: **Nathan Beard**, Lexington, NC (US);
Nathan B. Johnson, Lexington, NC (US)
 - (73) Assignee: **N82 Tactical, Inc.**, Lexington, NC (US)
 - (**) Term: **14 Years**
 - (21) Appl. No.: **29/424,570**
 - (22) Filed: **Jun. 13, 2012**
 - (51) **LOC (9) Cl.** **03-01**
 - (52) **U.S. Cl.**
USPC **D3/222**
 - (58) **Field of Classification Search** D3/222–223,
D3/215, 218–219; 224/191–193, 198, 238,
224/240, 243, 911–912, 914, 901.4, 197,
224/673
- See application file for complete search history.

5,570,827 A	11/1996	Wiesner	224/587
D392,458 S *	3/1998	Batts	D3/222
6,089,432 A	7/2000	Gage et al.	224/587
6,092,703 A	7/2000	Johnson	224/198
6,264,079 B1	7/2001	Skaggs	224/192
6,398,089 B1	6/2002	Har-Shen	224/192
6,685,066 B2	2/2004	Cragg	224/238
6,814,270 B2	11/2004	Mason	224/587
7,314,152 B1	1/2008	Garrett	224/192
D589,251 S *	3/2009	Har Shen	D3/222
D603,159 S *	11/2009	Zusman	D3/222
D620,705 S	8/2010	Beard et al.	D3/222
2010/0181353 A1	7/2010	Craighead	224/193
2010/0270349 A1	10/2010	Craighead	224/587

* cited by examiner

Primary Examiner — Catheri Oliver-Garcia

(74) *Attorney, Agent, or Firm* — MacCord Mason PLLC

(57) **CLAIM**

The ornamental design for a holster for a handgun, as shown and described.

DESCRIPTION

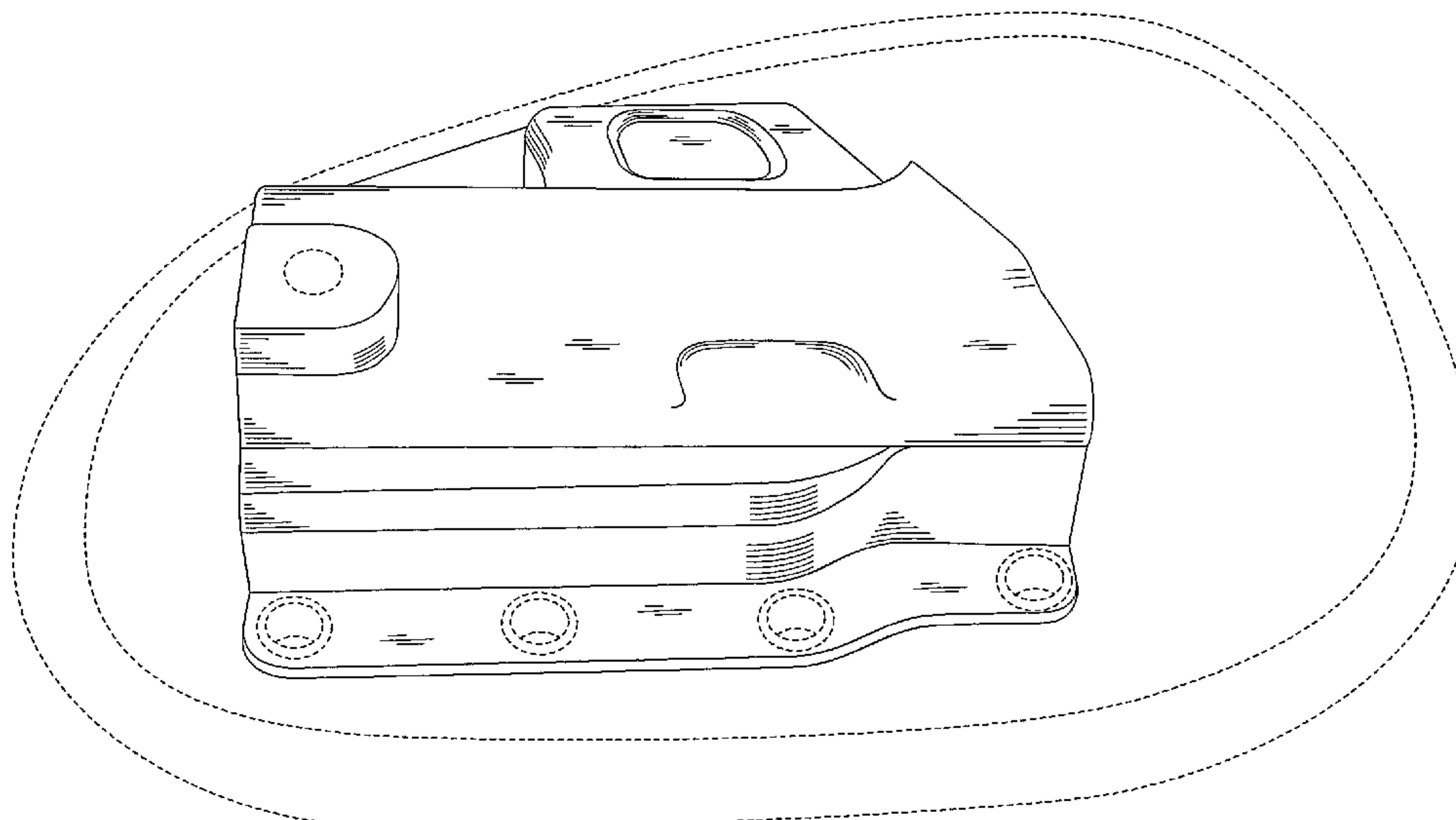
FIG. 1 is a front perspective view of a holster for a handgun showing my new design;
 FIG. 2 is a front view thereof;
 FIG. 3 is a right side view thereof;
 FIG. 4 is a left side view thereof;
 FIG. 5 is a top view thereof; and
 FIG. 6 is a bottom view; and,
 FIG. 7 is a front view of the holster with the environmental structure removed.
 The back is plain and unadorned.
 The objects shown in dotted lines are for ornamental purposes only and form no part of the claimed design.

1 Claim, 7 Drawing Sheets

(56) **References Cited**

U.S. PATENT DOCUMENTS

2,576,231 A	11/1951	Lawson, Jr. et al.	
3,583,612 A	6/1971	Theodore	224/2
3,731,858 A	5/1973	Baker	224/2
3,942,692 A	3/1976	Chica	224/2
4,022,361 A	5/1977	Devlin	224/2
4,062,481 A	12/1977	Clark	224/2
4,667,374 A	5/1987	Bianchi	24/3
4,718,585 A	1/1988	Atkins, Sr.	224/238
4,785,983 A	11/1988	DeSantis	224/206
5,054,671 A	10/1991	Else	224/192
D335,221 S *	5/1993	Nichols	D3/222
5,265,781 A	11/1993	Nichols	224/198
5,445,303 A	8/1995	Cawile, Jr.	224/222



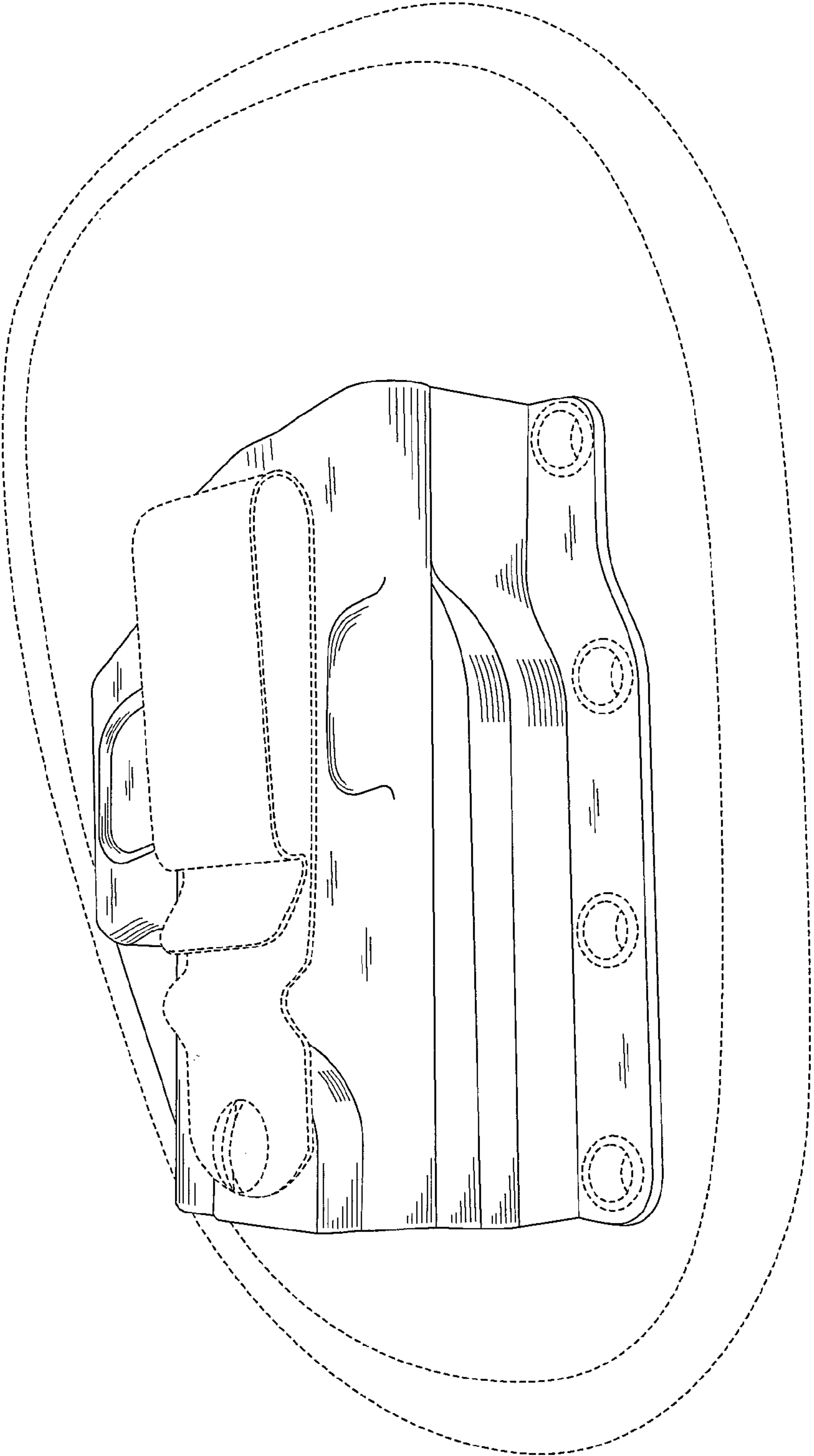


FIG. 1

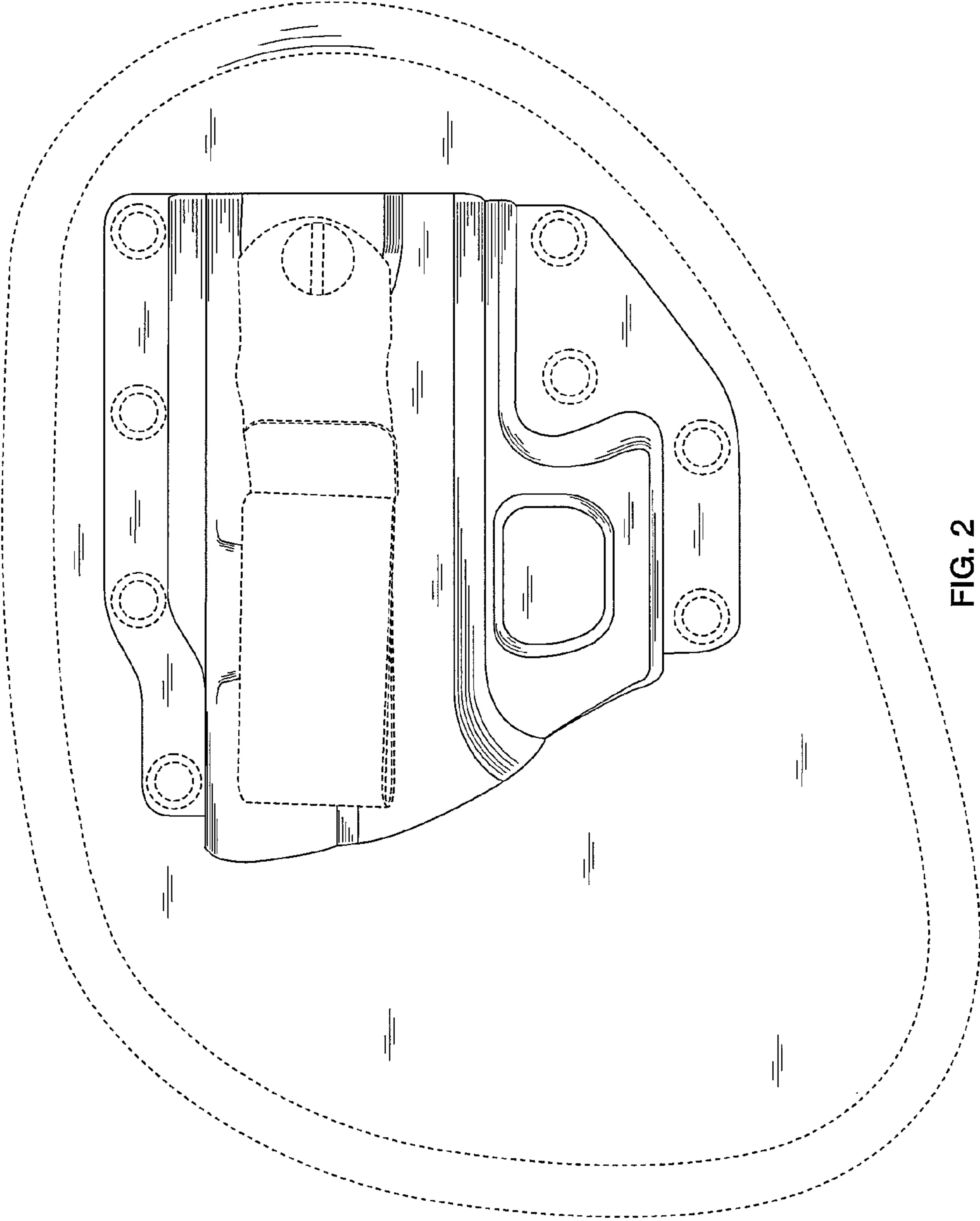


FIG. 2

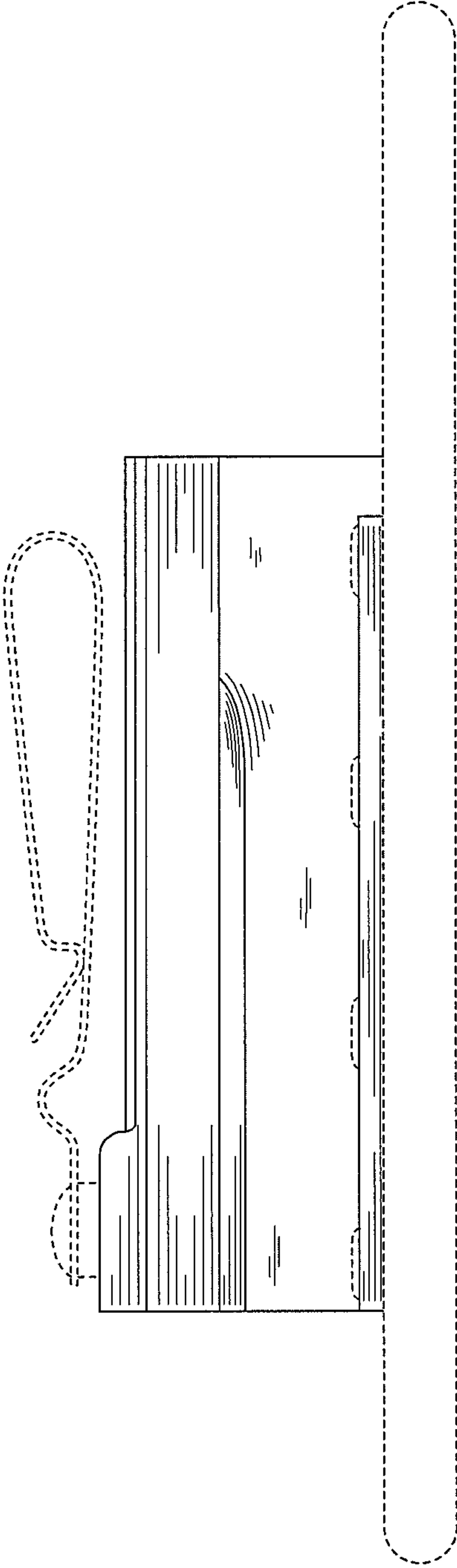


FIG. 3

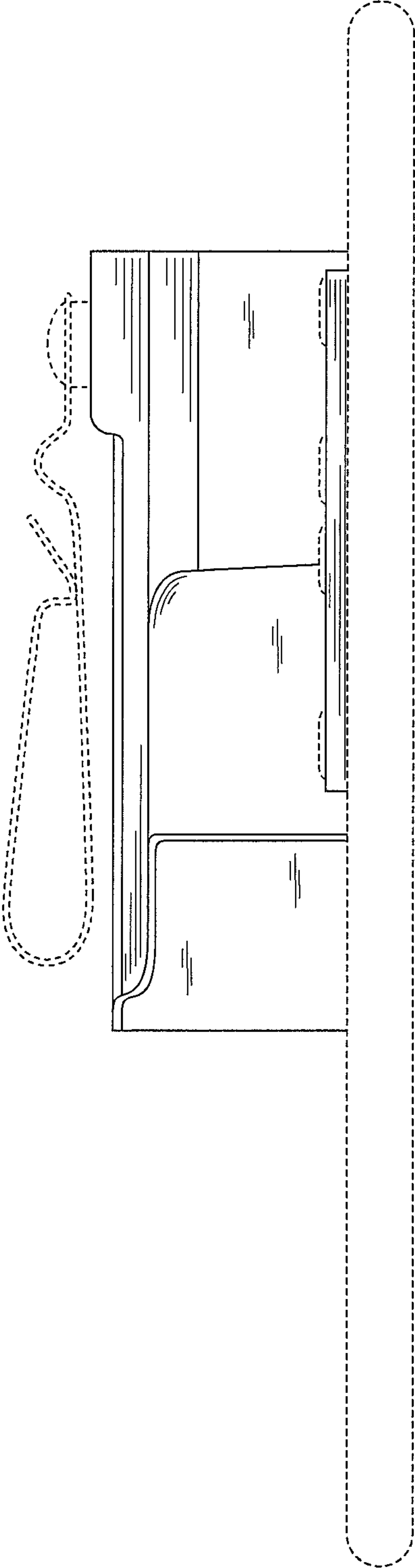


FIG. 4

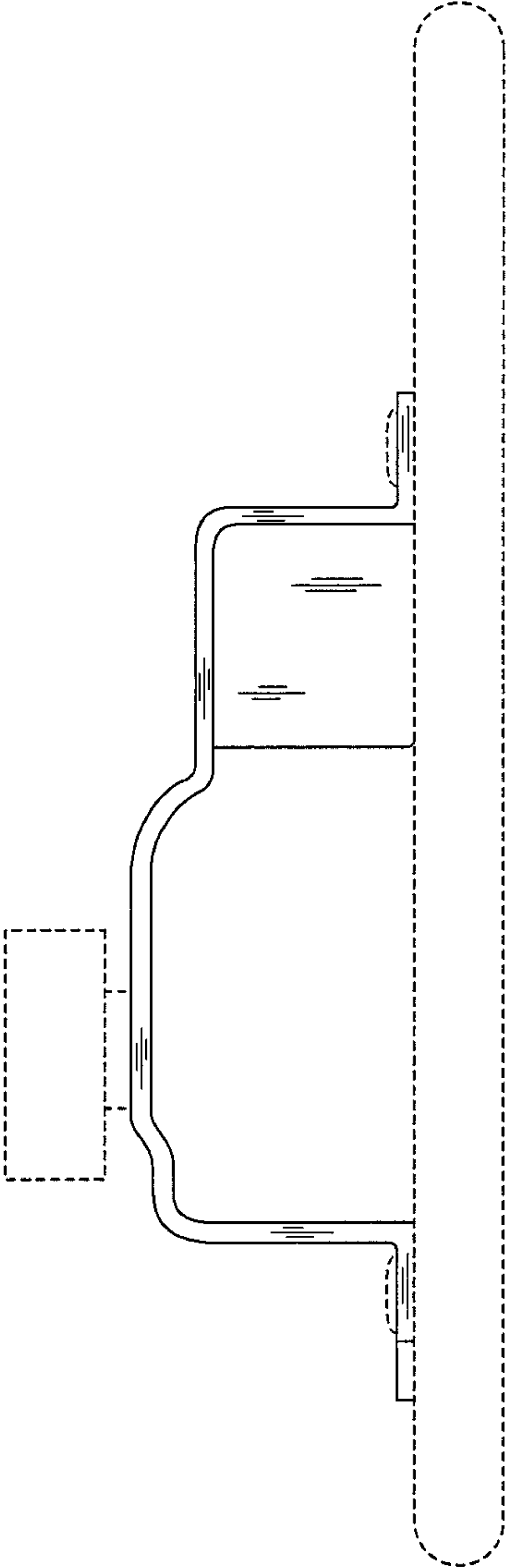


FIG. 5

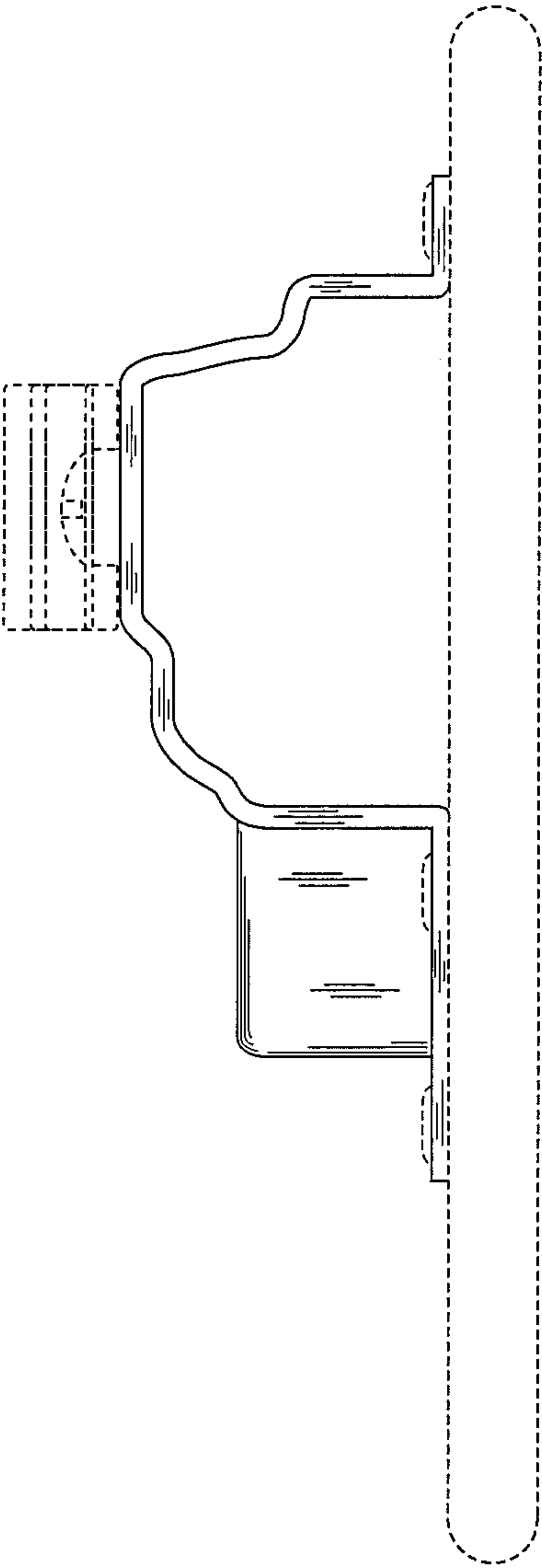


FIG. 6

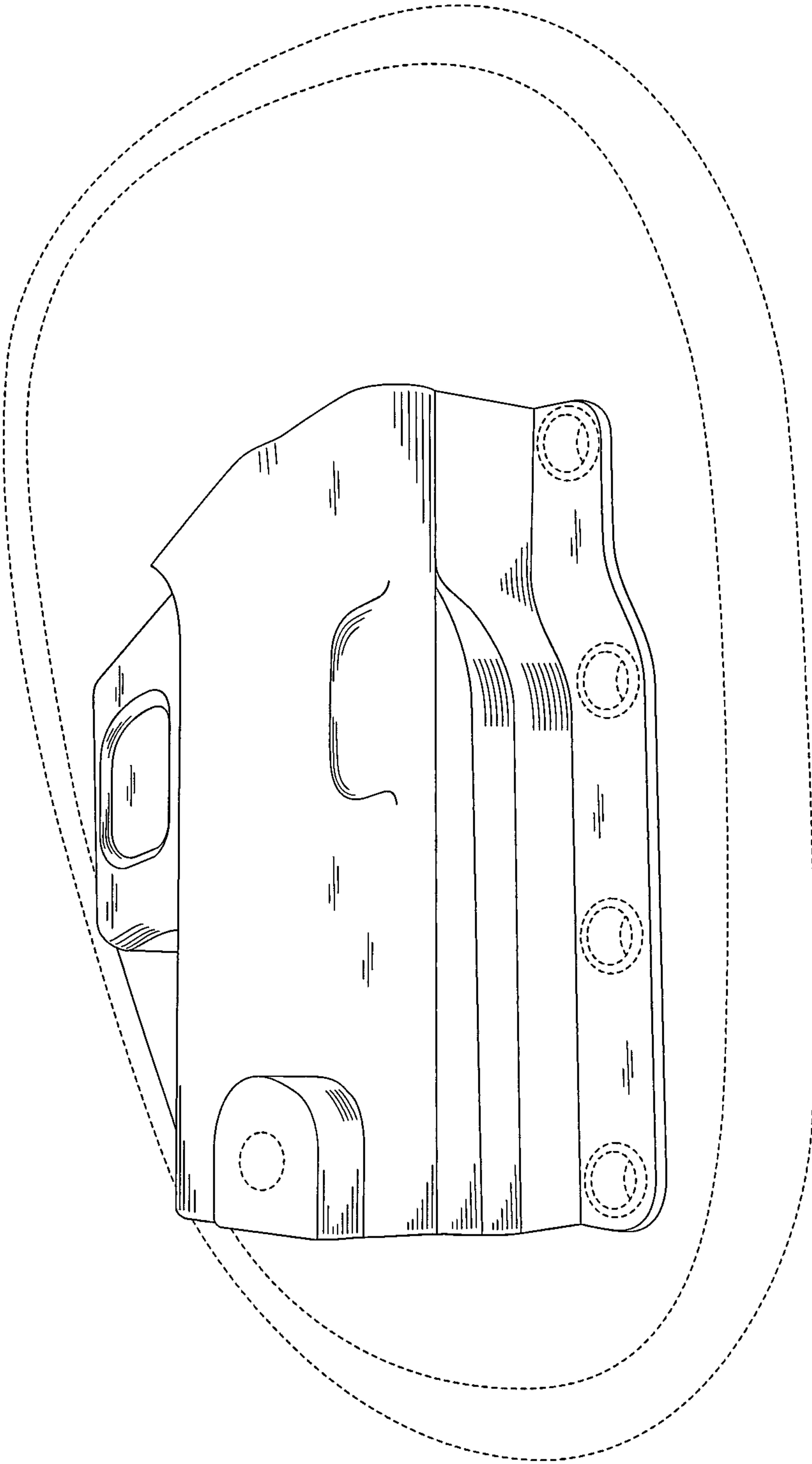


FIG. 7