



US00D681942S

(12) **United States Design Patent**  
**Baker**

(10) **Patent No.:** **US D681,942 S**

(45) **Date of Patent:** **\*\* May 14, 2013**

(54) **ACCESSORIES ORGANIZER FOR PROFESSIONAL GOLFERS**

(71) Applicant: **Ronnie K. Baker**, Greer, SC (US)

(72) Inventor: **Ronnie K. Baker**, Greer, SC (US)

(\*\*) Term: **14 Years**

(21) Appl. No.: **29/433,746**

(22) Filed: **Oct. 4, 2012**

(51) **LOC (9) Cl.** ..... **03-01**

(52) **U.S. Cl.**  
USPC ..... **D3/221**

(58) **Field of Classification Search** ..... D3/221,  
D3/215, 226, 228, 254, 257; 224/249, 261,  
224/576, 663, 666, 677, 680-681, 918-919,  
224/222, 219, 269, 251, 669; 206/315.1;  
D21/796, 793-794

See application file for complete search history.

(56) **References Cited**

U.S. PATENT DOCUMENTS

2,558,382	A	6/1951	Previdi	
3,298,579	A	1/1967	Smith	
4,129,237	A *	12/1978	Grinder	224/669
4,736,877	A	4/1988	Clark	
D332,176	S	1/1993	Mueller	
D343,944	S	2/1994	Krugler	
5,517,696	A	5/1996	Krugler	
D382,107	S *	8/1997	Hwang	D3/221
5,934,530	A	8/1999	Antczak	
6,102,201	A	8/2000	Marston et al.	

6,202,911	B1	3/2001	Freer	
6,634,528	B2 *	10/2003	Hurtgam	224/251
D504,483	S *	4/2005	Leung	D3/221
D504,769	S	5/2005	Bozik et al.	
6,889,828	B2 *	5/2005	Pursely	206/315.1
D543,024	S	5/2007	More	
D591,949	S *	5/2009	Goetzinger	D3/221

\* cited by examiner

*Primary Examiner* — Catheri Oliver-Garcia

(74) *Attorney, Agent, or Firm* — Cort Flint

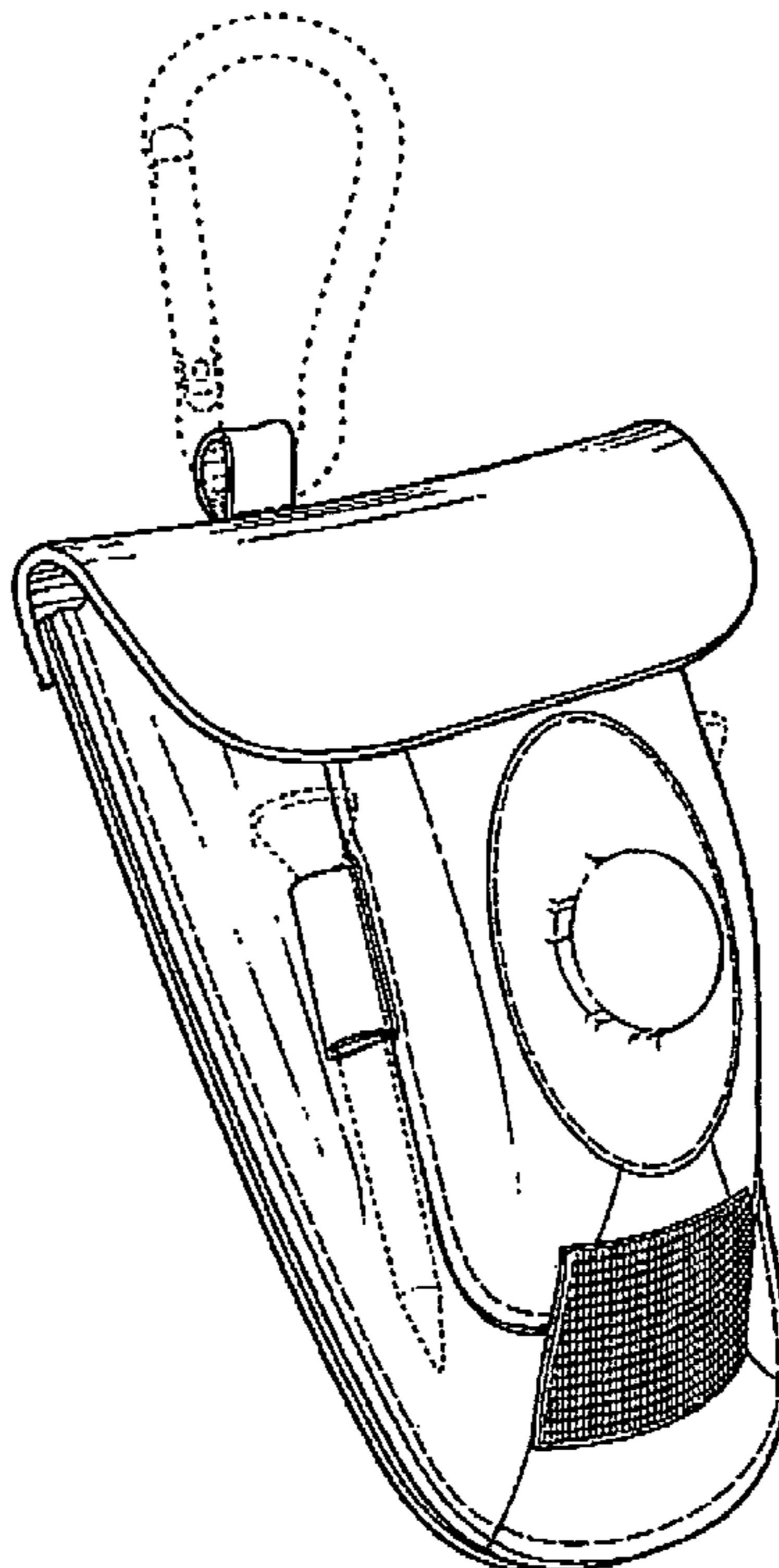
(57) **CLAIM**

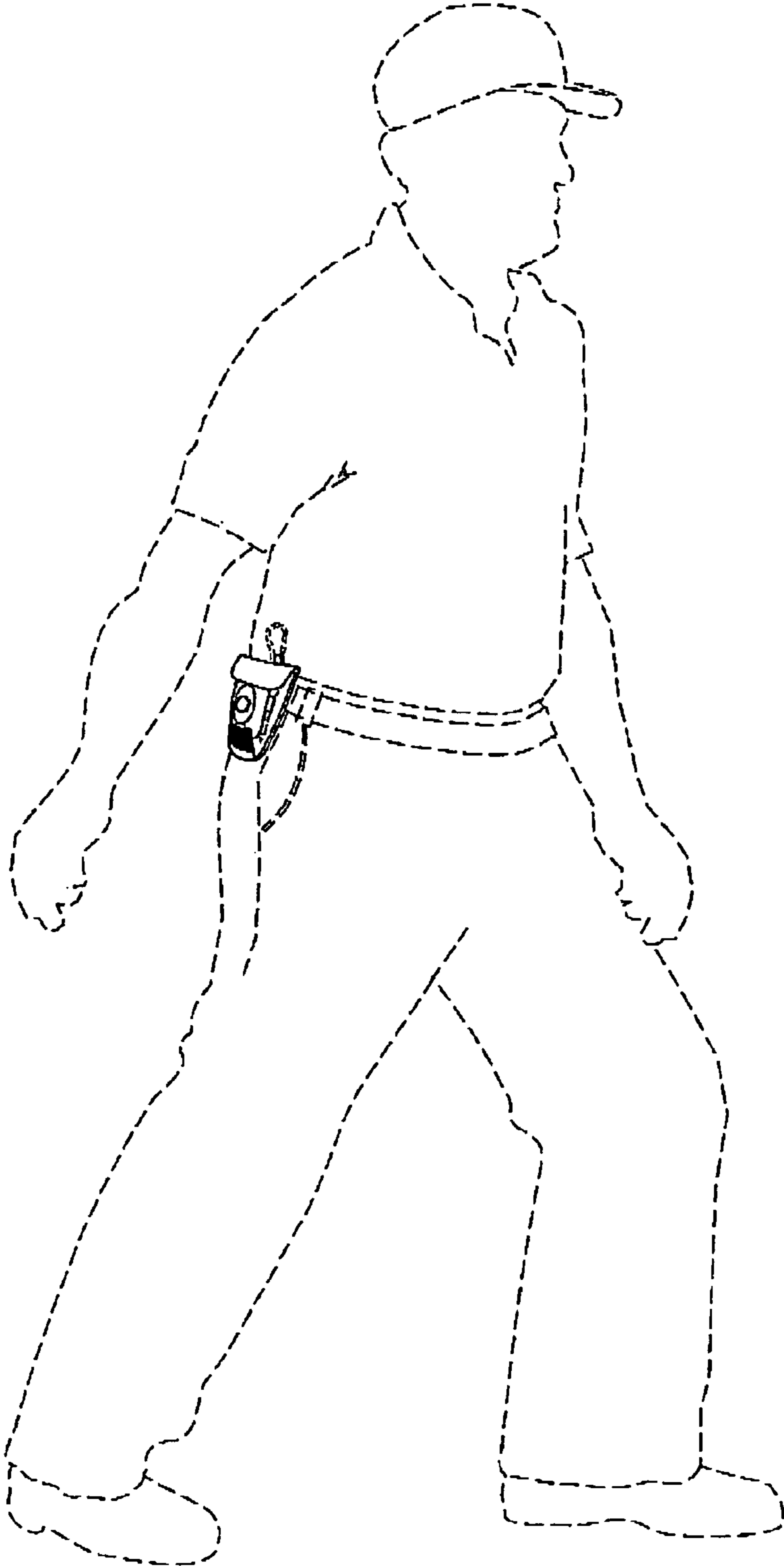
I claim the design for an accessories organizer for professional golfers, as shown and described.

**DESCRIPTION**

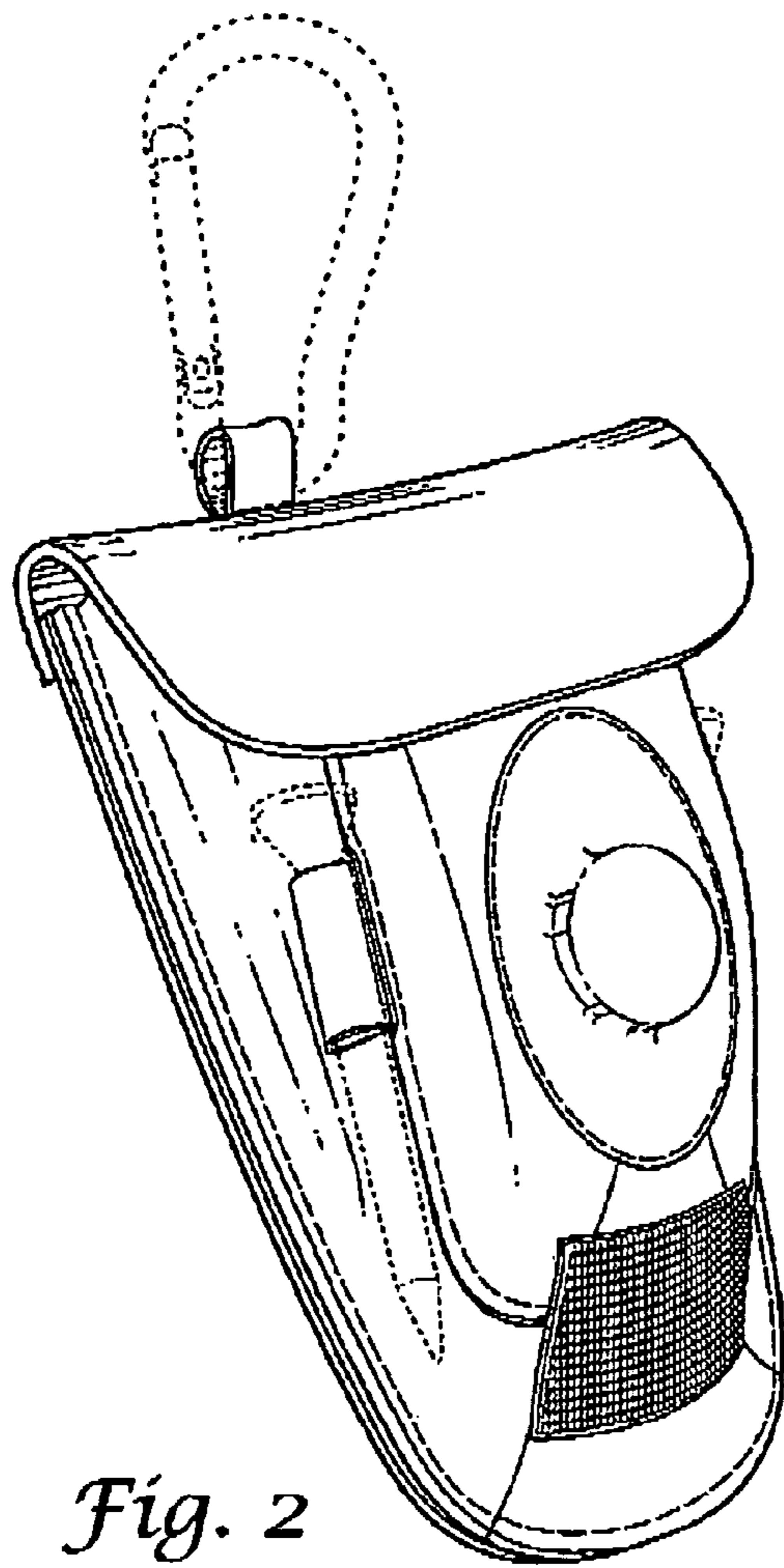
FIG. 1 is a side perspective view of my new design as carried by a golfer;  
 FIG. 2 is a front left perspective view showing my new design;  
 FIG. 3 is a right front perspective view showing my new design;  
 FIG. 4 is a right upper perspective view showing my new design.  
 FIG. 5 is a front elevation of my new design;  
 FIG. 6 is a rear elevation of my new design;  
 FIG. 7 is a side elevation of my new design;  
 FIG. 8 is a bottom plan view of my new design; and,  
 FIG. 9 is a top plan view of my new design.  
 The broken lines in the drawings represent environmental subject matter that forms no part of the claimed design.

**1 Claim, 5 Drawing Sheets**

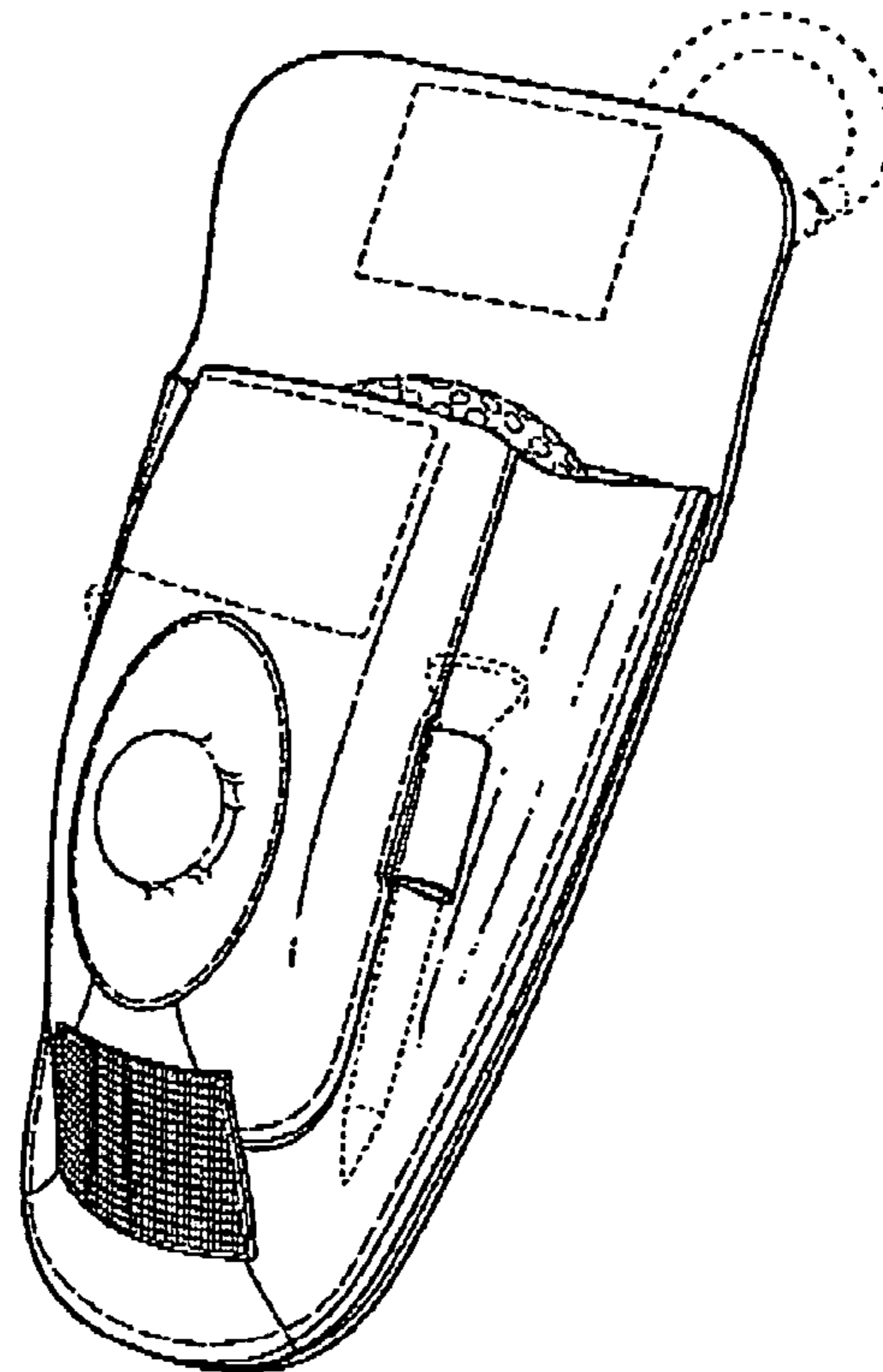




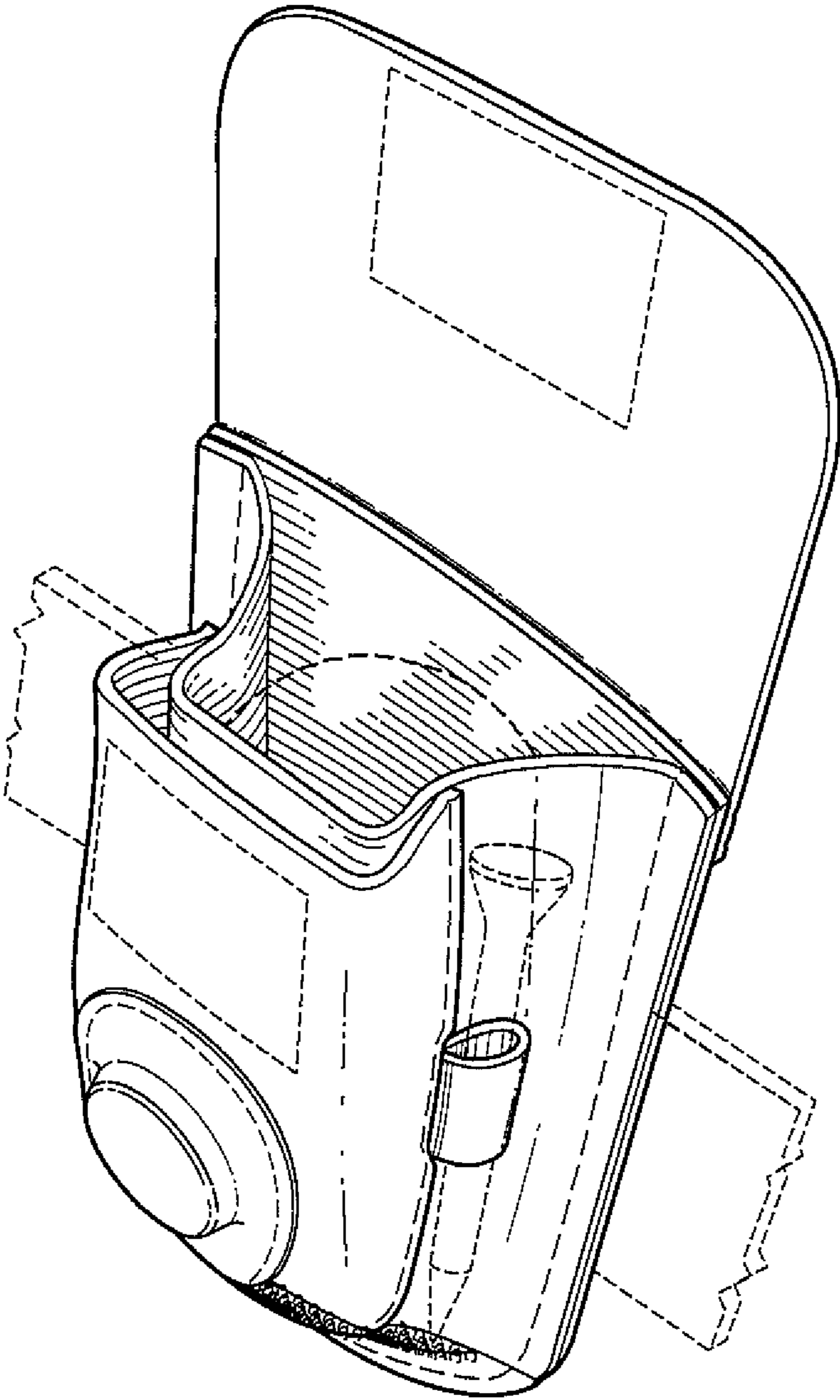
*Fig. 1*



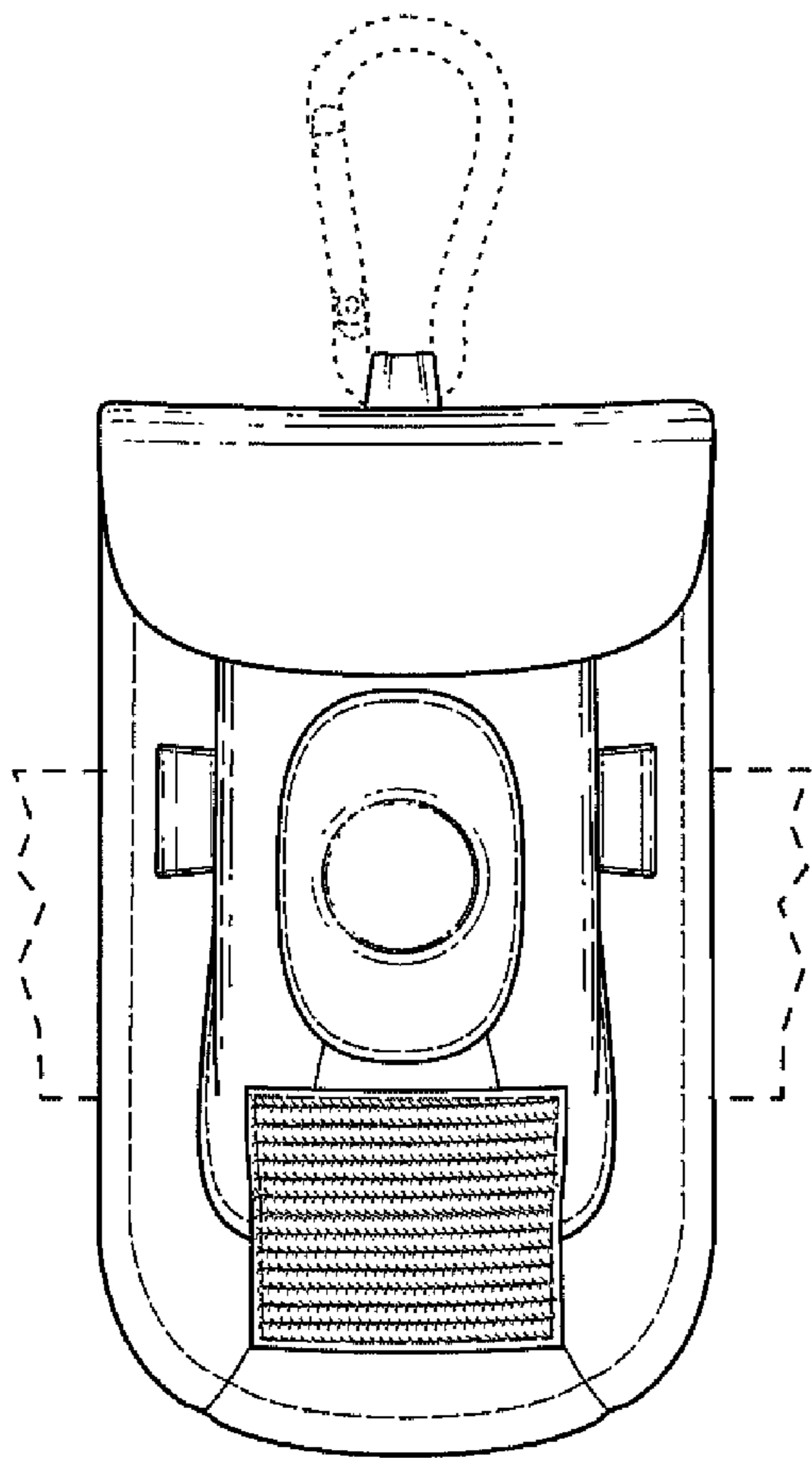
*Fig. 2*



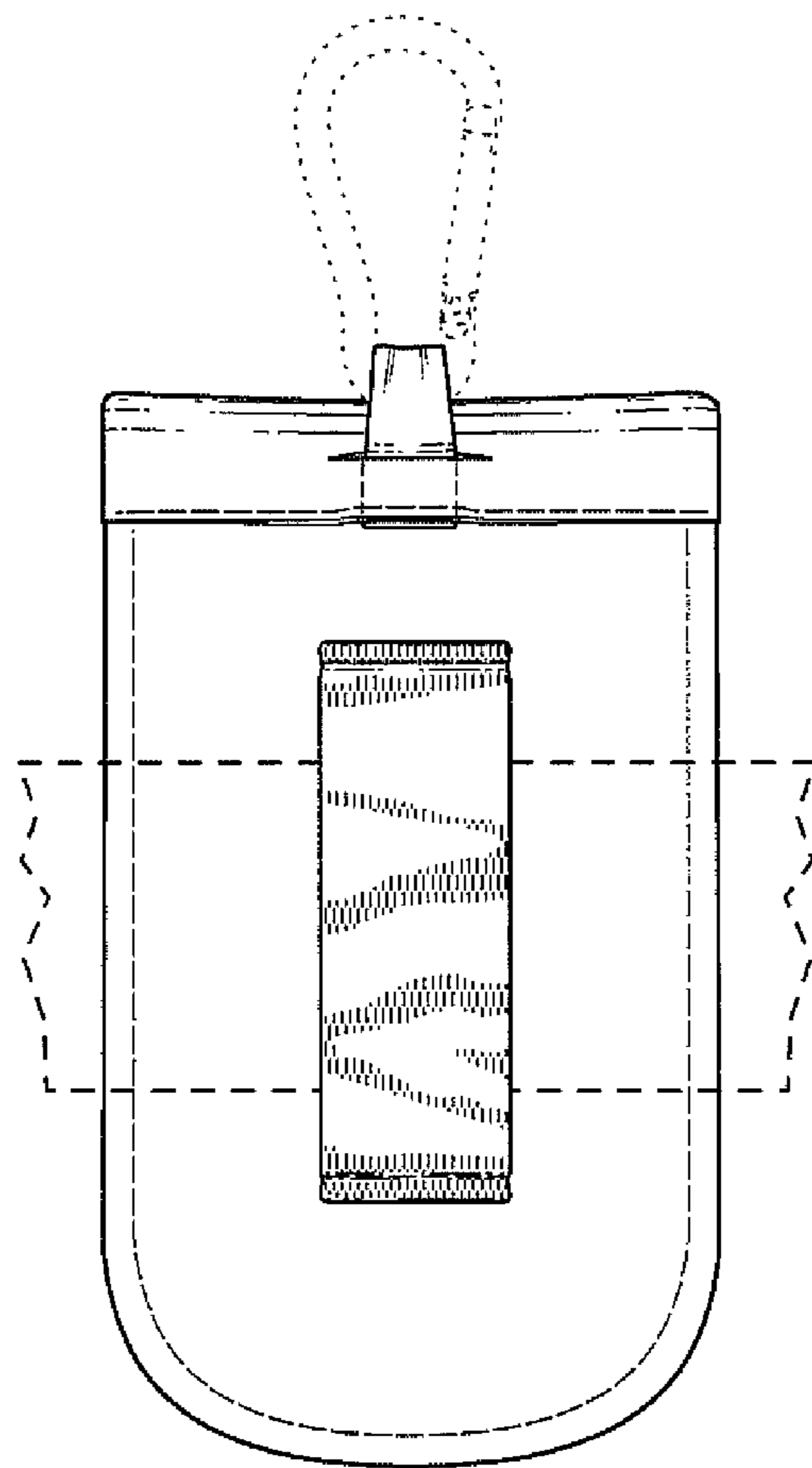
*Fig. 3*



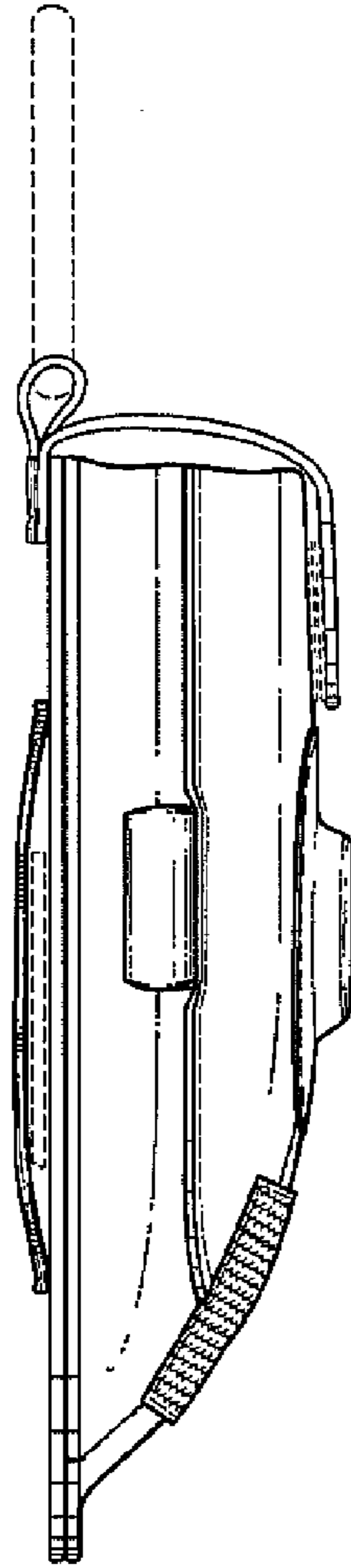
*Fig. 4*



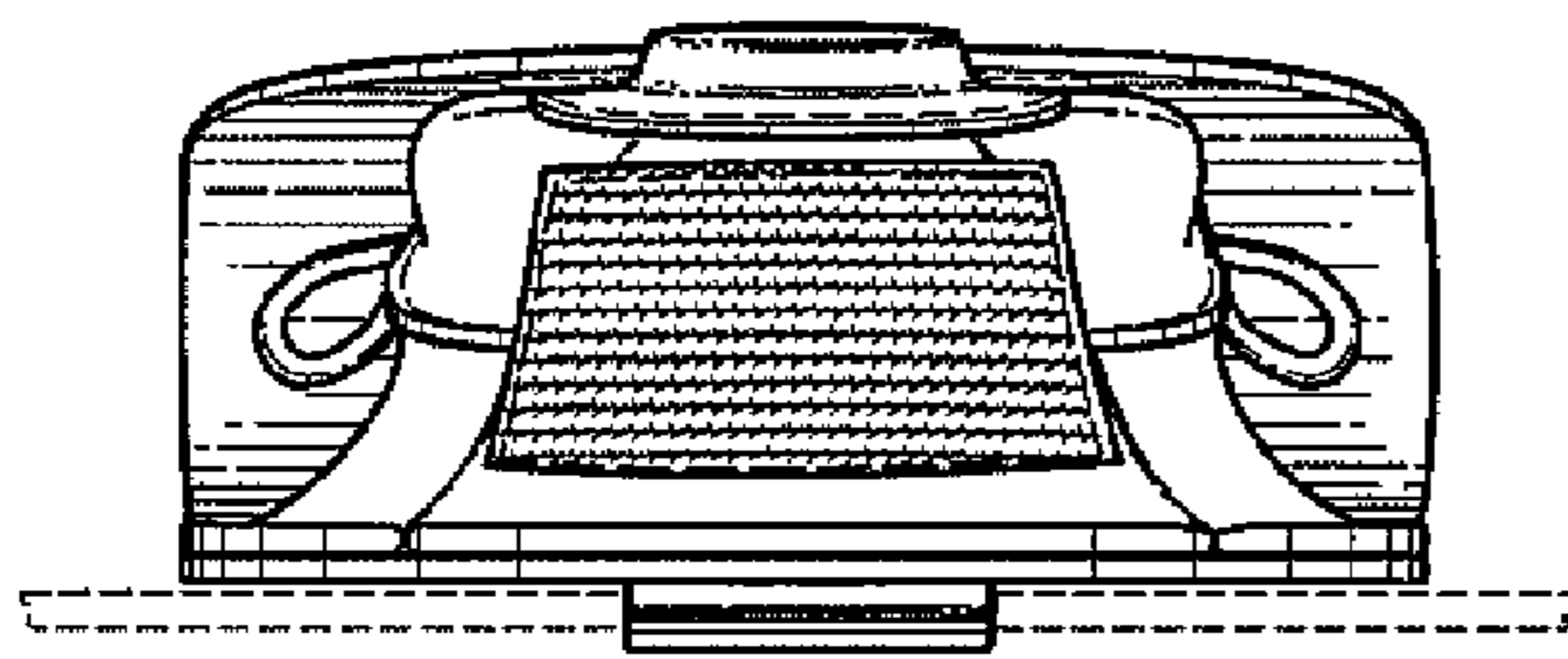
*Fig. 5*



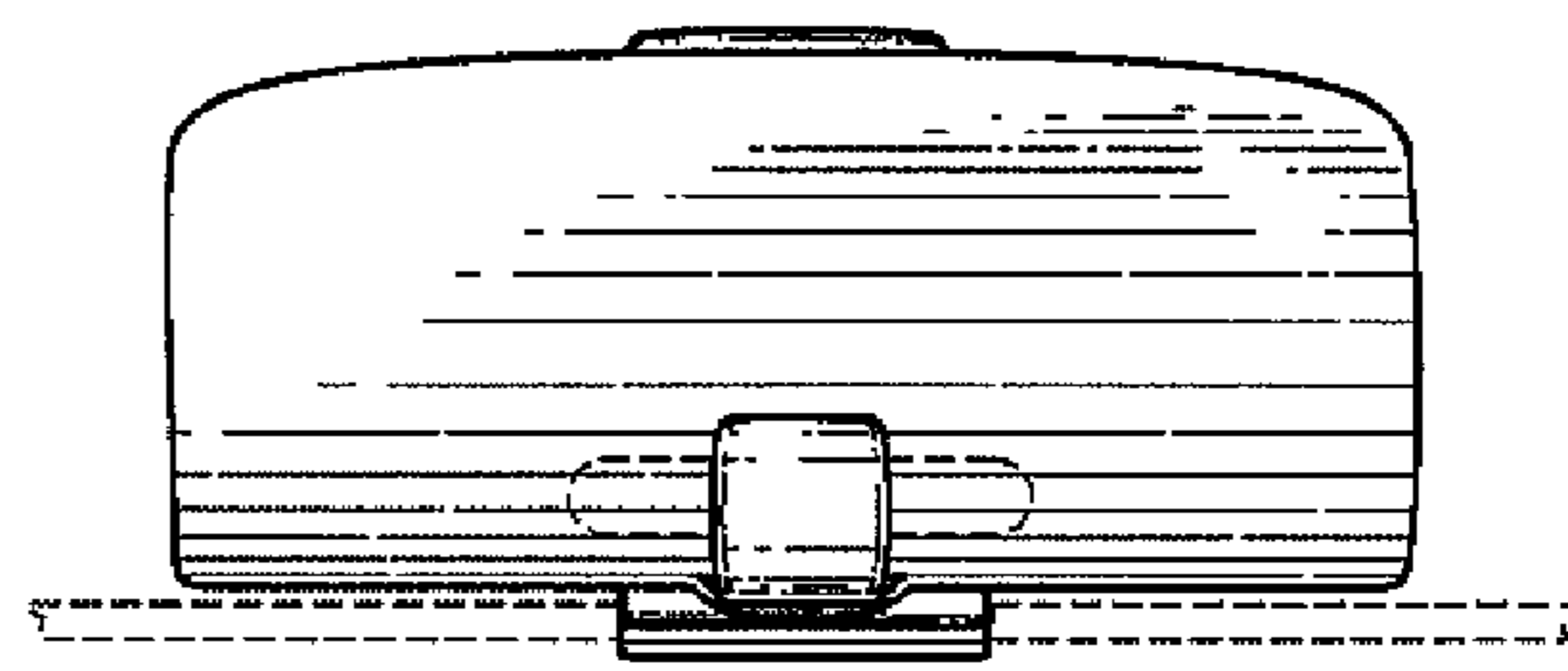
*Fig. 6*



*Fig. 7*



*Fig. 8*



*Fig. 9*