



US00D681939S

(12) **United States Design Patent**
Johnson, Jr.

(10) **Patent No.:** **US D681,939 S**
(45) **Date of Patent:** **** May 14, 2013**

(54) **COMBINED HAIR TOOL HOLDER AND TRAVEL CASE**

(75) Inventor: **Robert Donald Johnson, Jr.**, Farmville, NC (US)

(73) Assignee: **Hair Doozy, LLC**, Farmville, NC (US)

(**) Term: **14 Years**

(21) Appl. No.: **29/429,195**

(22) Filed: **Aug. 8, 2012**

(51) **LOC (9) Cl.** **03-01**

(52) **U.S. Cl.**

USPC **D3/205; D28/38; D28/73**

(58) **Field of Classification Search** **D3/205, D3/284, 285, 289, 301, 901, 903; D28/73-75, D28/38; 206/581, 823, 372, 764, 349; 219/242; 211/70.6, 13.1**

See application file for complete search history.

(56) **References Cited**

U.S. PATENT DOCUMENTS

4,446,972 A * 5/1984 Sussman 211/26
D290,785 S * 7/1987 Kelly D3/284
5,025,928 A * 6/1991 Orosy et al. 206/581

(Continued)

Primary Examiner — Jennifer Rivard

(74) *Attorney, Agent, or Firm* — Ward and Smith, P.A.

(57) **CLAIM**

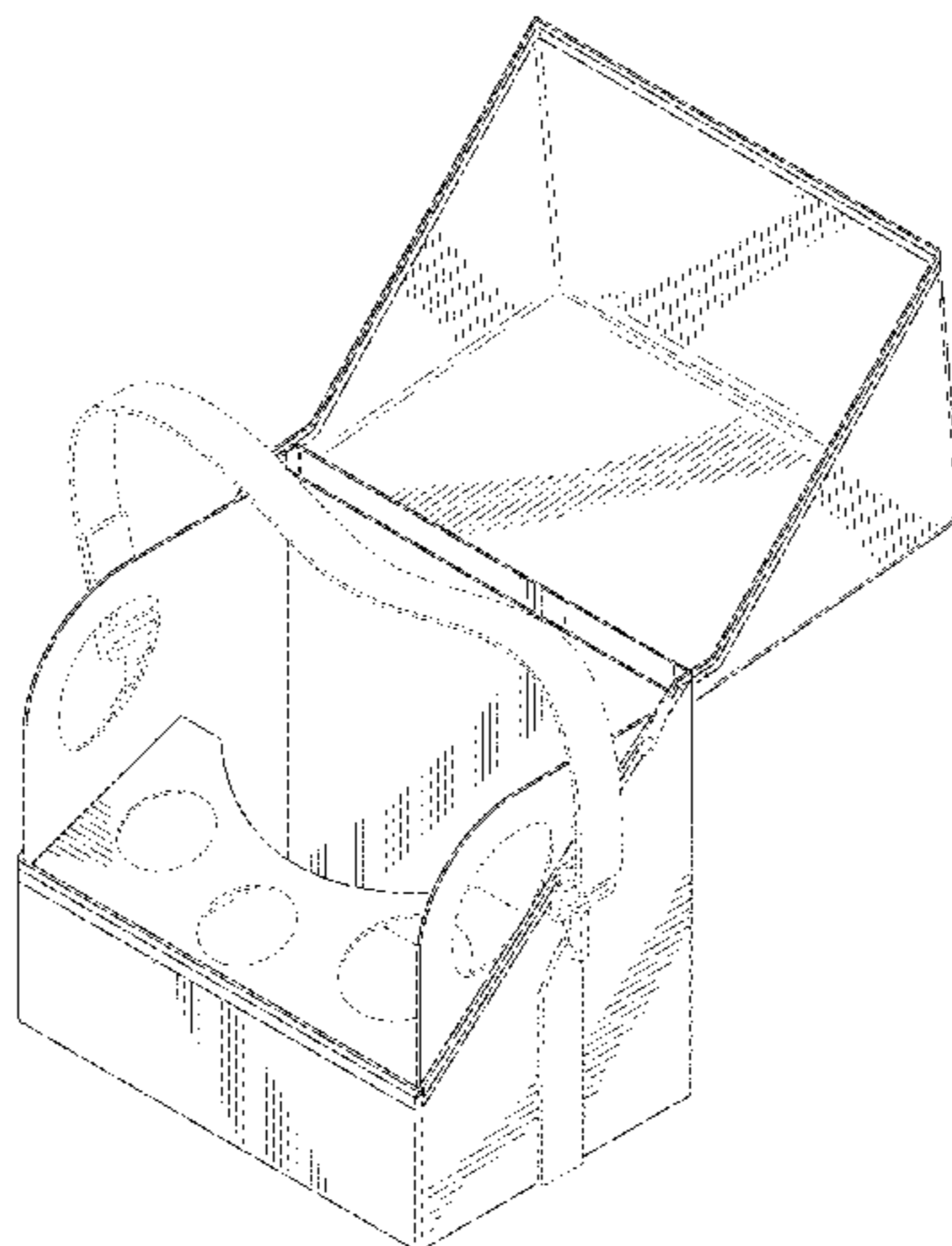
The ornamental design for a combined hair tool holder and travel case, as shown and described.

DESCRIPTION

FIG. 1 is a perspective view of a combined hair tool holder and travel case showing a new design;
FIG. 2 is a front elevation view thereof;
FIG. 3 is a back elevation view thereof;
FIG. 4 is a right side view thereof, the left side being a mirror image;

FIG. 5 is a top plan view thereof;
FIG. 6 is a bottom plan view thereof;
FIG. 7 is another perspective view thereof, showing the combined hair tool holder and travel case in an alternate closed configuration;
FIG. 8 is another front elevation view thereof, showing the combined hair tool holder and travel case in the alternate closed configuration;
FIG. 9 is another back elevation view thereof, showing the combined hair tool holder and travel case in the alternate closed configuration;
FIG. 10 is another right side view thereof, the left side being a mirror image, showing the combined hair tool holder and travel case in the alternate closed configuration;
FIG. 11 is another top plan view thereof, showing the combined hair tool holder and travel case in the alternate closed configuration;
FIG. 12 is another bottom plan view thereof, showing the combined hair tool holder and travel case in the alternate closed configuration;
FIG. 13 is another perspective view thereof, showing the combined hair tool holder and travel case in an alternate configuration removed from a travel case;
FIG. 14 is another front elevation view thereof, showing the combined hair tool holder and travel case in the alternate configuration removed from the travel case;
FIG. 15 is another back elevation view thereof, showing the combined hair tool holder and travel case in the alternate configuration removed from the travel case;
FIG. 16 is another right side view thereof, the left side being a mirror image, showing the combined hair tool holder and travel case in the alternate configuration removed from the travel case;
FIG. 17 is another top plan view thereof, showing the combined hair tool holder and travel case in the alternate configuration removed from the travel case; and,
FIG. 18 is another bottom plan view thereof, showing the combined hair tool holder and travel case in the alternate configuration removed from the travel case.
The dashed lines shown in the drawings are for environmental purposes only and form no part of the claimed design.

1 Claim, 18 Drawing Sheets



US D681,939 S

Page 2

U.S. PATENT DOCUMENTS

D326,017 S *	5/1992	Orosy et al.	D3/205	D560,311 S *	1/2008	Li et al.	D28/73
5,203,456 A *	4/1993	Boswell	206/349	D603,562 S *	11/2009	Mills	D28/73
D392,414 S *	3/1998	Smal	D28/38	D642,736 S *	8/2011	Reidy	D28/18
5,878,757 A *	3/1999	Hernandez	132/287	D665,570 S *	8/2012	Shrewsbury et al.	D3/201
6,109,446 A *	8/2000	Foote	206/759	D670,865 S *	11/2012	Cooper et al.	D28/73
D464,791 S *	10/2002	Lemoine	D3/205	2008/0236611 A1 *	10/2008	Redzisz et al.	206/581
D490,187 S *	5/2004	Micinilio	D28/38	2013/0056017 A1 *	3/2013	Rigsby	206/581

* cited by examiner

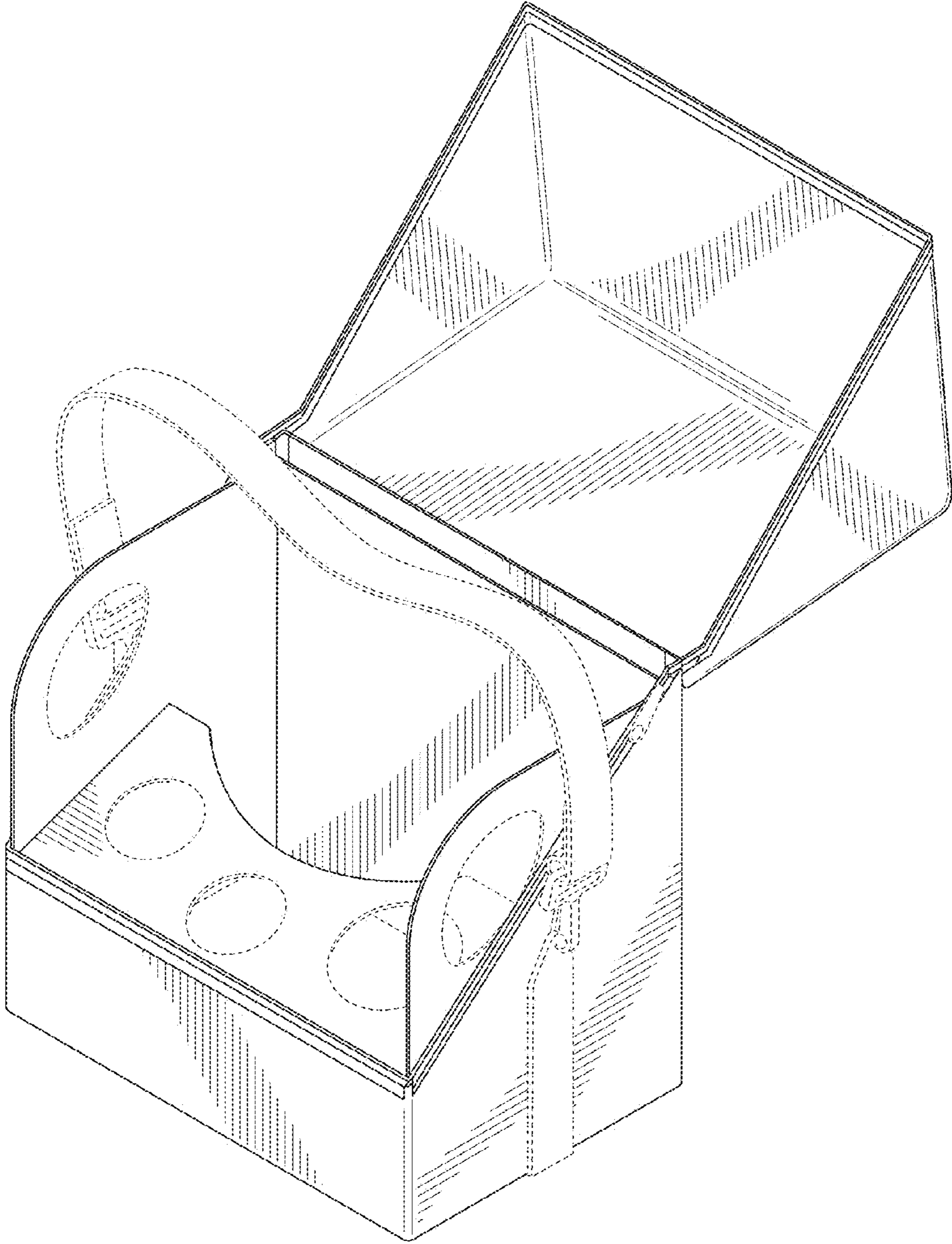


FIG. 1

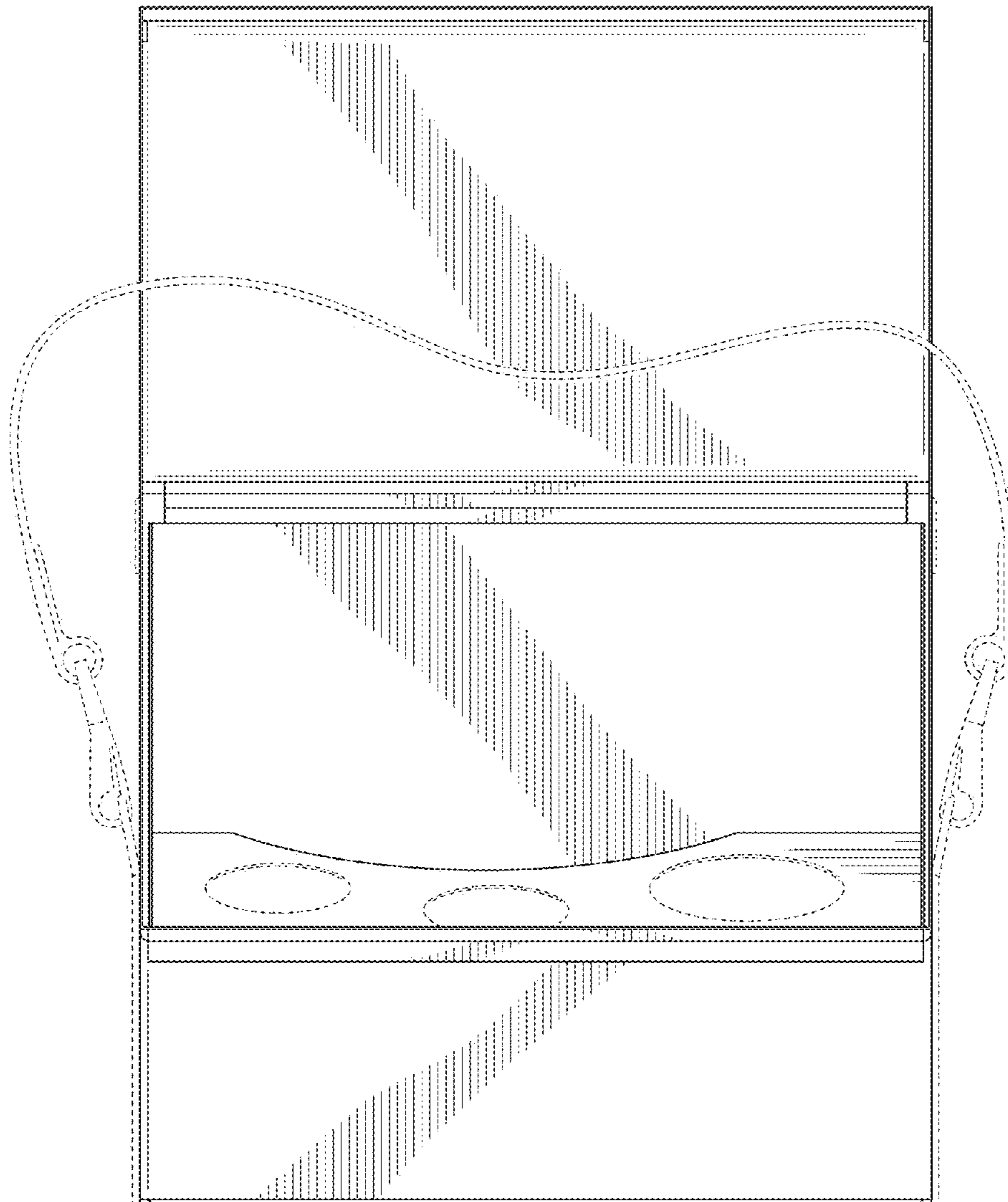


FIG. 2

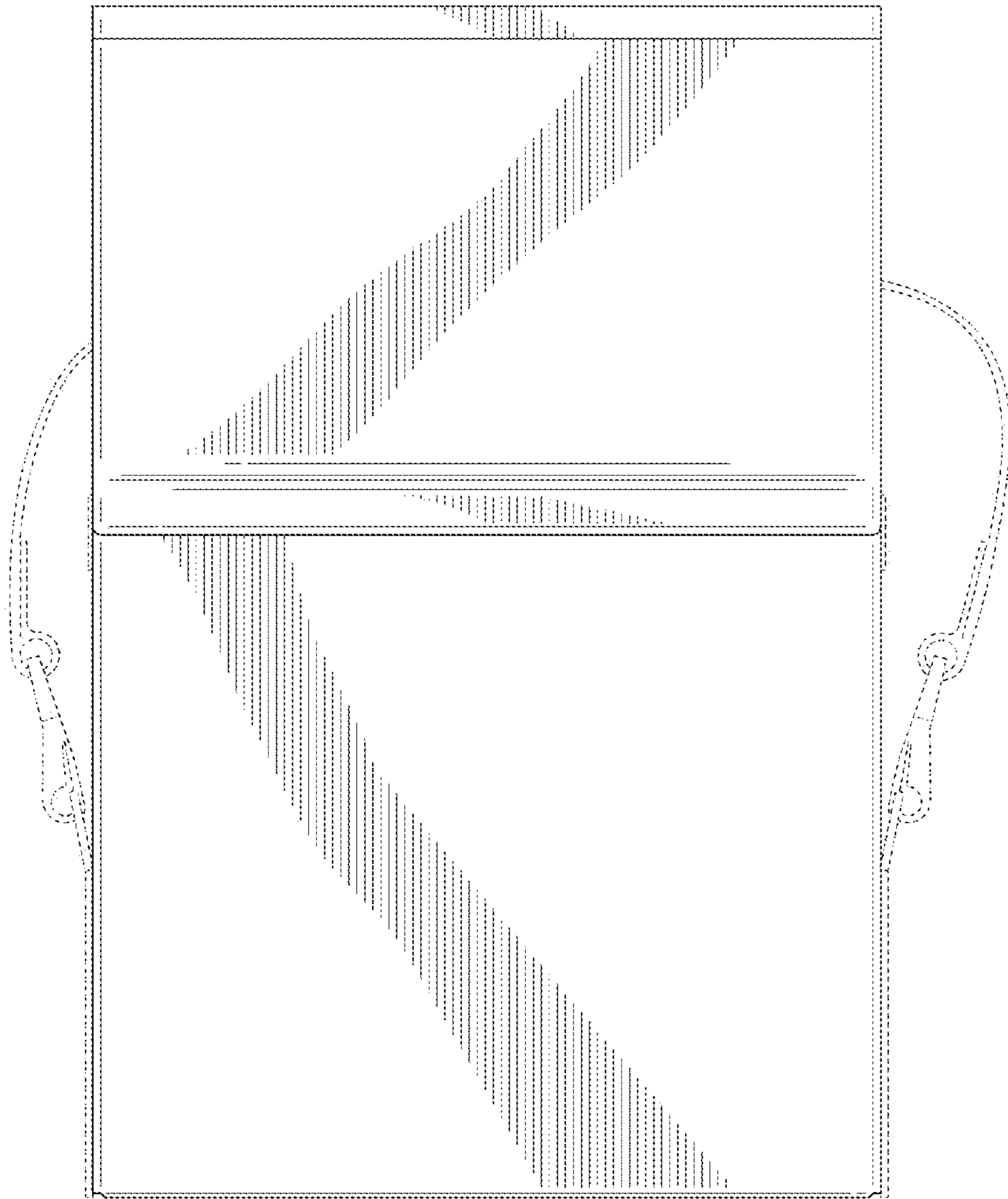


FIG. 3

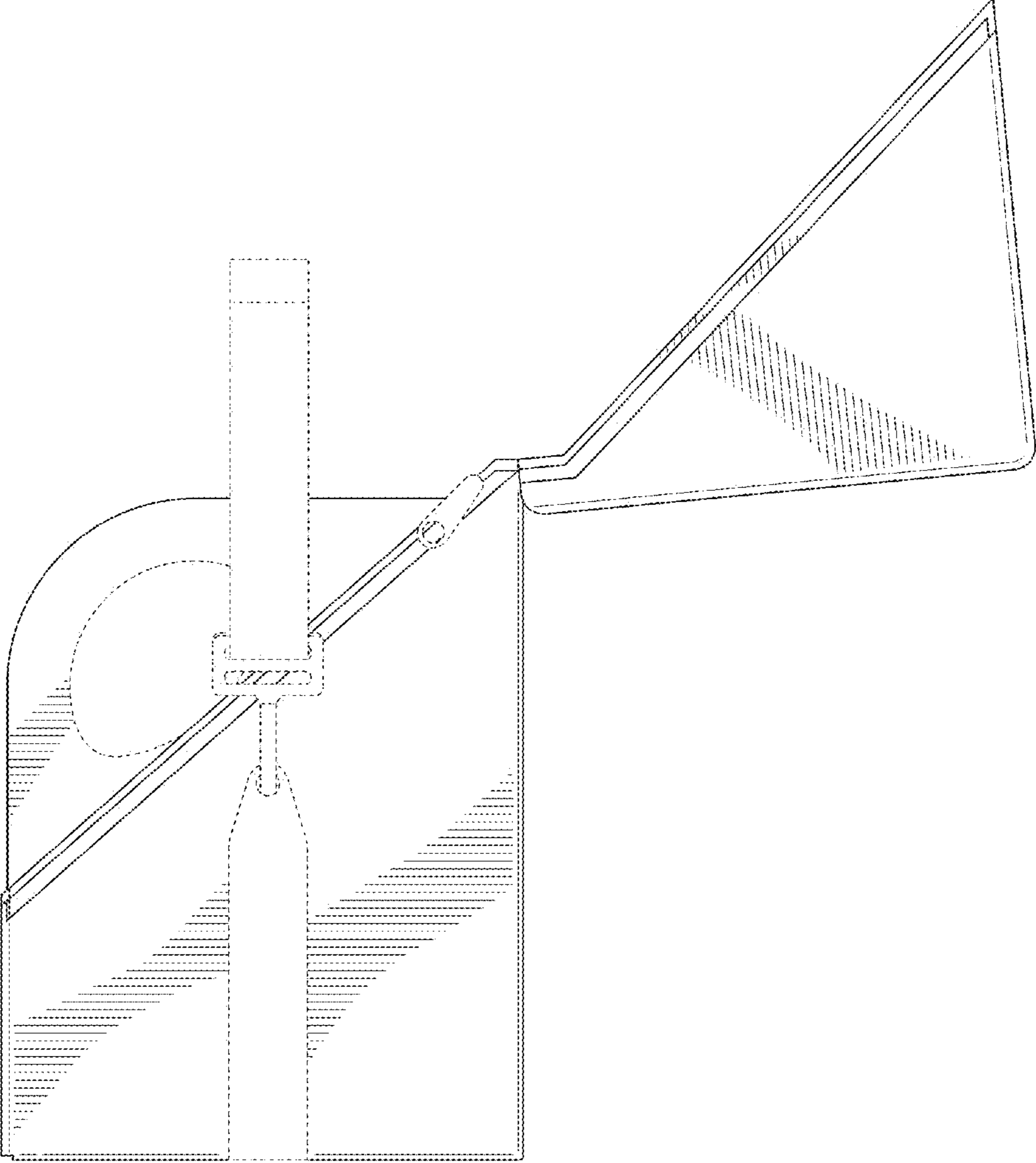


FIG. 4

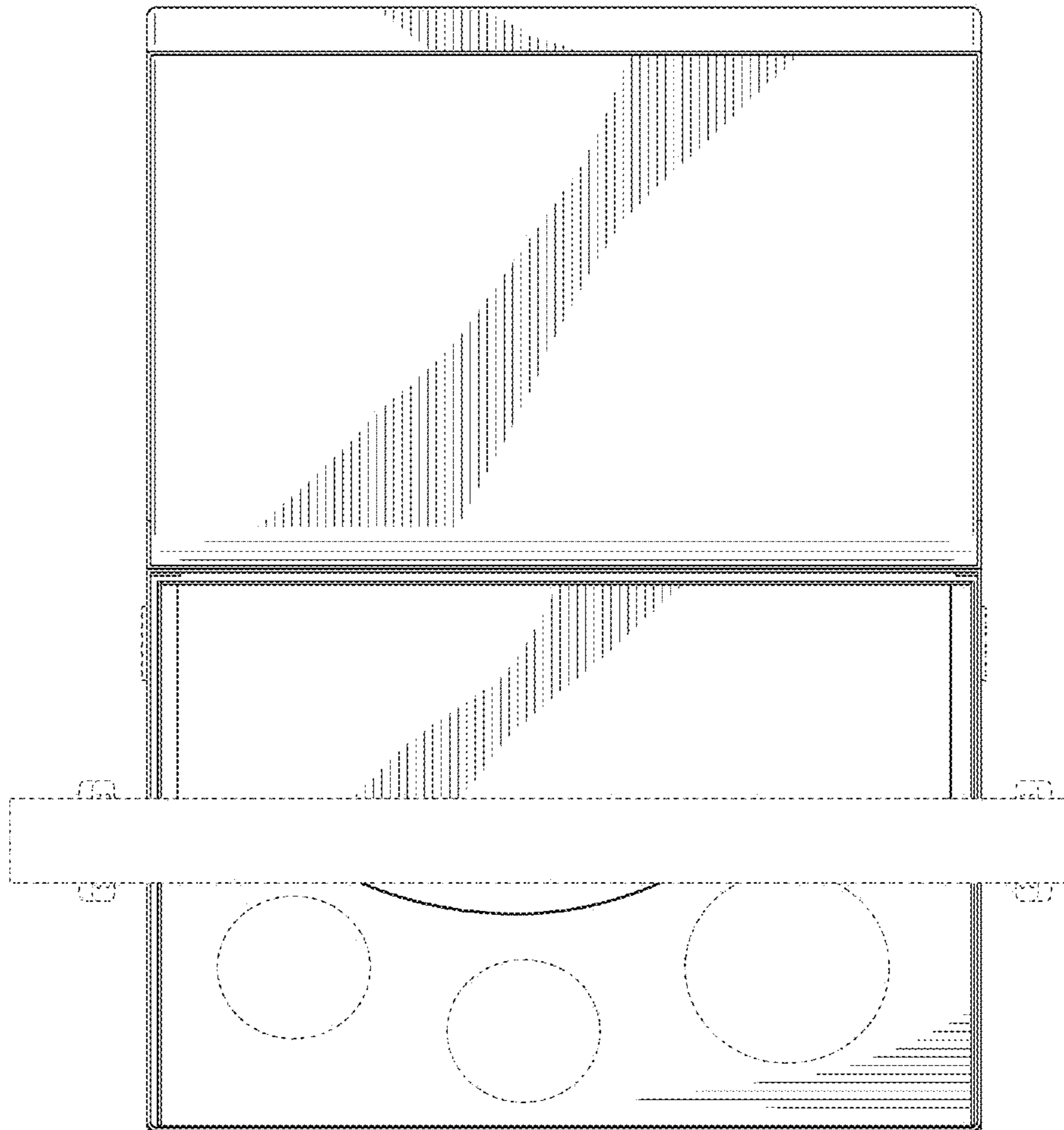


FIG. 5

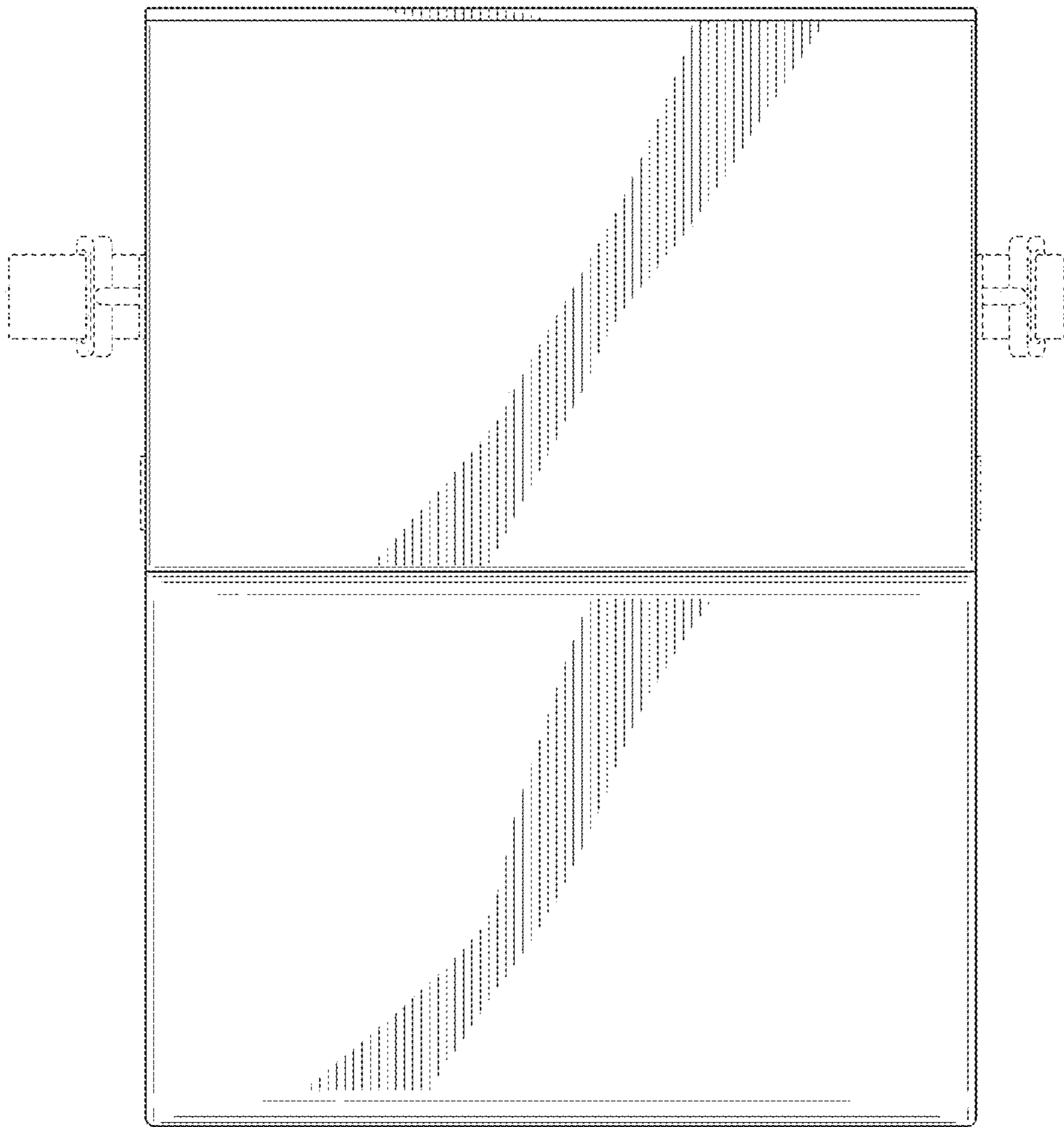


FIG. 6

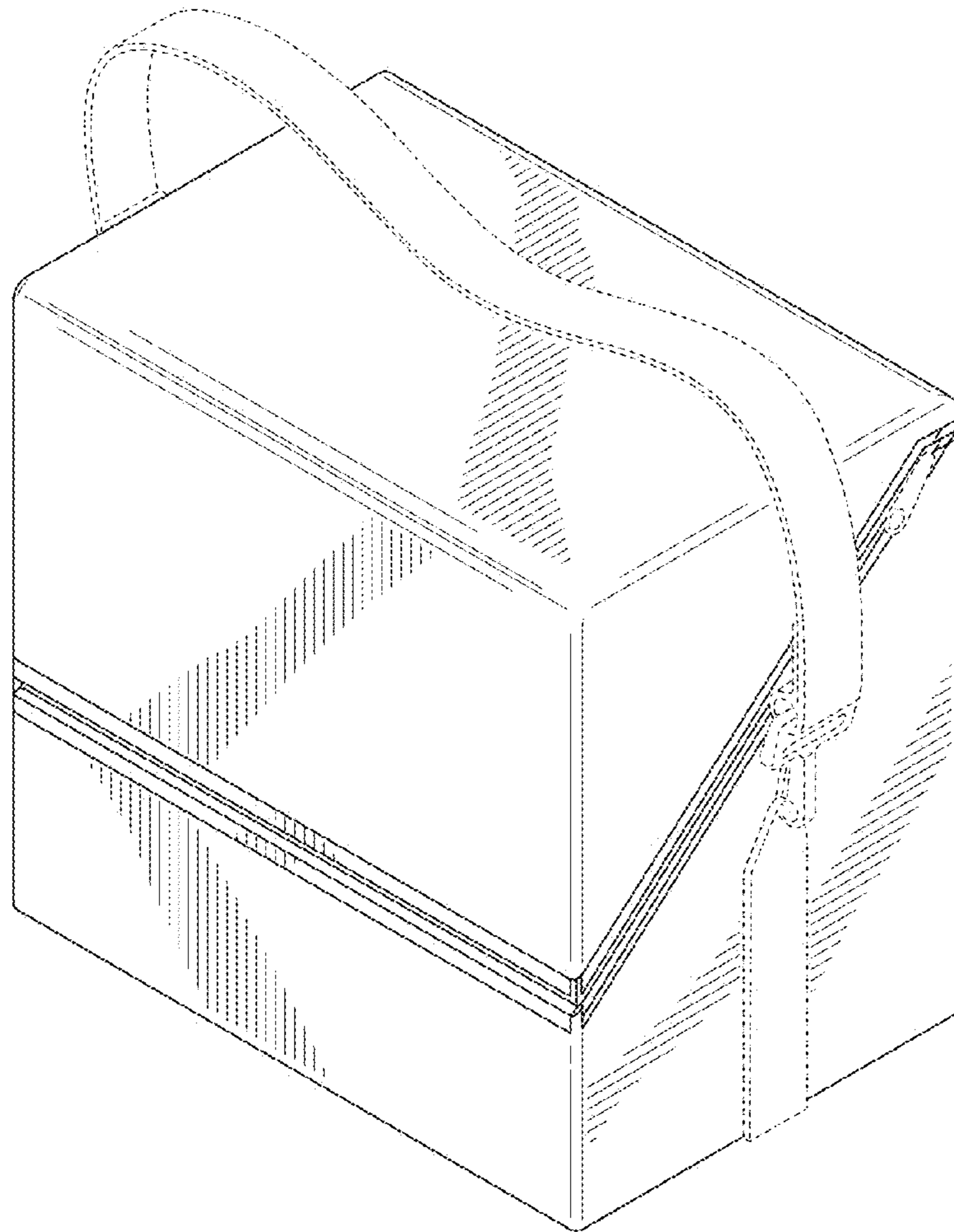


FIG. 7

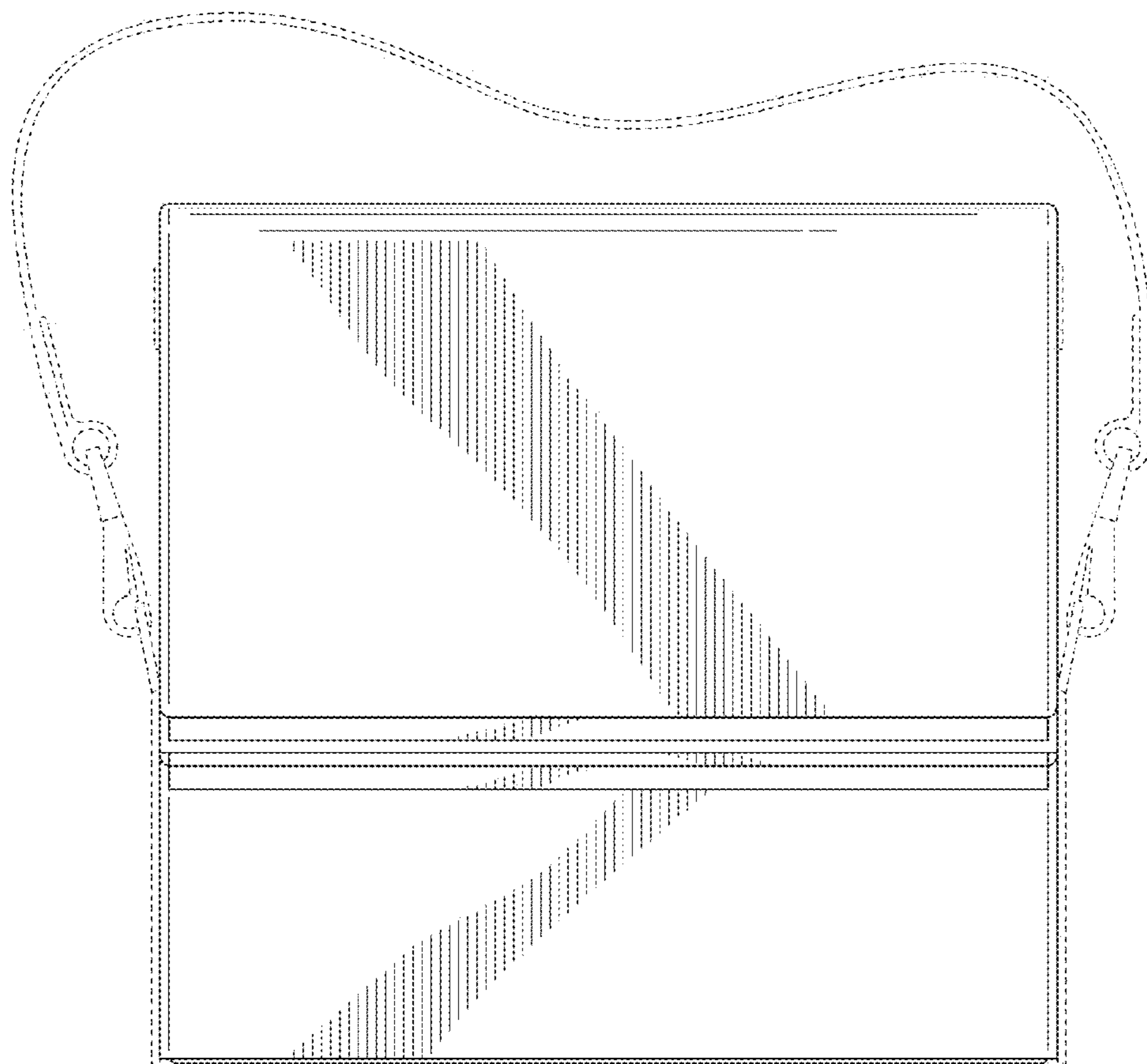


FIG. 8

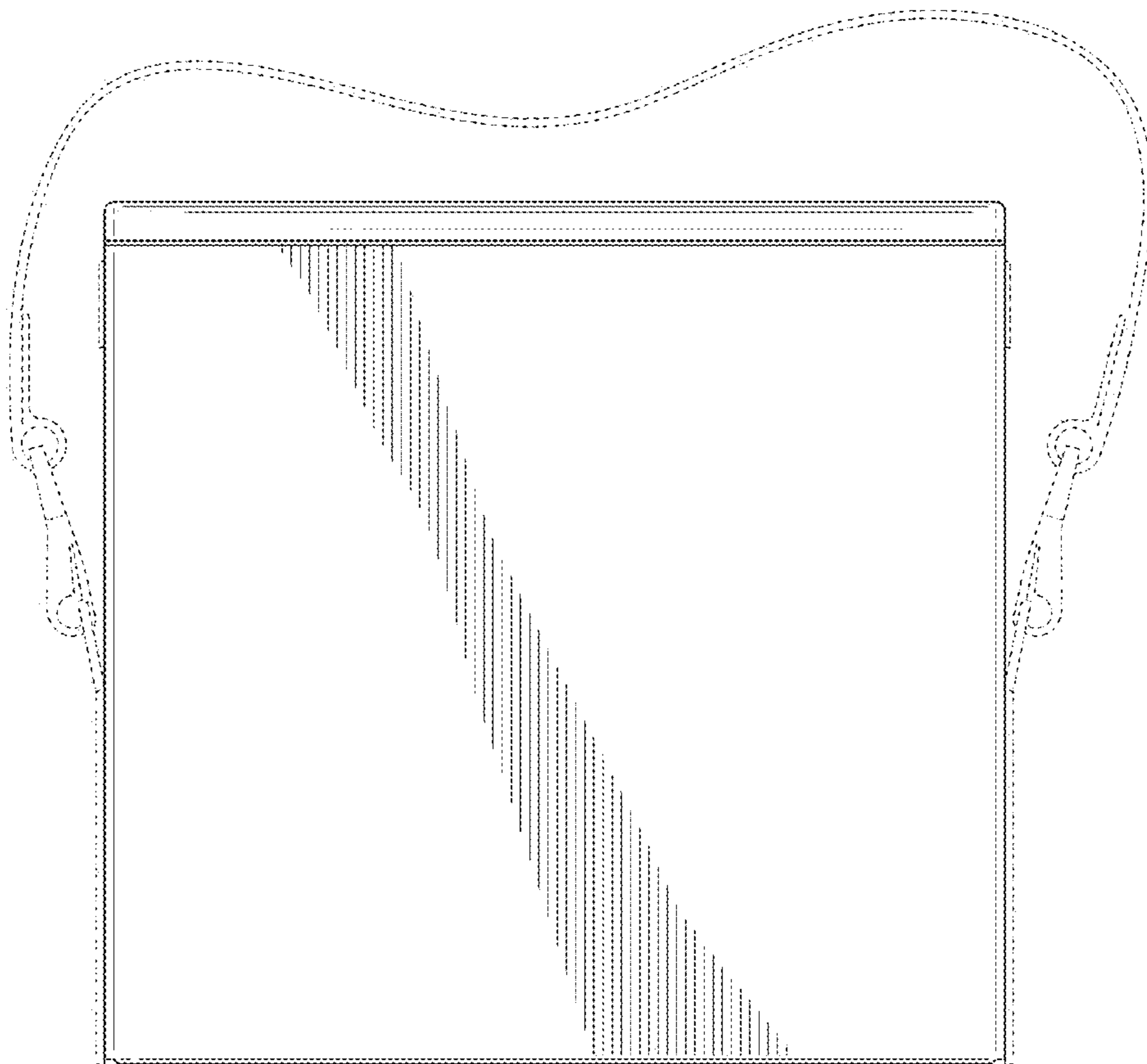


FIG. 9

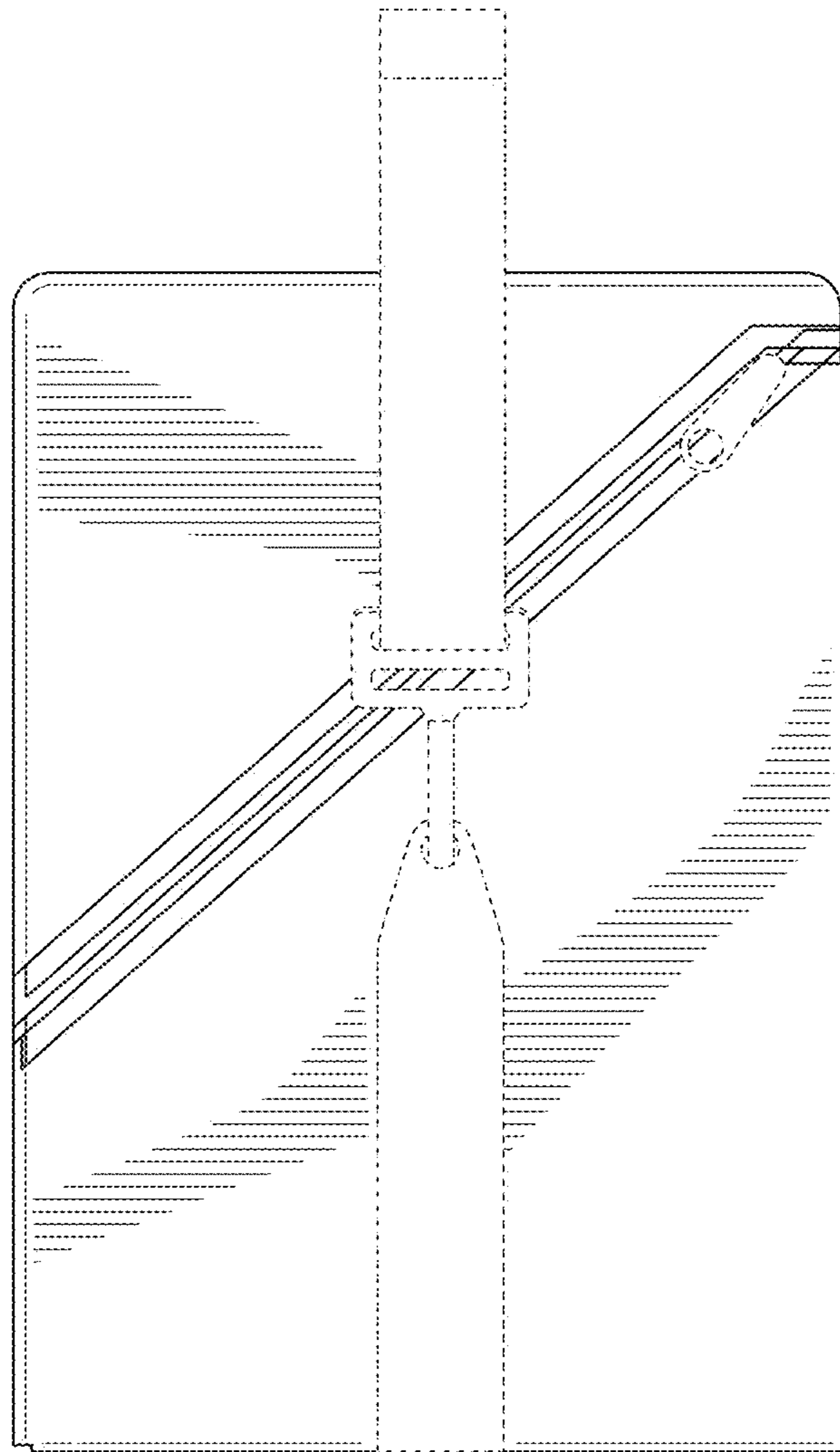


FIG. 10

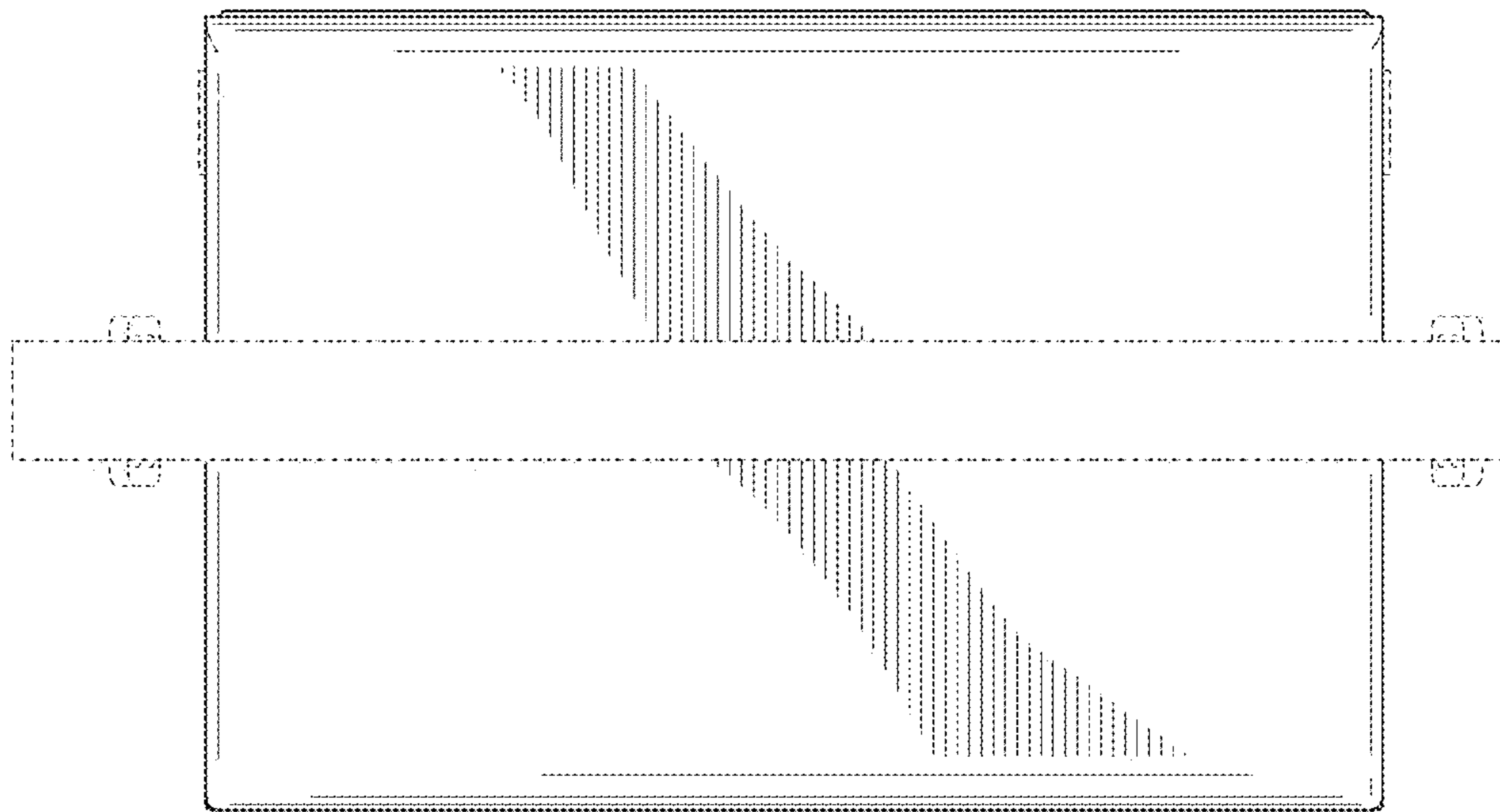


FIG. 11

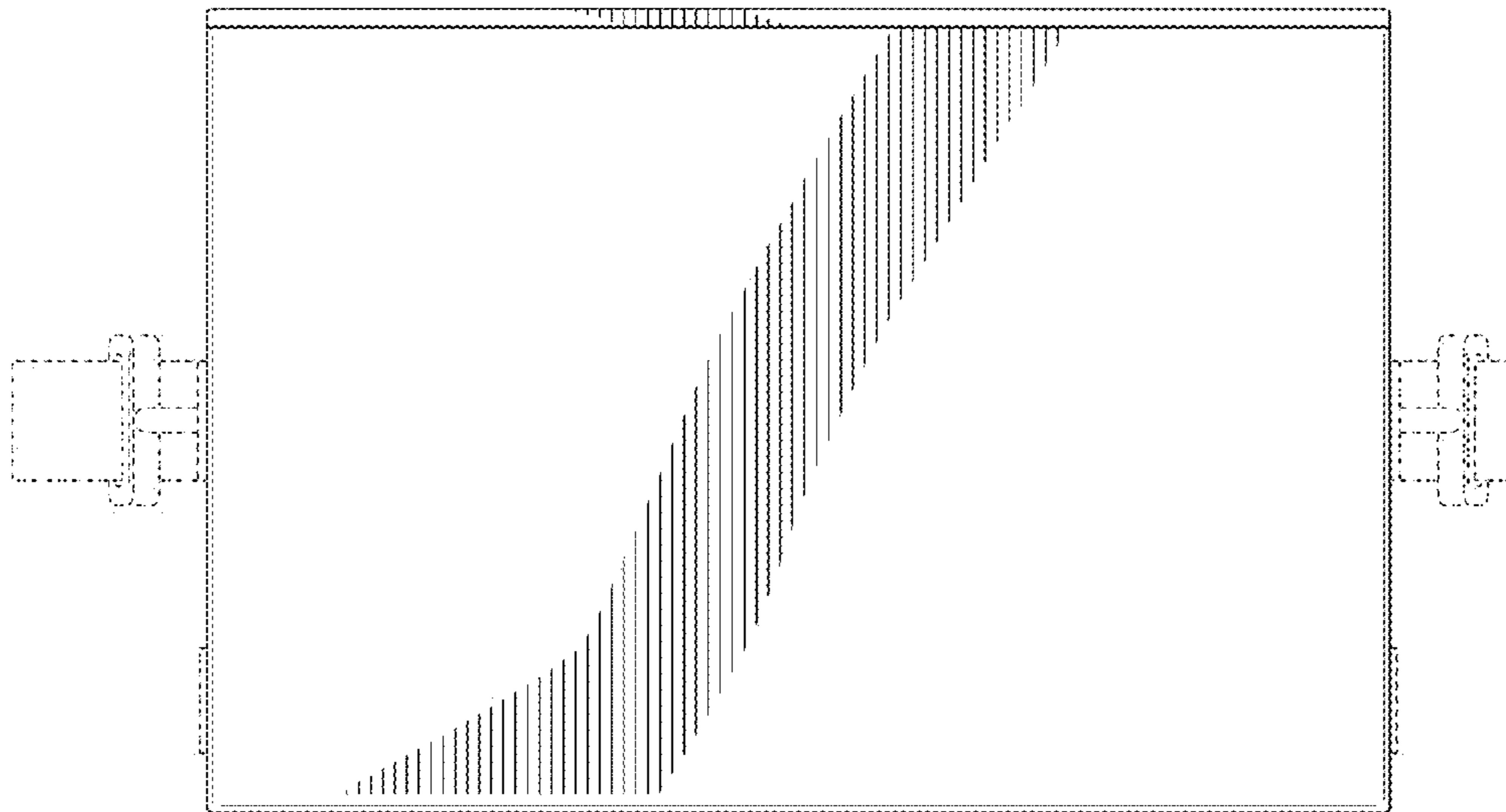


FIG. 12

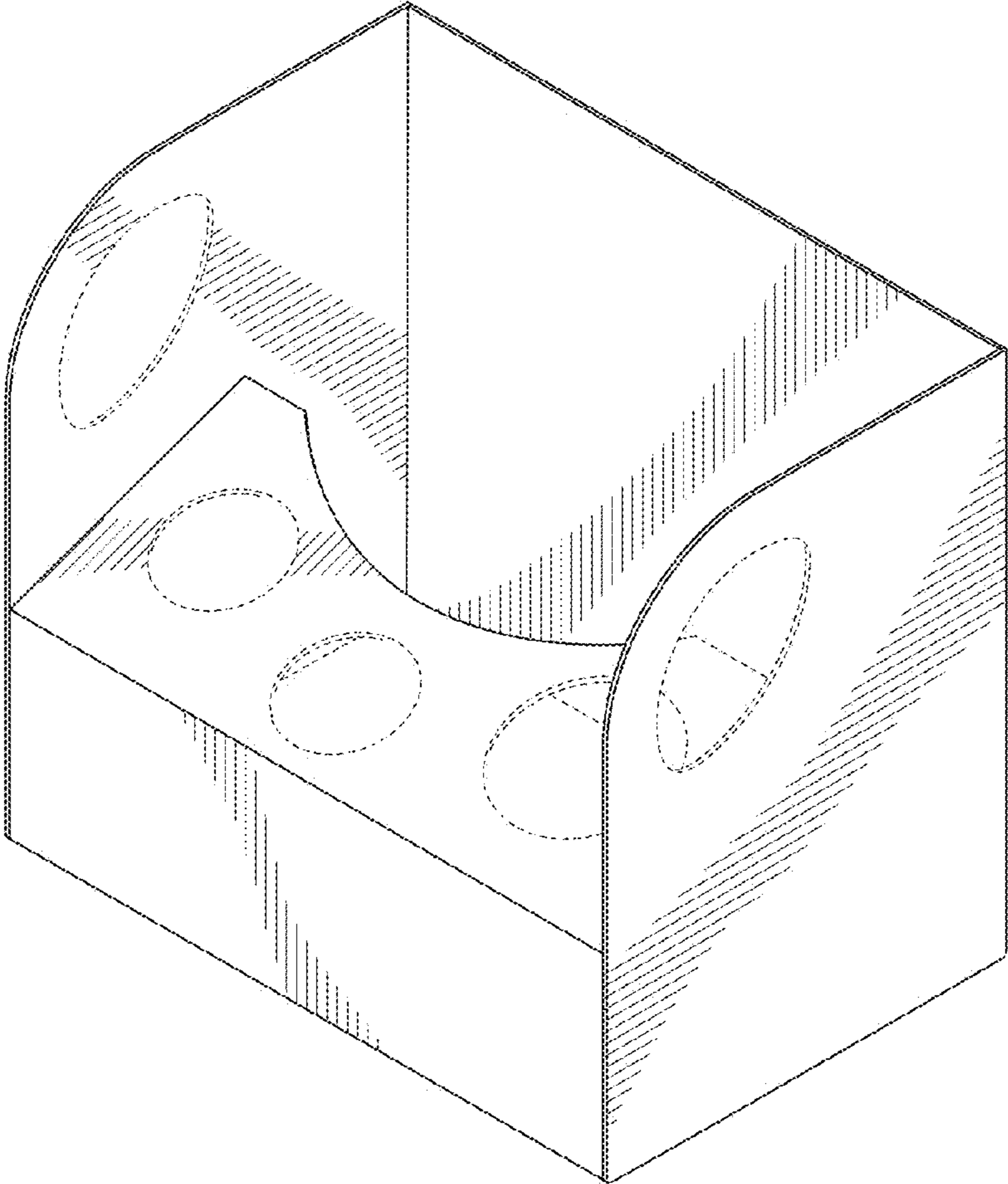


FIG. 13

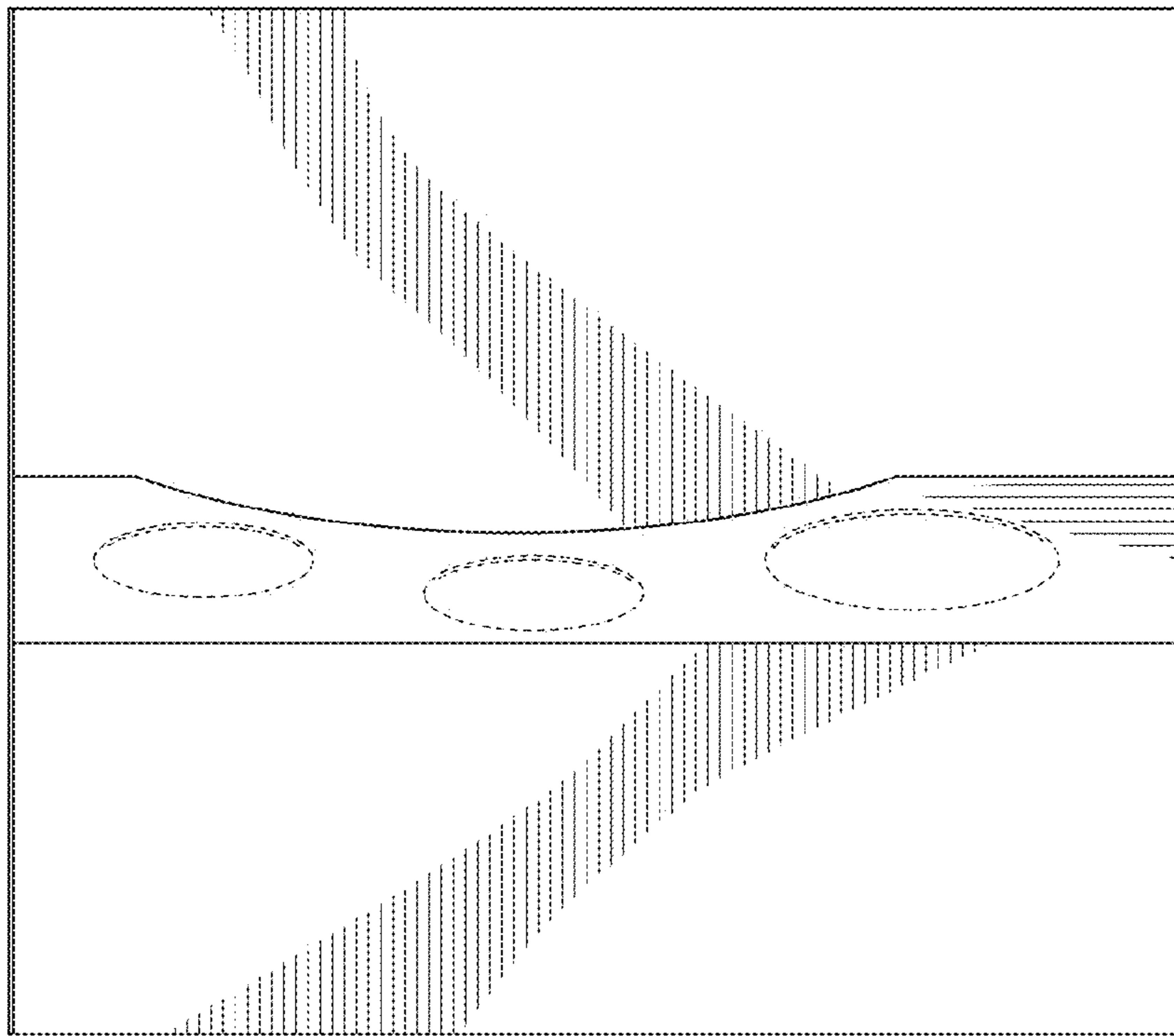


FIG. 14

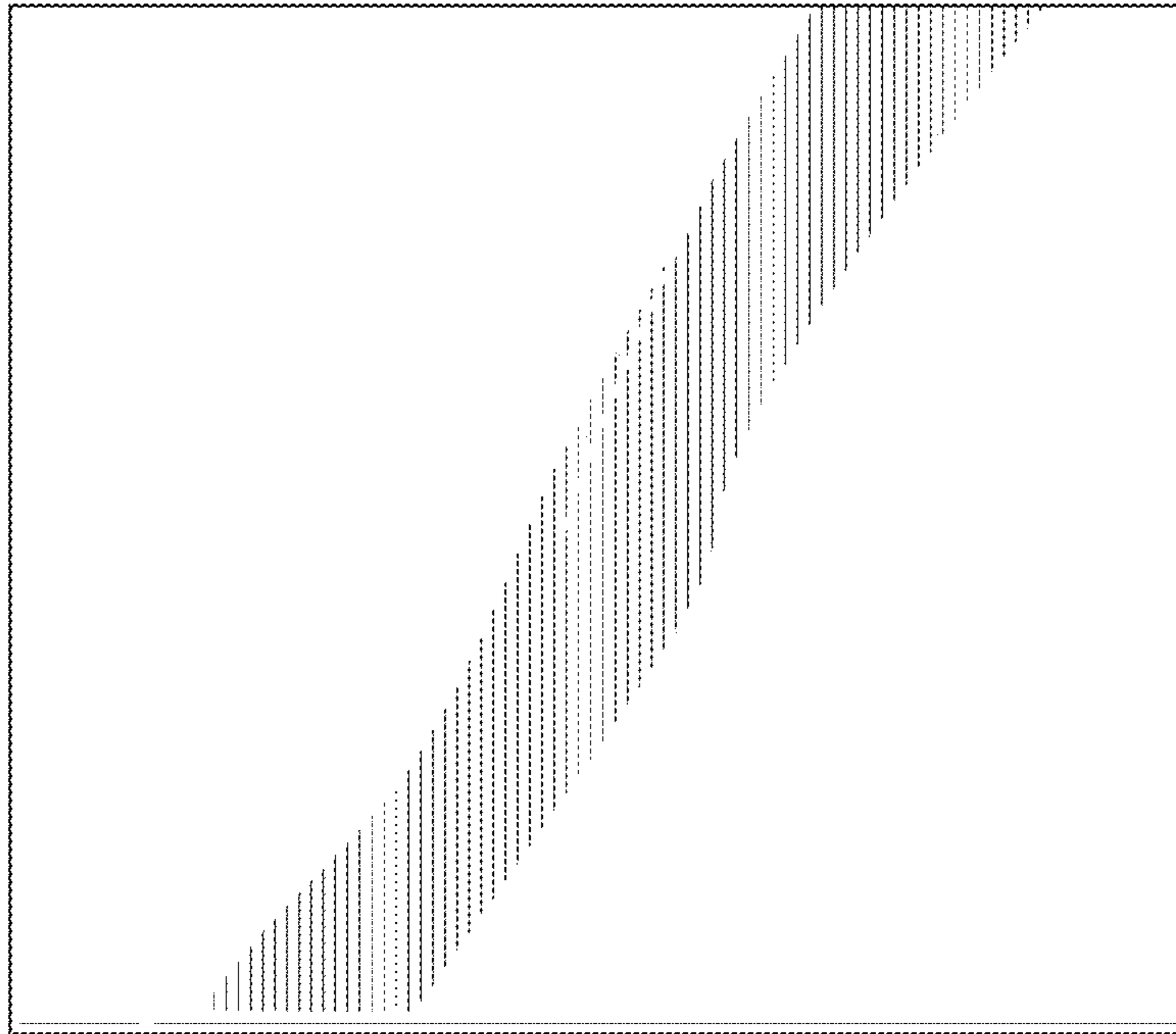


FIG. 15

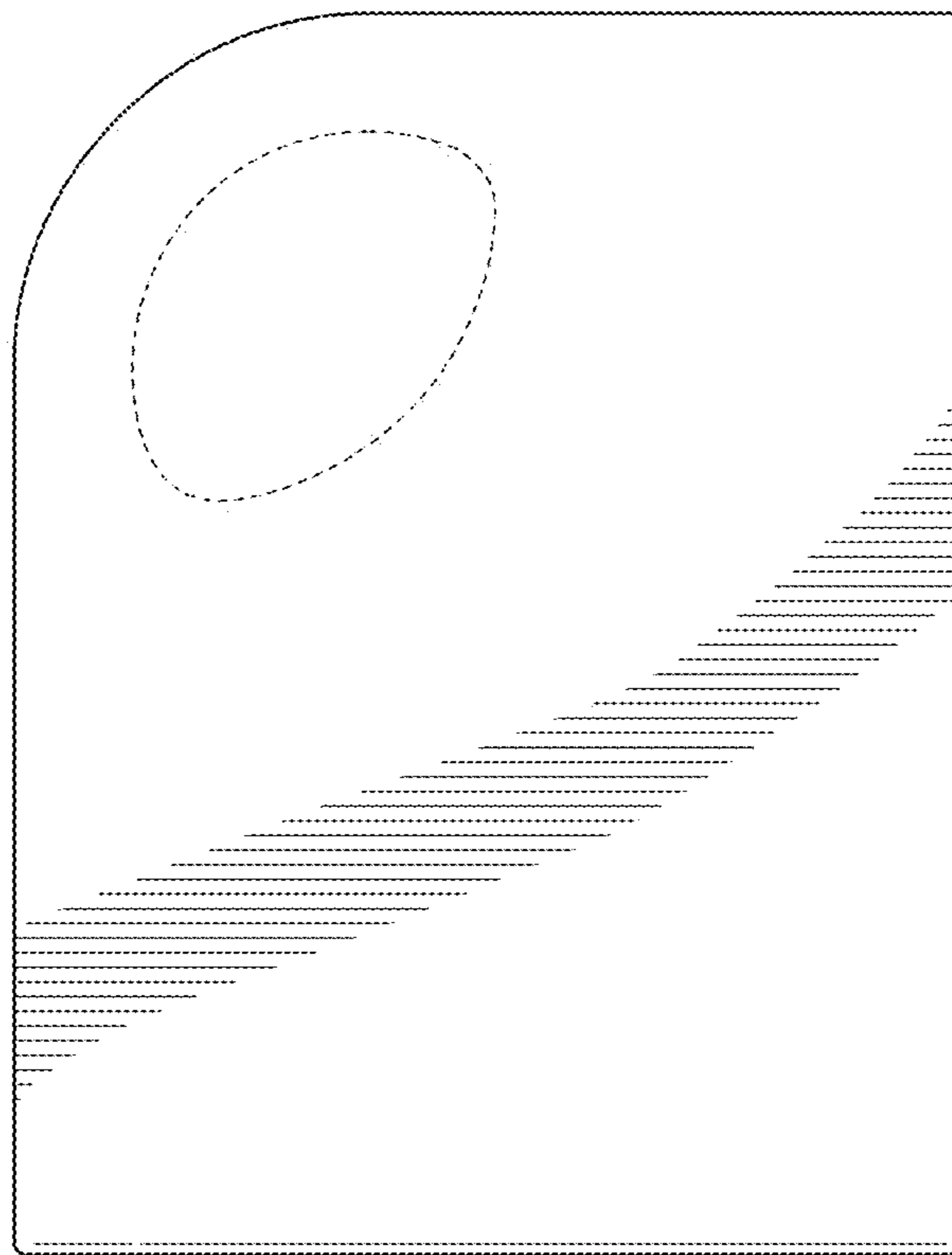


FIG. 16

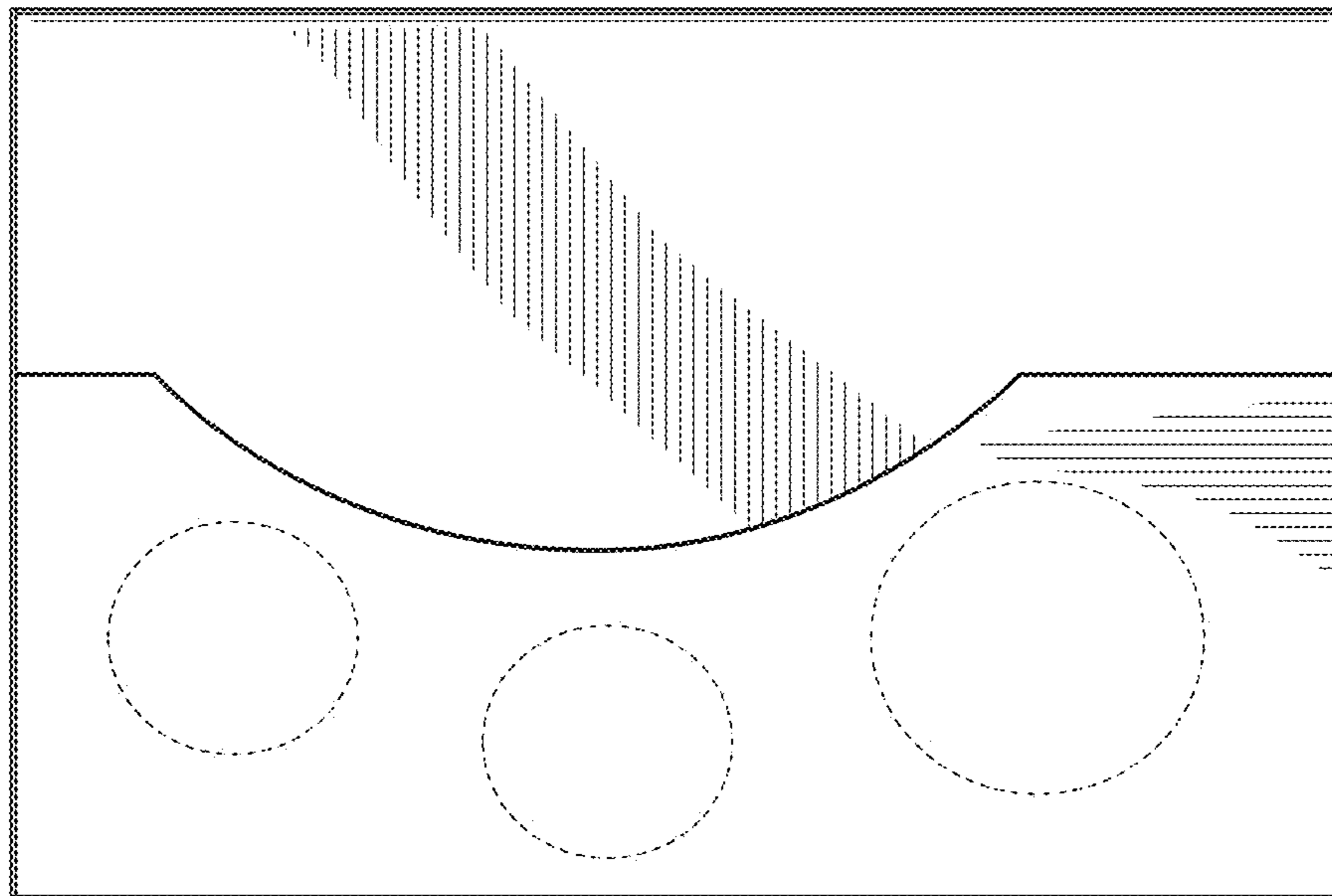


FIG. 17

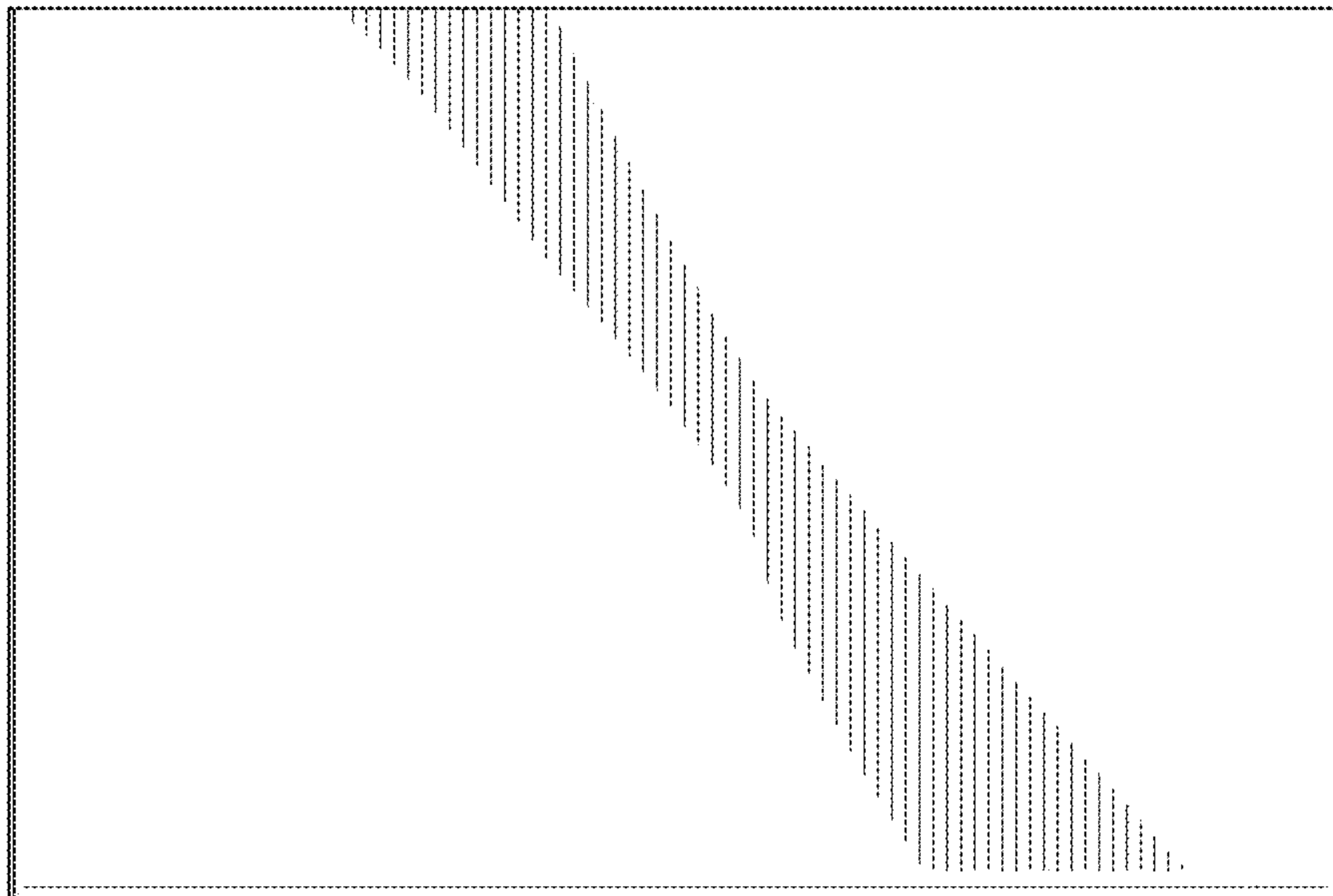


FIG. 18