



US00D681927S

(12) **United States Design Patent**  
**Gavrieli et al.**

(10) **Patent No.:** **US D681,927 S**

(45) **Date of Patent:** **\*\* May 14, 2013**

(54) **SPLIT-SOLE SHOE**

(71) Applicant: **Gavrieli Brands LLC**, Beverly Hills, CA (US)

(72) Inventors: **Kfir Gavrieli**, Los Angeles, CA (US);  
**Dikla Gavrieli**, Los Angeles, CA (US)

(73) Assignee: **Gavrieli Brands LLC**, Beverly Hills, CA (US)

(\*\*) Term: **14 Years**

(21) Appl. No.: **29/437,418**

(22) Filed: **Nov. 15, 2012**

**Related U.S. Application Data**

(63) Continuation of application No. 13/207,397, filed on Aug. 10, 2011.

(51) **LOC (9) Cl.** ..... **02-04**

(52) **U.S. Cl.**  
USPC ..... **D2/939**; D2/925

(58) **Field of Classification Search** ..... D2/896,  
D2/900, 919–921, 925–942, 946, 949, 950,  
D2/969, 971; 36/1, 83, 8.1–8.3, 9 R, 45–58,  
36/104, 108, 76 R

See application file for complete search history.

(56) **References Cited**

**U.S. PATENT DOCUMENTS**

1,525,848	A *	2/1925	Bonaventure	.....	36/8.3
D133,819	S *	9/1942	Harris	.....	D2/939
D149,685	S *	5/1948	Sandler	.....	D2/935
D150,729	S *	8/1948	Sandler	.....	D2/927
D166,090	S *	3/1952	Maling	.....	D2/897
D200,897	S *	4/1965	Mitchell	.....	D2/919

D247,396	S *	3/1978	Schlerth	.....	D2/939
D295,692	S *	5/1988	Zuidema et al.	.....	D2/950
D339,669	S *	9/1993	Miller	.....	D2/919
D457,292	S *	5/2002	Sessa	.....	D2/949
D500,191	S *	12/2004	Belley et al.	.....	D2/969
D527,513	S *	9/2006	Della Valle	.....	D2/919
D534,341	S *	1/2007	Choi	.....	D2/971
D593,295	S *	6/2009	Belley et al.	.....	D2/969
D593,297	S *	6/2009	Belley et al.	.....	D2/969
D593,307	S *	6/2009	Belley et al.	.....	D2/969
D599,093	S *	9/2009	Issler	.....	D2/971

\* cited by examiner

*Primary Examiner* — Dominic Simone

(74) *Attorney, Agent, or Firm* — Morgan, Lewis & Bockius LLP

(57) **CLAIM**

An ornamental design for a split-sole shoe, as shown and described.

**DESCRIPTION**

FIG. 1 is a perspective view of our new design of a split-sole shoe;

FIG. 2 is a first side view of the design of FIG. 1;

FIG. 3 is a second side view of the design of FIG. 1;

FIG. 4 is a top view of the design of FIG. 1;

FIG. 5 is a bottom view of the design of FIG. 1;

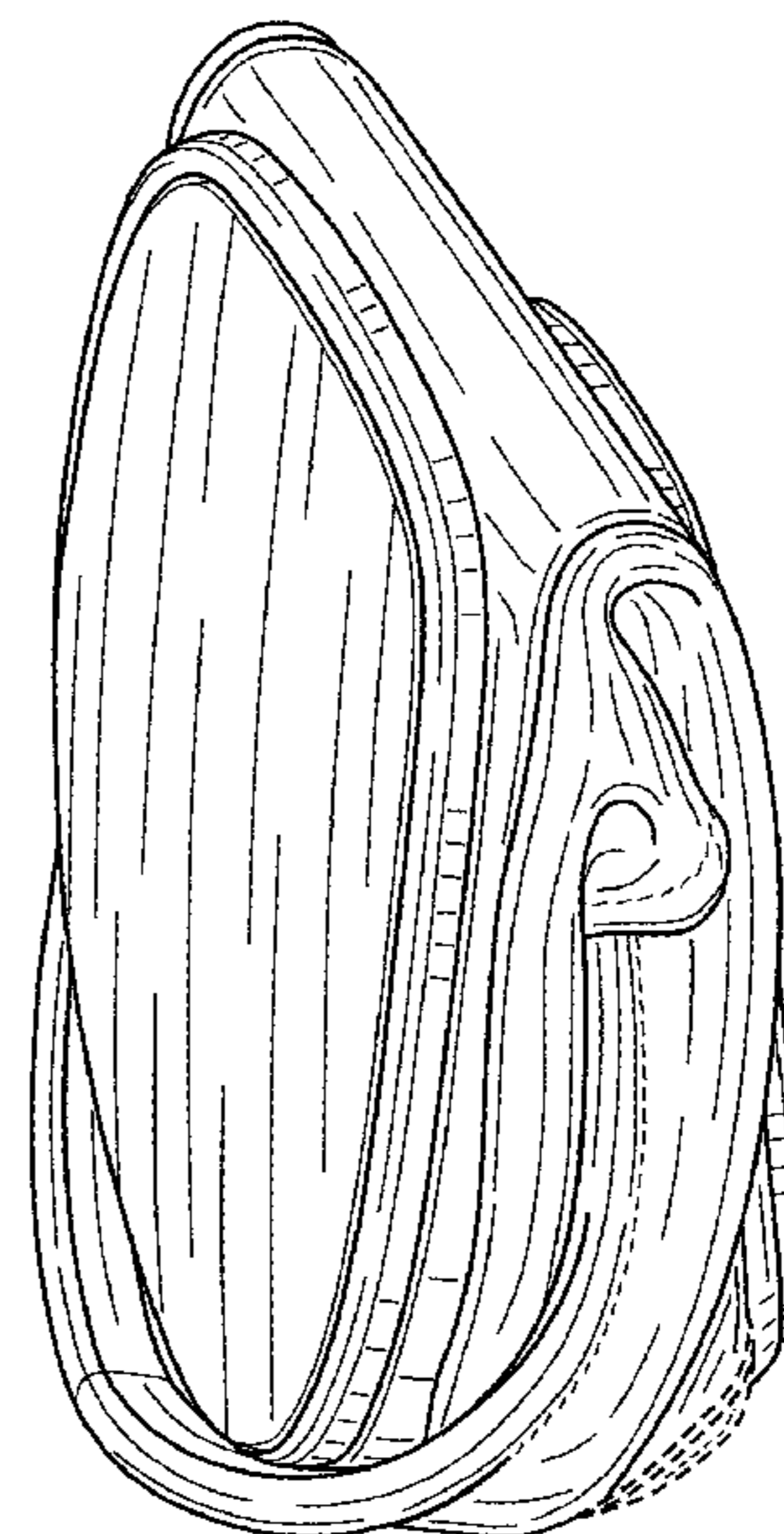
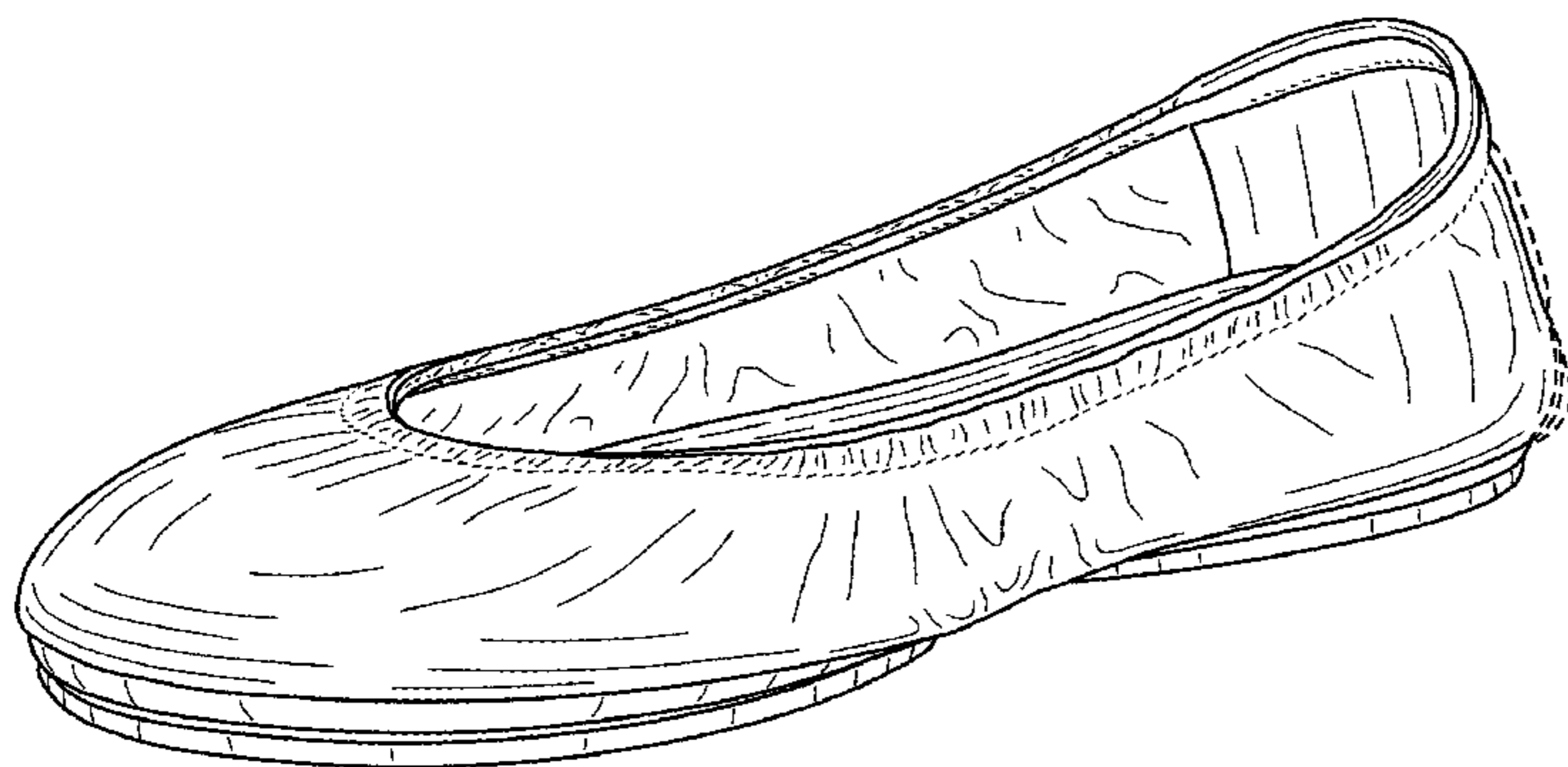
FIG. 6 is a front view of the design of FIG. 1;

FIG. 7 is a back view of the design of FIG. 1; and,

FIG. 8 is another perspective view of the design of FIG. 1, the perspective view illustrating the split-sole shoe when it is placed in a folded configuration.

The broken lines illustrating the stripe and half moon patch in the above described Figures are for illustrative purposes only and form no part of the claimed design.

**1 Claim, 7 Drawing Sheets**



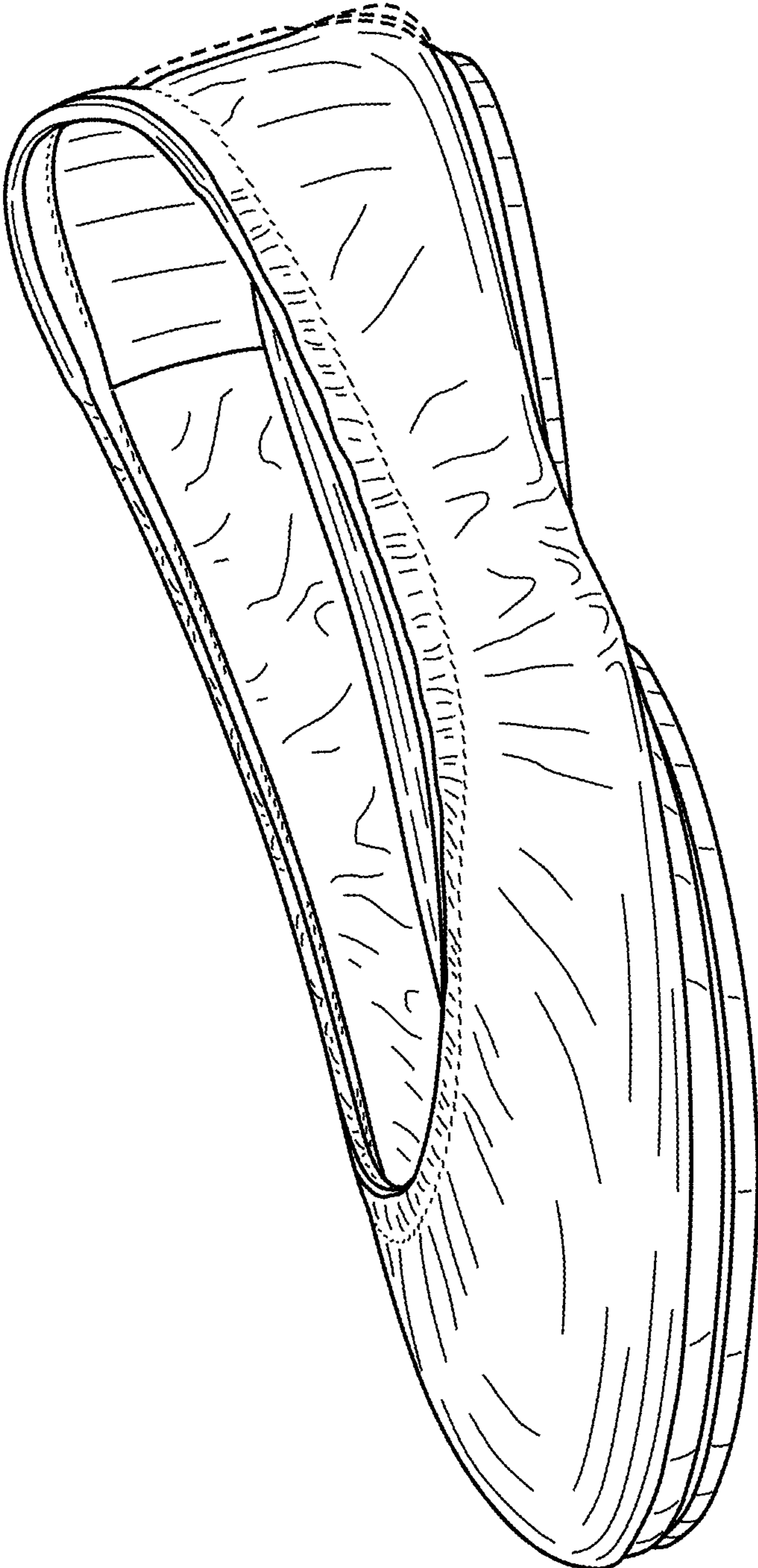


FIG. 1

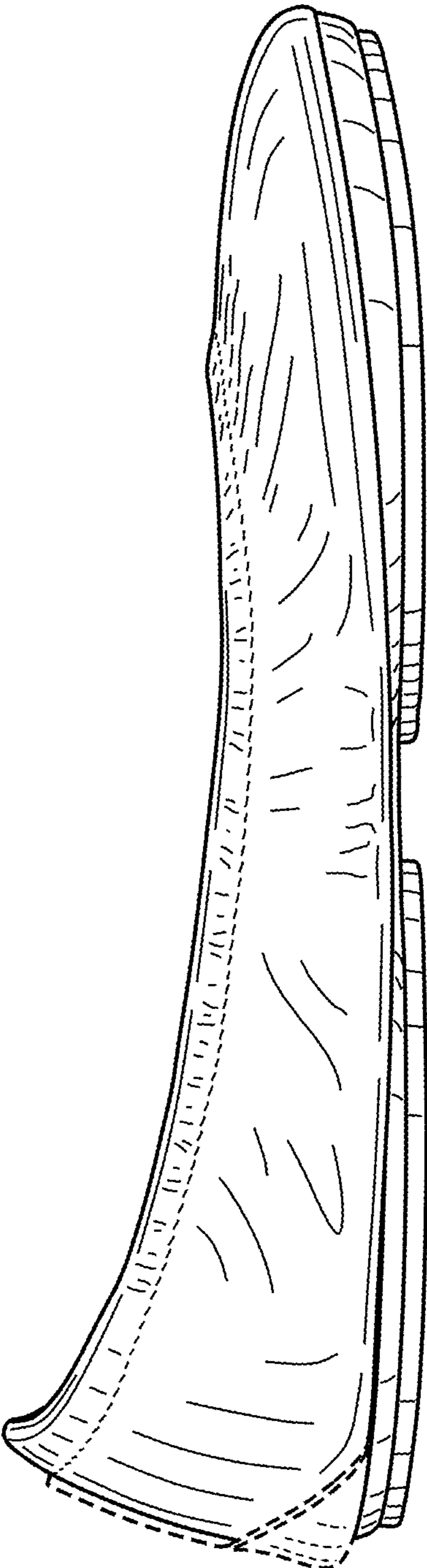


FIG. 2

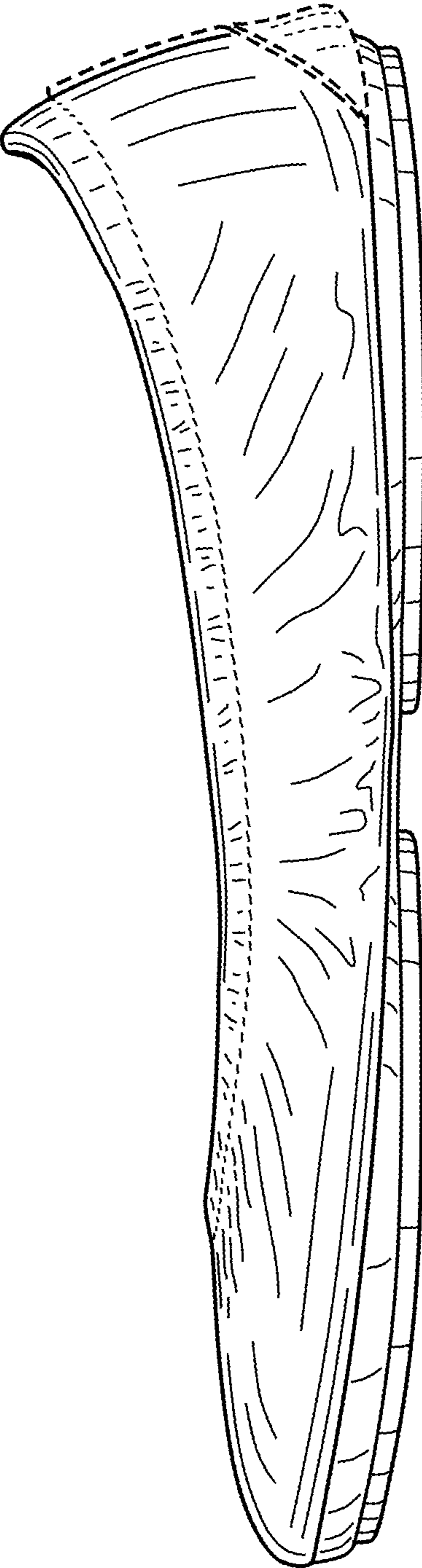


FIG. 3



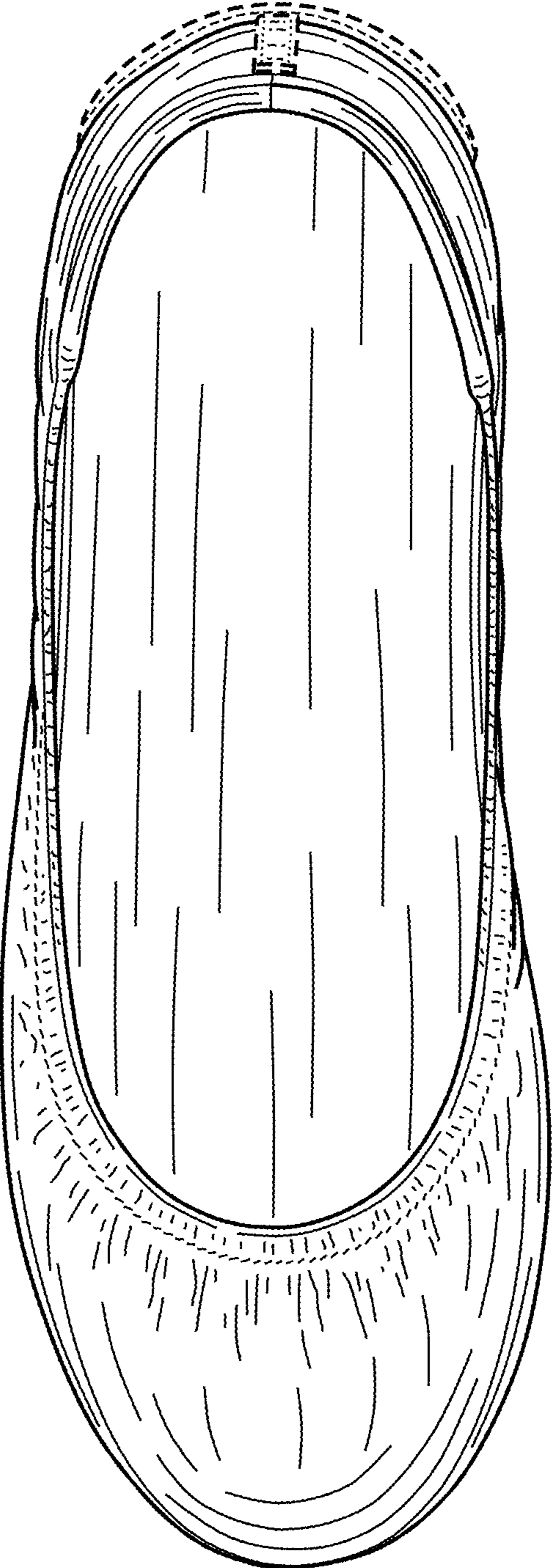


FIG. 4

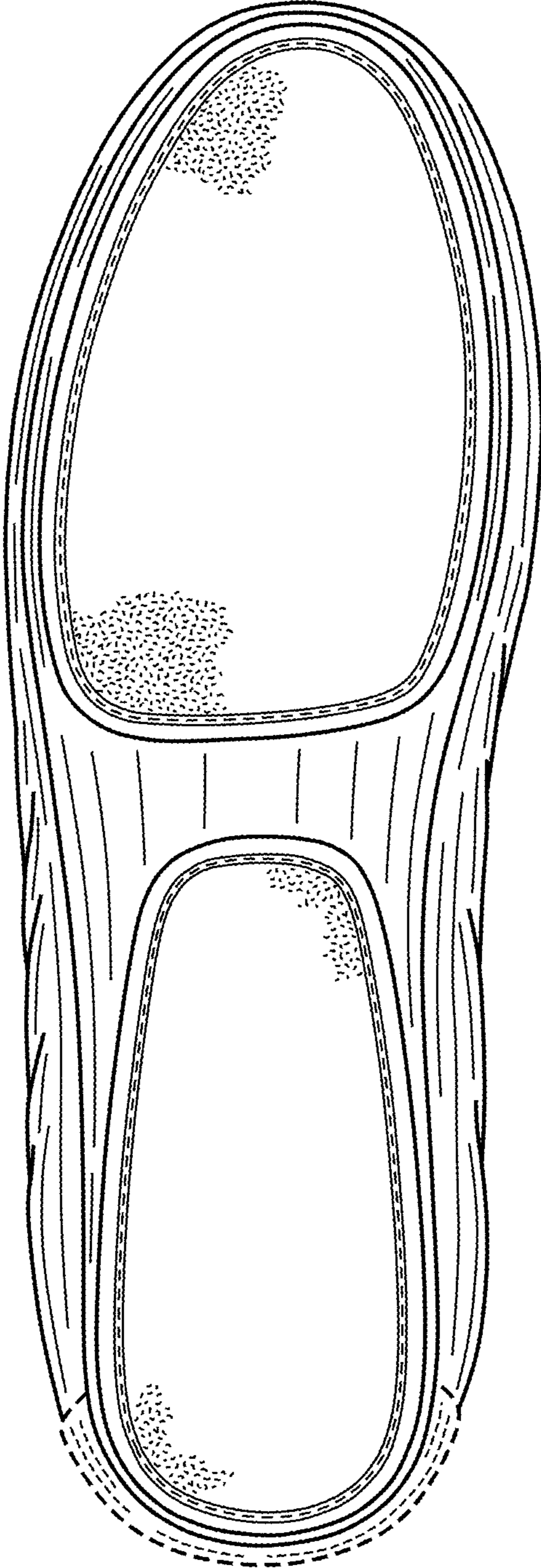


FIG. 5

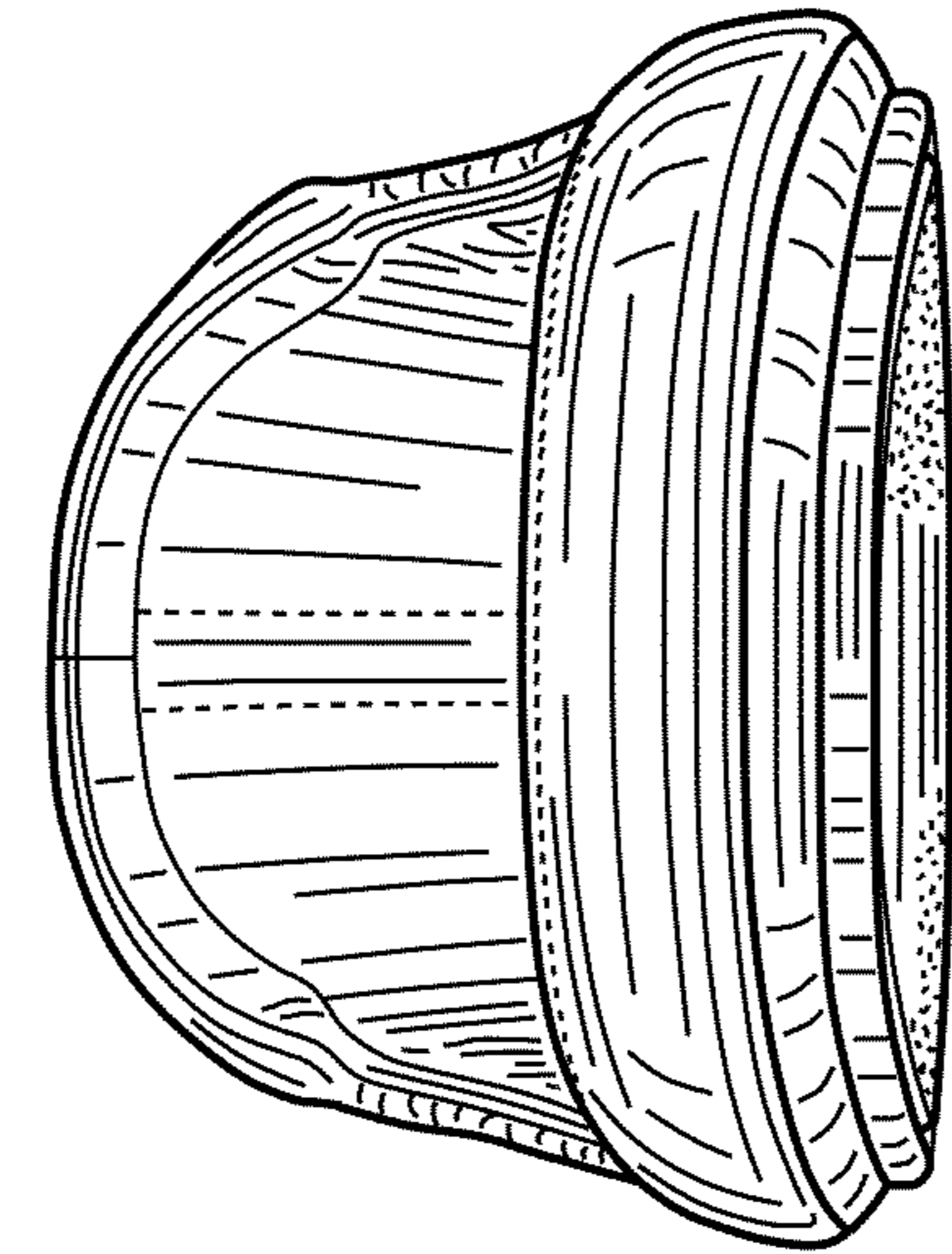


FIG. 6

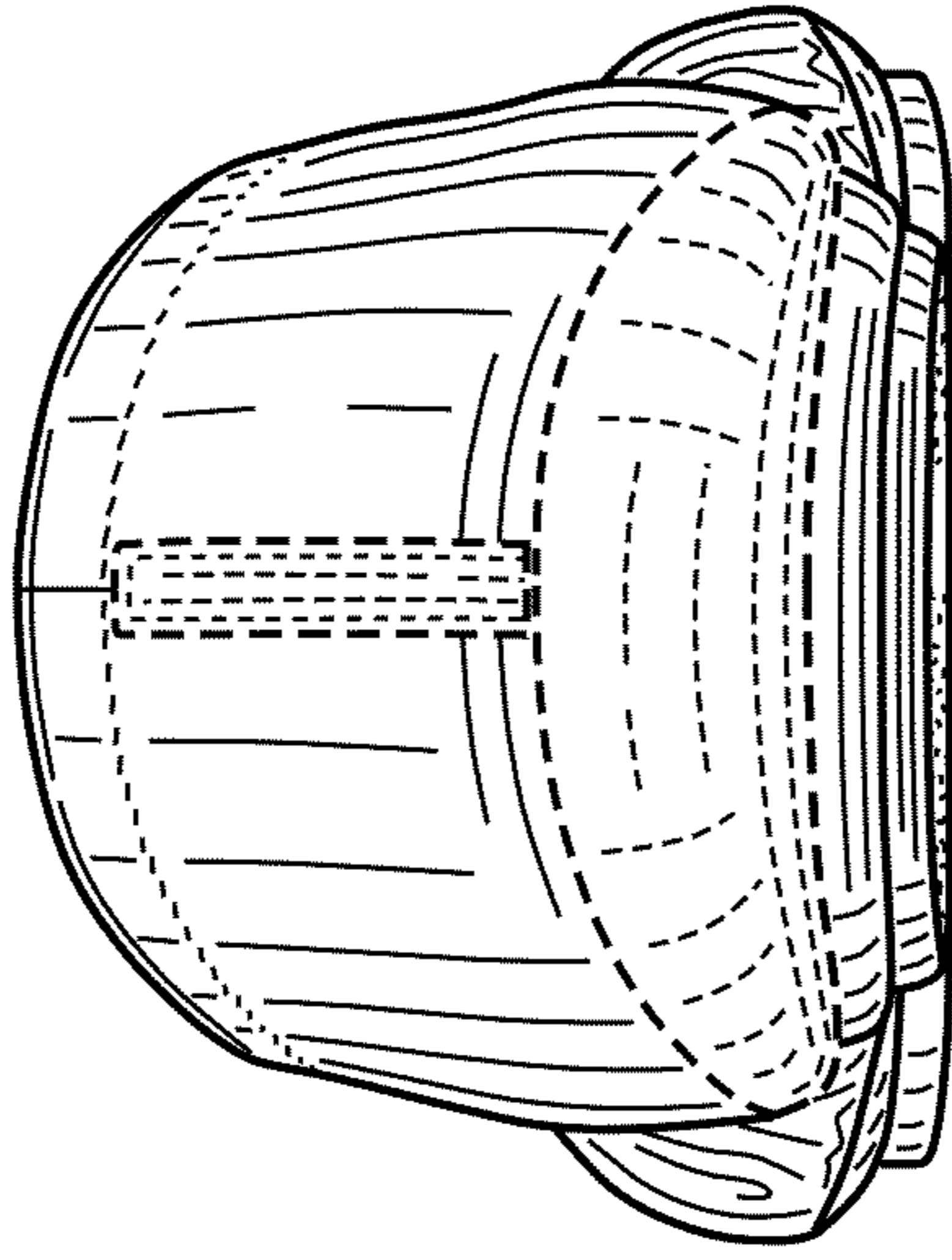


FIG. 7

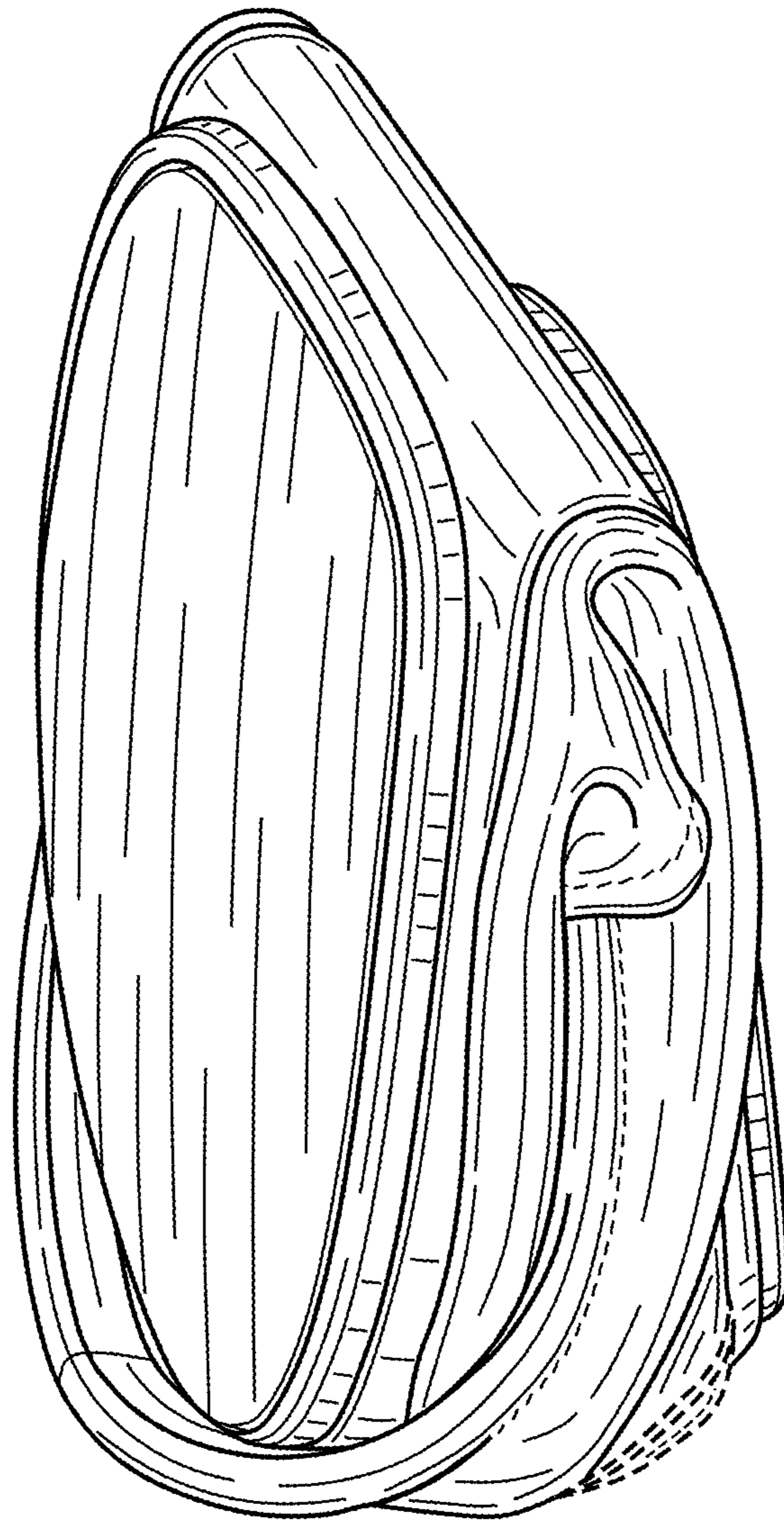


FIG. 8