



US00D681920S

(12) **United States Design Patent**
Escoto

(10) **Patent No.:** **US D681,920 S**

(45) **Date of Patent:** **** May 14, 2013**

(54) **JACKET WITH SADDLE BAG**

(76) Inventor: **Roland Escoto**, Los Angeles, CA (US)

(**) Term: **14 Years**

(21) Appl. No.: **29/376,161**

(22) Filed: **Oct. 1, 2010**

(51) **LOC (9) Cl.** **02-02**

(52) **U.S. Cl.**
USPC **D2/839; D3/231**

(58) **Field of Classification Search** D2/828,
D2/830, 839, 750; 2/90, 93, 96, 98, 101;
D3/231

See application file for complete search history.

(56) **References Cited**

U.S. PATENT DOCUMENTS

D154,816 S *	8/1949	Steck	D3/231
D278,225 S	4/1985	Heiman et al.		
D292,847 S	11/1987	Barker		
D310,905 S	10/1990	Marchione		
D355,752 S *	2/1995	Abbott	D2/857
D365,322 S	12/1995	Hrib		
D386,887 S *	12/1997	Hambas	D2/830
6,010,050 A	1/2000	Tarr		
6,182,296 B1	2/2001	Hosogai		
D522,214 S	6/2006	Noell		
D578,736 S	10/2008	Lim		
D580,128 S *	11/2008	Broudy	D2/839
7,500,273 B2	3/2009	Dana		
D611,680 S *	3/2010	Thomas	D2/830
D620,233 S *	7/2010	Broudy	D2/839
D623,382 S *	9/2010	Hodgson	D2/829
D639,528 S *	6/2011	Kolb	D2/828

OTHER PUBLICATIONS

Kevin's Fine Outdoor Gear and Apparel. <http://www.kevincatalog.com/Saddle-Bag-Briefcase/productinfo/56-5102/>. Date Unknown: Viewed Sep. 2012. "Saddle Bag Briefcase".*

Outfitters Supply. <http://www.outfitterssupply.com/Cavalry-Saddle-Bags-Full-Size/productinfo/WSB101/>. Copyright 2012. "Cavalry Saddle Bag".*

Cochise Leather Company. <http://www.cochiseleather.com/leather-saddlebags-cavalry-style-with-spots-.aspx>. Jan. 2011. "SB-1800 Cavalry Style with Spots Leather Saddlebags".*

Madri Custom Leather Works. <http://www.madrileatherworks.com/custom-leather-saddle-and-pommel-bags.htm>. Date Unknown: Viewed Sep. 2012.*

* cited by examiner

Primary Examiner — Rashida Johnson

(74) *Attorney, Agent, or Firm* — John K. Fitzgerald; Fulwider Patton LLP

(57) **CLAIM**

The ornamental design for a jacket with saddlebag, as shown and described.

DESCRIPTION

FIG. 1 is a front view of a jacket with saddlebag showing the new design;

FIG. 2 is a rear view of FIG. 1;

FIG. 3 is an enlarged right side elevation view thereof; the saddlebag shown removed from the jacket; and,

FIG. 4 is an enlarged left side elevation view thereof, the saddlebag shown removed from the jacket.

The broken lines in FIGS. 1 and 2 represent the portions of the jacket with saddlebag, which form no part of the claimed design.

1 Claim, 2 Drawing Sheets

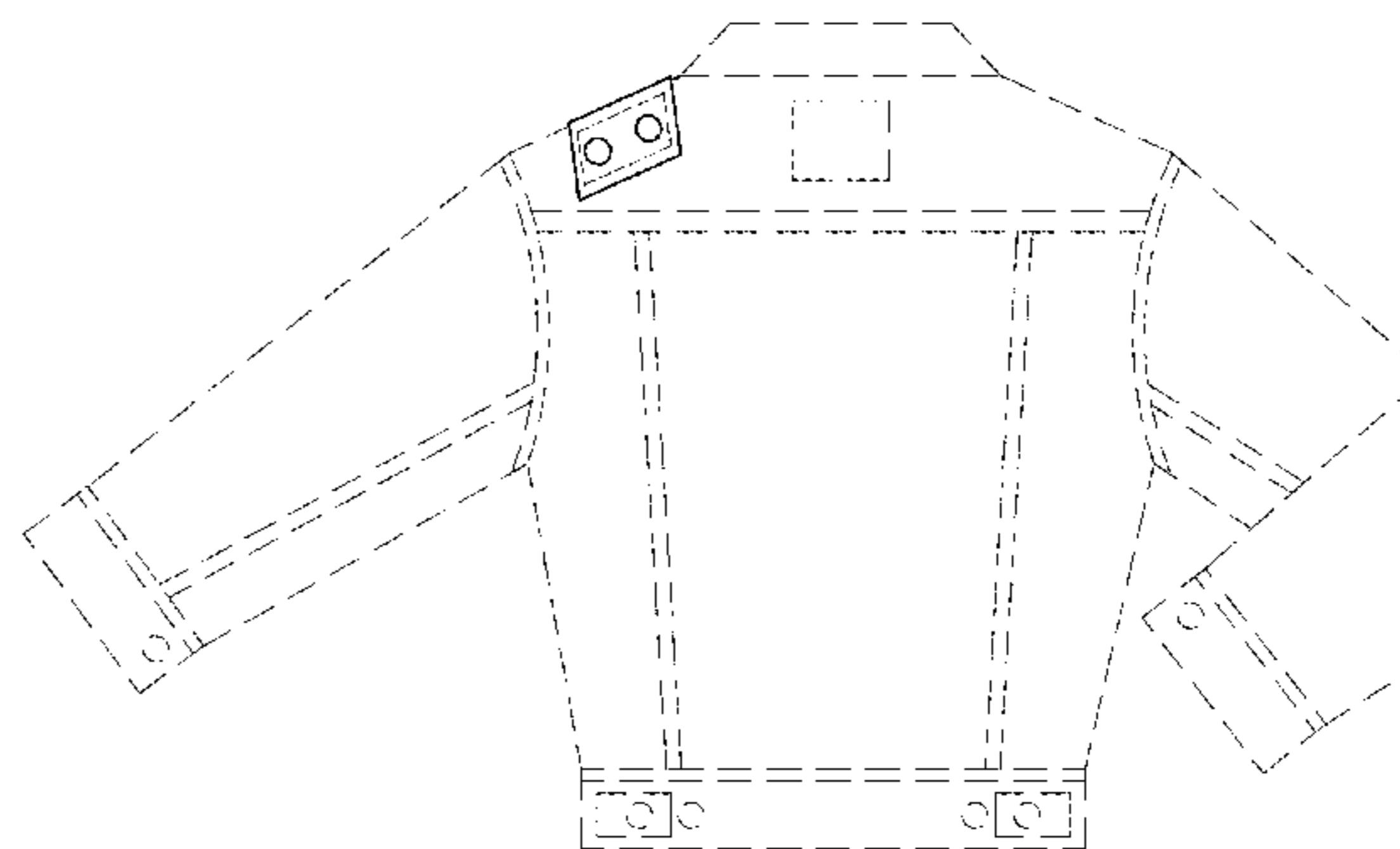
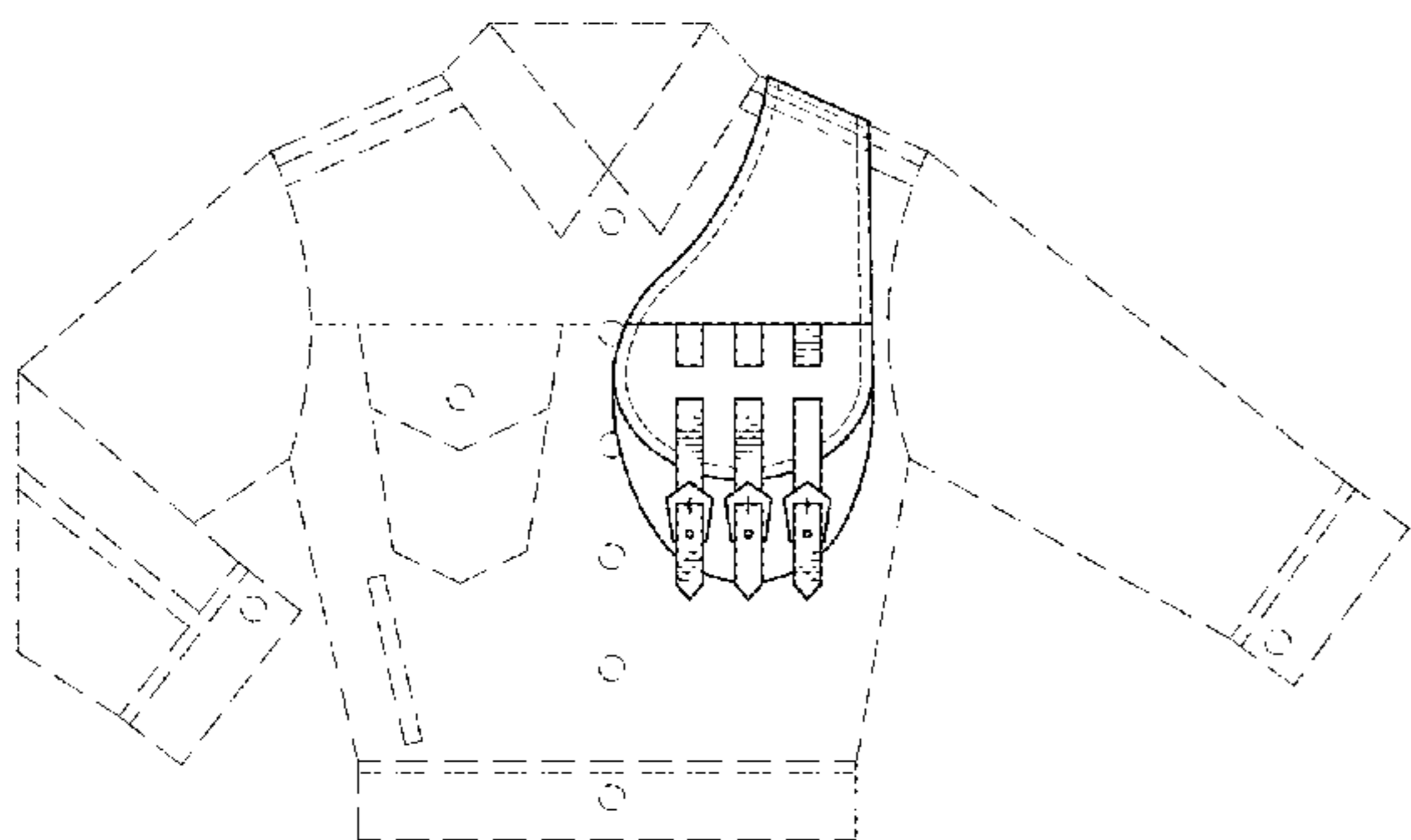


FIG. 1

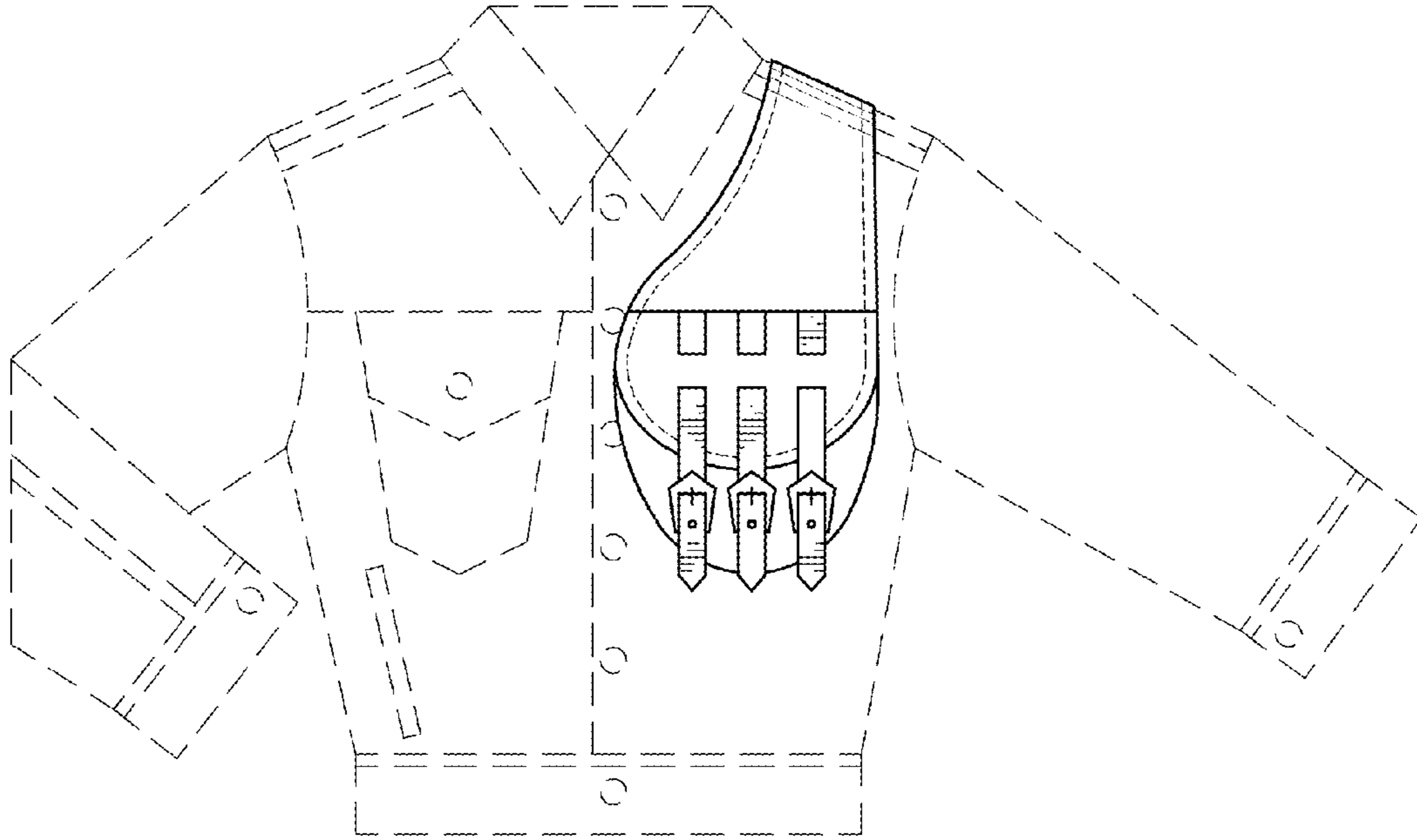
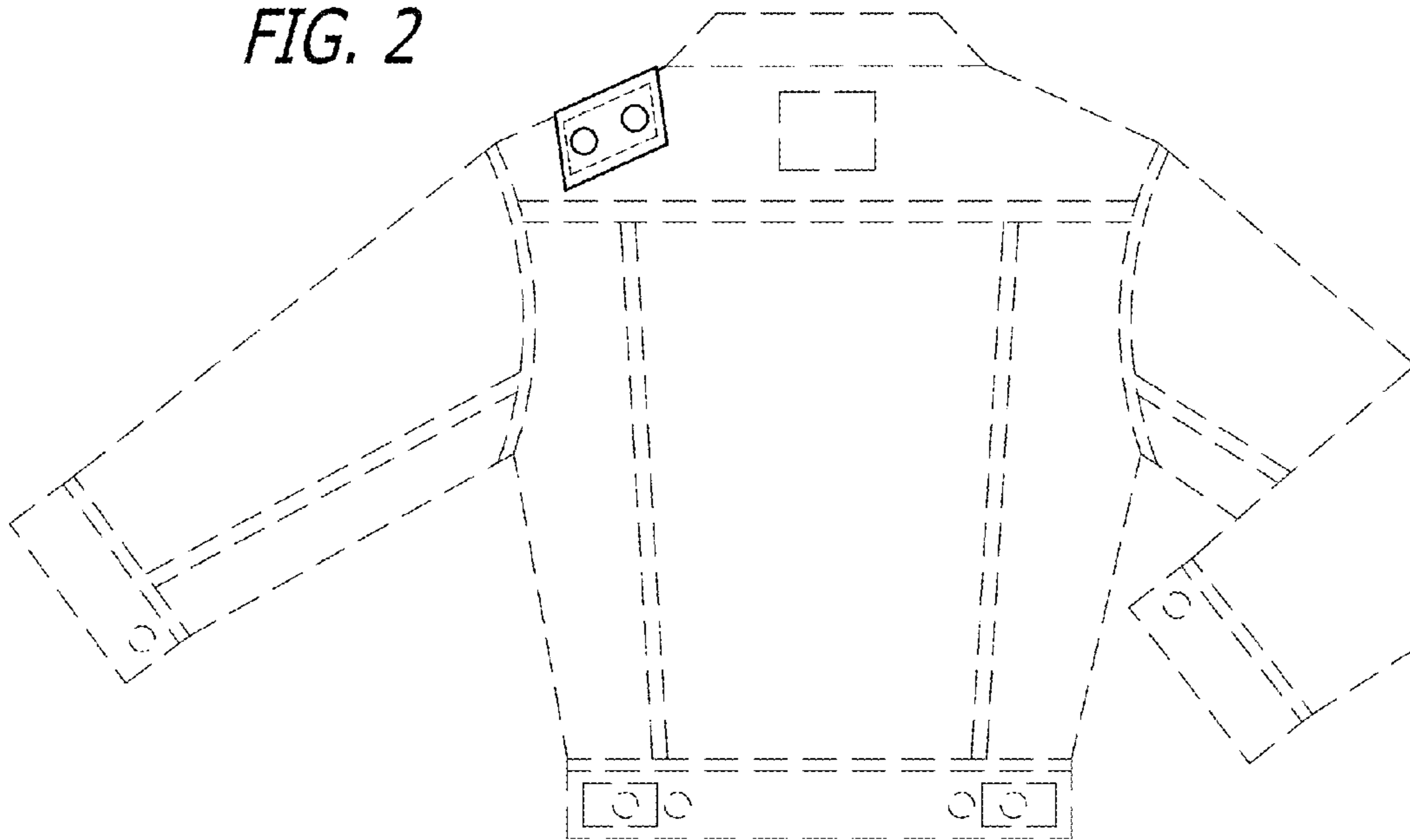


FIG. 2



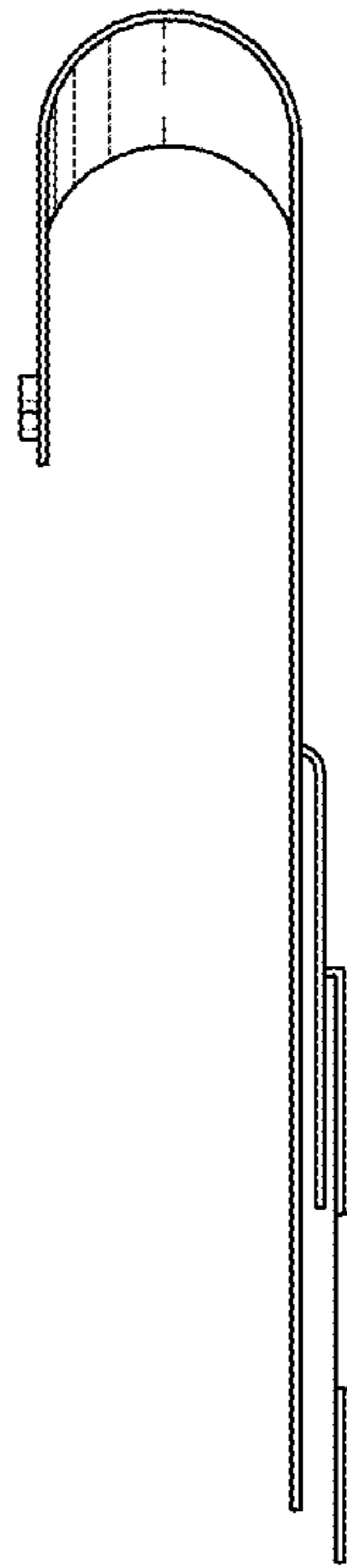


FIG. 3

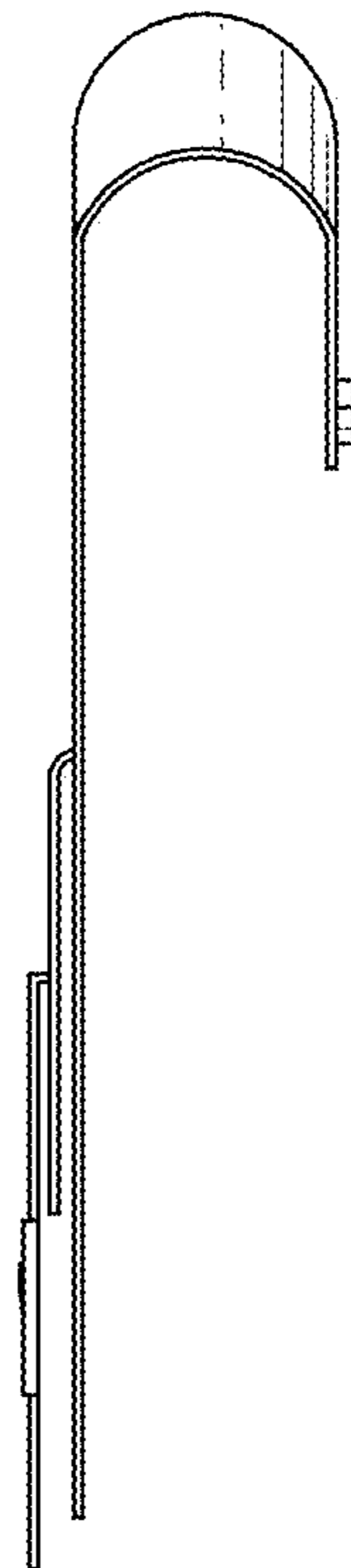


FIG. 4