



US00D681917S

(12) **United States Design Patent**
Mercer

(10) **Patent No.:** **US D681,917 S**
(45) **Date of Patent:** **** May 14, 2013**

- (54) **ZIPPERED POLKA DOT PANTS**
- (76) Inventor: **Judith Mercer**, Stanford, KY (US)
- (**) Term: **14 Years**
- (21) Appl. No.: **29/429,312**
- (22) Filed: **Aug. 9, 2012**
- (51) **LOC (9) Cl.** **02-02**
- (52) **U.S. Cl.**
USPC **D2/742**
- (58) **Field of Classification Search** D2/712,
D2/713, 731, 732, 737, 738, 742, 743, 747,
D2/748, 857, 983; 2/79, 227, 228, 235-238,
2/400, 403, 406, 247
See application file for complete search history.

- (56) **References Cited**
U.S. PATENT DOCUMENTS
- 1,691,057 A * 11/1928 Greilich 2/227
- D165,659 S * 1/1952 Maron D2/712
- D230,909 S * 3/1974 Avrich D2/748
- D231,155 S 4/1974 Bowcut
- D255,168 S 6/1980 Taylor
- D261,323 S 10/1981 Cartron
- D567,477 S 4/2008 Smith
- D571,536 S 6/2008 Huen
- D580,126 S * 11/2008 Rieder D2/742

- D597,281 S * 8/2009 Young D2/738
- D597,282 S * 8/2009 Smith et al. D2/742
- D616,630 S 6/2010 Christiansen
- D668,434 S * 10/2012 Iamartino D2/742
- D672,936 S * 12/2012 Hutton D2/742
- 2006/0185065 A1 * 8/2006 Allen 2/237
- 2007/0214547 A1 * 9/2007 Mullen 2/227
- 2012/0304361 A1 * 12/2012 Jeffords 2/227

* cited by examiner

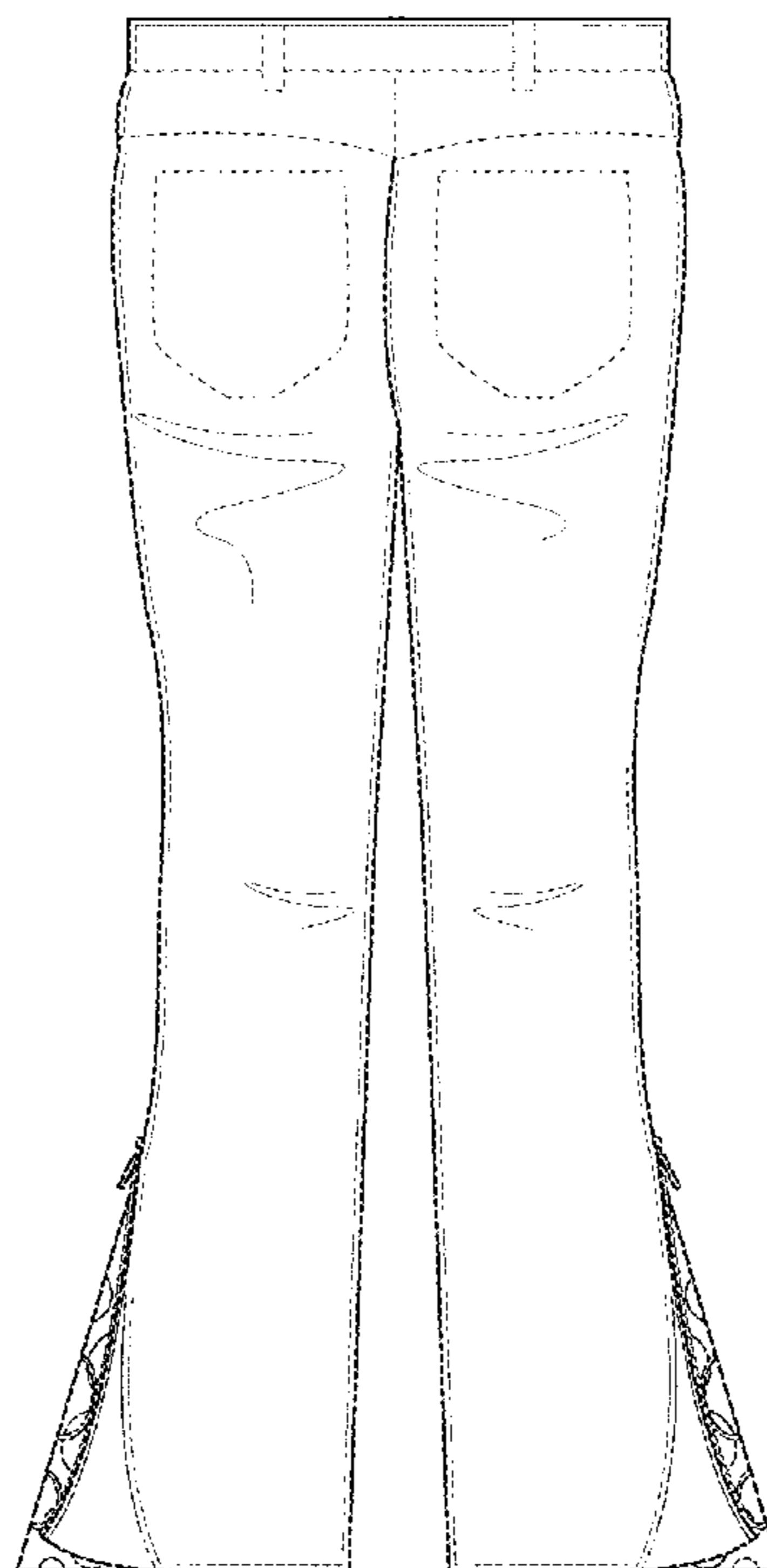
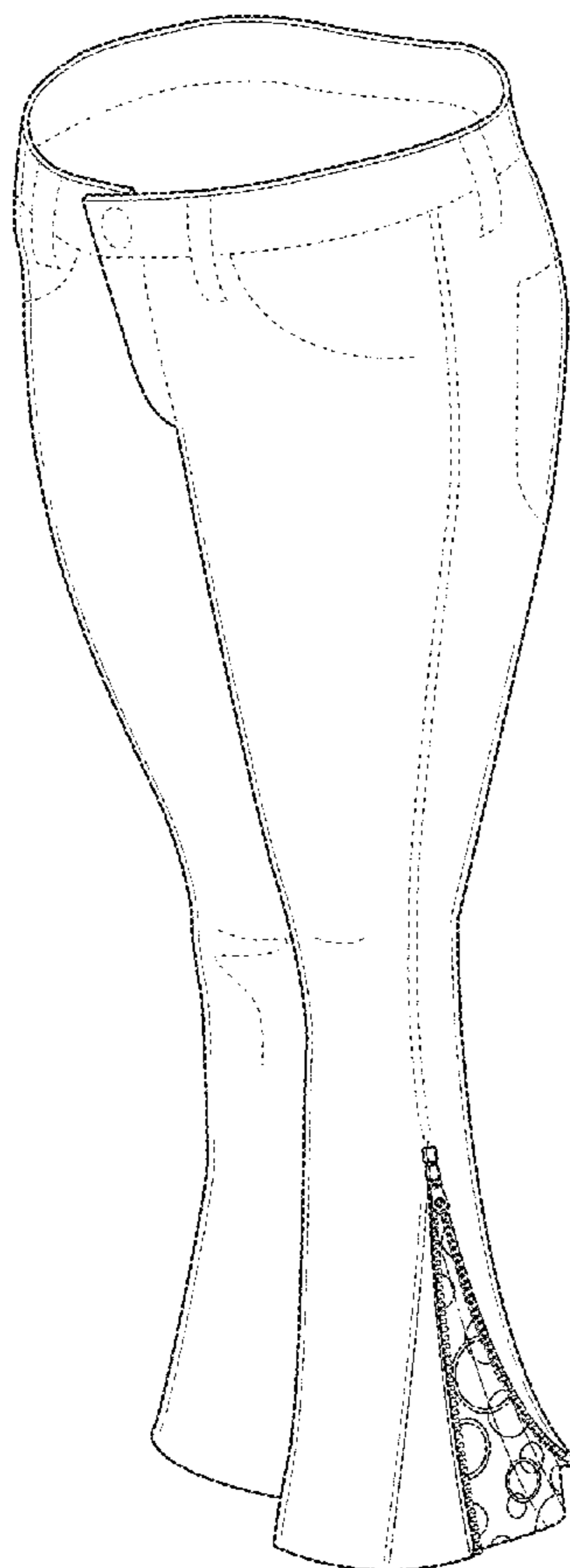
Primary Examiner — Rashida Johnson
(74) *Attorney, Agent, or Firm* — Daniel Boudwin

(57) **CLAIM**
The ornamental design for a zippered polka dot pants, as shown and described.

DESCRIPTION

FIG. 1 is a frontal perspective view of the present invention. FIG. 2 is a frontal view of the present invention. FIG. 3 is a rear view of the present invention. FIG. 4 is a first side view of the present invention. FIG. 5 is a second side view of the present invention. FIG. 6 is a top plan view of the present invention; and, FIG. 7 is a bottom plan view of the present invention. The broken lines in FIGS. 1-7 represent the portions of the pants, which form no part of the claim.

1 Claim, 4 Drawing Sheets



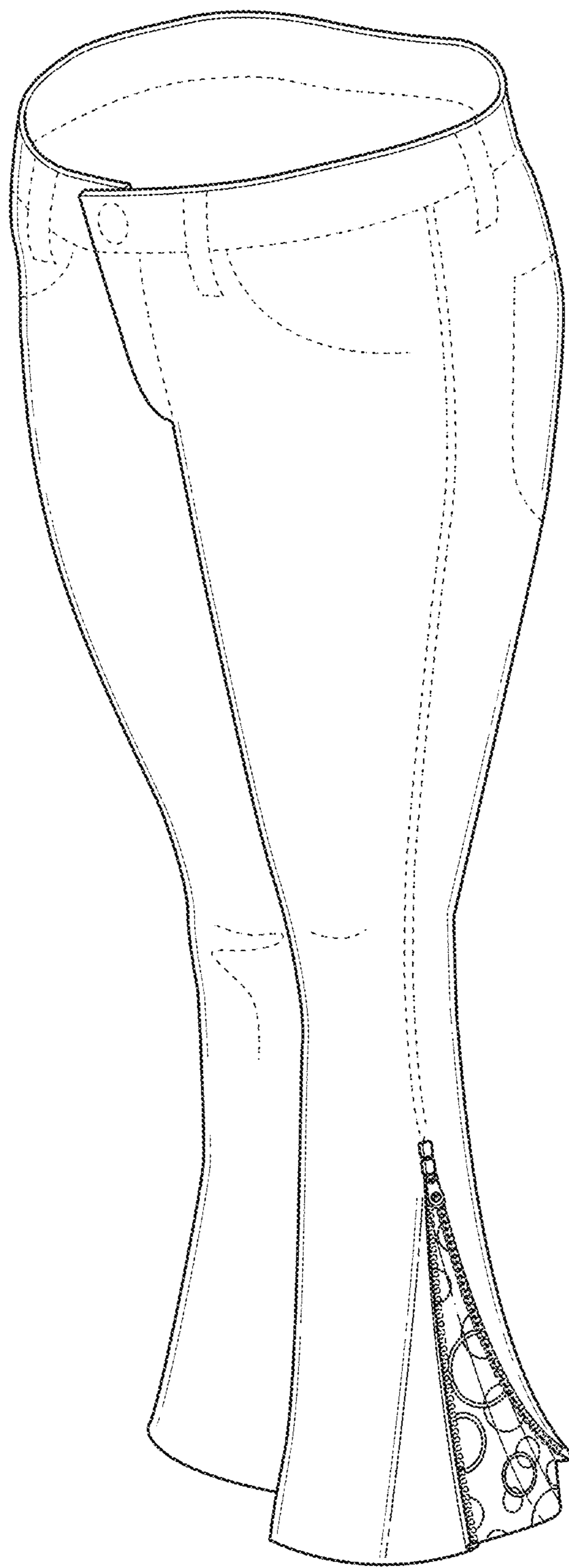


FIG. 1

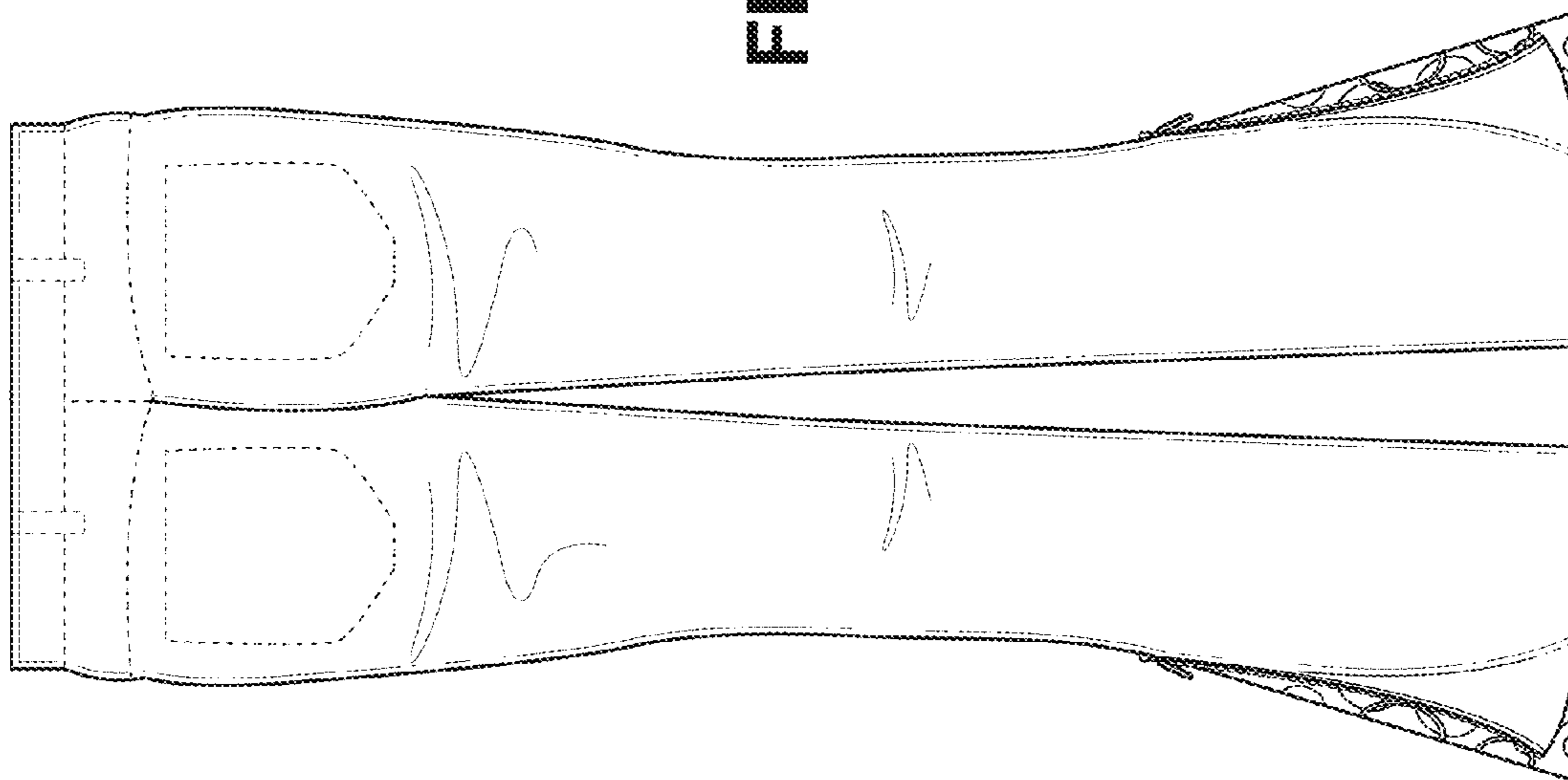


FIG. 3

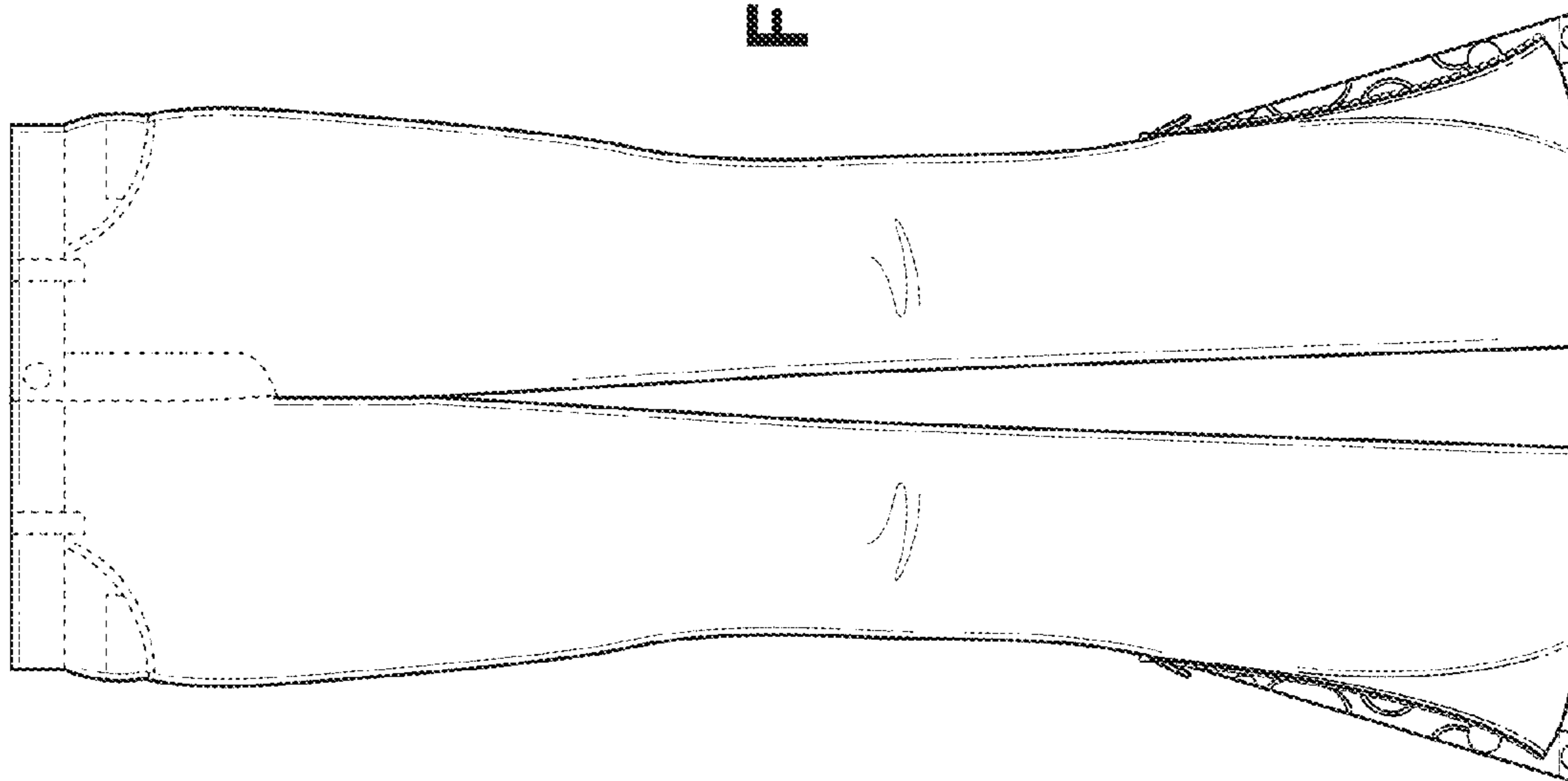


FIG. 2

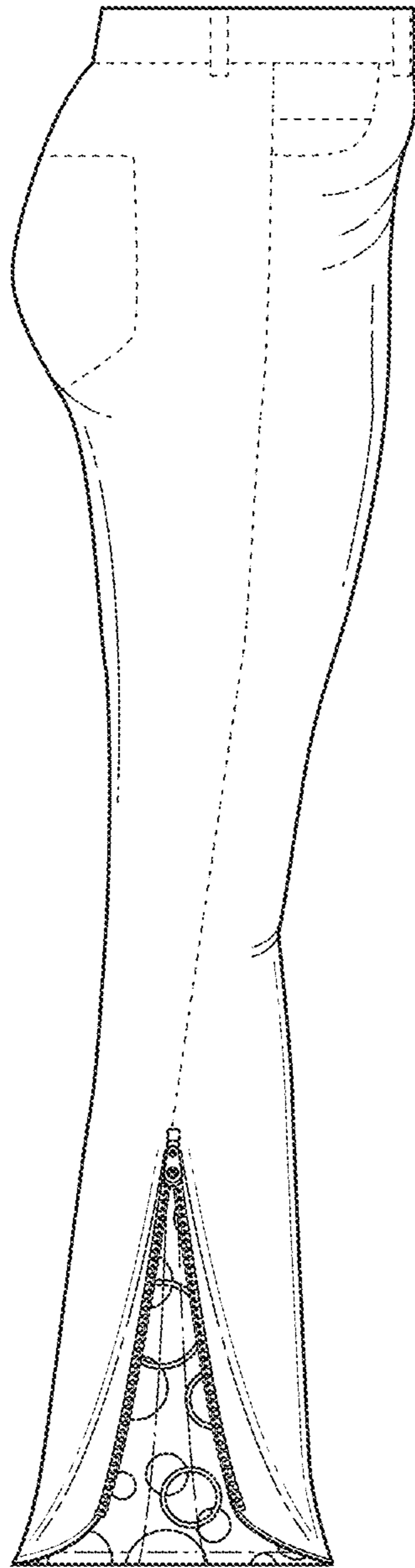


FIG. 4

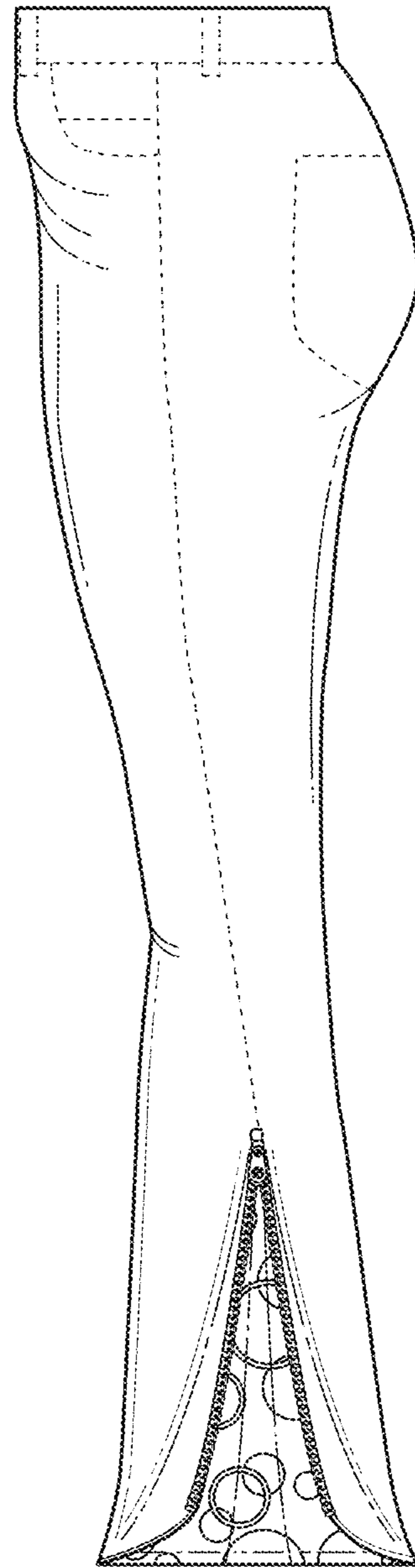


FIG. 5

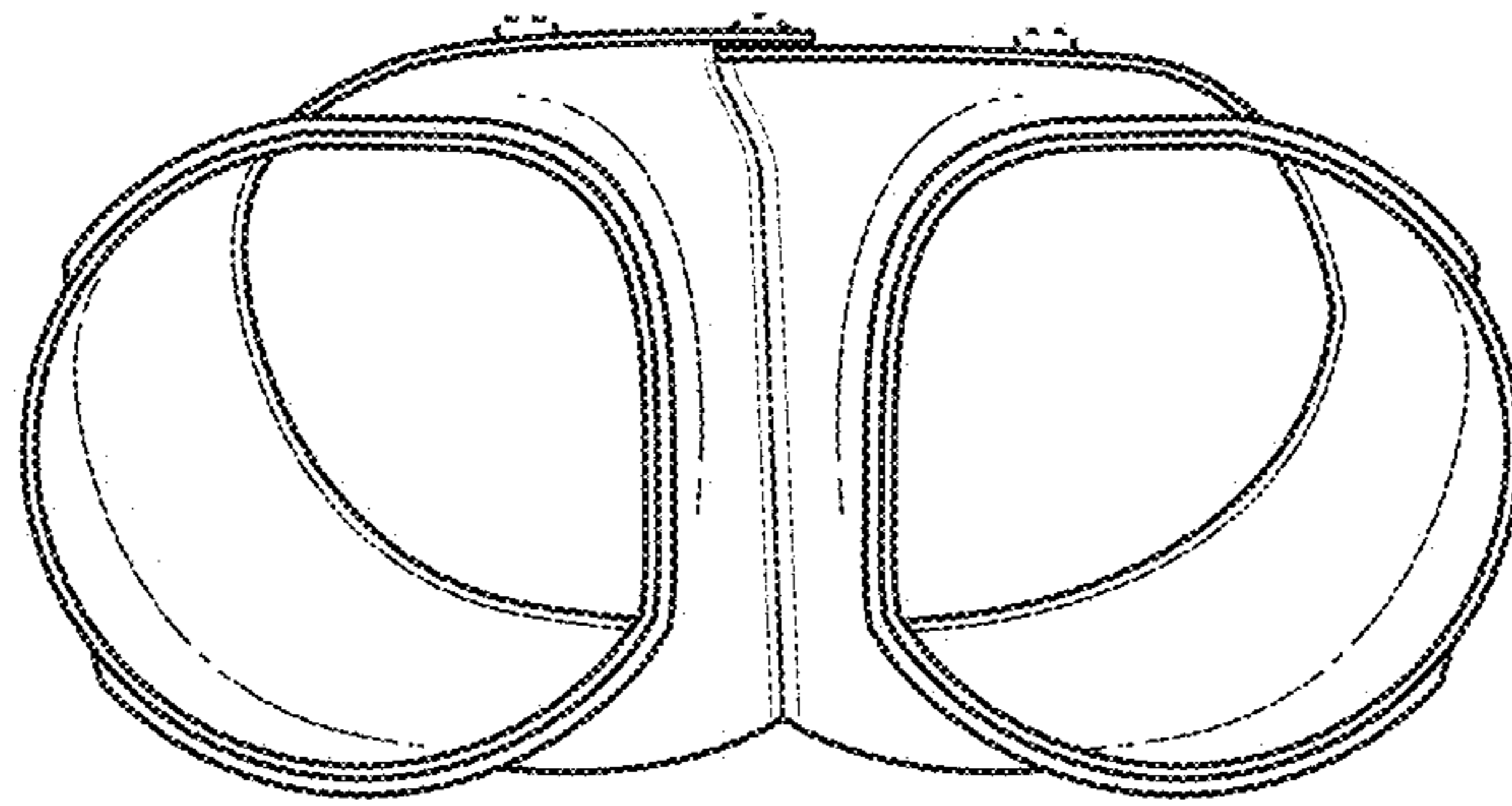


FIG. 7

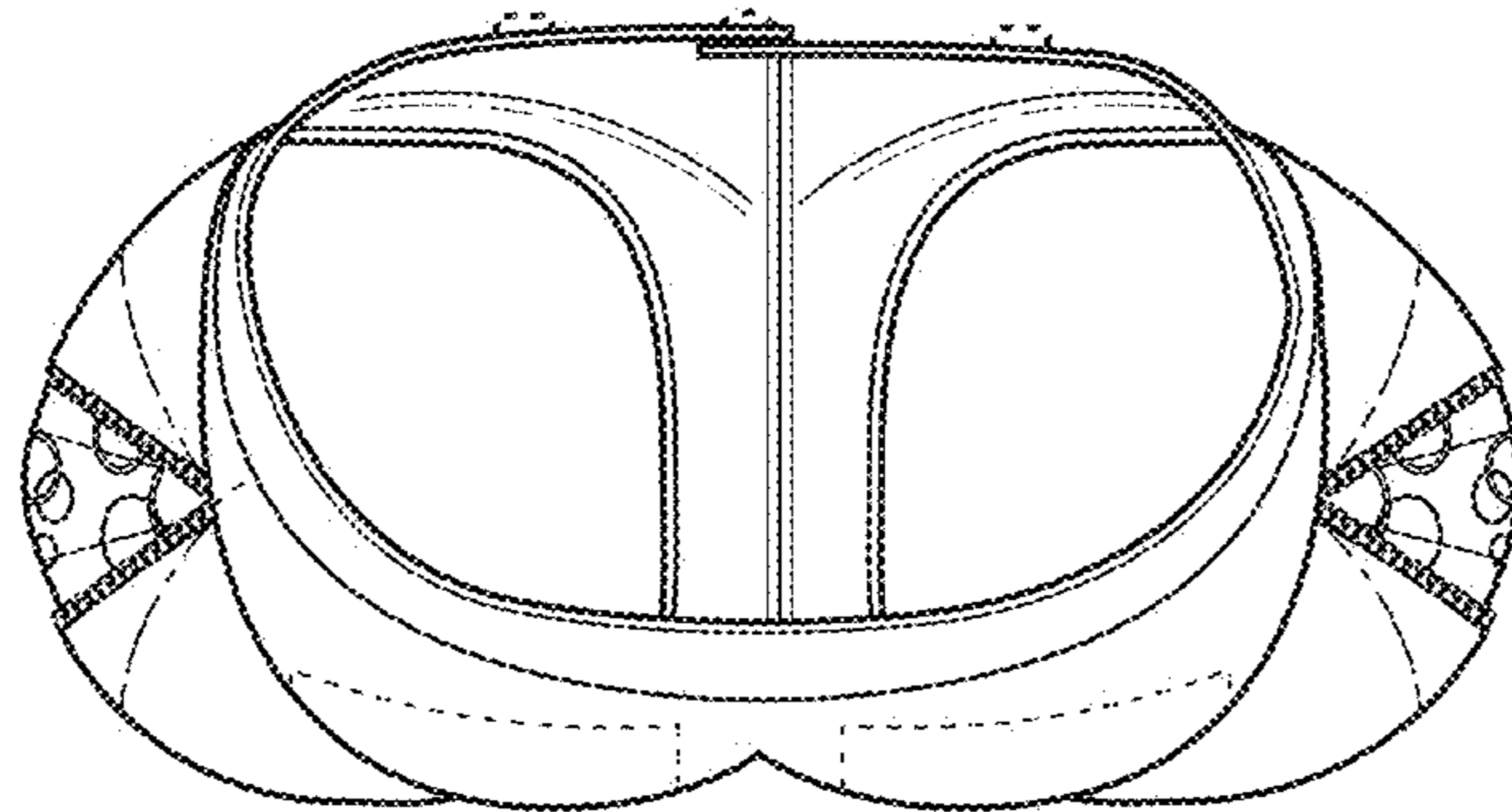


FIG. 6