



US00D681908S

(12) **United States Design Patent**  
**Martellato**

(10) **Patent No.:** **US D681,908 S**  
(45) **Date of Patent:** **\*\* May 14, 2013**

(54) **MANUAL DISPENSER OF EDIBLE FOODS  
SUCH AS ICE CREAM, PASTRY AND THE  
LIKE**

(75) Inventor: **Alessandro Martellato**, Noventa  
Padovana (IT)

(73) Assignee: **Martellato S.r.l.**, Noventa Padovana  
(PD) (IT)

(\*\*) Term: **14 Years**

(21) Appl. No.: **29/425,774**

(22) Filed: **Jun. 27, 2012**

(51) **LOC (9) Cl.** ..... **01-01**

(52) **U.S. Cl.**  
USPC ..... **D1/105**

(58) **Field of Classification Search** ..... D1/100-130,  
D1/199; 426/94, 138, 143, 275, 277, 279,  
426/281-284, 292, 295, 391, 496, 514, 566,  
426/572, 660, 134, 104, 92; 249/92; D8/83;  
D21/487

See application file for complete search history.

(56) **References Cited**

**U.S. PATENT DOCUMENTS**

D112,950 S \* 1/1939 Rubin ..... D9/502  
3,612,704 A \* 10/1971 Marchant ..... 401/212  
3,917,417 A \* 11/1975 Lang ..... 401/72

D278,121 S \* 3/1985 Sussman ..... D9/504  
4,966,781 A \* 10/1990 Artzer ..... 426/280  
D390,566 S \* 2/1998 Martek et al. .... D14/230  
D438,376 S \* 3/2001 Marshall ..... D3/257  
D442,763 S \* 5/2001 Ryder et al. .... D1/102  
D466,814 S \* 12/2002 Hurlburt ..... D9/504  
D492,592 S \* 7/2004 Palomino, Jr. .... D9/727  
D515,436 S \* 2/2006 Py et al. .... D9/697  
D537,721 S \* 3/2007 Kertels ..... D9/504  
D615,352 S \* 5/2010 Alviar et al. .... D7/396.2

\* cited by examiner

*Primary Examiner* — Cathron Brooks

*Assistant Examiner* — Katie Mroczka

(74) *Attorney, Agent, or Firm* — Hedman & Costigan, P.C.;  
Kathleen A. Costigan

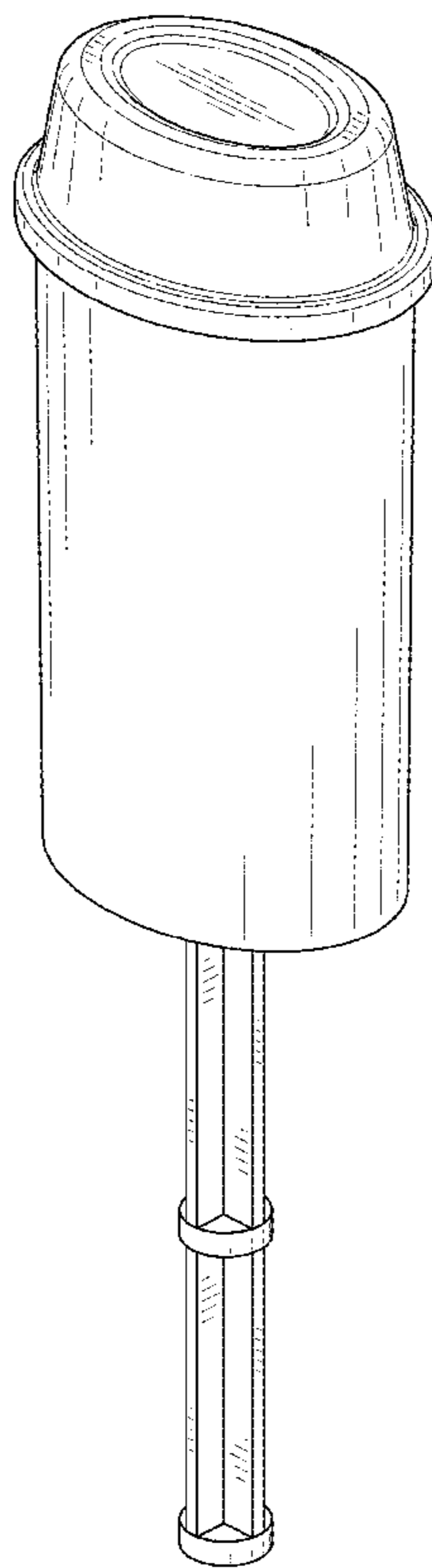
(57) **CLAIM**

The ornamental design for a manual dispenser of edible foods  
such as ice cream, pastry and the like, as shown and described.

**DESCRIPTION**

FIG. 1 is a front, left side perspective view of the invention;  
FIG. 2 is a front view thereof;  
FIG. 3 is a rear view thereof;  
FIG. 4 is a left side view thereof;  
FIG. 5 is a right side view thereof;  
FIG. 6 is a top view thereof;  
FIG. 7 is a bottom view thereof; and,  
FIG. 8 is a rear, left side perspective thereof.

**1 Claim, 5 Drawing Sheets**



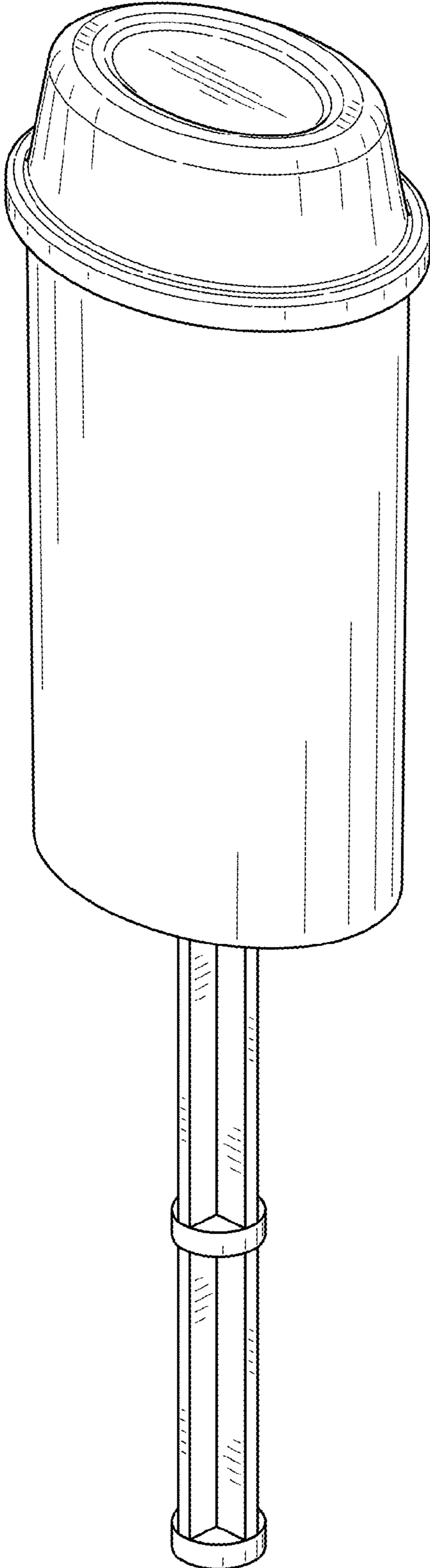


FIG. 1

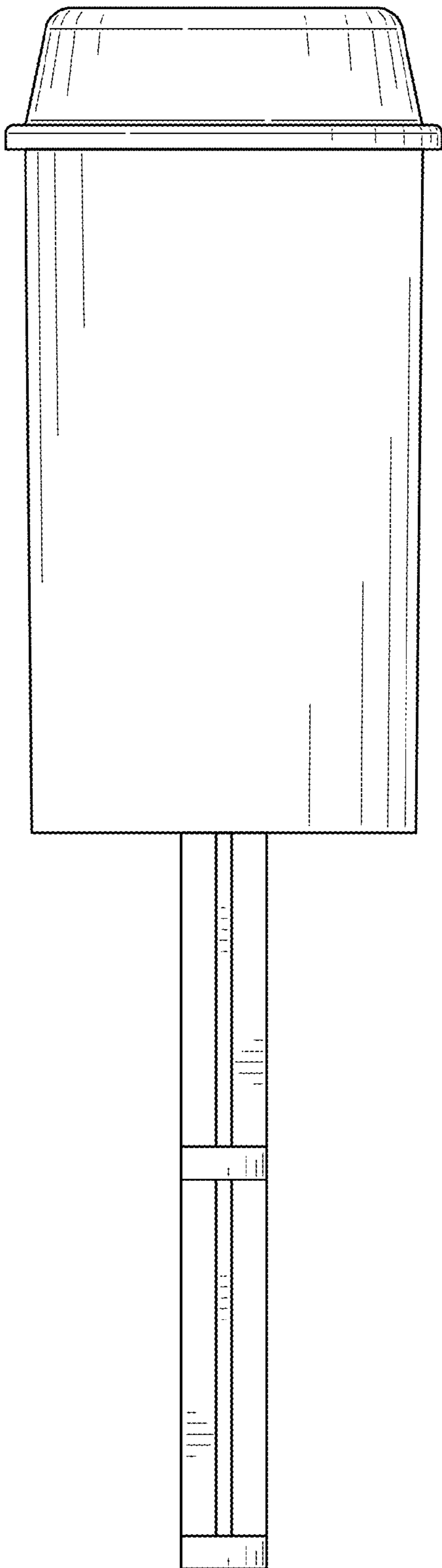


FIG. 2

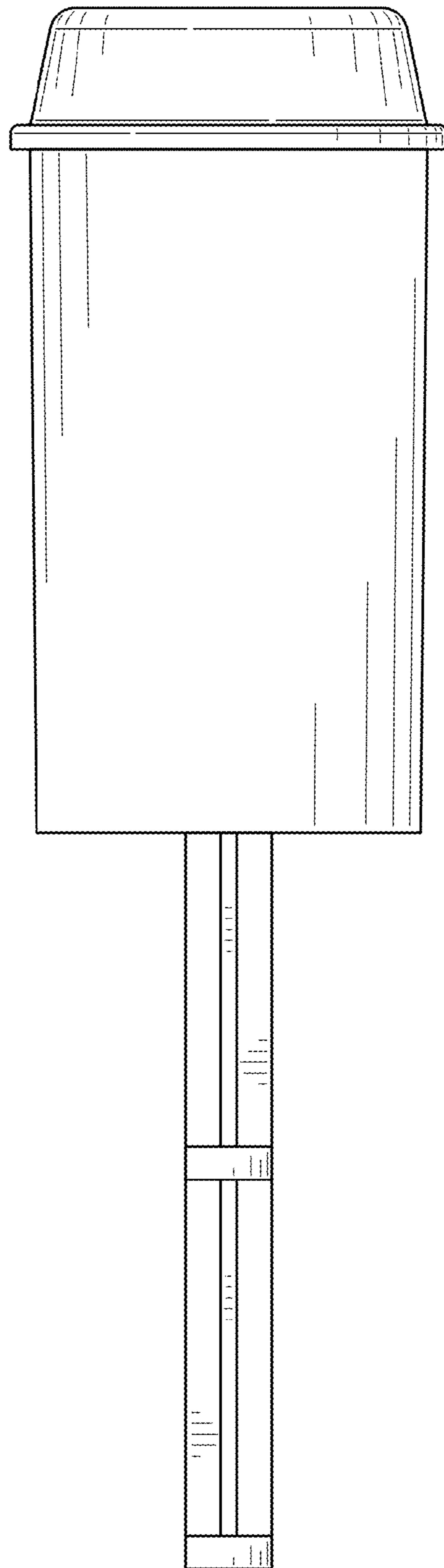


FIG. 3

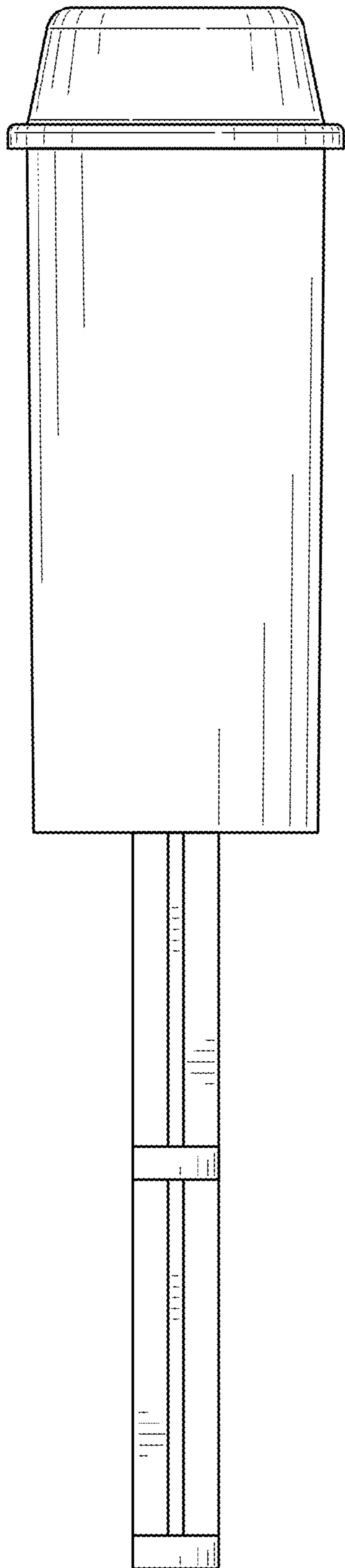


FIG. 4

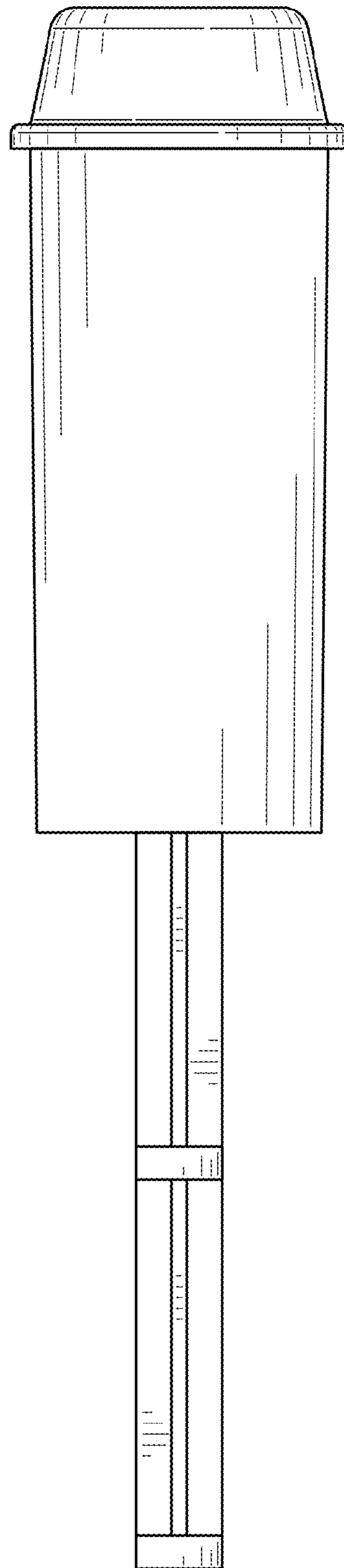


FIG. 5

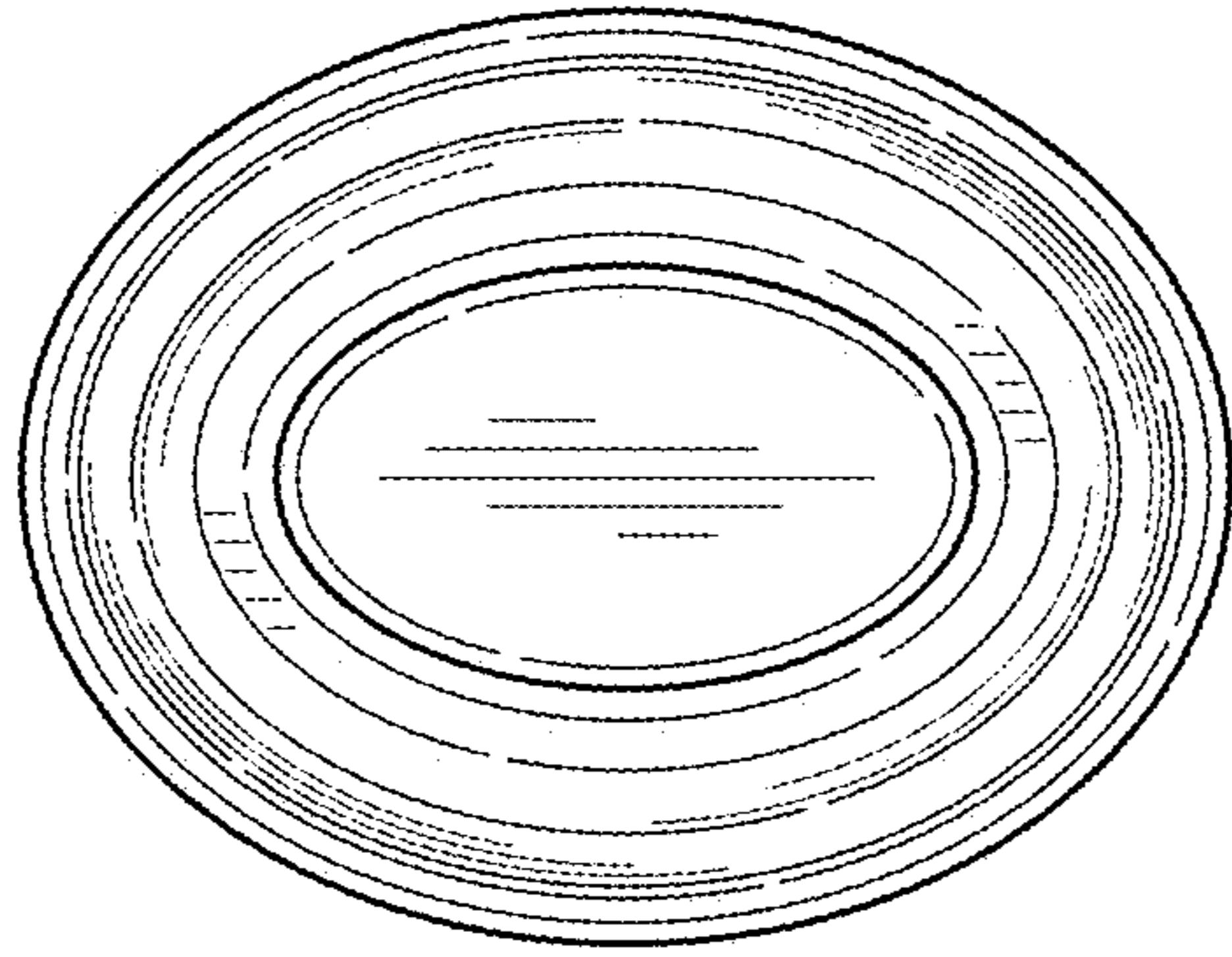


FIG. 6

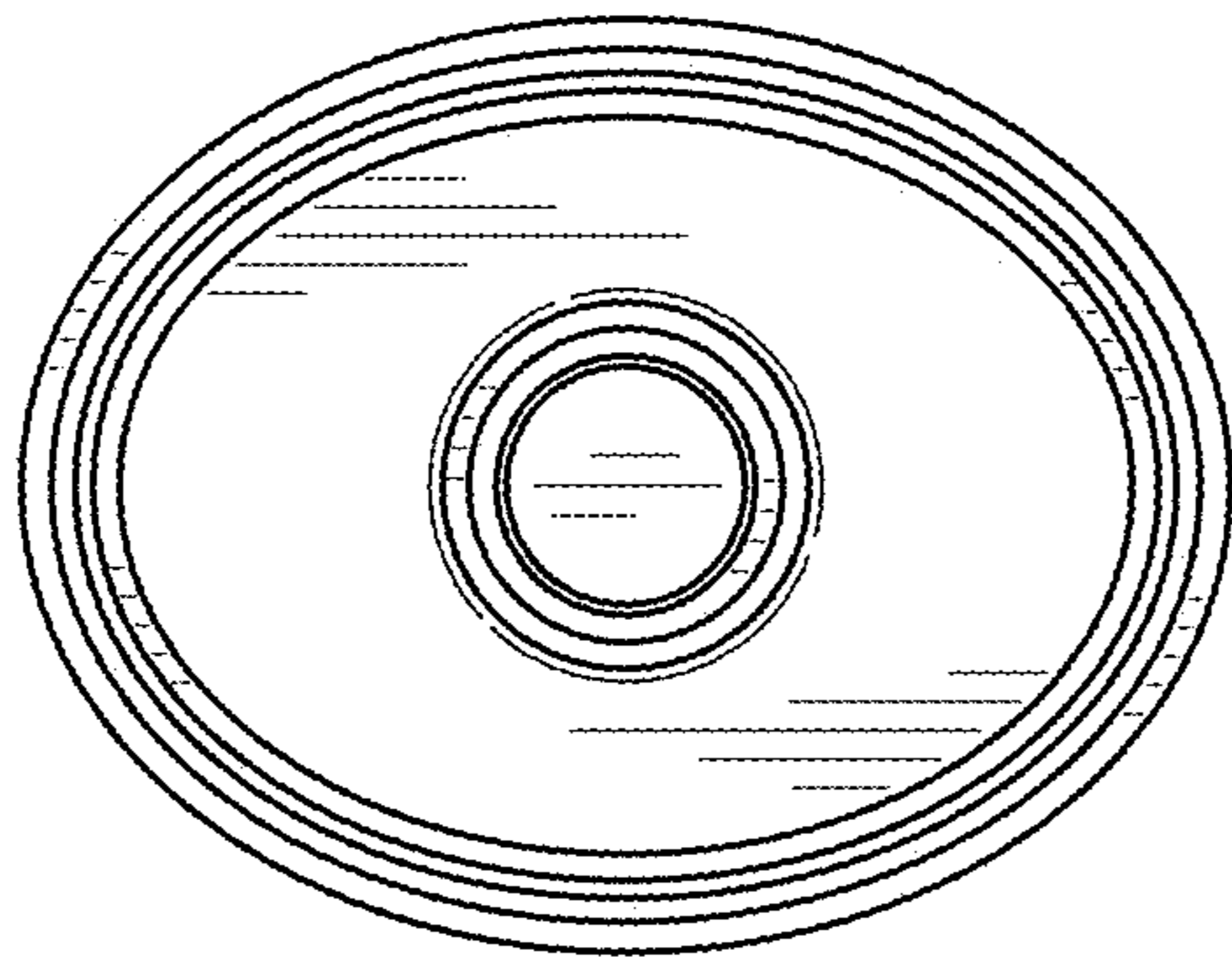


FIG. 7

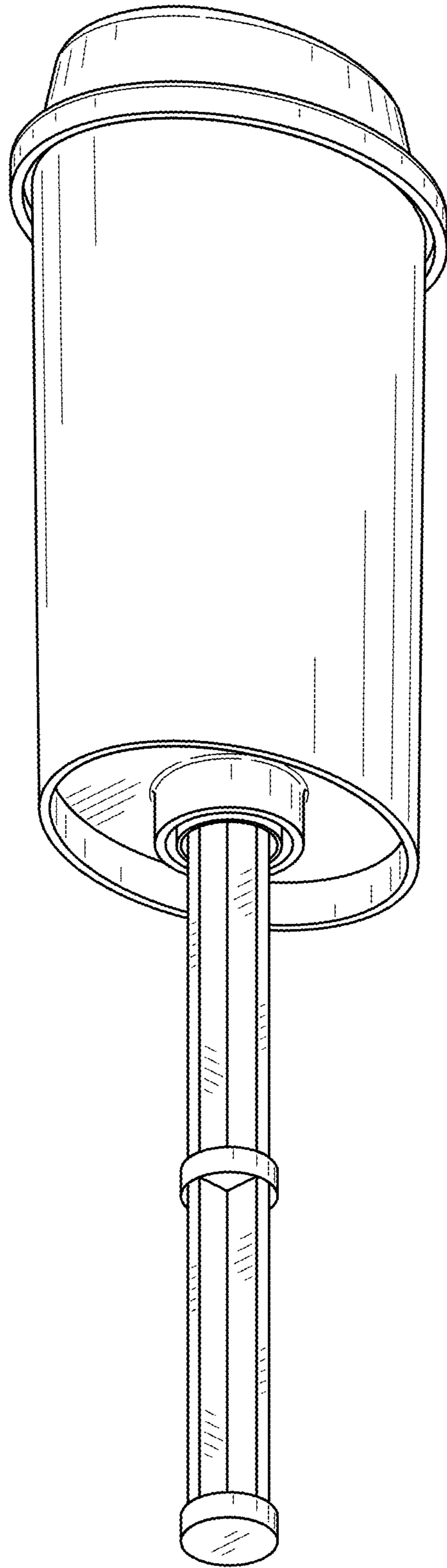


FIG. 8