



US00D681906S

(12) **United States Design Patent**
Martellato

(10) **Patent No.:** **US D681,906 S**

(45) **Date of Patent:** **** May 14, 2013**

(54) **MANUAL DISPENSER OF EDIBLE FOODS
SUCH AS ICE CREAM, PASTRY AND THE
LIKE**

(75) Inventor: **Alessandro Martellato**, Noventa
Padovana (IT)

(73) Assignee: **Martellato S.R.L.**, Noventa Padovana
(PD) (IT)

(**) Term: **14 Years**

(21) Appl. No.: **29/424,299**

(22) Filed: **Jun. 11, 2012**

(51) **LOC (9) Cl.** **01-01**

(52) **U.S. Cl.**
USPC **D1/105**

(58) **Field of Classification Search** D1/100-130,
D1/199; 426/94, 138, 143, 275, 277, 279,
426/281-284, 292, 295, 391, 496, 514, 566,
426/572, 660, 134, 104, 92; 249/92; D8/83;
D21/487

See application file for complete search history.

(56) **References Cited**

U.S. PATENT DOCUMENTS

D239,596 S * 4/1976 Dogliotti D9/629
D252,161 S * 6/1979 Flower D28/87
D272,363 S * 1/1984 Matsumuro D18/16

D293,838 S * 1/1988 Fo-Chun D28/87
D365,751 S * 1/1996 Hsu D9/629
D375,456 S * 11/1996 Borgmann D9/629
D382,585 S * 8/1997 Domhoff et al. D18/56
6,695,510 B1 * 2/2004 Look et al. 401/68
D487,326 S * 3/2004 Stoddart et al. D1/101
D509,042 S * 9/2005 Buckley et al. D1/106
D574,719 S * 8/2008 Erekson D9/629
D586,534 S * 2/2009 Oelsner et al. D1/112
D634,074 S * 3/2011 Tsai D28/87

* cited by examiner

Primary Examiner — Cathron Brooks

Assistant Examiner — Katie Mroczka

(74) *Attorney, Agent, or Firm* — Hedman & Costigan, P.C.;
Kathleen A. Costigan

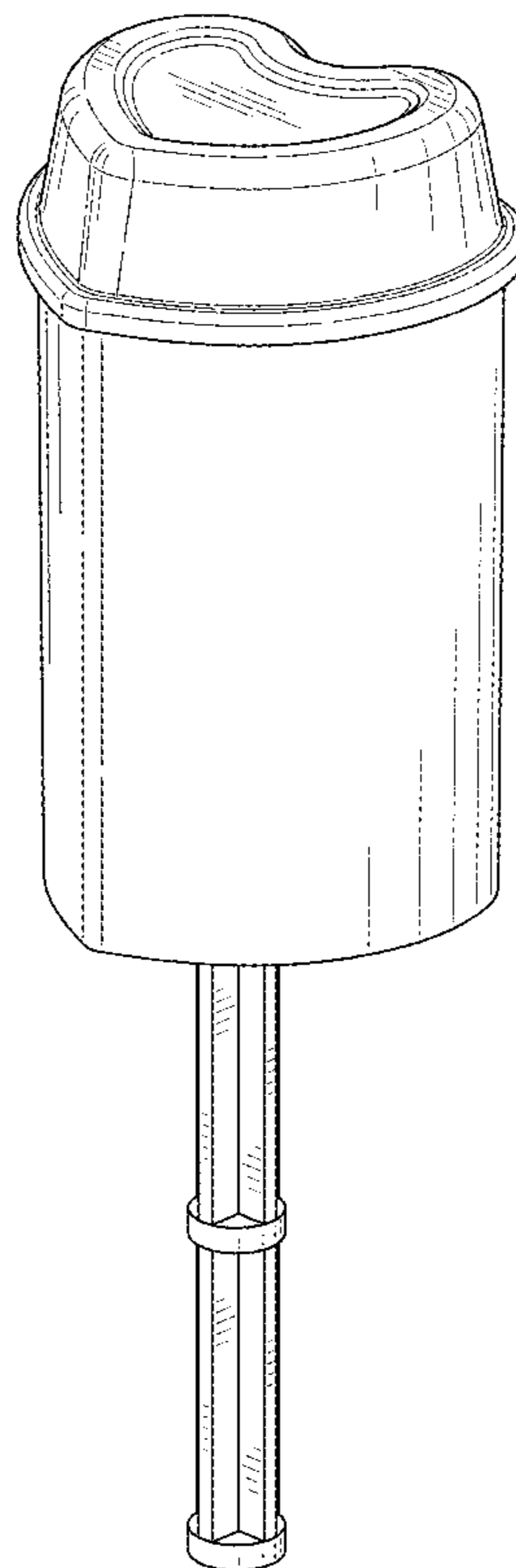
(57) **CLAIM**

The ornamental design for a manual dispenser of edible foods
such as ice cream, pastry and the like, as shown and described.

DESCRIPTION

FIG. 1 is a front, left side perspective view of the invention;
FIG. 2 is a front view thereof;
FIG. 3 is a rear view thereof;
FIG. 4 is a left side view thereof;
FIG. 5 is a right side view thereof;
FIG. 6 is a top view thereof;
FIG. 7 is a bottom view thereof; and,
FIG. 8 is a rear, left side perspective thereof.

1 Claim, 5 Drawing Sheets



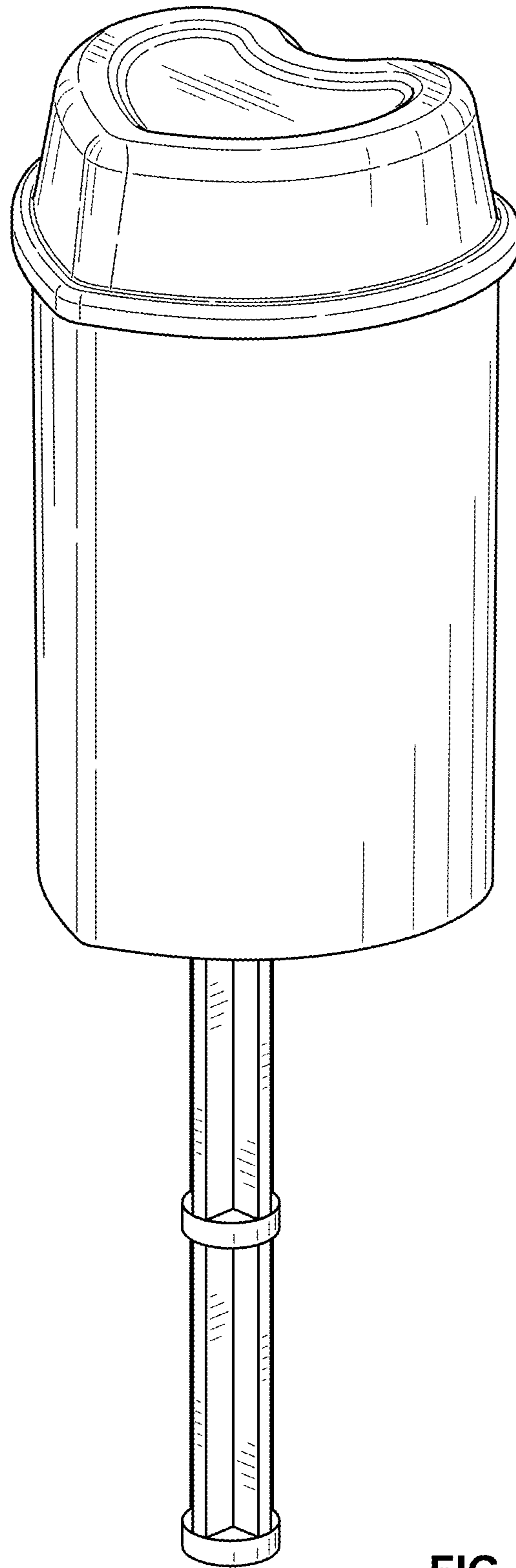


FIG. 1

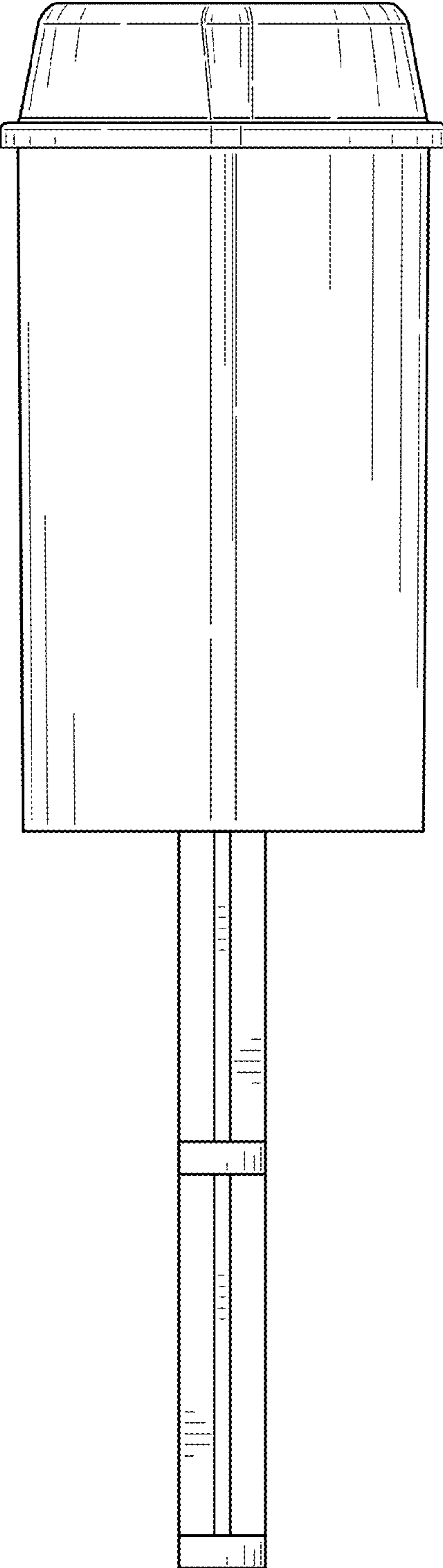


FIG. 2

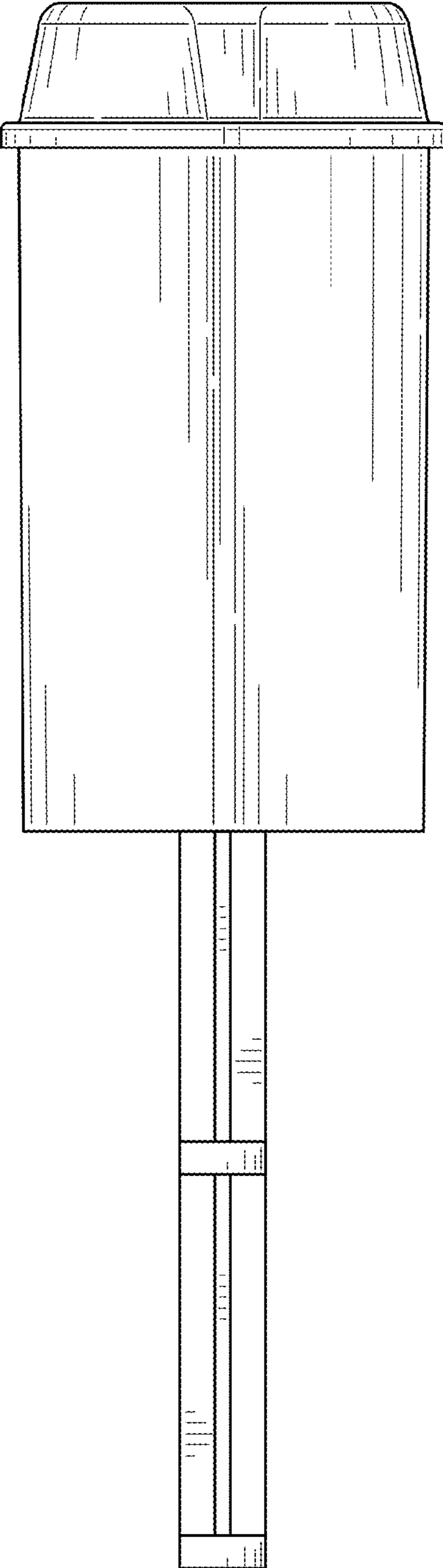


FIG. 3

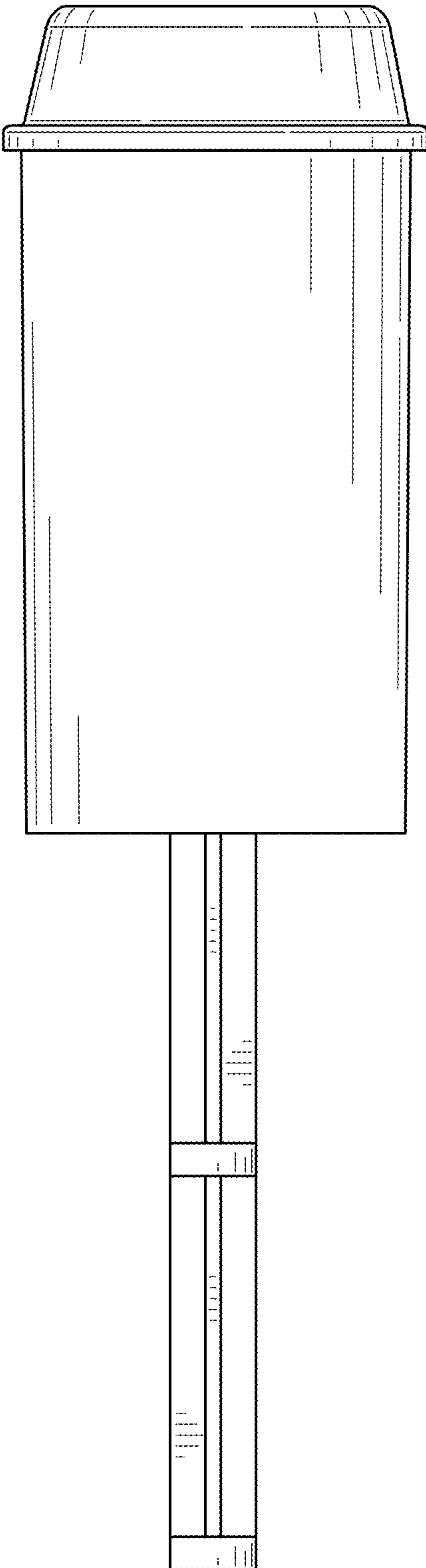


FIG. 4

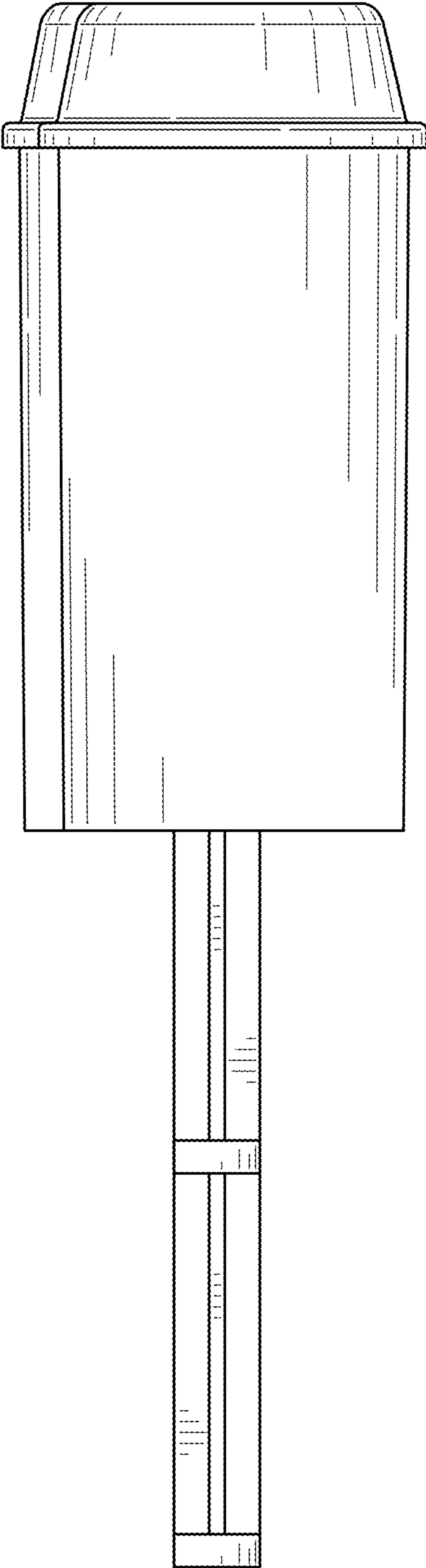


FIG. 5

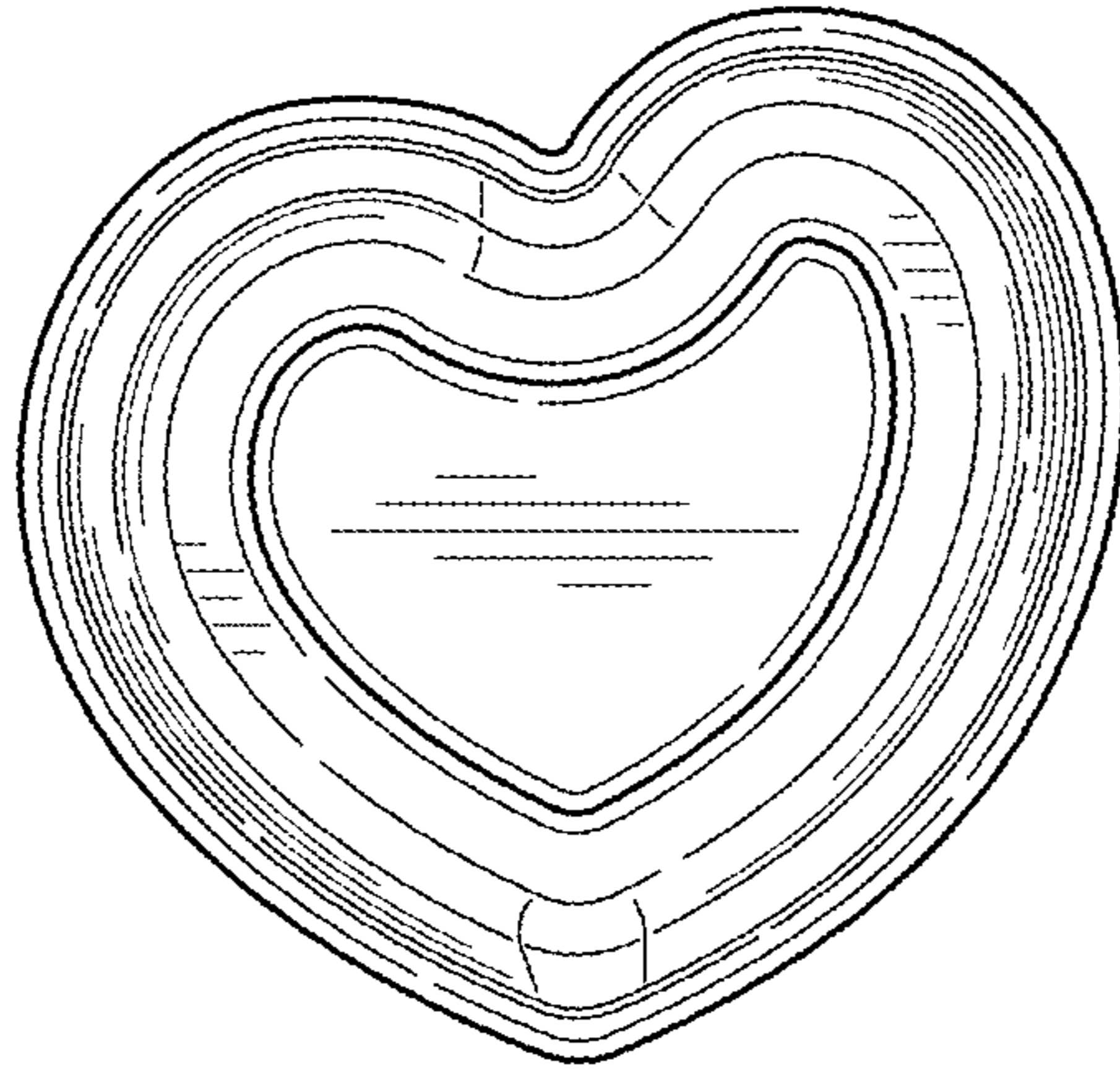


FIG. 6

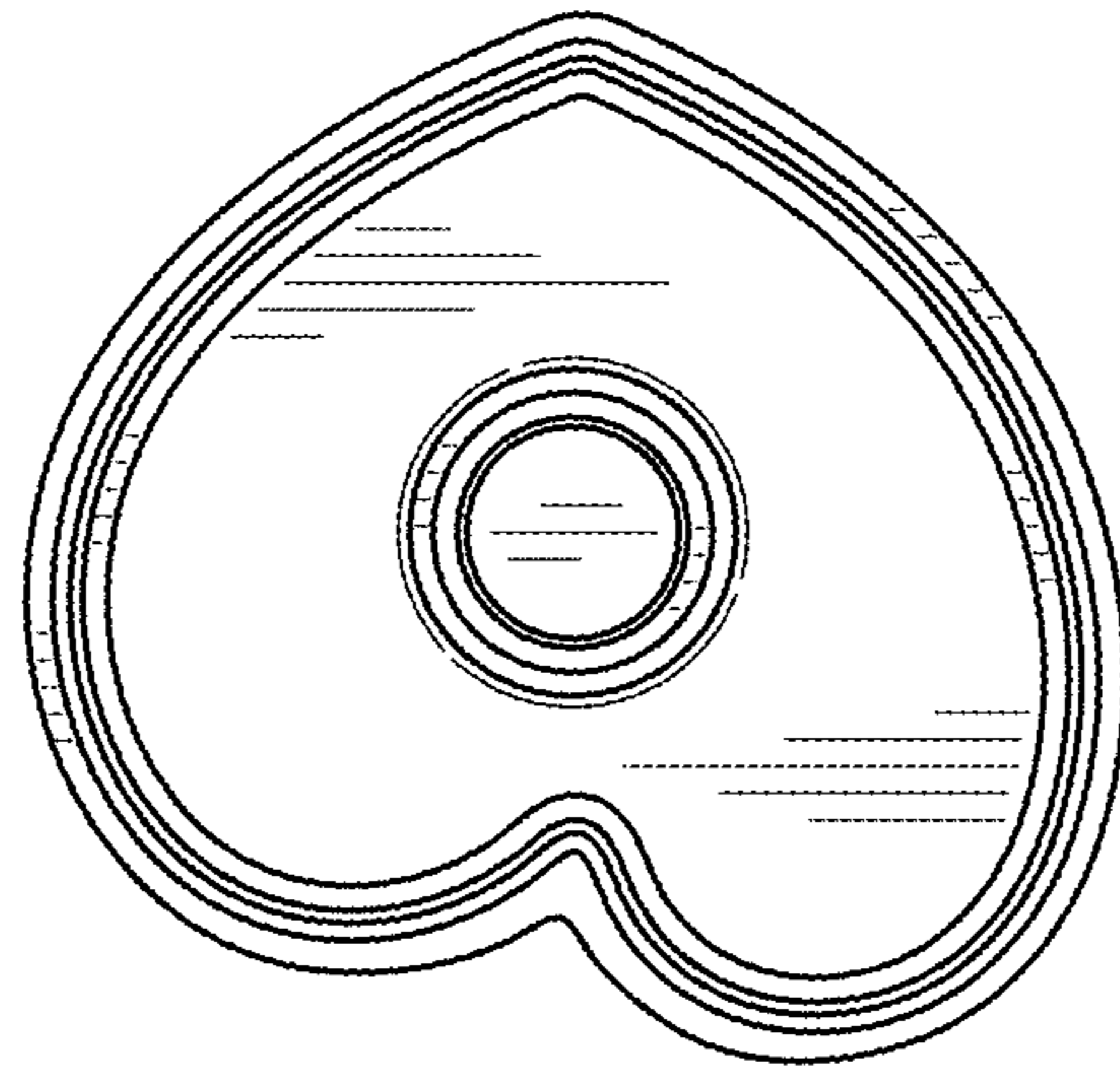


FIG. 7

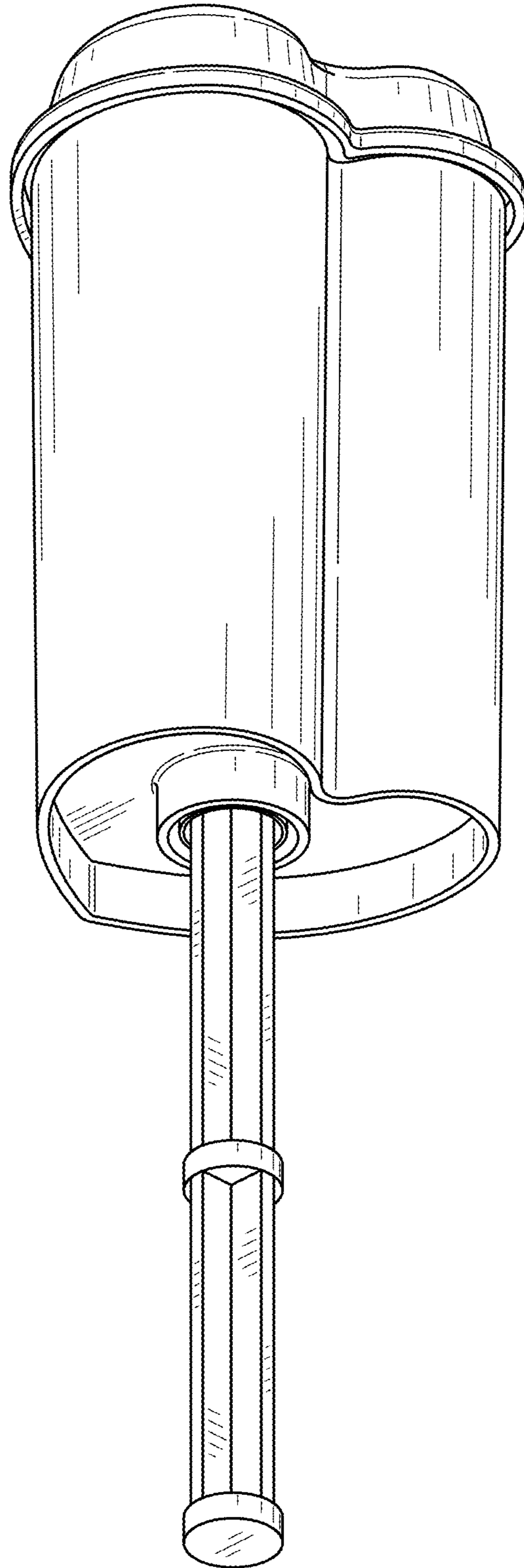


FIG. 8