



US00D681902S

(12) **United States Design Patent**  
**Hiraoka et al.**

(10) **Patent No.:** **US D681,902 S**

(45) **Date of Patent:** **\*\* May 7, 2013**

(54) **FORK LIFT TRUCK**

(75) Inventors: **Kazuhiko Hiraoka**, Kodaira (JP);  
**Shigehisa Hagura**, Akishima (JP);  
**Toshihiko Terashima**, Yasu (JP);  
**Munehito Adachi**, Shiga (JP); **Koji**  
**Shiizaki**, Higashioumi (JP); **Masahiro**  
**Takatsuji**, Oumihachiman (JP); **Jun**  
**Fujita**, Ootsu (JP); **Junichi Murakami**,  
Yasu (JP); **Yoshinori Mochida**,  
Oumihachiman (JP)

(73) Assignee: **TCM Corporation**, Osaka (JP)

(\*\*) Term: **14 Years**

(21) Appl. No.: **29/423,233**

(22) Filed: **May 30, 2012**

(30) **Foreign Application Priority Data**

Dec. 21, 2011 (JP) ..... 2011-029561

(51) **LOC (9) Cl.** ..... **12-05**

(52) **U.S. Cl.**  
USPC ..... **D34/34**

(58) **Field of Classification Search** ..... D34/34;  
180/89.12, 89.13, 89.17; 187/222, 237, 238,  
187/414

See application file for complete search history.

(56) **References Cited**

**U.S. PATENT DOCUMENTS**

D242,337 S \* 11/1976 Priestler et al. .... D34/37  
D369,010 S \* 4/1996 Soederberg ..... D34/34

D571,522 S \* 6/2008 Bornhorst et al. .... D34/35  
D576,775 S \* 9/2008 Buchmann et al. .... D34/35  
D586,974 S \* 2/2009 Mori et al. .... D34/34  
D587,425 S \* 2/2009 Mori et al. .... D34/34  
D594,172 S \* 6/2009 Shibata et al. .... D34/34  
D594,173 S \* 6/2009 Shibata et al. .... D34/34  
D610,325 S \* 2/2010 Betzler ..... D34/33  
D612,563 S \* 3/2010 Stark ..... D34/34  
D652,194 S \* 1/2012 Shibata et al. .... D34/34  
D657,111 S \* 4/2012 Shibata et al. .... D34/34  
D663,502 S \* 7/2012 Lin ..... D34/34

\* cited by examiner

*Primary Examiner* — Cynthia Ramirez

(74) *Attorney, Agent, or Firm* — Antonelli, Terry, Stout & Kraus, LLP.

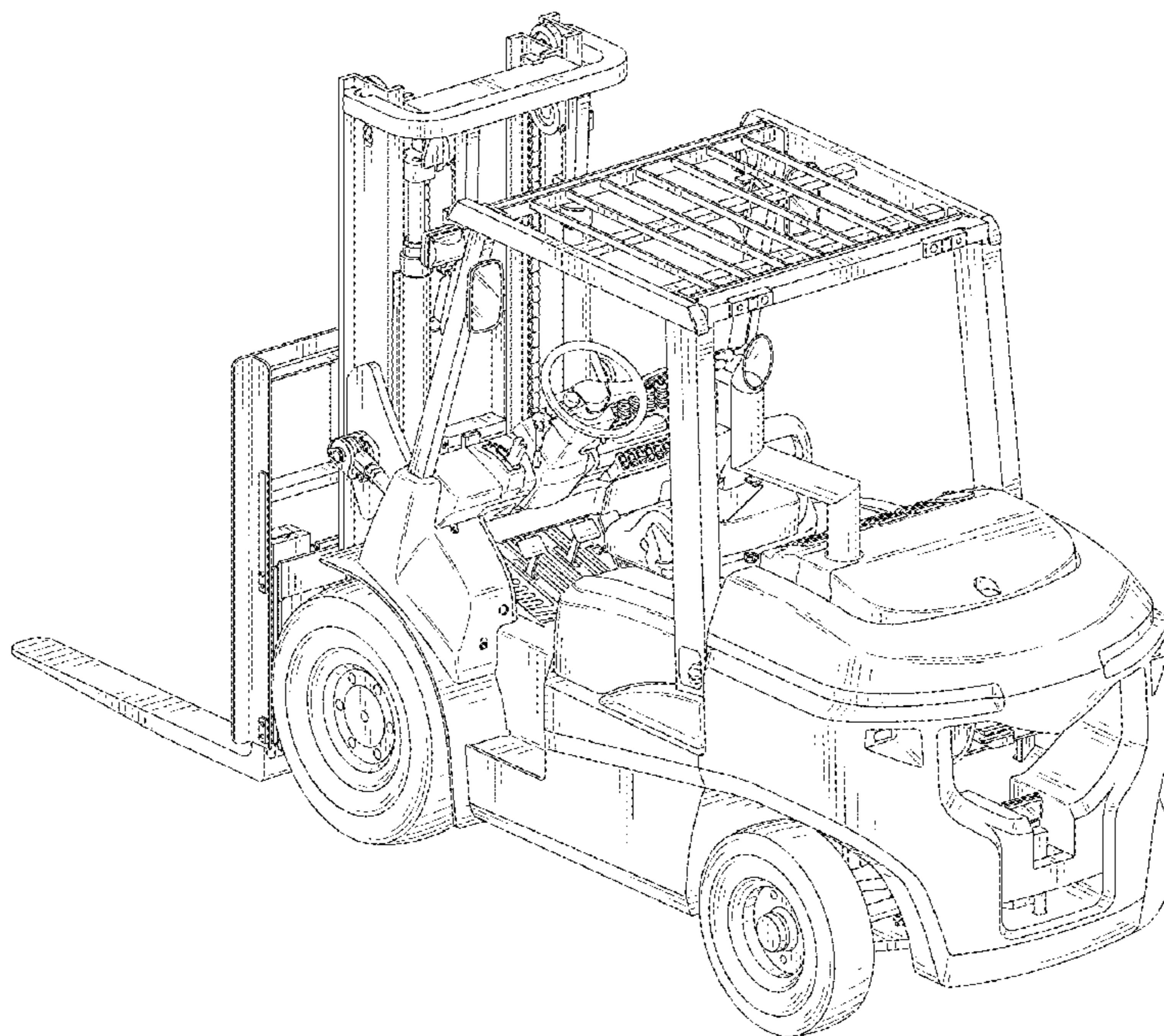
(57) **CLAIM**

We claim the ornamental design for a fork lift truck, as shown and described.

**DESCRIPTION**

FIG. 1 is a front perspective view of a fork lift showing our new design;  
FIG. 2 is a front elevational view thereof;  
FIG. 3 is a rear elevational view thereof;  
FIG. 4 is a left side elevational view thereof;  
FIG. 5 is a right side elevational view thereof;  
FIG. 6 is a top plan view thereof; and,  
FIG. 7 is a bottom plan view thereof.  
The broken lines in FIG. 7 are for the purpose of illustrating portions of the fork lift truck that form no part of the claimed design.

**1 Claim, 6 Drawing Sheets**



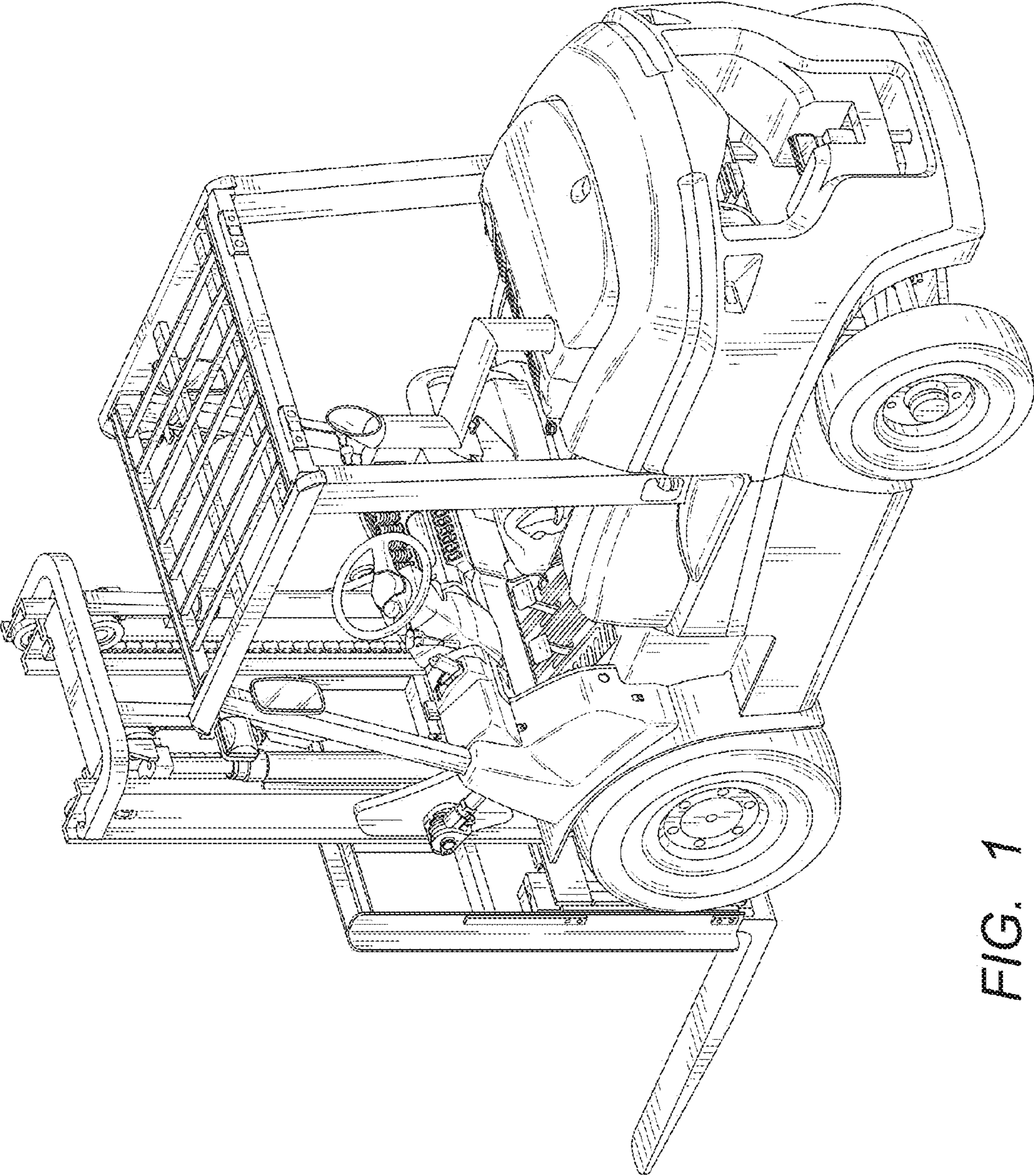


FIG. 1



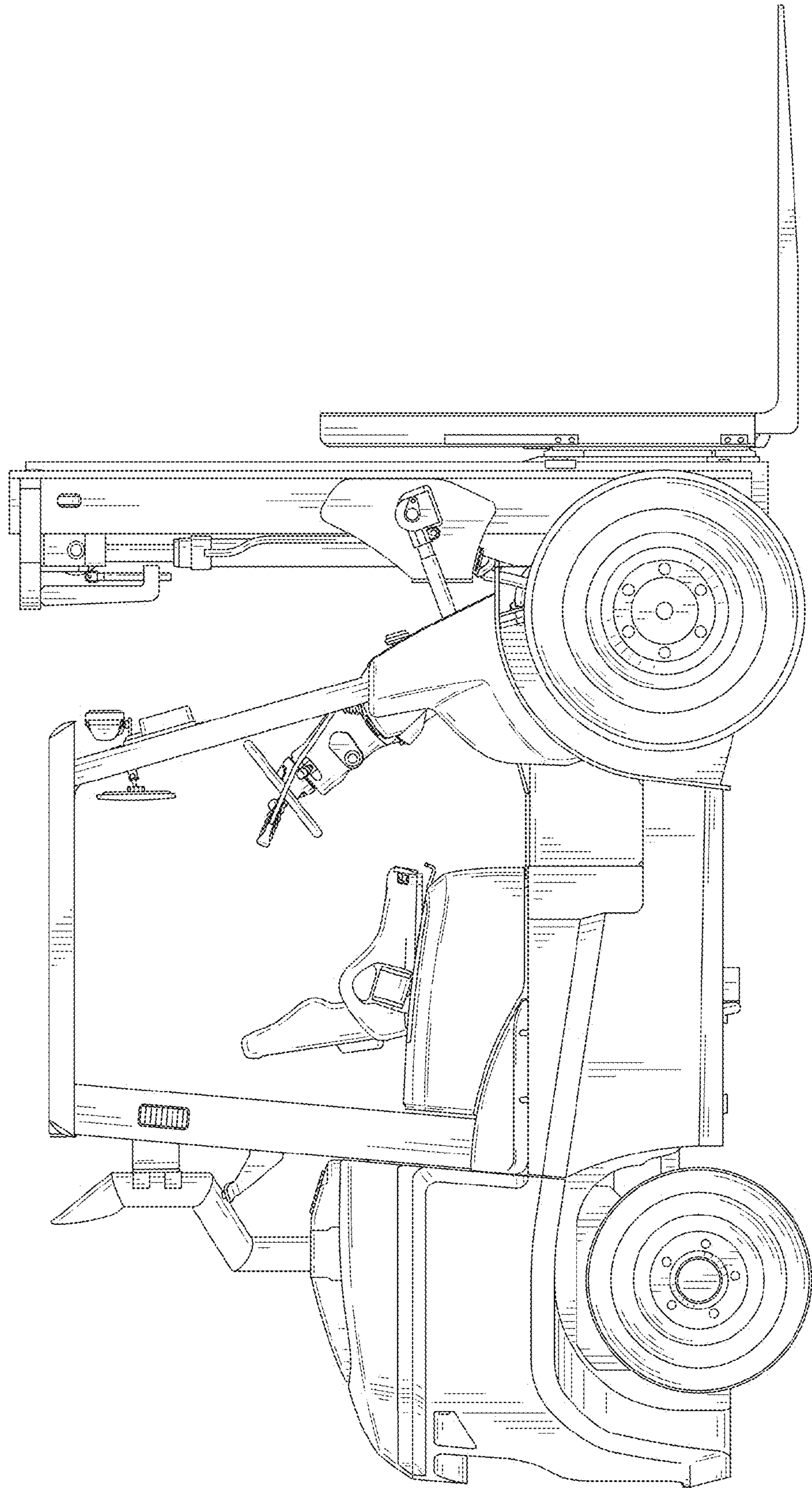


FIG. 3

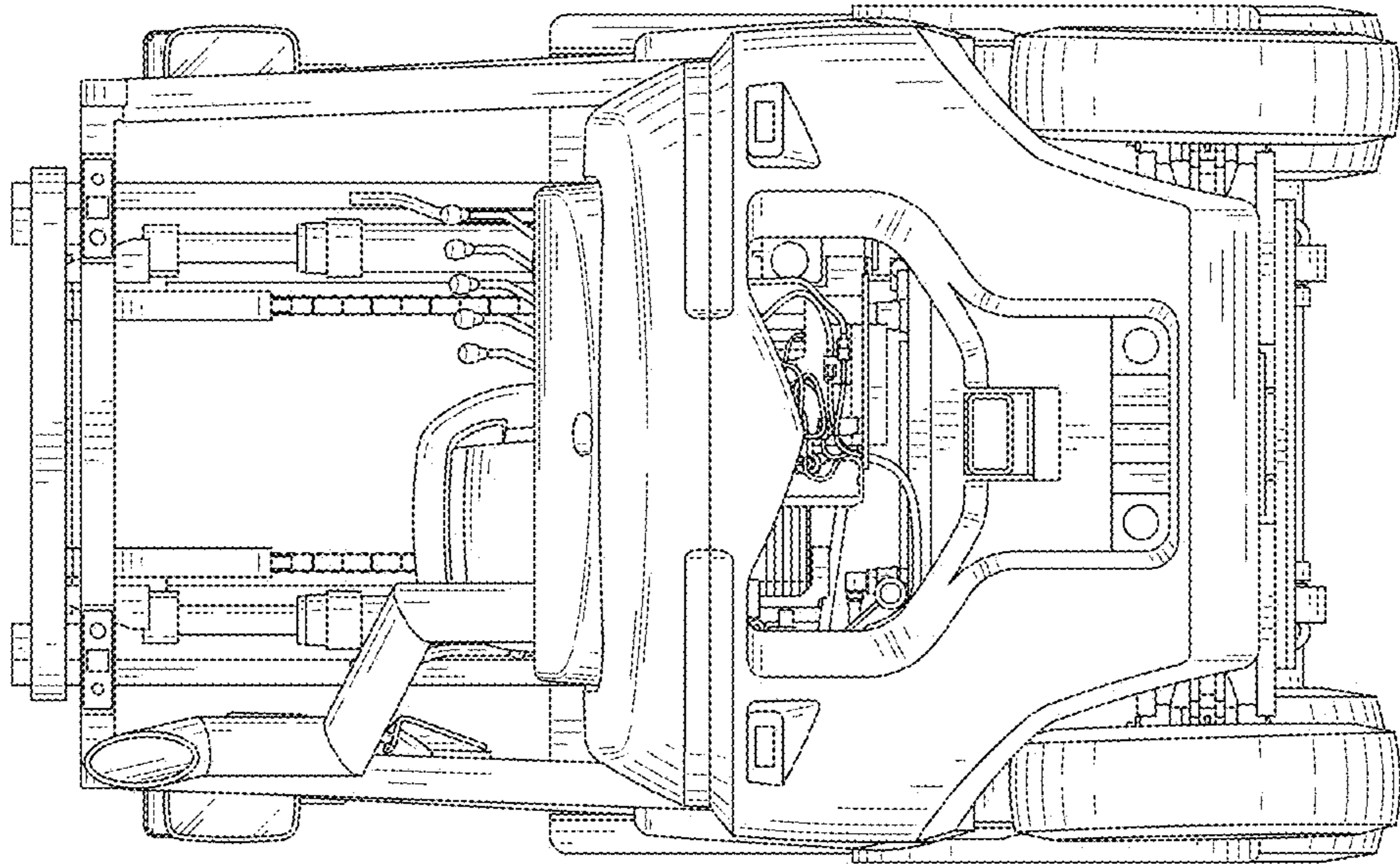


FIG. 5

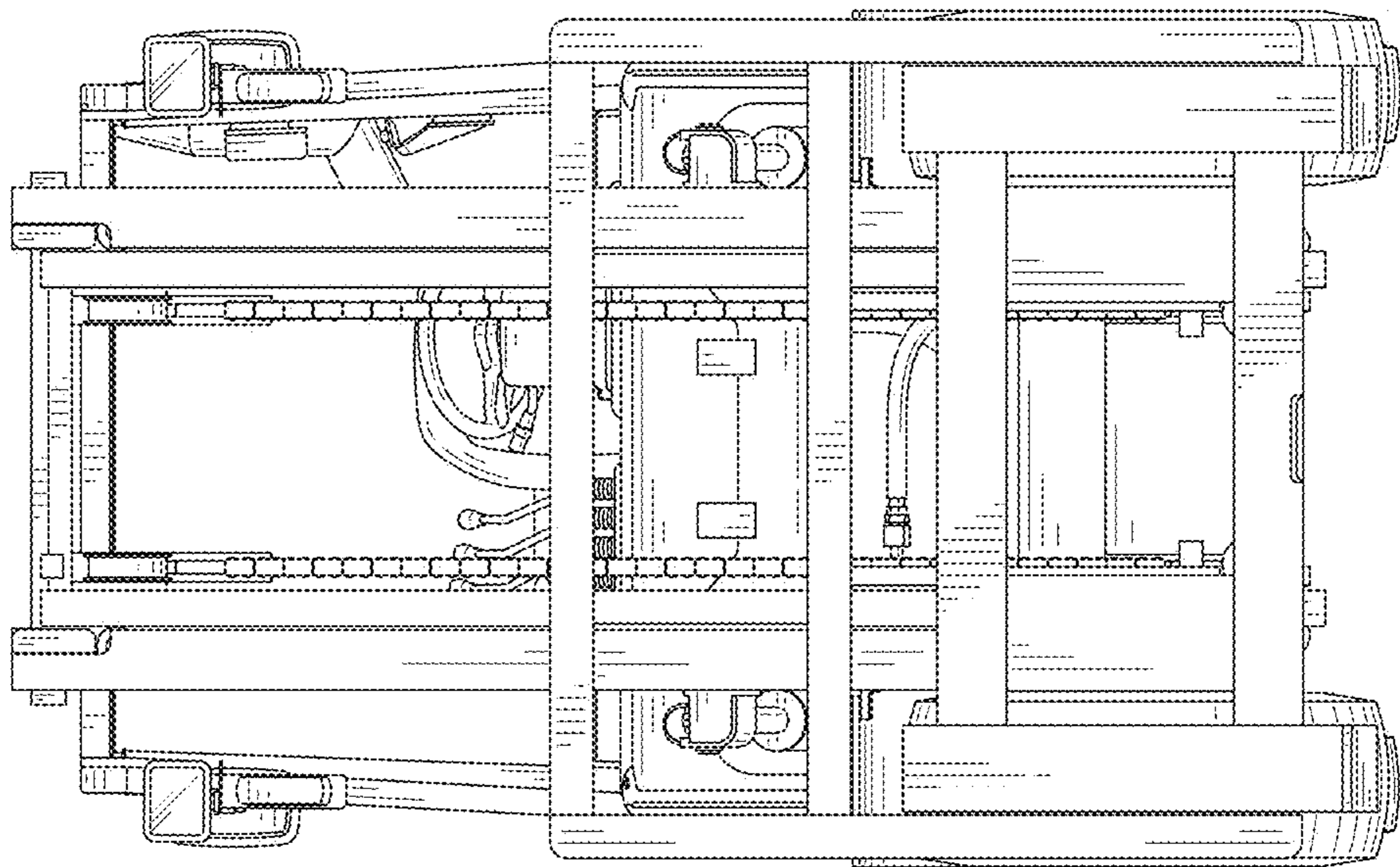


FIG. 4

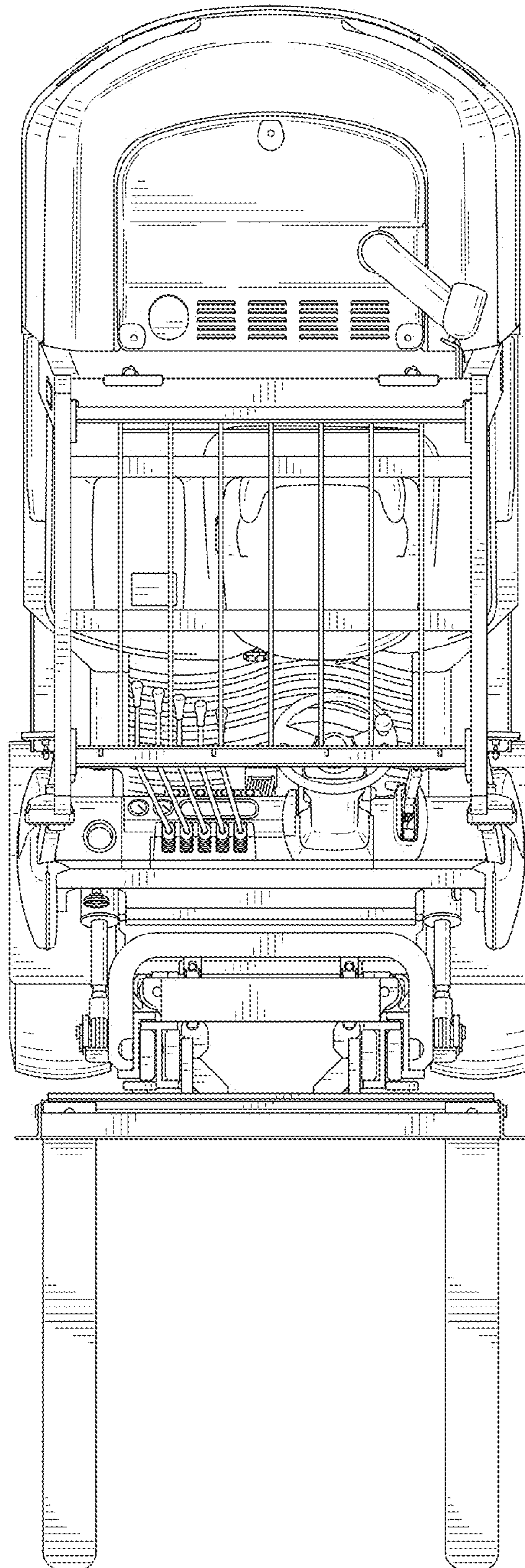


FIG. 6

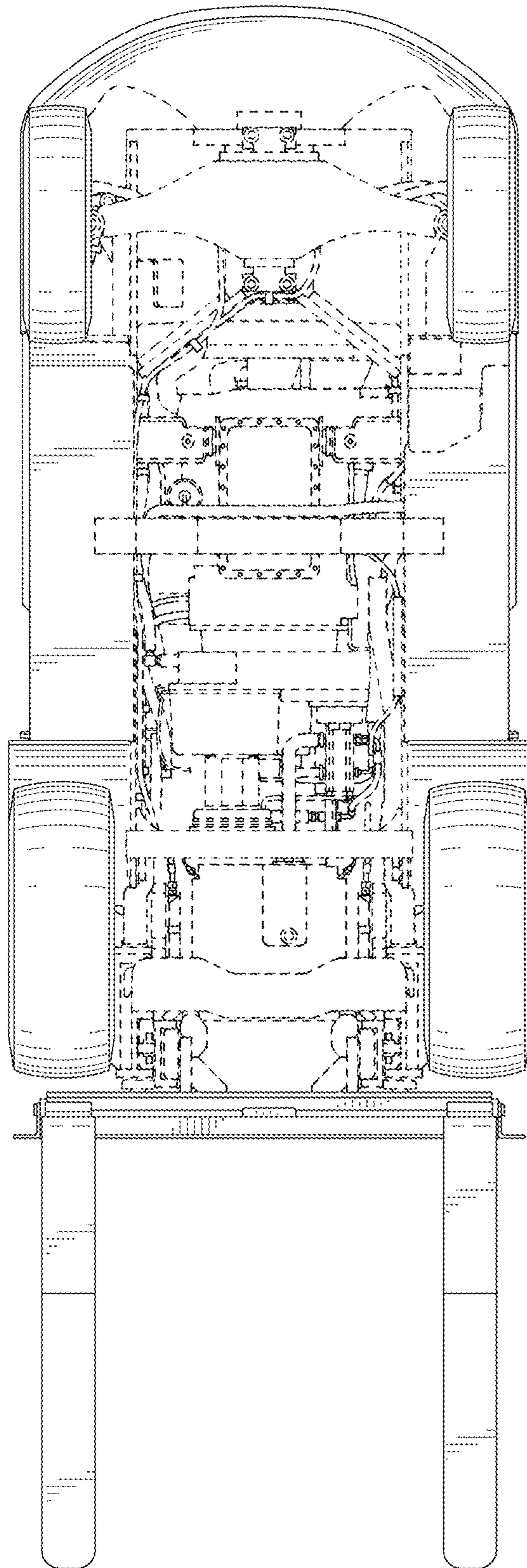


FIG. 7