



US00D681901S

(12) **United States Design Patent**
Fredendall et al.

(10) **Patent No.:** **US D681,901 S**

(45) **Date of Patent:** **** May 7, 2013**

(54) **SHOPPING CART COMPONENT**

(56) **References Cited**

(71) Applicant: **Retail Design Services, LLC**,
Northfield, MN (US)

U.S. PATENT DOCUMENTS

(72) Inventors: **Jonathon A. Fredendall**, Buffalo, MN
(US); **John Robert Ebling**, Northfield,
MN (US); **Jay Robert Stemler**, Elk
River, MN (US); **Gary Robert Ebling**,
Northfield, MN (US)

4,765,644	A	*	8/1988	Bell	280/641
5,649,718	A	*	7/1997	Groglio	280/641
D444,927	S	*	7/2001	Lin	D32/37
D525,758	S	*	7/2006	Lynch	D34/12
D550,423	S	*	9/2007	Splain et al.	D34/12
D649,732	S	*	11/2011	Muscara	D34/17

* cited by examiner

(73) Assignee: **Retail Design Services, LLC**,
Northfield, MN (US)

Primary Examiner — Cynthia Ramirez

(74) *Attorney, Agent, or Firm* — James L. Young; Westman,
Champlin & Kelly, P.A.

(**) Term: **14 Years**

(57) **CLAIM**

The ornamental design for a shopping cart component, as
shown and described.

(21) Appl. No.: **29/436,561**

DESCRIPTION

(22) Filed: **Nov. 7, 2012**

Related U.S. Application Data

(62) Division of application No. 29/406,240, filed on Nov.
10, 2011, now Pat. No. Des. 672,932.

(51) **LOC (9) Cl.** **12-02**

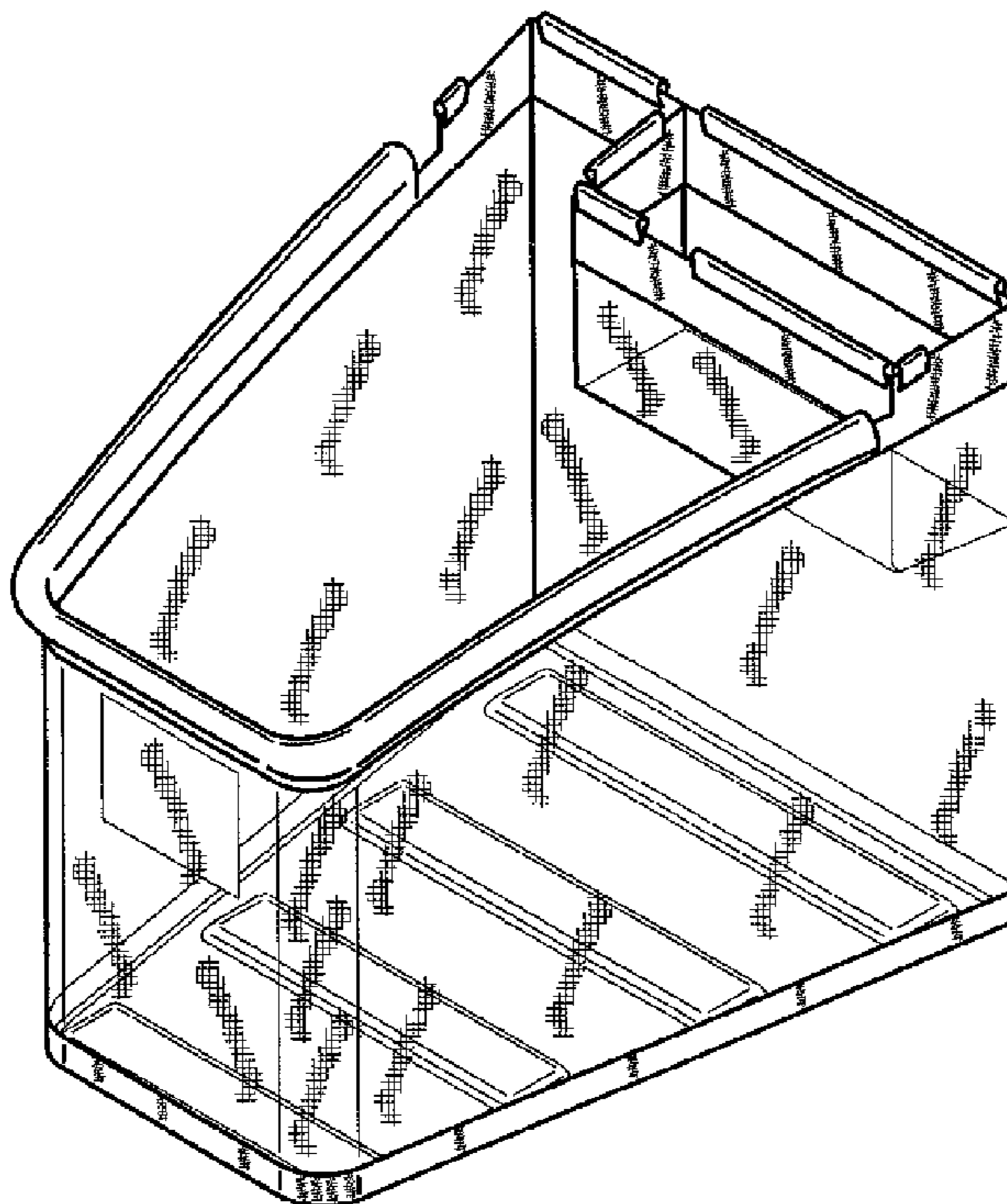
(52) **U.S. Cl.**
USPC **D34/27**

(58) **Field of Classification Search** D34/12-27;
280/33.992, 33.991, 33.99, 47.34, 79.11

See application file for complete search history.

FIG. 1 is an isometric view of a shopping cart component;
FIG. 2 is an end view thereof, as taken from the left end of
FIG. 1;
FIG. 3 is a end view thereof, as taken from the right end of
FIG. 1;
FIG. 4 is a left side view thereof;
FIG. 5 is a right side view thereof (the side views are mirror
images of one another);
FIG. 6 is a top view thereof; and,
FIG. 7 is a bottom view thereof.

1 Claim, 3 Drawing Sheets



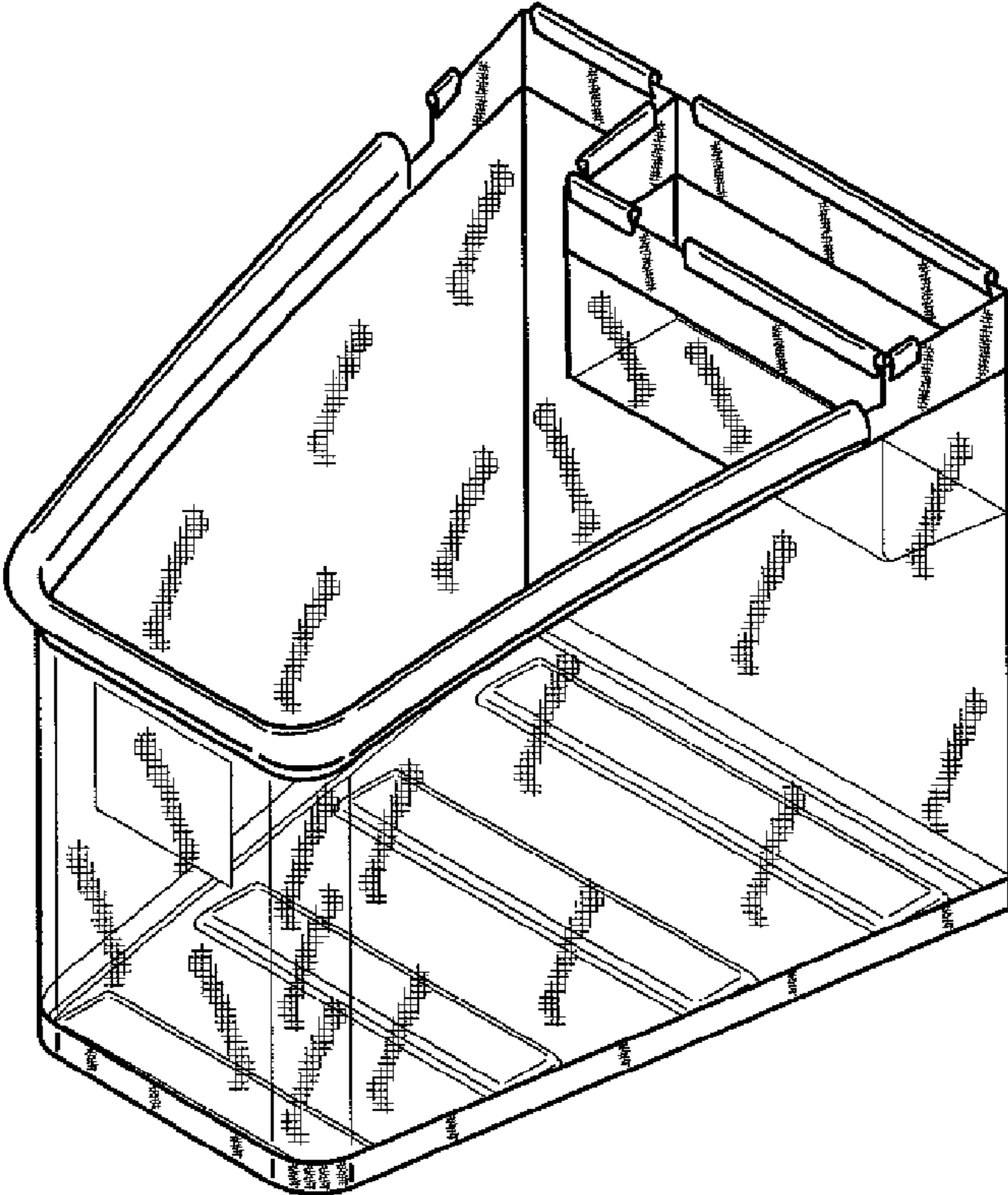


Fig. 1

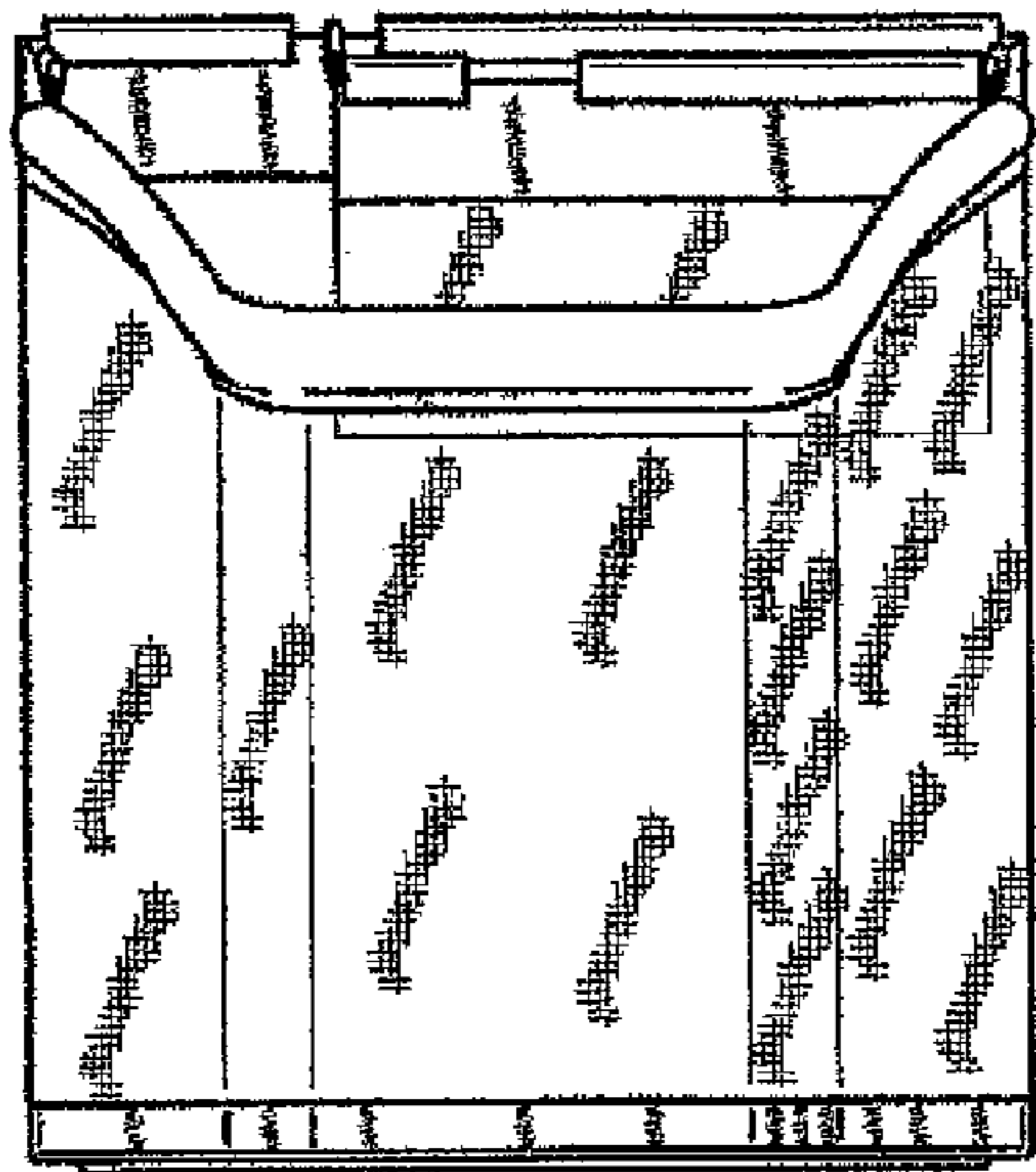


Fig. 2

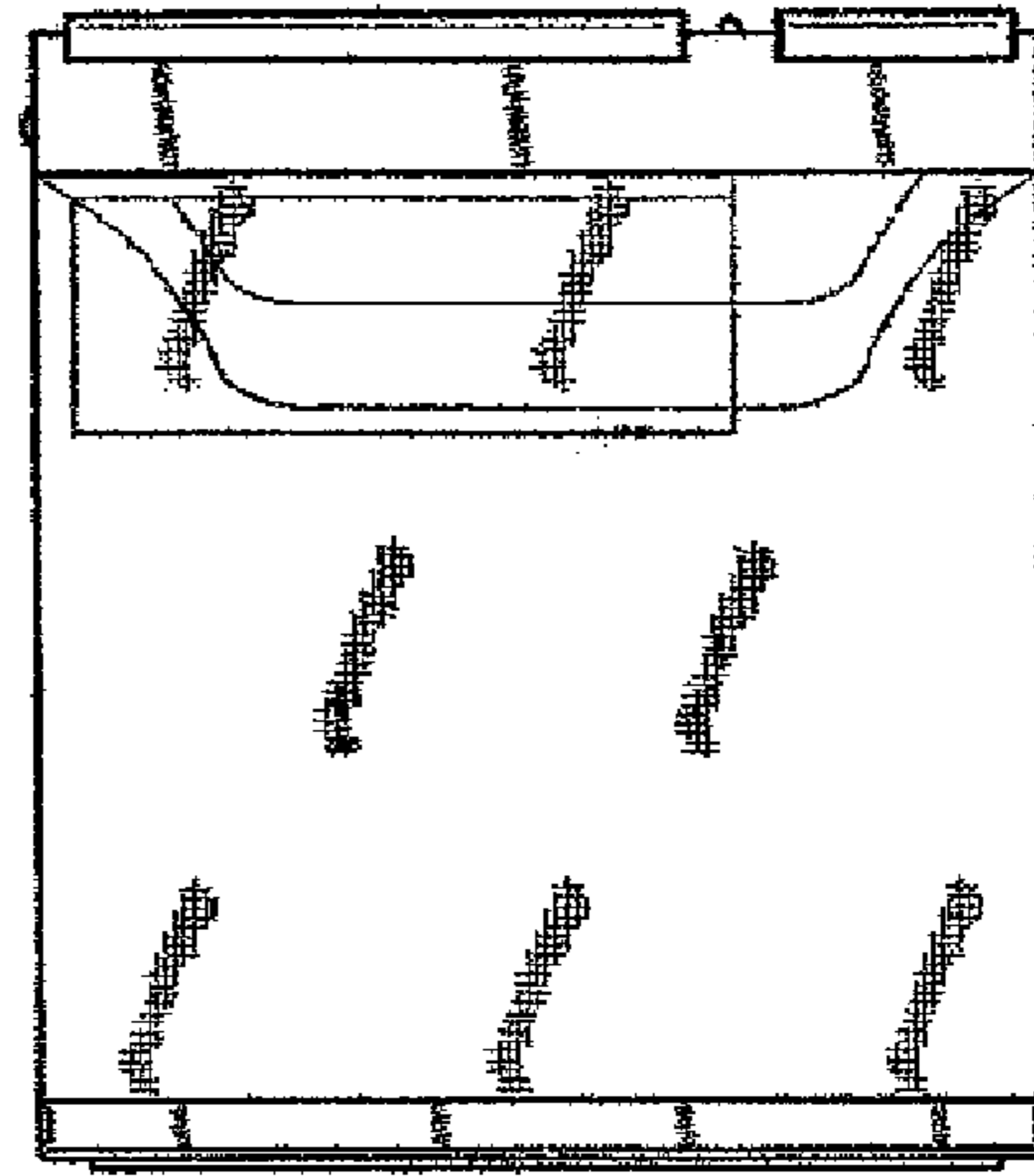


Fig. 3

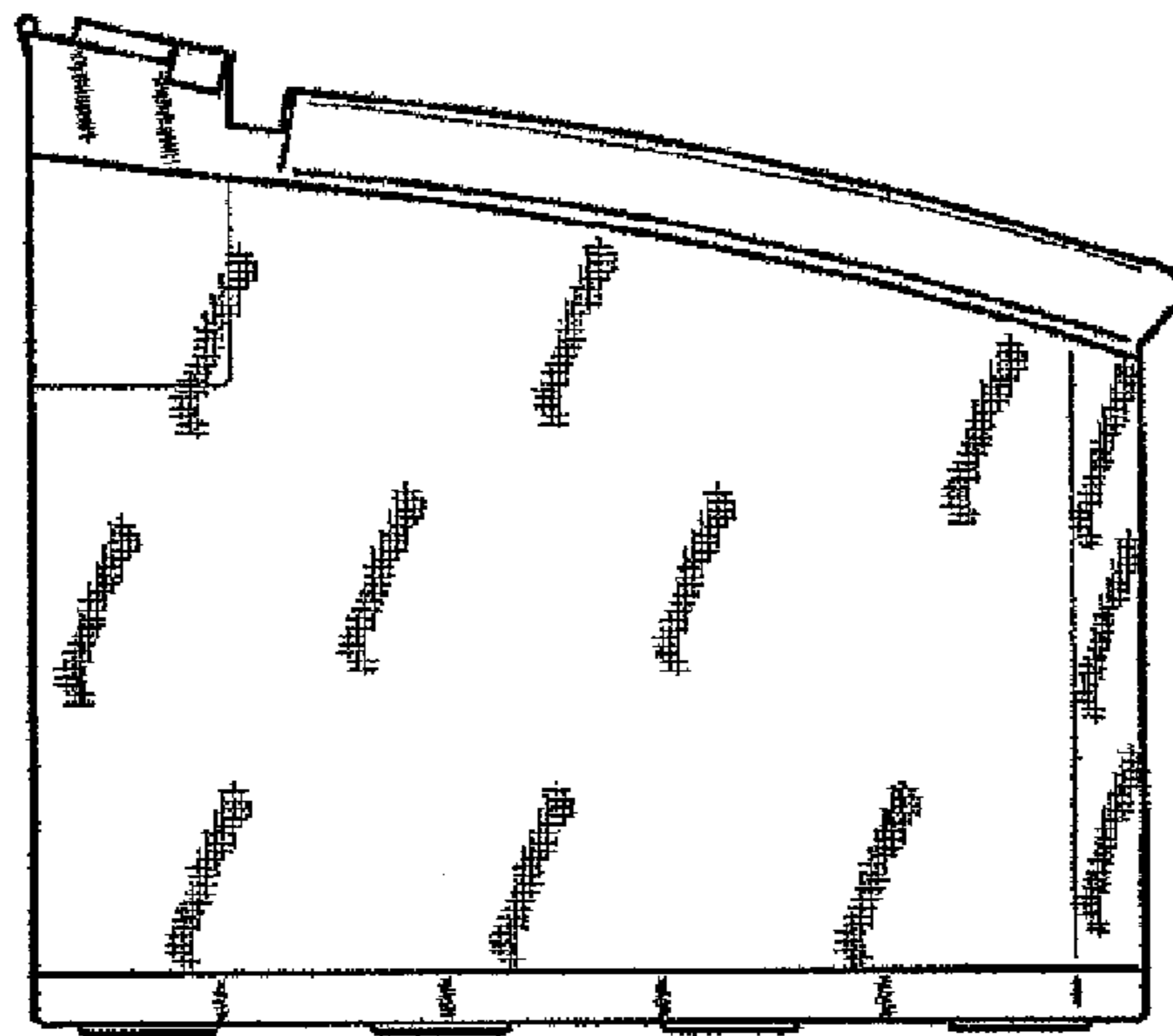


Fig. 4

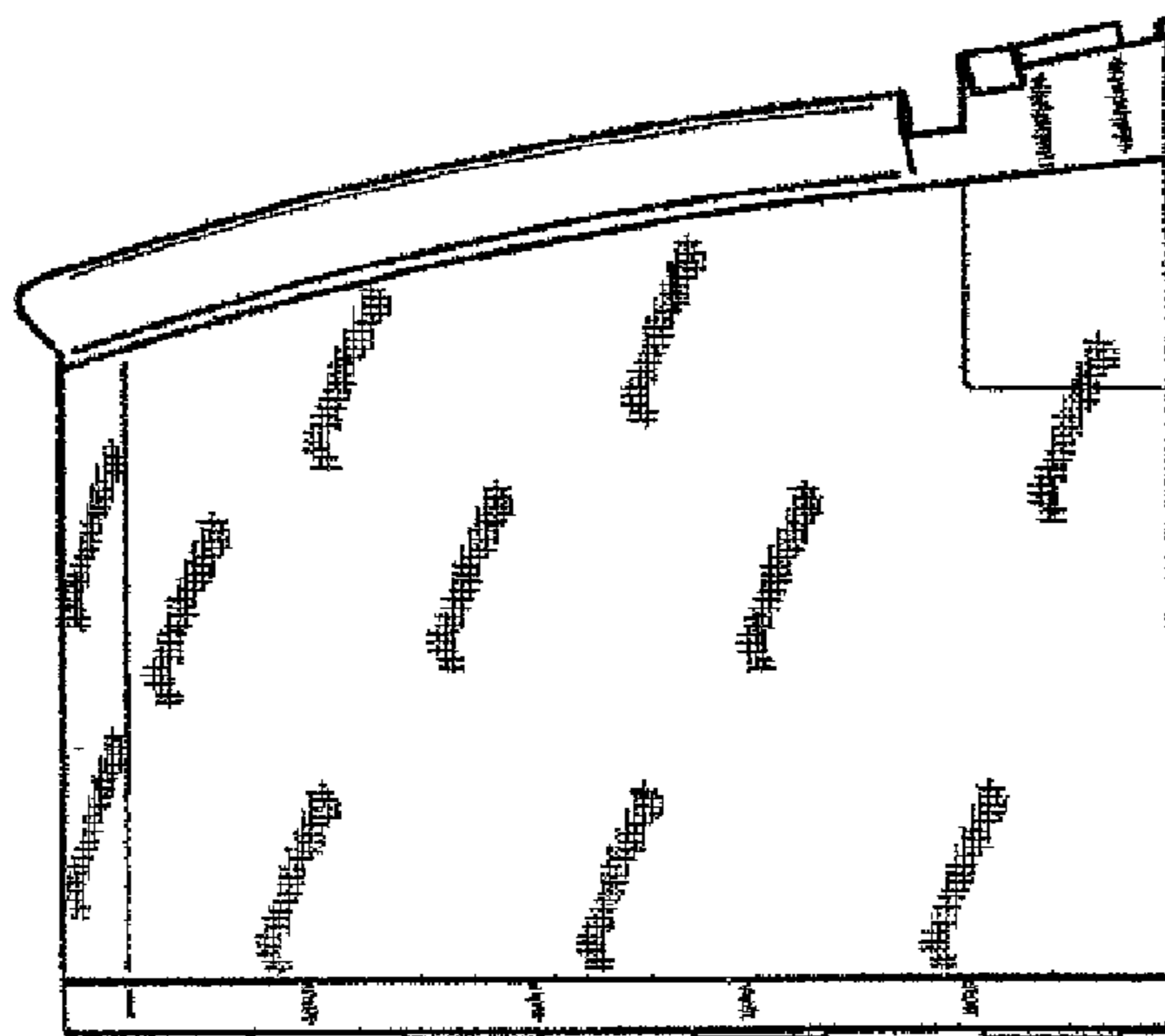


FIG. 5

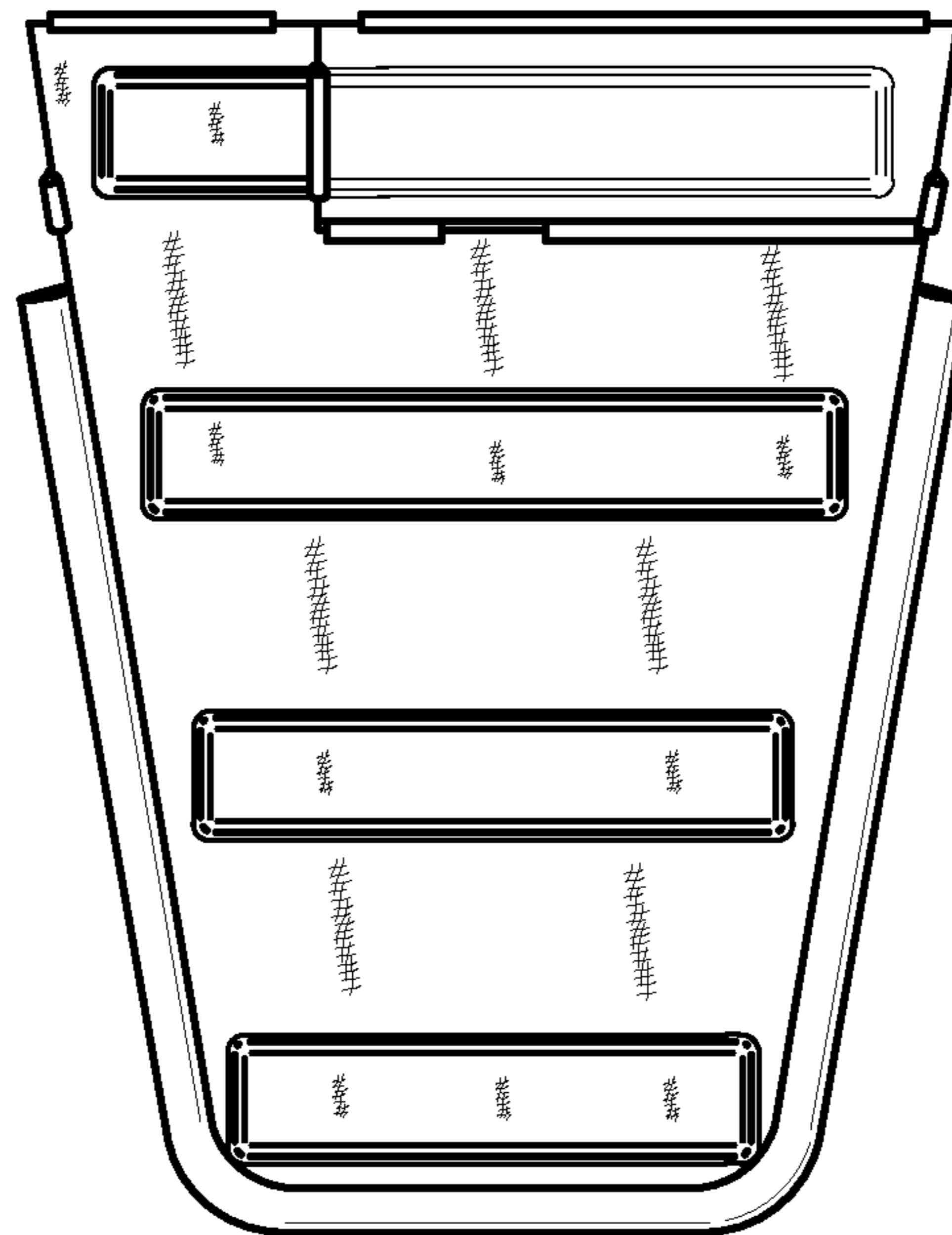


Fig. 6

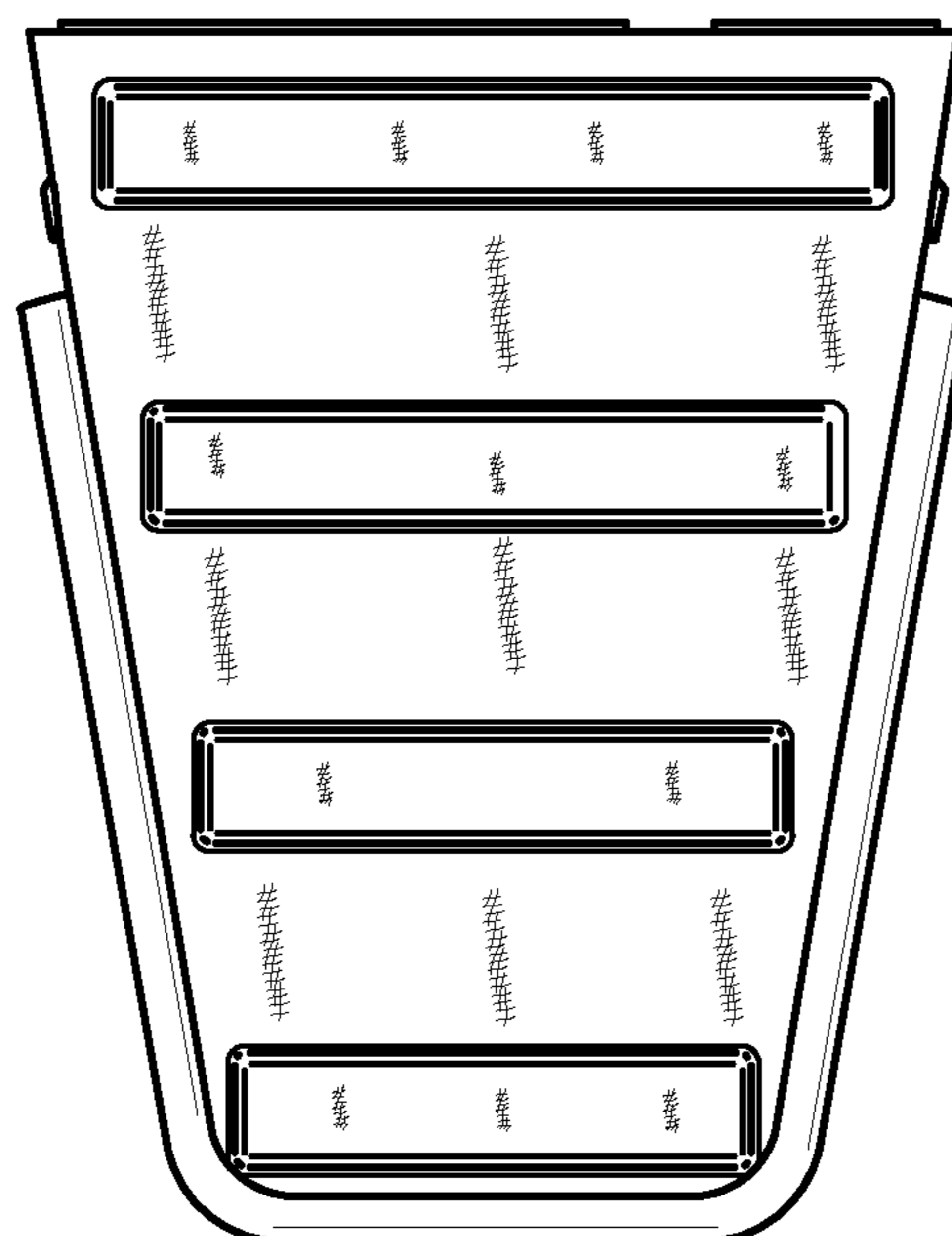


Fig. 7