



US00D681899S

(12) **United States Design Patent**
Bilger et al.

(10) **Patent No.:** **US D681,899 S**

(45) **Date of Patent:** **** May 7, 2013**

(54) **VACUUM ATTACHMENT**

(75) Inventors: **Dan Bilger**, Amherst, NH (US); **Meg McCusker**, Somerville, MA (US); **Alexander J. Calvino**, Cranston, RI (US)

(73) Assignee: **Euro-Pro Operating LLC**, Newton, MA (US)

(**) Term: **14 Years**

(21) Appl. No.: **29/399,965**

(22) Filed: **Aug. 22, 2011**

(51) **LOC (9) Cl.** **15-05**

(52) **U.S. Cl.**
USPC **D32/50; D32/32**

(58) **Field of Classification Search** D32/21,
D32/22, 31-34, 17, 42, 45, 50; 15/1.7, 415.1,
15/416-422.1, 414, 322, 353, 400, 327.1,
15/319, 366, 383, 179, 182, 41.1, 320, 403
See application file for complete search history.

(56) **References Cited**

U.S. PATENT DOCUMENTS

3,780,398	A *	12/1973	Candor	15/415.1
4,336,628	A *	6/1982	Bradshaw et al.	15/415.1
D381,144	S *	7/1997	Moine et al.	D32/32
D402,776	S *	12/1998	Carlson	D32/50
5,987,700	A *	11/1999	Edlund	15/420
D453,247	S *	1/2002	Lee	D32/32
D487,947	S *	3/2004	Pecci et al.	D32/32
D488,600	S *	4/2004	Pecci et al.	D32/32
D490,950	S *	6/2004	Pecci et al.	D32/32
7,013,528	B2	3/2006	Parker et al.	
D522,197	S *	5/2006	Dyson et al.	D32/32
7,137,169	B2	11/2006	Murphy et al.	
D543,669	S *	5/2007	Ikeno et al.	D32/32

7,293,322	B2 *	11/2007	Matousek et al.	15/320
D563,068	S *	2/2008	Jiang et al.	D32/50
7,337,494	B2	3/2008	Baer et al.	
D574,565	S *	8/2008	Harper et al.	D32/50
D585,615	S *	1/2009	Enyuva	D32/50
7,520,015	B1 *	4/2009	Ajello	15/1.7
D612,116	S *	3/2010	Nicholas	D32/33
D617,066	S *	6/2010	Koenig et al.	D32/50
D625,480	S *	10/2010	Raven	D32/50
D629,982	S *	12/2010	Rossano et al.	D32/33
D645,217	S *	9/2011	Rossano et al.	D32/33
D645,218	S *	9/2011	Rossano et al.	D32/33
D647,675	S *	10/2011	Lee	D32/32
D654,237	S *	2/2012	Vrdoljak	D32/32
D657,928	S *	4/2012	Byrne	D32/50
2004/0134016	A1	7/2004	Kisela et al.	
2007/0062000	A1 *	3/2007	Murphy et al.	15/403

* cited by examiner

Primary Examiner — Ruth McInroy

(74) *Attorney, Agent, or Firm* — Iandiorio Teska & Coleman LLP

(57) **CLAIM**

The ornamental design of a vacuum attachment, as shown and described.

DESCRIPTION

FIG. 1 is a perspective view of a vacuum attachment in accordance with the present design;
FIG. 2 is a front elevational view thereof;
FIG. 3 is a rear elevational view thereof;
FIG. 4 is a left side elevational view thereof;
FIG. 5 is a right side elevational view thereof;
FIG. 6 is a top plan view thereof; and,
FIG. 7 is a bottom plan view thereof.
The broken lines in the drawings are for illustrative purposes only and form no part of the claimed design.

1 Claim, 4 Drawing Sheets

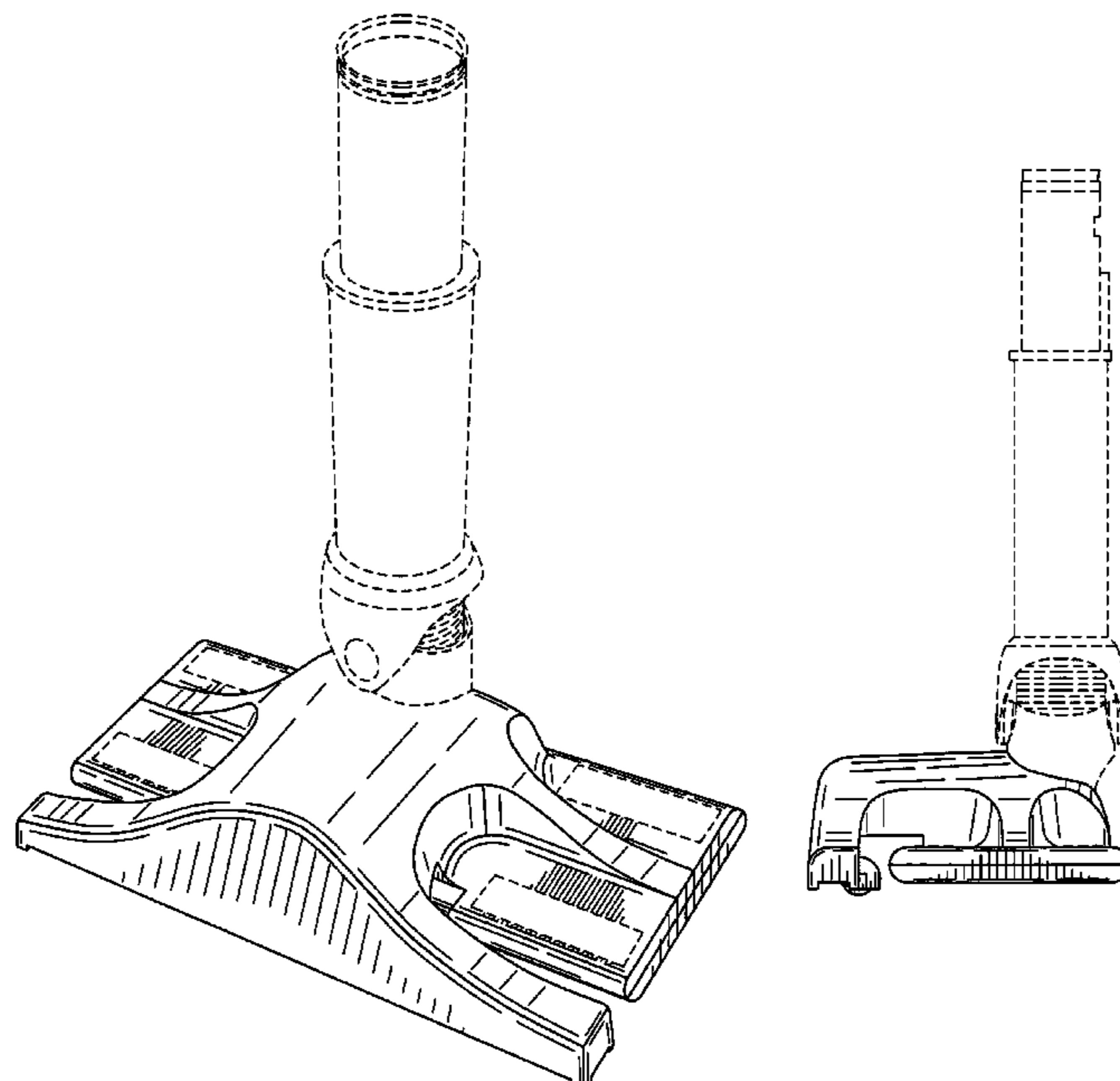


FIG. 1

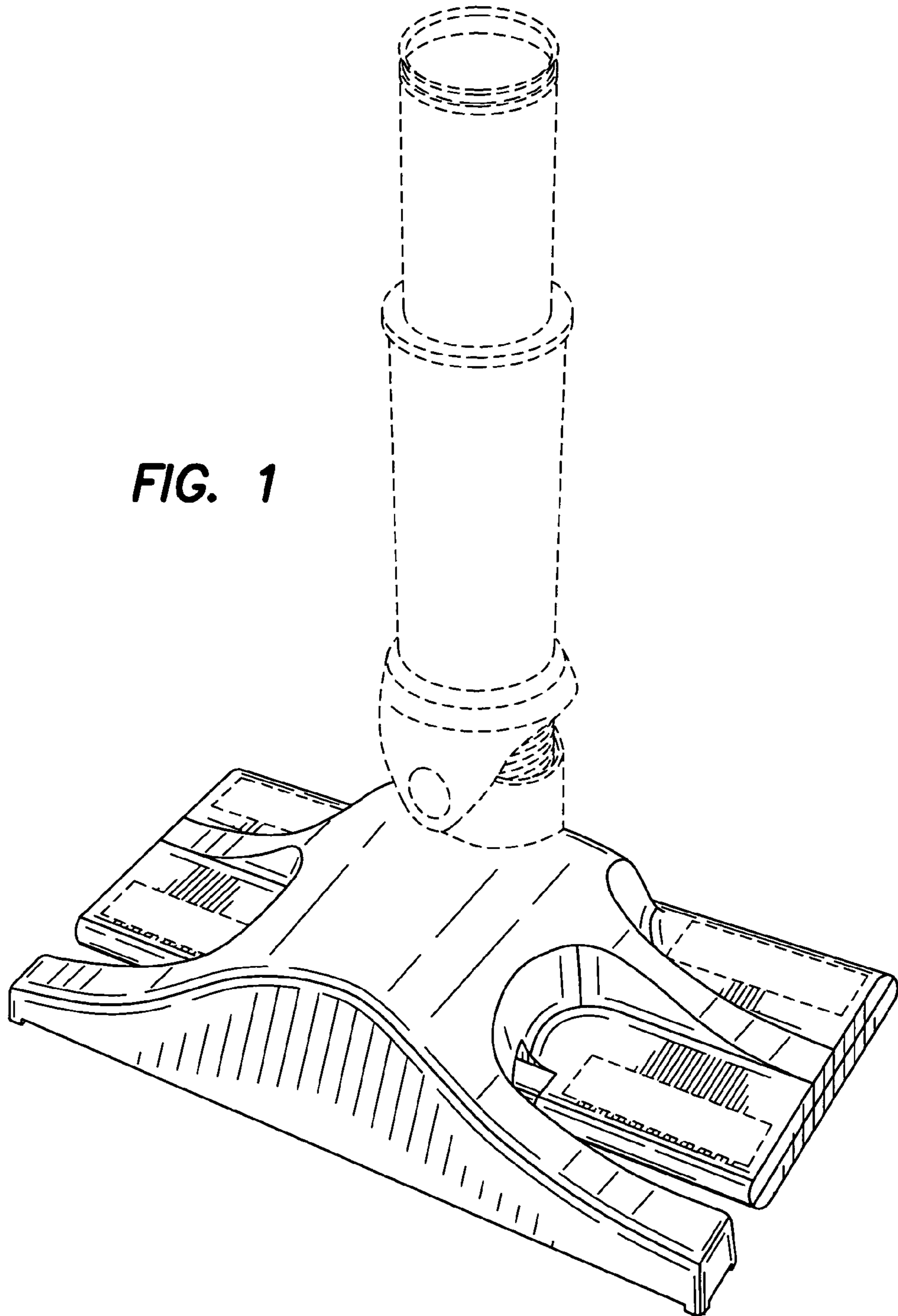


FIG. 2

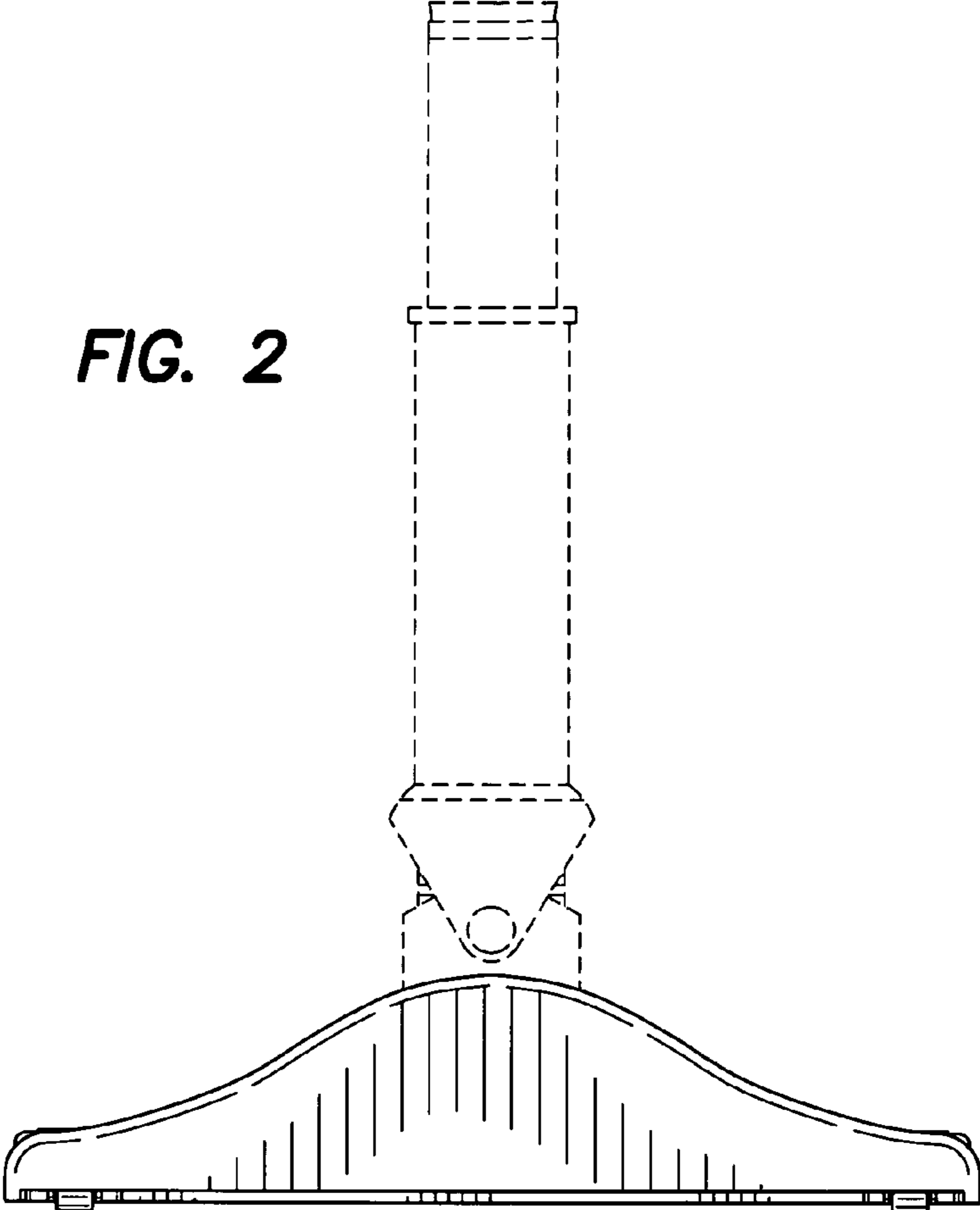
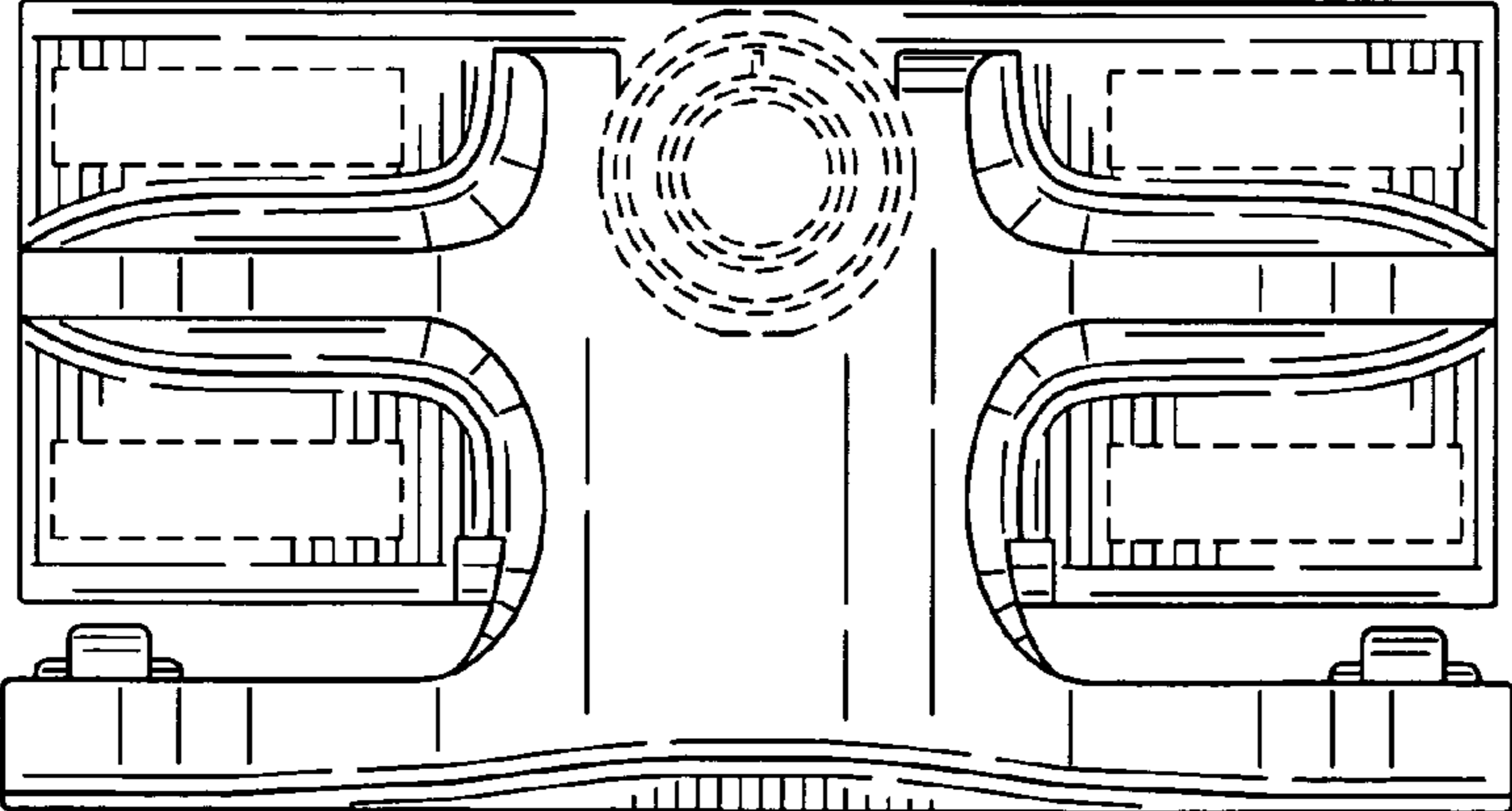


FIG. 6



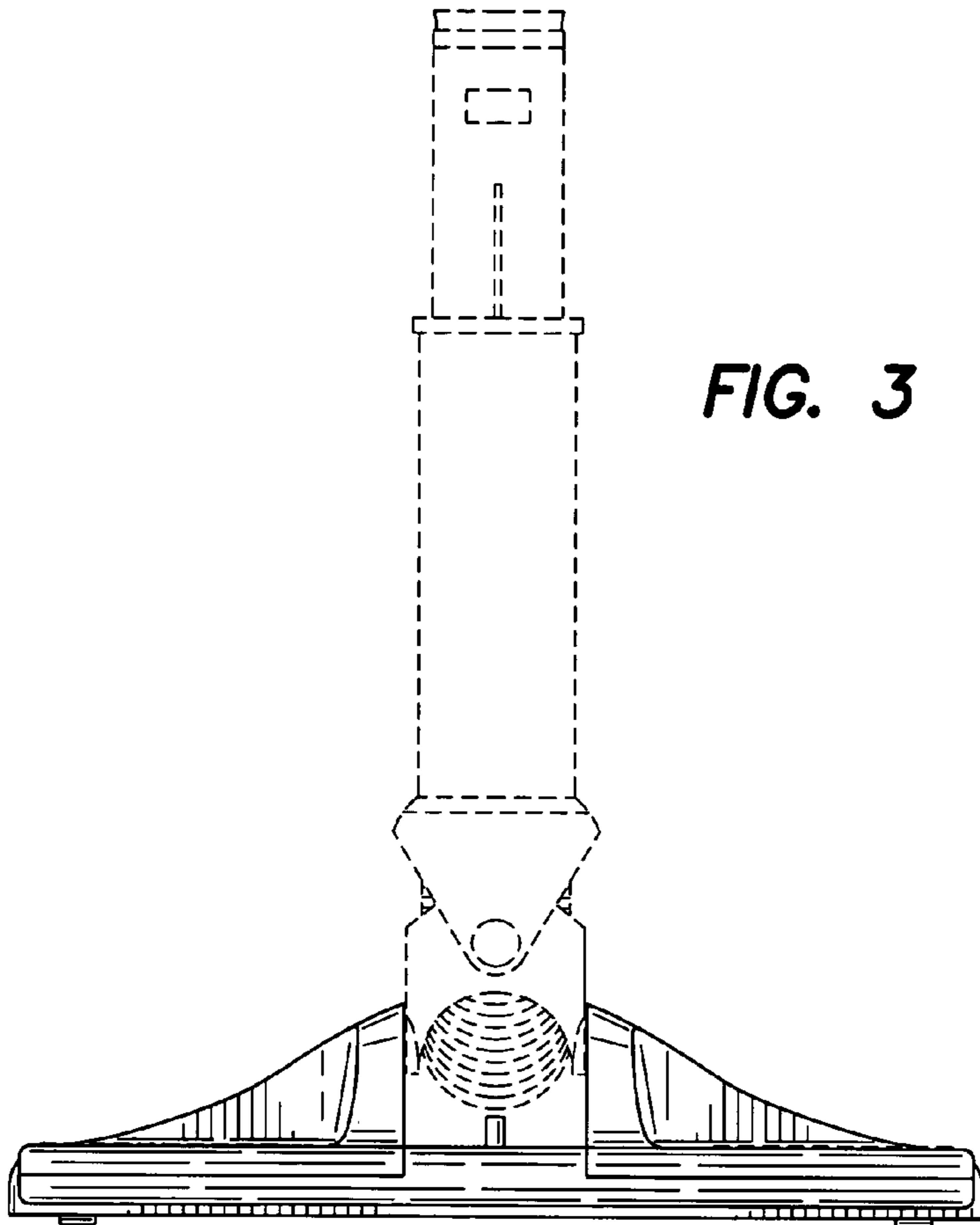


FIG. 7

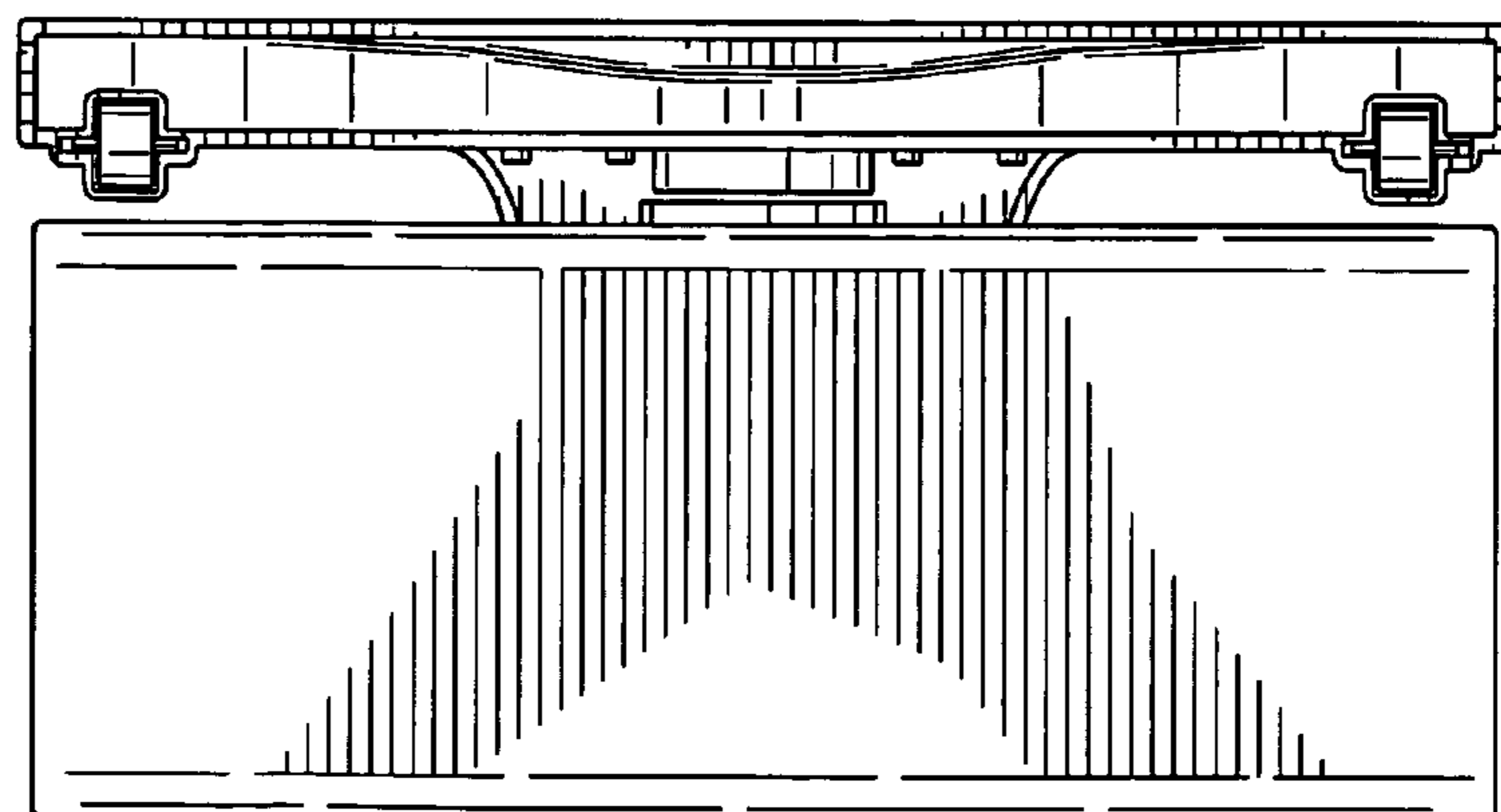


FIG. 4

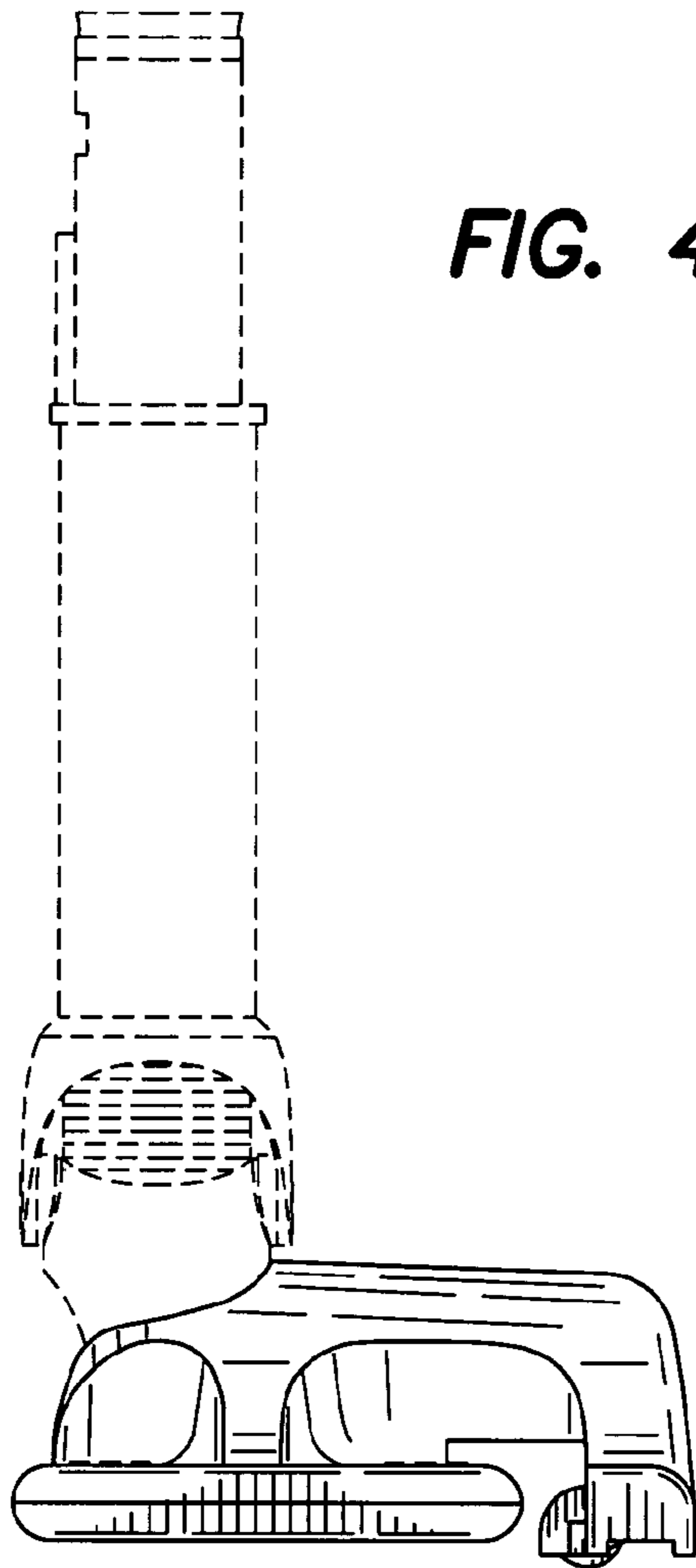


FIG. 5

