



US00D681898S

(12) **United States Design Patent**  
**Wu et al.**

(10) **Patent No.:** **US D681,898 S**  
(45) **Date of Patent:** **\*\* May 7, 2013**

(54) **CLEANER FOR AQUARIUM**

(75) Inventors: **Wang Wu**, Baolong Industrial (CN);  
**Bangbing Yang**, Baolong Industrial (CN)

(73) Assignee: **Shenzhen Xingrisheng Industrial Co., Ltd.**, Shenzhen (CN)

(\*\*) Term: **14 Years**

(21) Appl. No.: **29/431,815**

(22) Filed: **Sep. 11, 2012**

(30) **Foreign Application Priority Data**

Apr. 10, 2012 (CN) ..... 2012 3 0102659

(51) **LOC (9) Cl.** ..... **08-99**

(52) **U.S. Cl.**  
USPC ..... **D32/35; D32/52**

(58) **Field of Classification Search** ..... D32/35,  
D32/40, 42, 52; D4/129, 137; 15/104.001,  
15/220.1, 220.2, 232, 236.01; 134/6; 119/245,  
119/264, 269; 401/10  
See application file for complete search history.

(56) **References Cited**

**U.S. PATENT DOCUMENTS**

3,208,090 A \* 9/1965 Roesel, Jr. .... 15/220.2  
3,492,685 A \* 2/1970 Curzon ..... 15/220.2  
3,609,793 A \* 10/1971 Kaftan ..... 15/220.2  
4,144,091 A \* 3/1979 Tran ..... 134/6

4,977,637 A \* 12/1990 Demers ..... 15/104.001  
5,988,109 A \* 11/1999 Rofen ..... 119/245  
6,348,104 B1 \* 2/2002 Bakker ..... 134/6  
D466,259 S \* 11/2002 Wang ..... D32/35  
D505,268 S \* 5/2005 Potempa ..... D4/129  
D547,954 S \* 8/2007 Thurin et al. .... D4/137  
7,313,841 B2 \* 1/2008 Huang ..... 15/220.2  
2006/0090278 A1 \* 5/2006 Hang ..... 15/220.2  
2008/0163444 A1 \* 7/2008 Schwartz ..... 15/236.01  
2009/0106925 A1 \* 4/2009 Cheyne ..... 15/220.2  
2010/0083983 A1 \* 4/2010 Linden et al. .... 134/6

\* cited by examiner

*Primary Examiner* — Caron D Veynar  
*Assistant Examiner* — Martie K Holtje

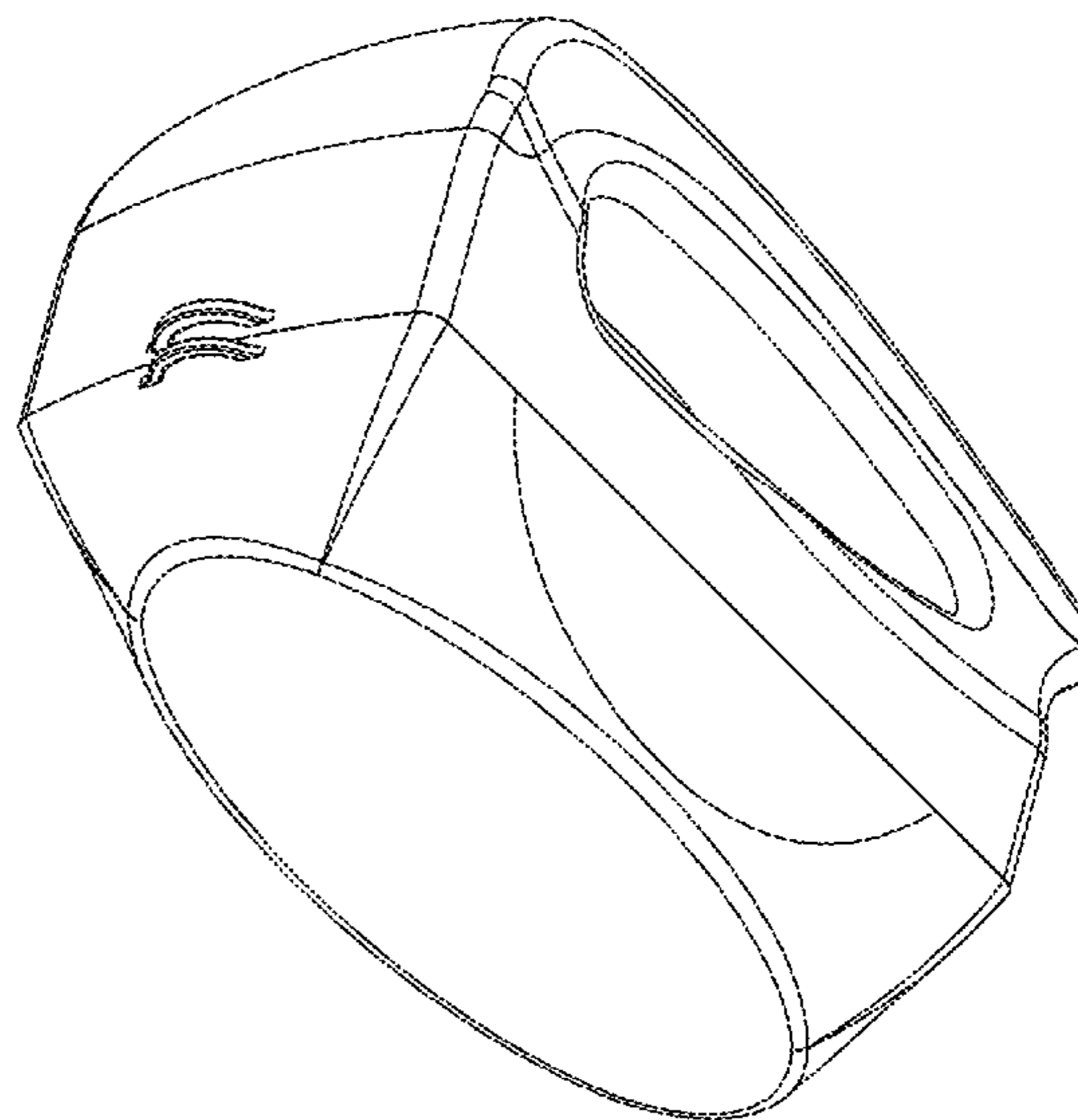
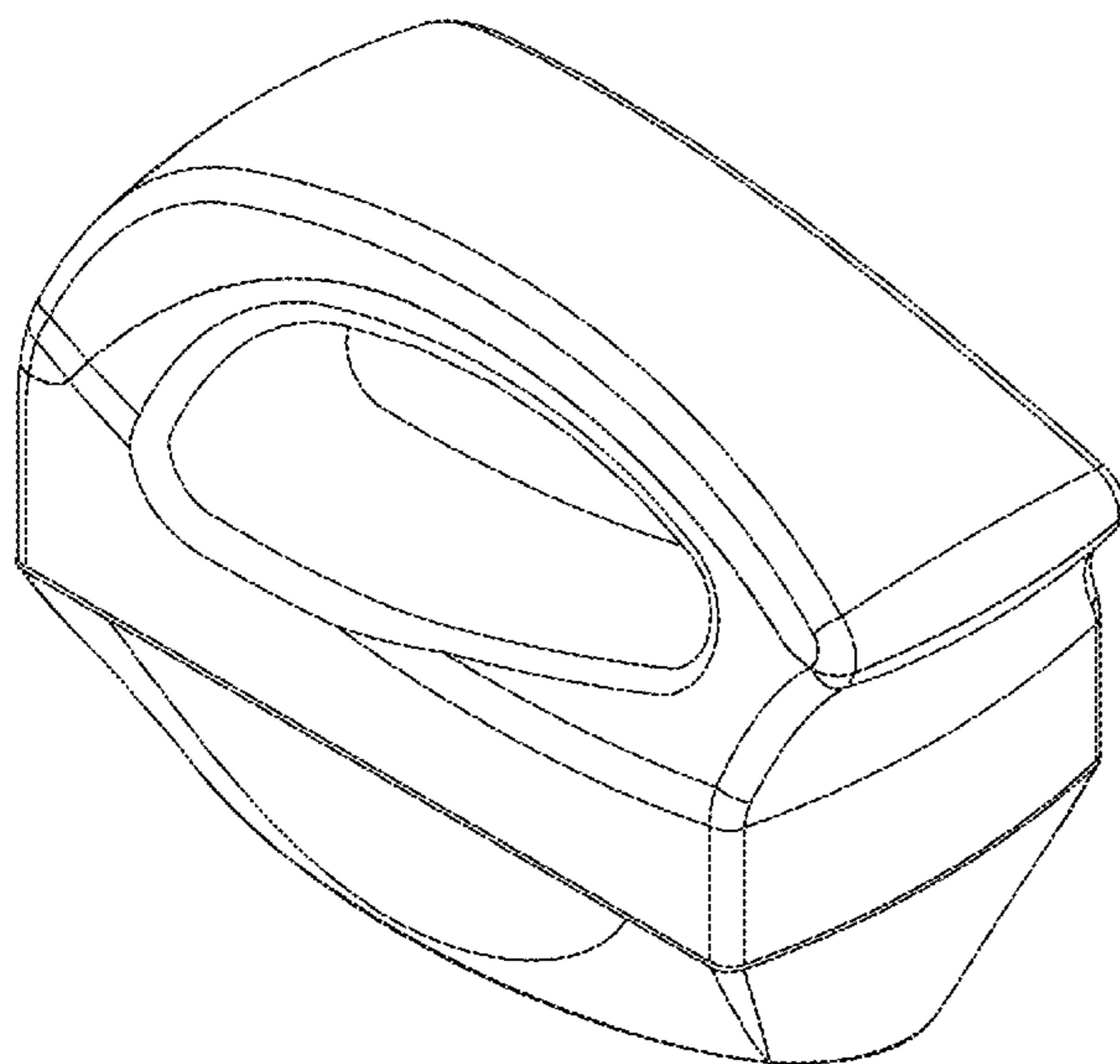
(57) **CLAIM**

The ornamental design for a cleaner for aquarium, as shown and described.

**DESCRIPTION**

FIG. 1 is a top perspective view of a cleaner for aquarium showing our new design;  
FIG. 2 is a bottom perspective view thereof;  
FIG. 3 is an exploded perspective view thereof;  
FIG. 4 is a right side elevational view thereof;  
FIG. 5 is a left side elevational view thereof;  
FIG. 6 is a front elevational view thereof;  
FIG. 7 is a rear elevational view thereof;  
FIG. 8 is a top plan view thereof; and,  
FIG. 9 is a bottom plan view thereof.

**1 Claim, 5 Drawing Sheets**



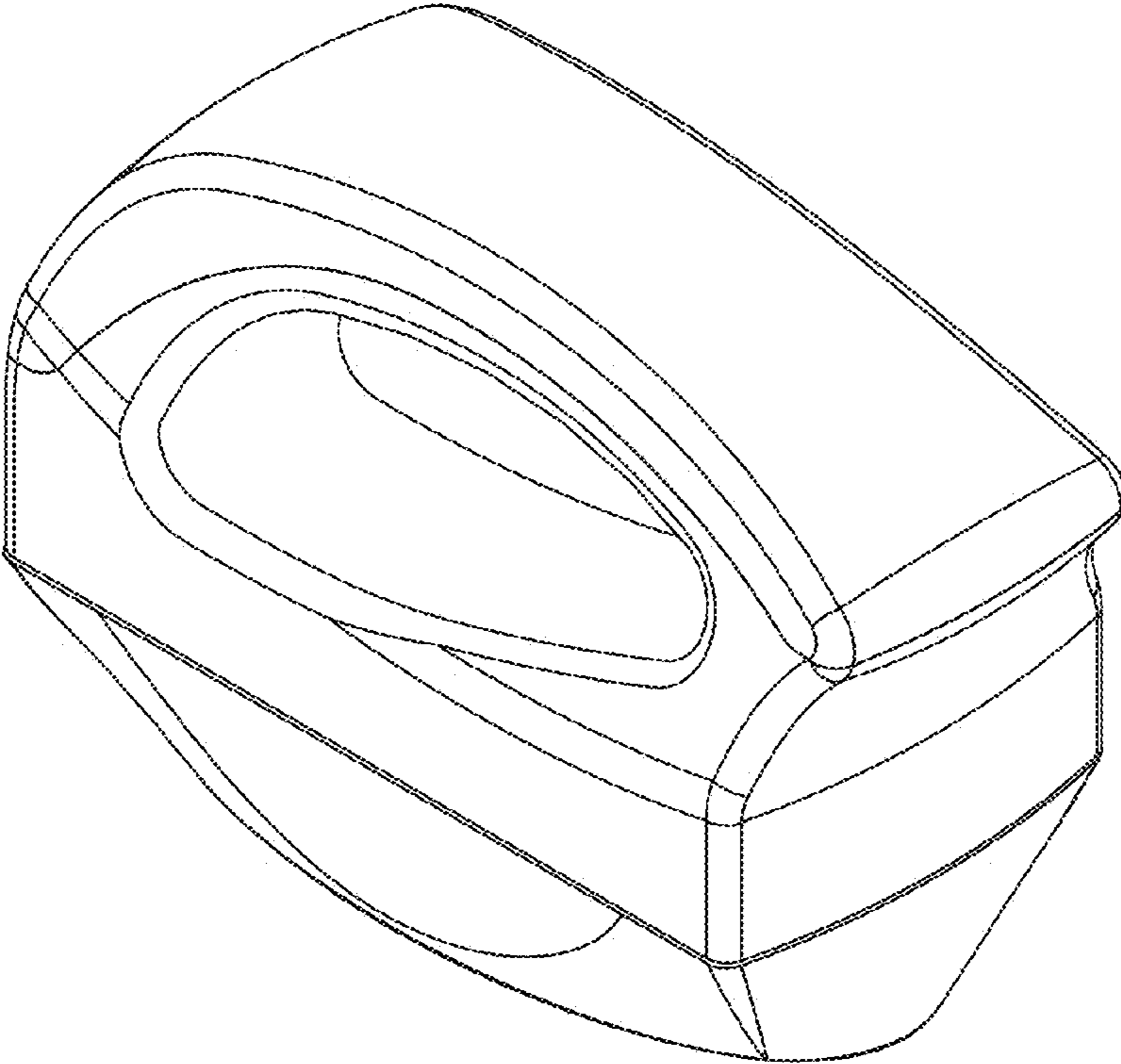


Fig.1

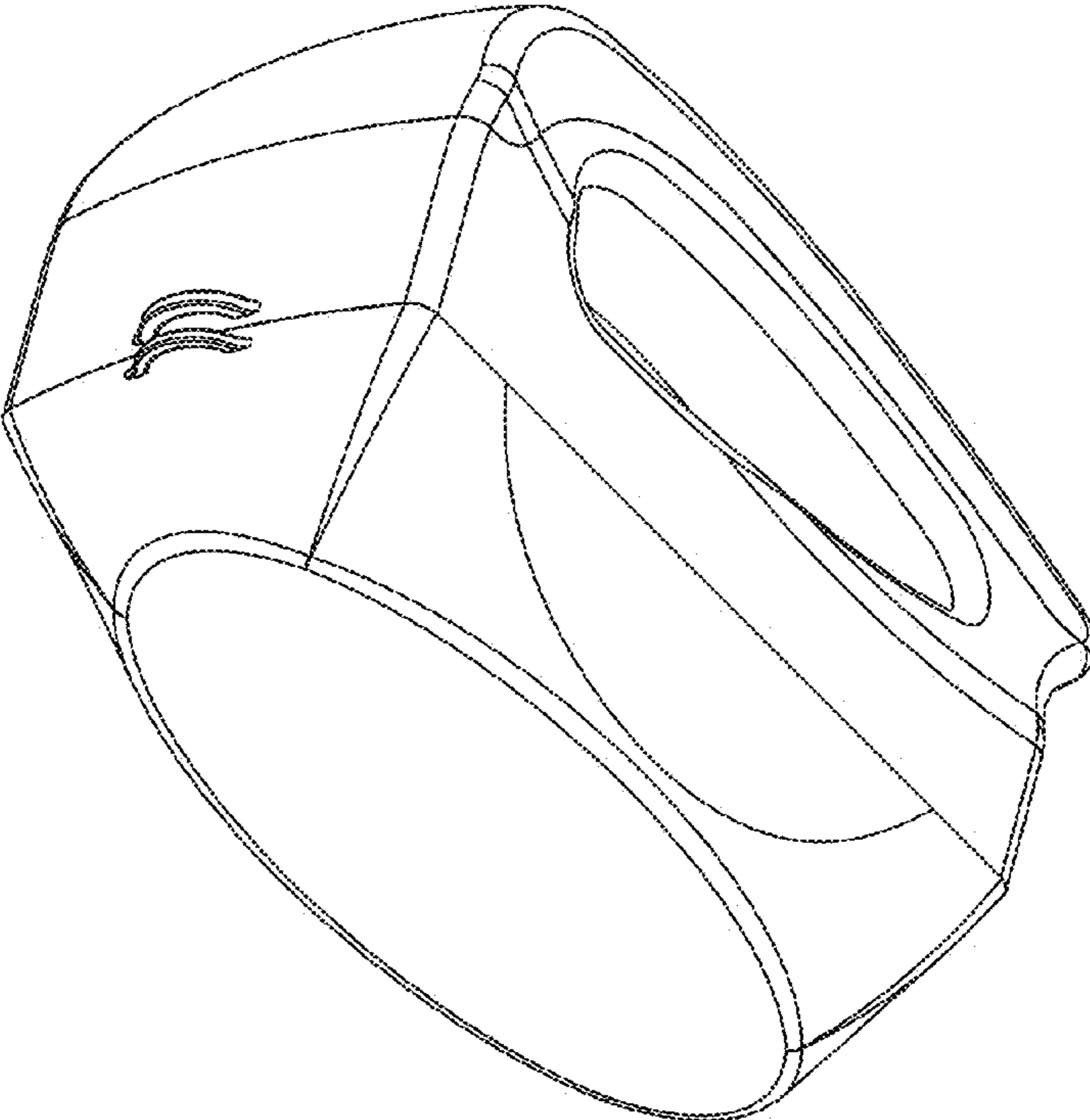


Fig.2

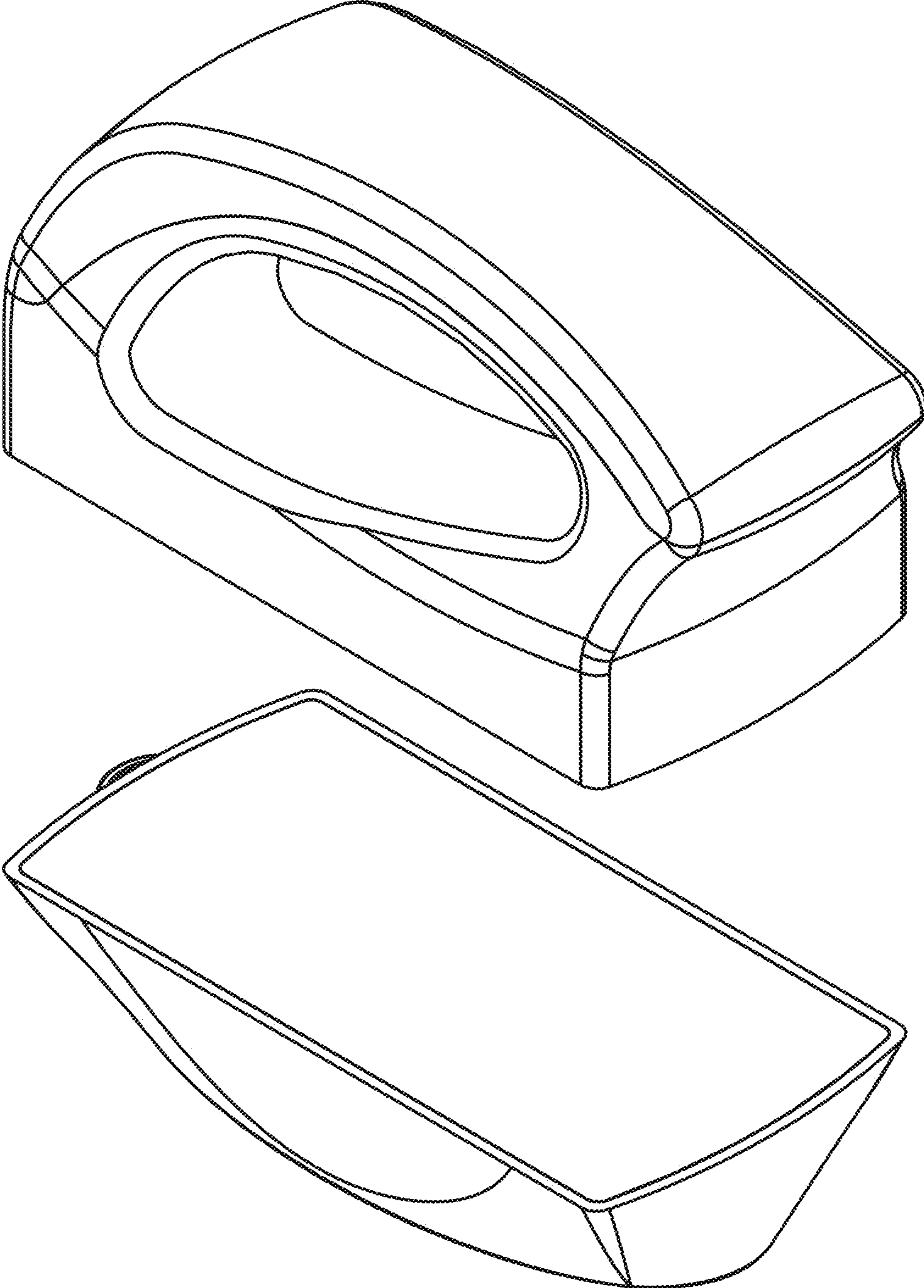


Fig.3



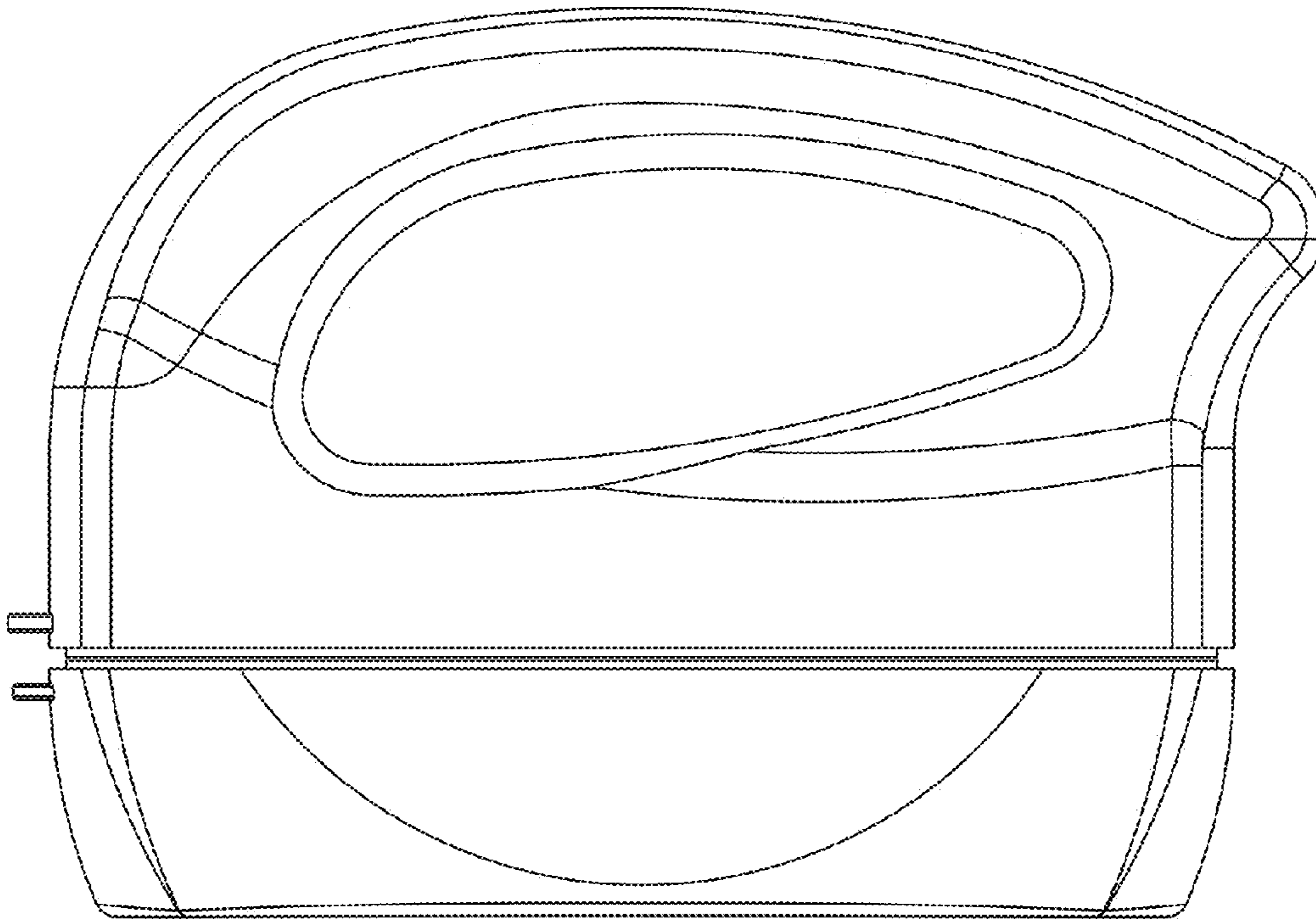


Fig.4

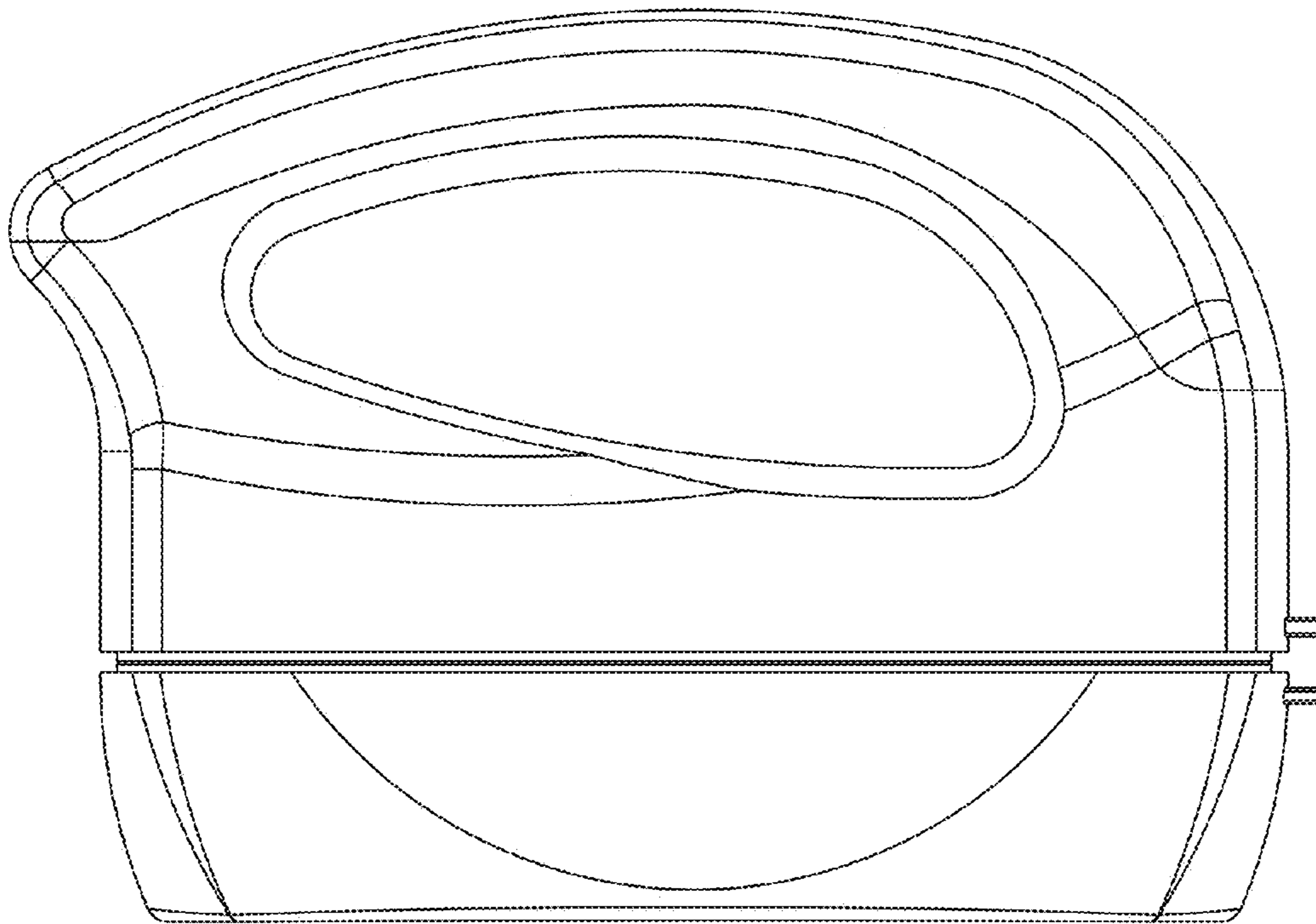


Fig.5

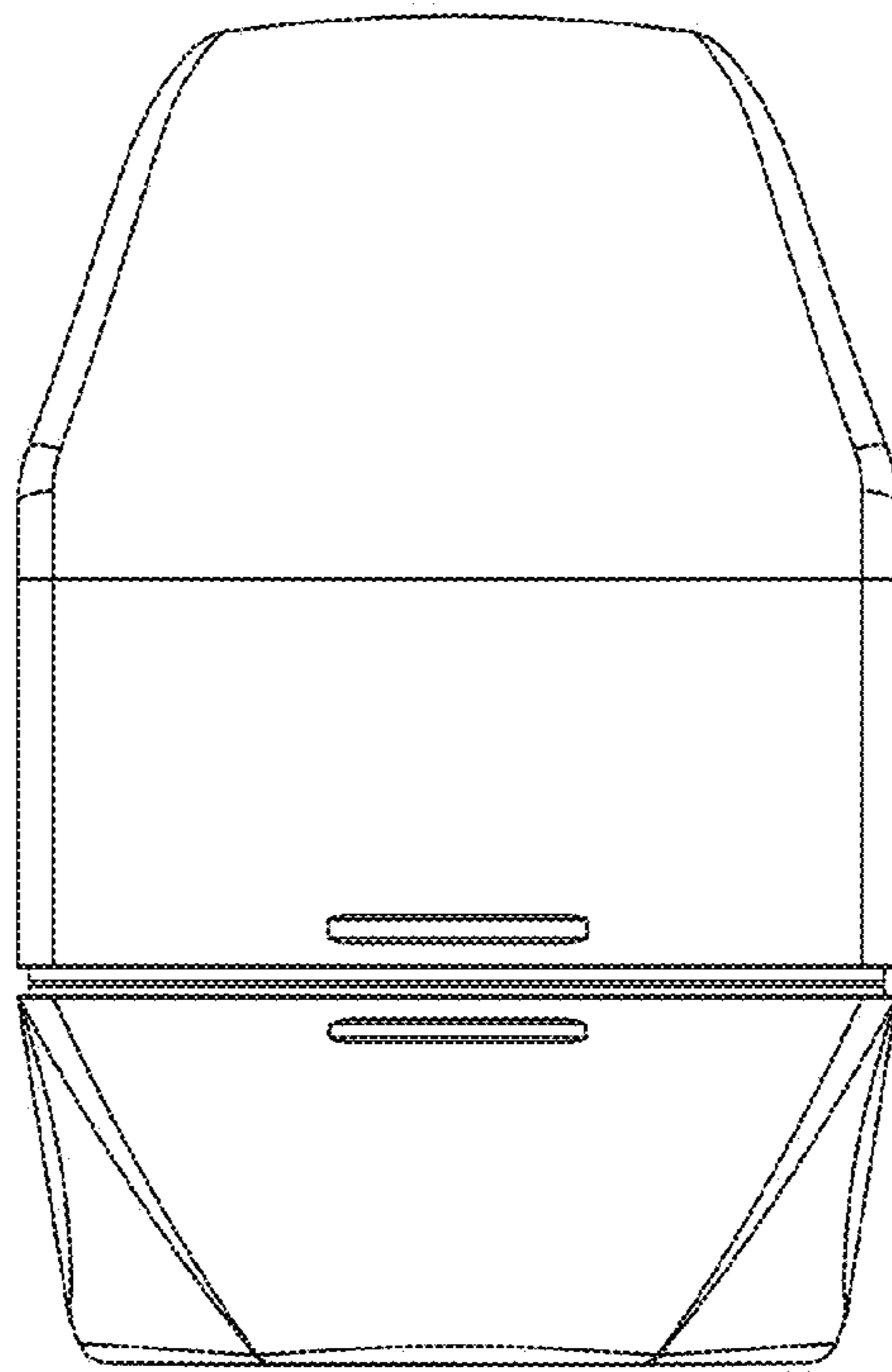


Fig.6

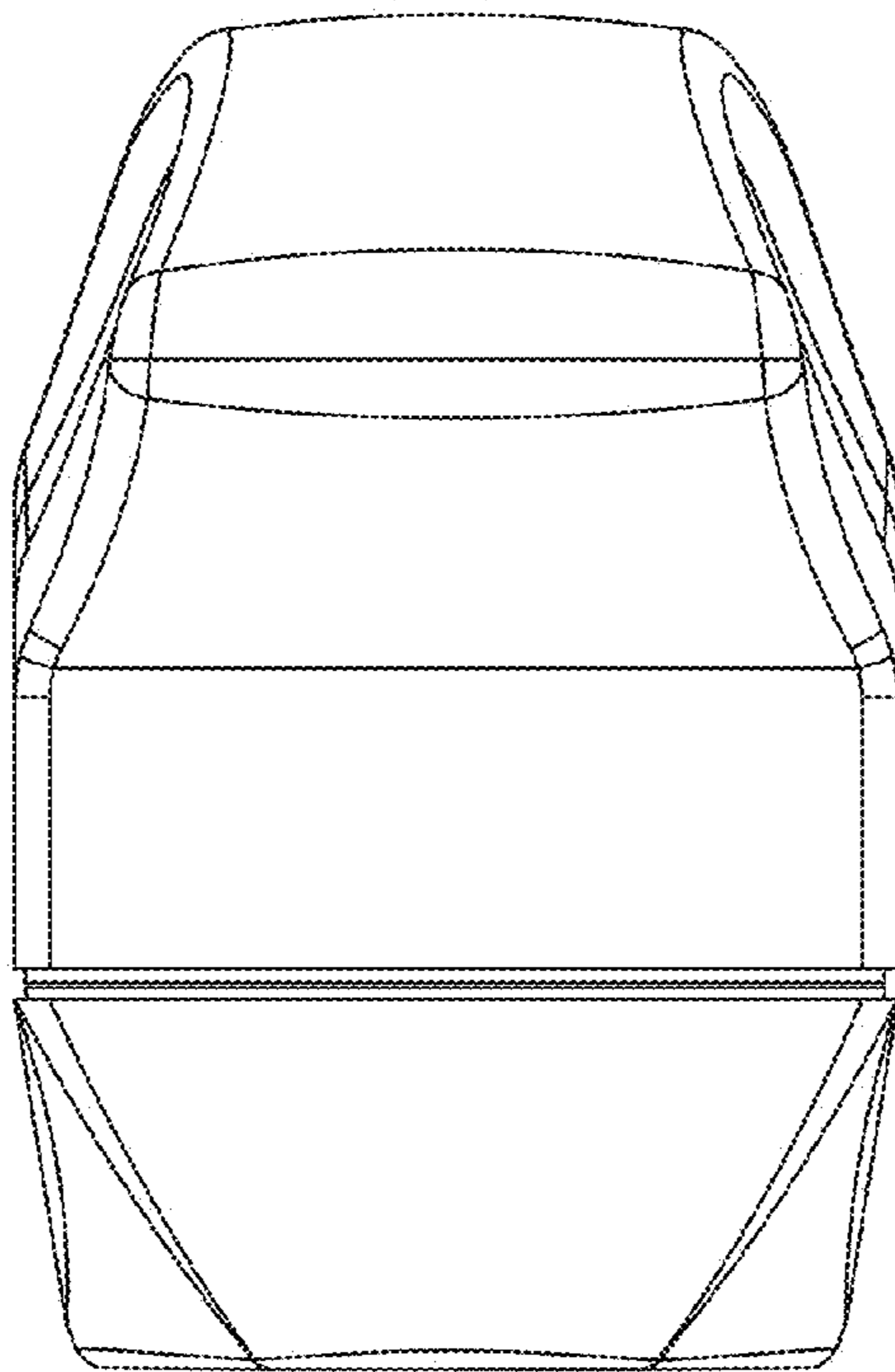


Fig.7

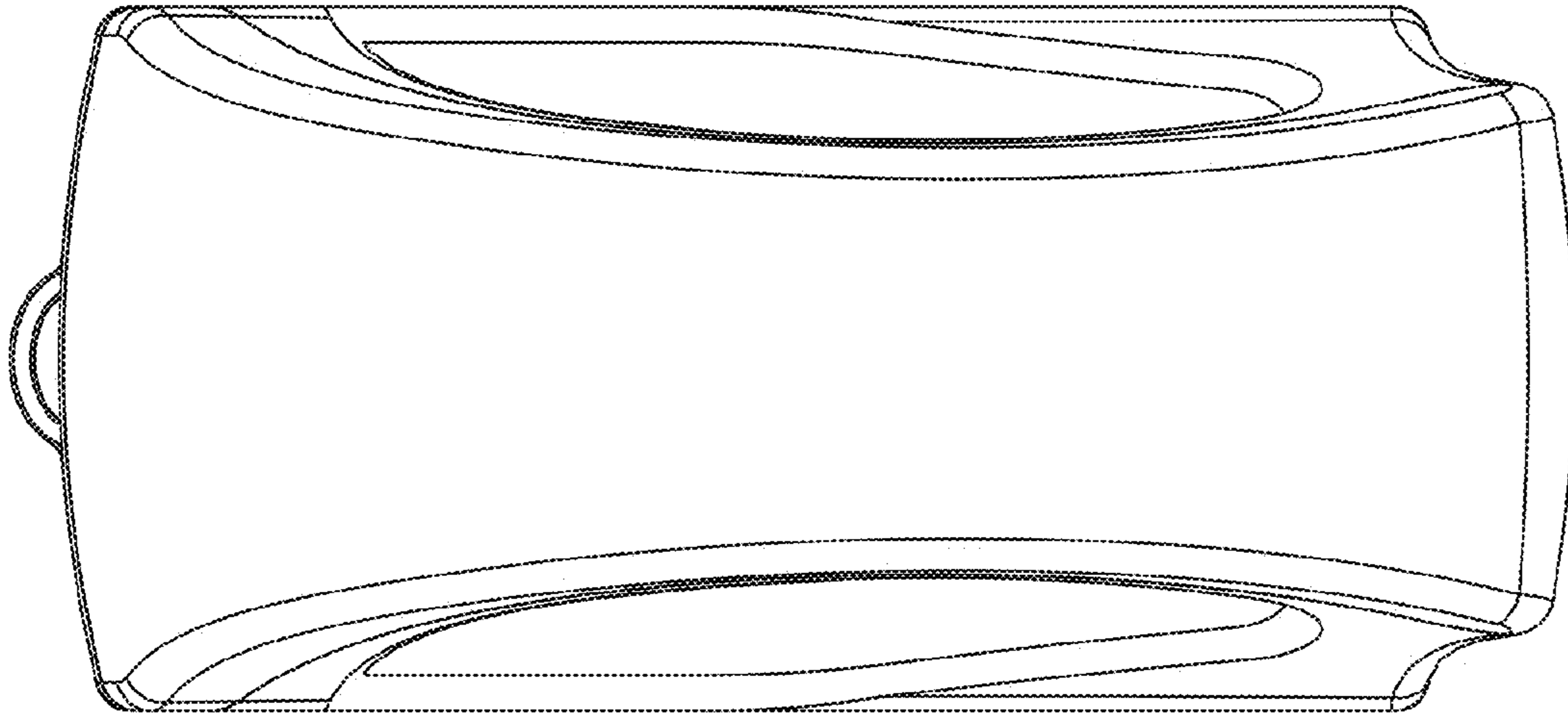


Fig.8

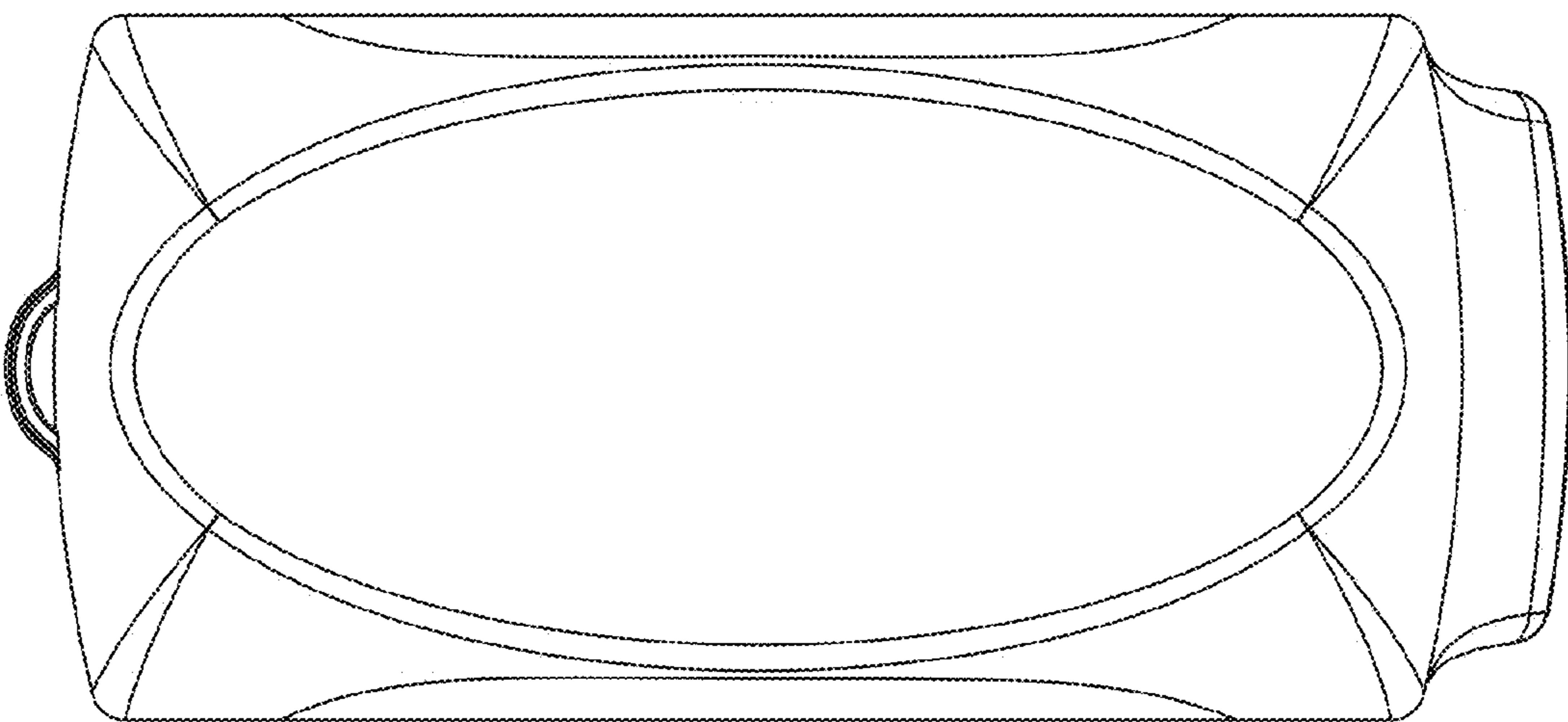


Fig.9