



US00D681897S

(12) **United States Design Patent**
Bruneel

(10) **Patent No.:** **US D681,897 S**

(45) **Date of Patent:** **** May 7, 2013**

(54) **TRIANGULAR VACUUM HEAD**

(76) Inventor: **Jean Julien Bruneel**, Kowloon (HK)

(**) Term: **14 Years**

(21) Appl. No.: **29/412,650**

(22) Filed: **Feb. 6, 2012**

(30) **Foreign Application Priority Data**

Aug. 11, 2011 (EM) 001903436-0001

(51) **LOC (9) Cl.** **15-05**

(52) **U.S. Cl.**

USPC **D32/33**

(58) **Field of Classification Search** D32/17-18,
D32/31-33; 15/321-322, 415.1-422.1, 246.2,
15/400, 353; 38/77.5, 77.9; 392/384, 404;
68/5 R, 5 A, 222; 223/51, 70, 73; 239/538;
119/677, 652, 600, 612, 615, 618; D30/158
See application file for complete search history.

(56) **References Cited**

U.S. PATENT DOCUMENTS

D208,851 S * 10/1967 Lindberg, Jr. D32/33
5,347,679 A * 9/1994 Saunders et al. 15/416
D460,232 S * 7/2002 Weihrauch D32/50

6,430,773 B1 * 8/2002 Buron et al. 15/420
D488,600 S * 4/2004 Pecci et al. D32/32
7,293,327 B2 * 11/2007 Tagliaferri 15/415.1
D568,016 S * 4/2008 Ponikvar et al. D32/32
D629,982 S * 12/2010 Rossano et al. D32/33
D645,218 S * 9/2011 Rossano et al. D32/33
D647,675 S * 10/2011 Lee D32/32
2007/0074358 A1 * 4/2007 Tsai 15/42
2007/0094829 A1 * 5/2007 Dotterman et al. 15/228
2010/0275400 A1 * 11/2010 Milanese 15/228
2012/0204376 A1 * 8/2012 Charlton 15/322

* cited by examiner

Primary Examiner — Ruth McInroy

(74) *Attorney, Agent, or Firm* — George G. Wang; Bei & Ocean

(57) **CLAIM**

The ornamental design for a triangular vacuum head, as shown and described.

DESCRIPTION

FIG. 1 is a perspective view of a triangular vacuum head showing my new design;
FIG. 2 is a front view thereof;
FIG. 3 is a left side view thereof;
FIG. 4 is a right side view thereof;
FIG. 5 is a rear view thereof; and,
FIG. 6 is a top view thereof.

1 Claim, 6 Drawing Sheets

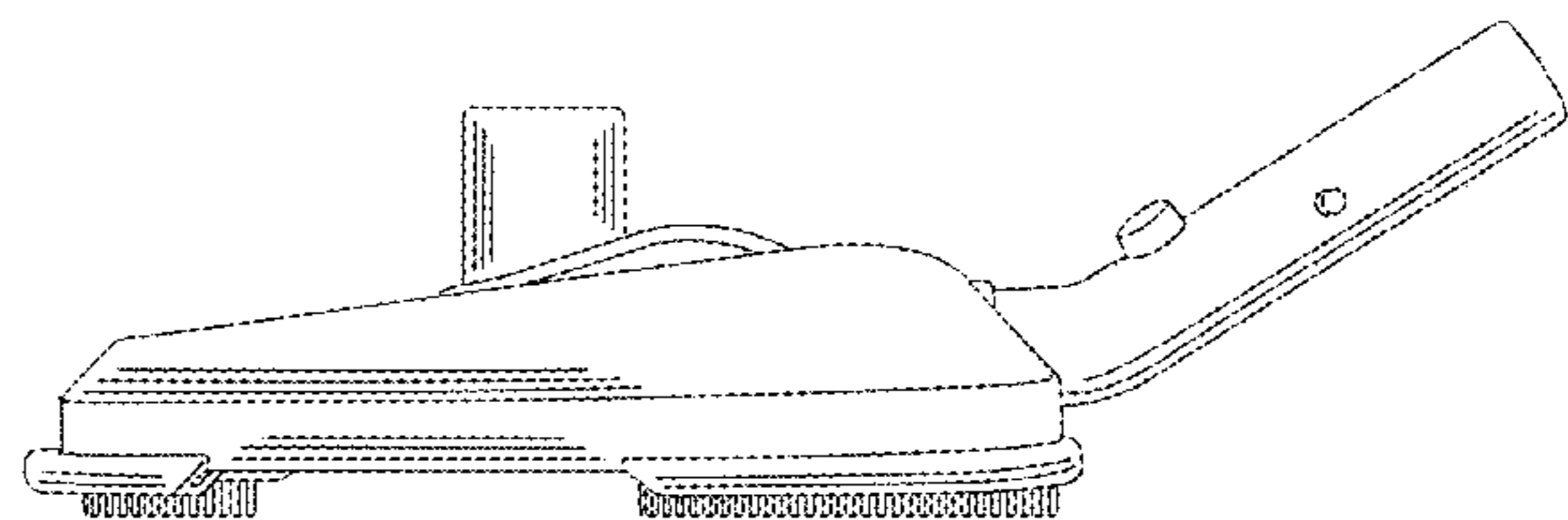
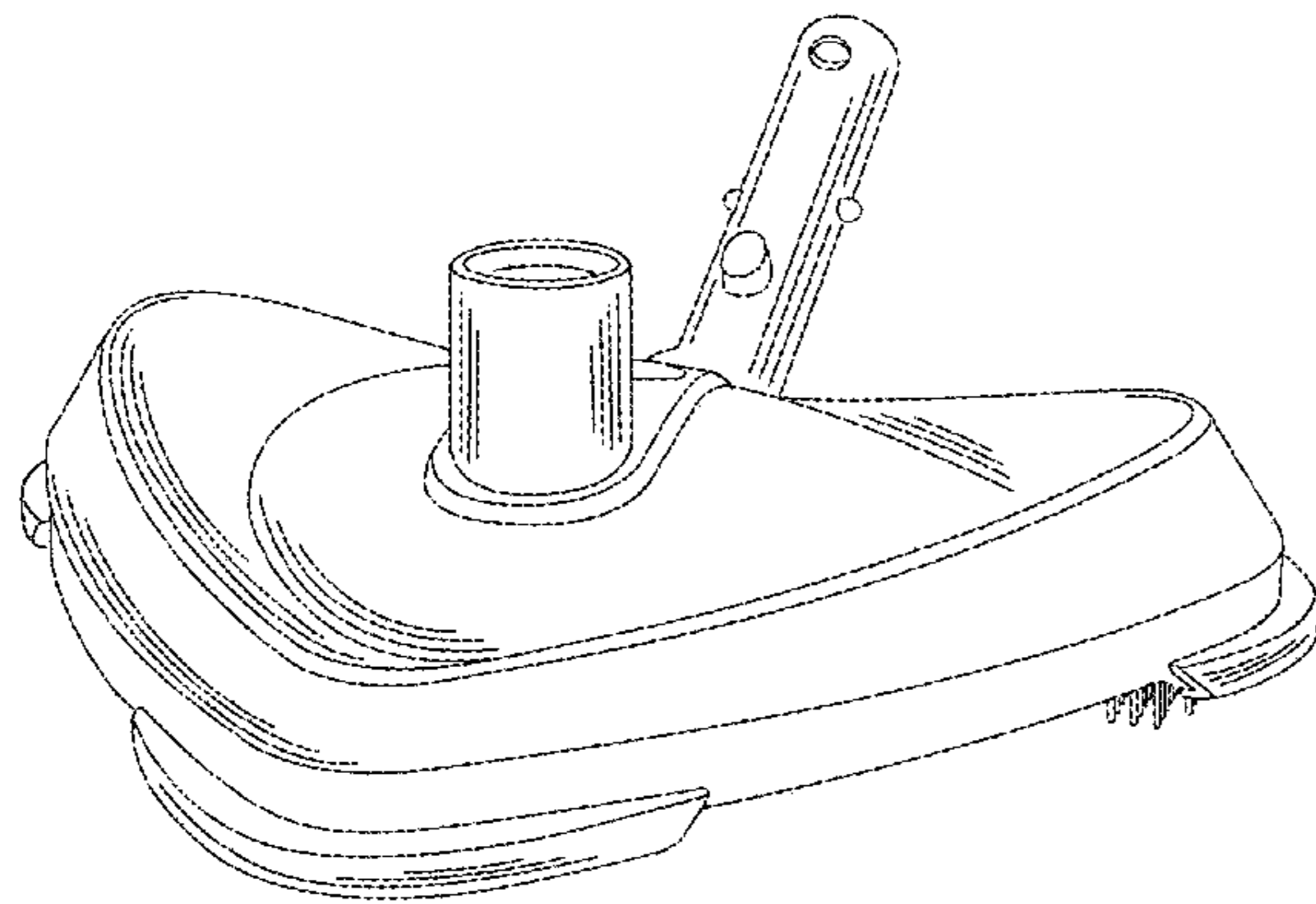


FIG. 1

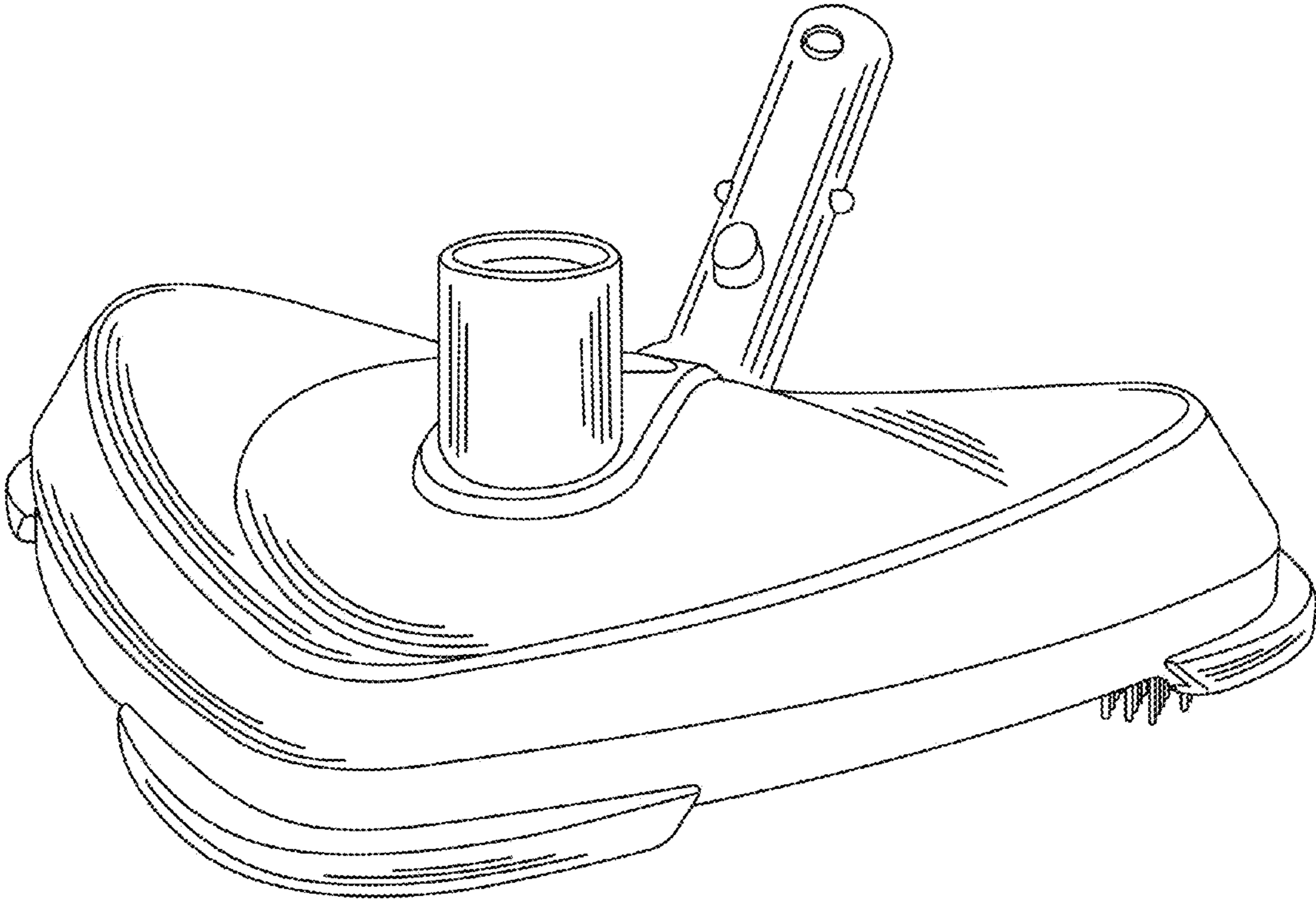


FIG. 2

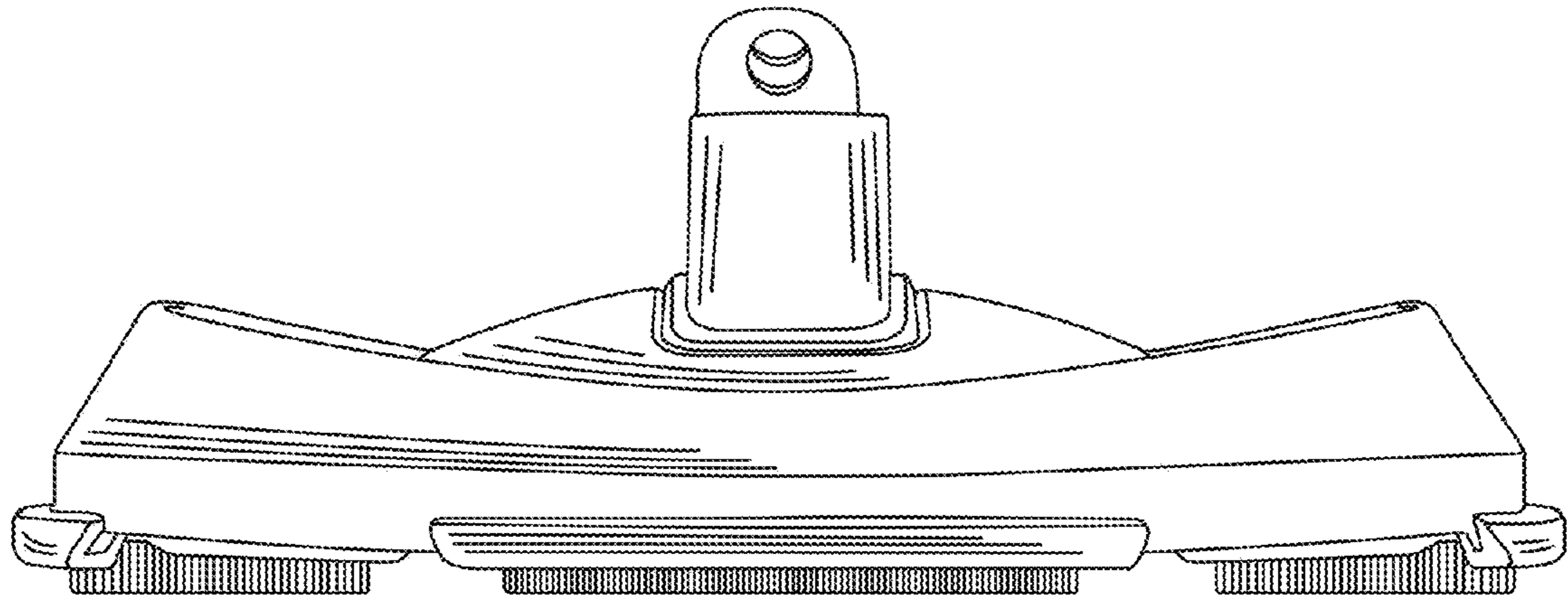


FIG. 3

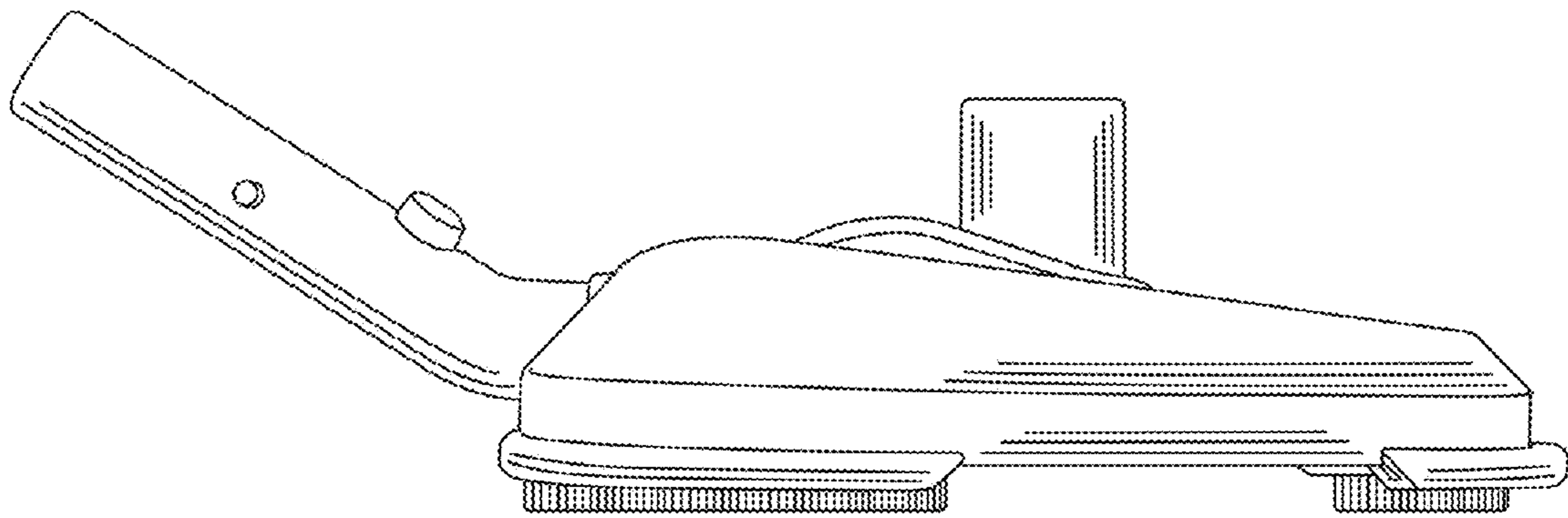


FIG. 4

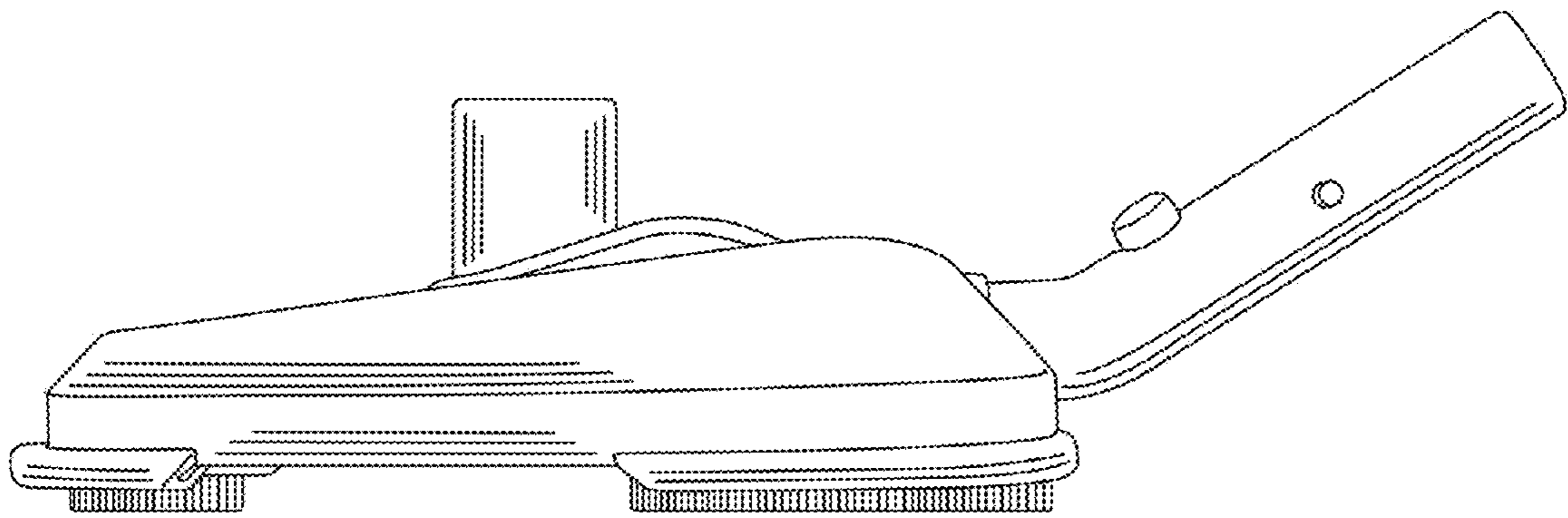


FIG. 5

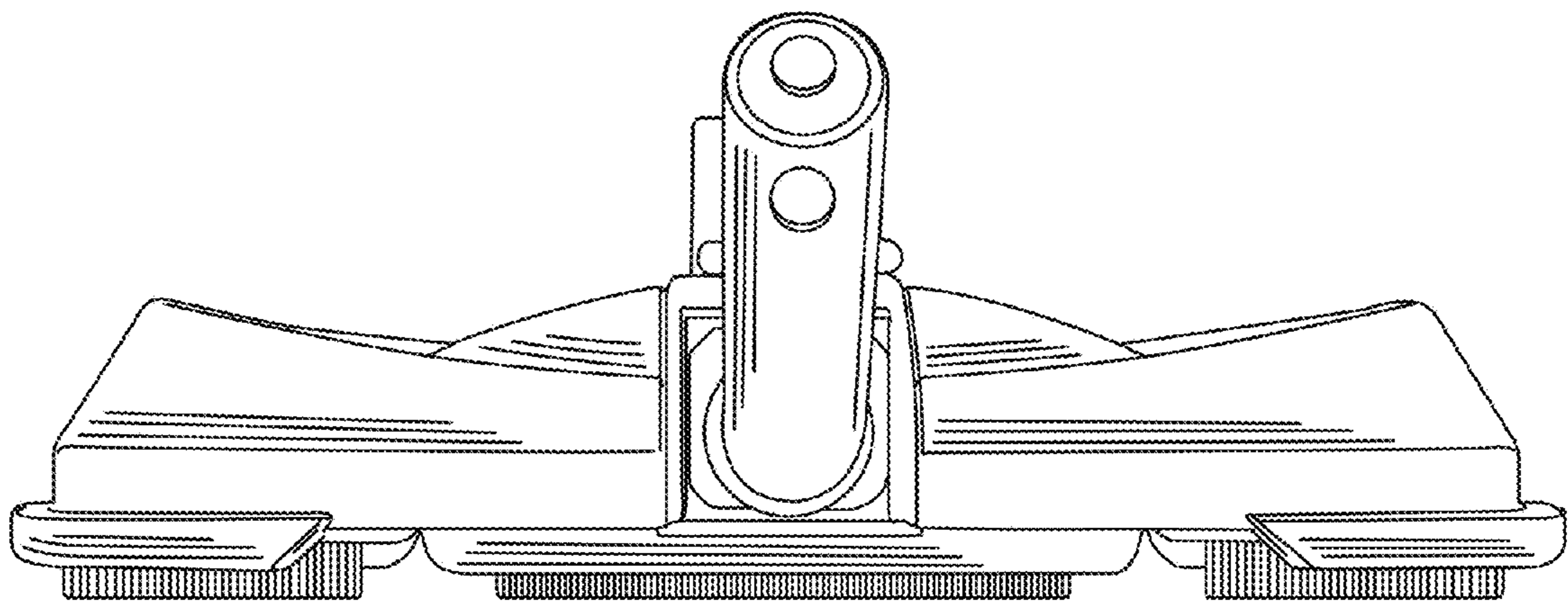


FIG. 6

