



US00D681896S

(12) **United States Design Patent**
Wertz

(10) **Patent No.:** **US D681,896 S**

(45) **Date of Patent:** **** May 7, 2013**

(54) **VACCUM HOSE ATTACHMENT**

(76) Inventor: **Robert Wertz**, Salt Lake City, UT (US)

(**) Term: **14 Years**

(21) Appl. No.: **29/421,147**

(22) Filed: **Jun. 1, 2012**

(51) **LOC (9) Cl.** **15-05**

(52) **U.S. Cl.**
USPC **D32/32**

(58) **Field of Classification Search** D32/17-18,
D32/31-33; 15/321-322, 415.1-422.1, 246.2,
15/400, 353; 38/77.5, 77.9; 392/384, 404;
68/5 R, 5 A, 222; 223/51, 70, 73; 239/538;
119/677, 652, 600, 612, 615, 618; D30/158
See application file for complete search history.

(56) **References Cited**

U.S. PATENT DOCUMENTS

D148,681 S *	2/1948	Dreyfuss	D32/33
D223,173 S *	3/1972	Howard et al.	D32/32
D311,615 S *	10/1990	Berfield et al.	D32/32
D381,144 S *	7/1997	Moine et al.	D32/32
D392,780 S *	3/1998	Holsten et al.	D32/33
D424,766 S *	5/2000	Martin	D32/32
D439,711 S *	3/2001	Griffin	D32/32
6,421,875 B1 *	7/2002	Coombs et al.	15/420
D468,499 S *	1/2003	Kitts	D32/32

D484,287 S *	12/2003	Murphy et al.	D32/32
D518,259 S *	3/2006	Wertz	D32/33
D522,197 S *	5/2006	Dyson et al.	D32/32
D563,615 S *	3/2008	Roschi	D32/32
D580,611 S *	11/2008	Roschi	D32/33
D599,065 S *	8/2009	Roschi	D32/32
D635,315 S *	3/2011	Wertz	D32/32
D643,169 S *	8/2011	Calvert	D32/33
D643,582 S *	8/2011	Ashbee et al.	D32/33

* cited by examiner

Primary Examiner — Ruth McInroy

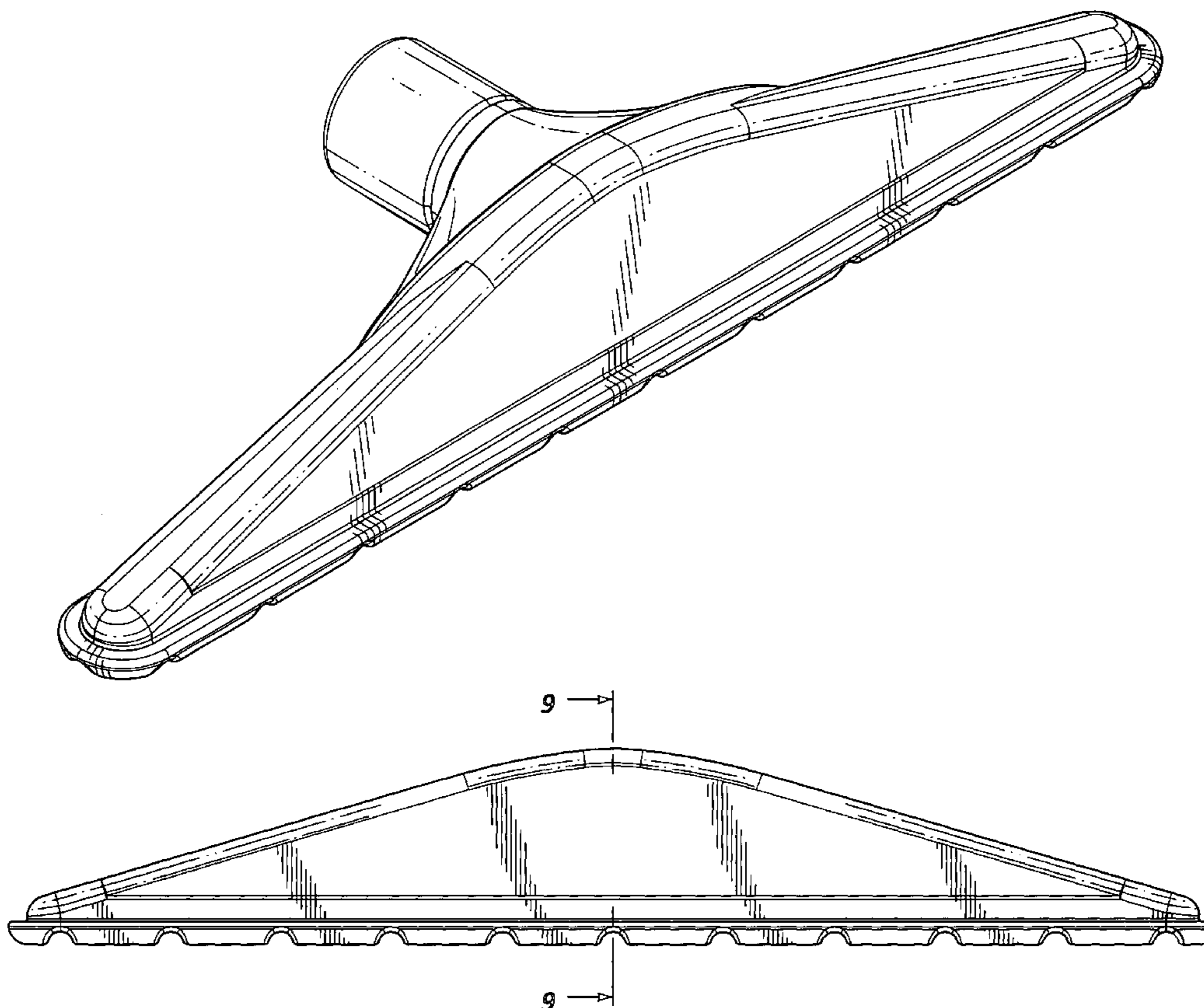
(57) **CLAIM**

I claim the ornamental design for a vacuum hose attachment, as shown and described.

DESCRIPTION

FIG. 1 is a top, front and left side perspective view of a vacuum hose attachment showing my new design; FIG. 2, a bottom, rear and right side perspective view thereof; FIG. 3, a top plan view thereof; FIG. 4, a rear elevation view thereof; FIG. 5, a bottom plan view thereof; FIG. 6, a front elevation view thereof; FIG. 7, a left side elevation view thereof; FIG. 8, a right side elevation view thereof; and, FIG. 9, a cross-sectional view taken along line 9-9 in FIG. 6.

1 Claim, 5 Drawing Sheets



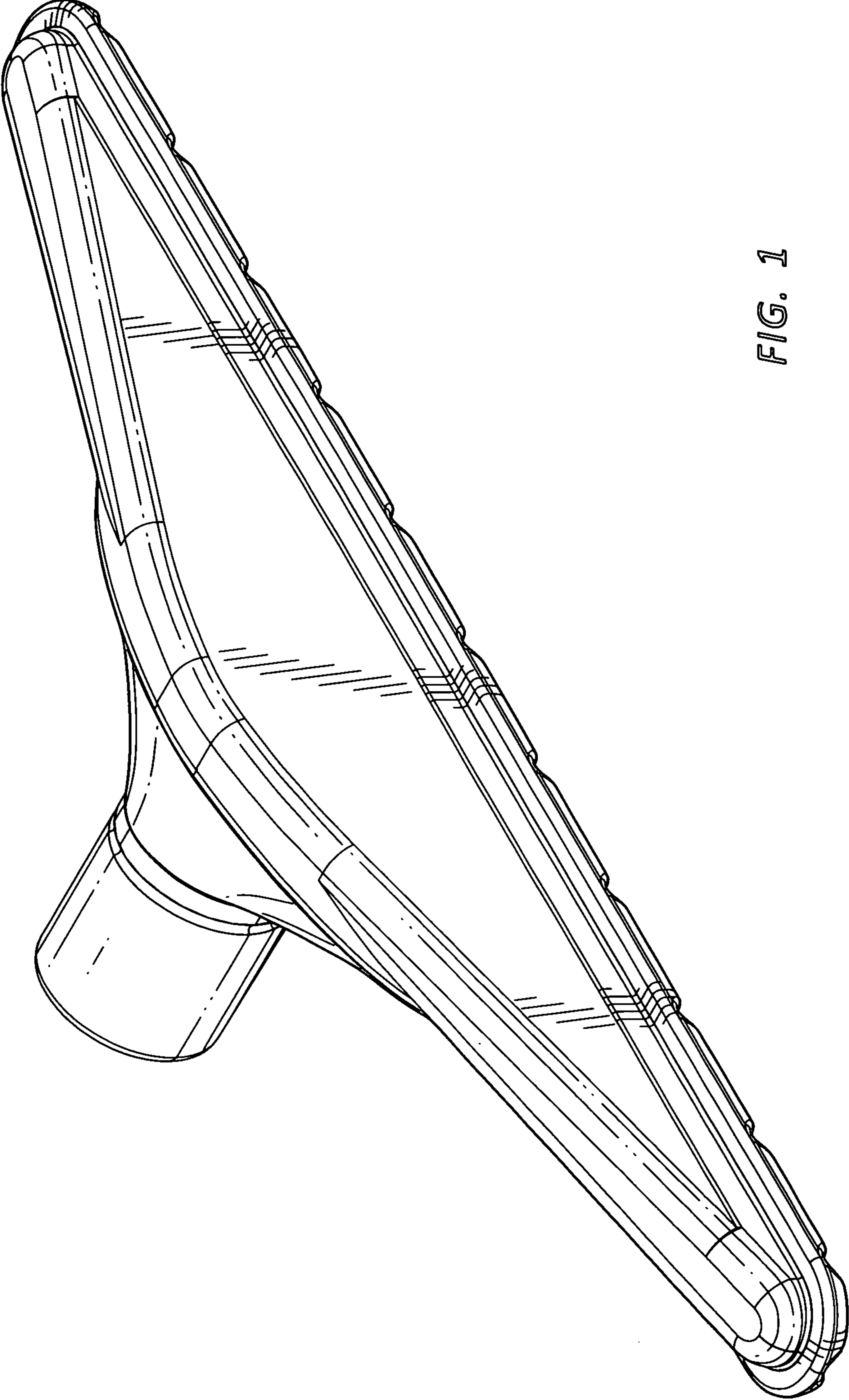


FIG. 1

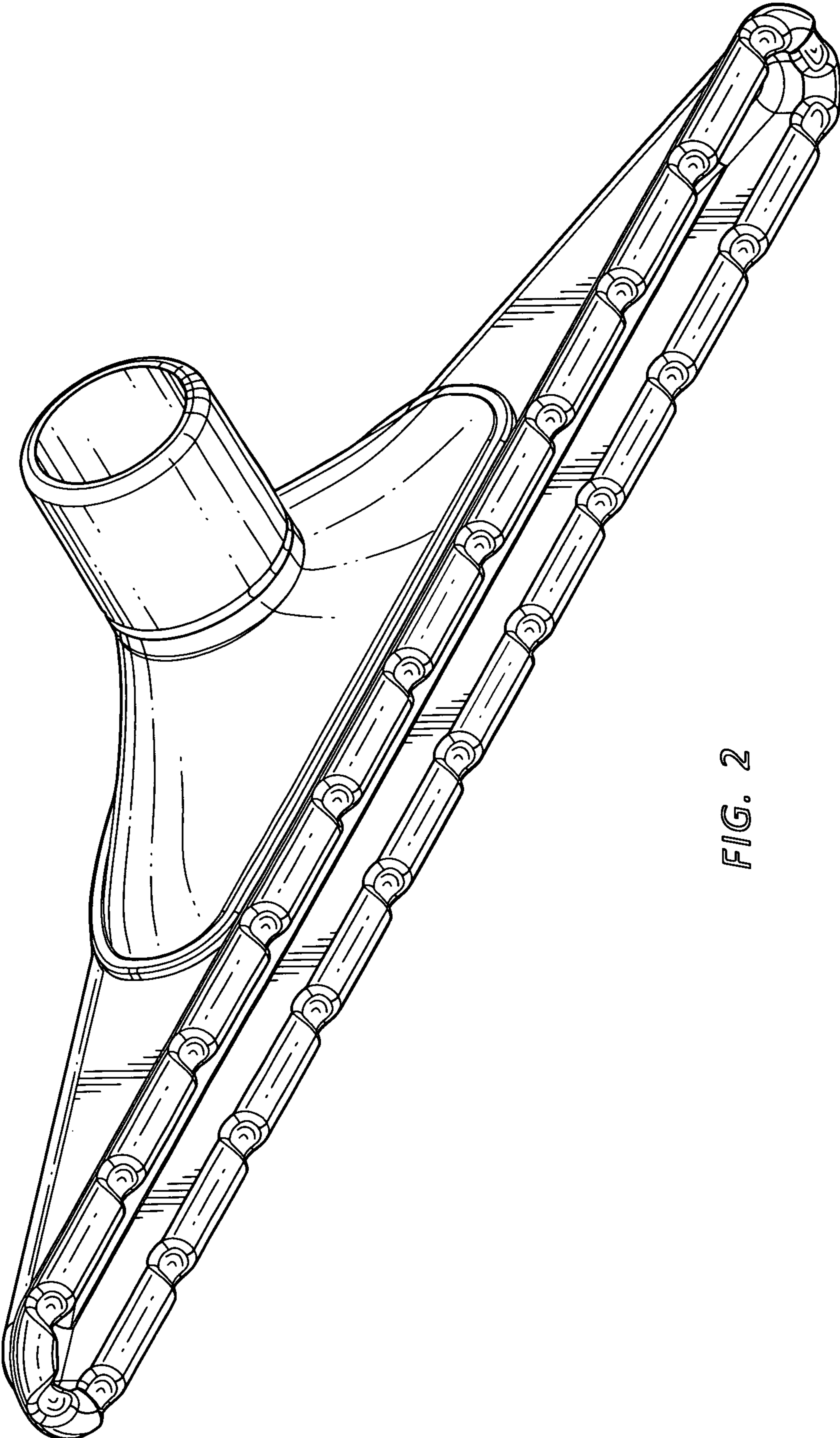


FIG. 2

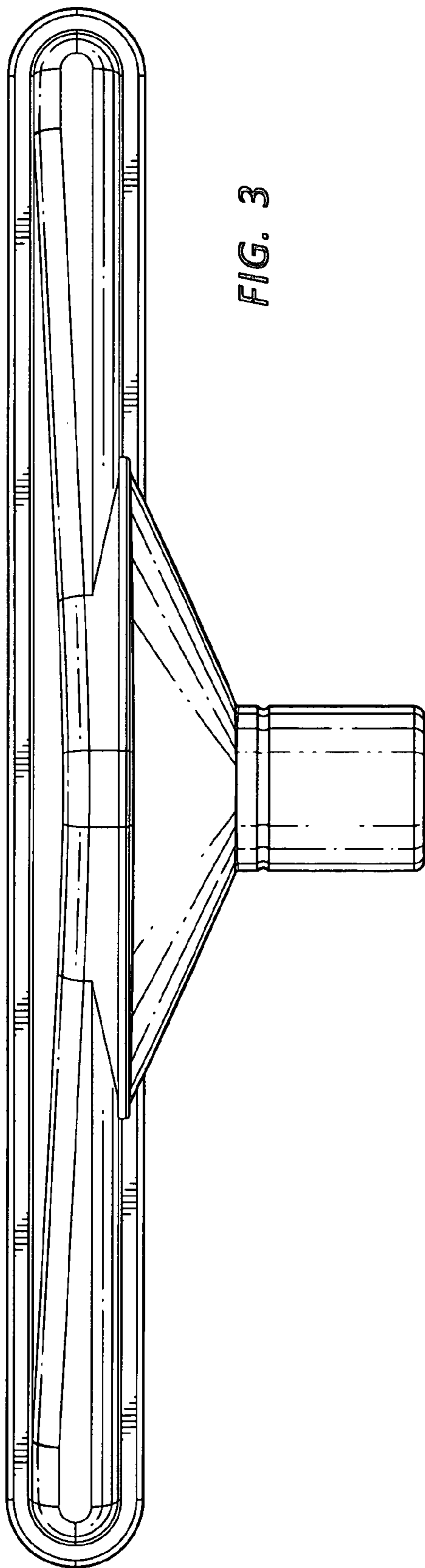


FIG. 3

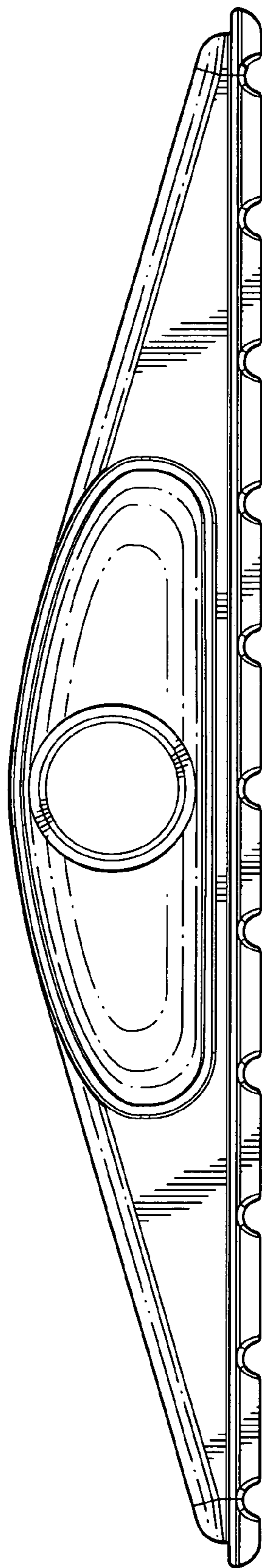


FIG. 4

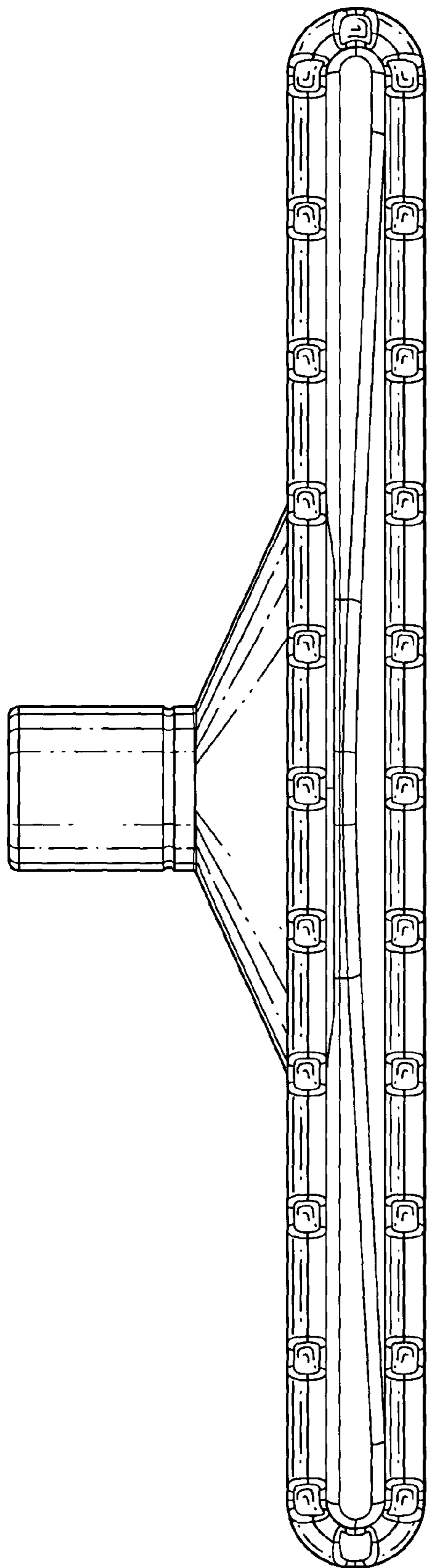


FIG. 5

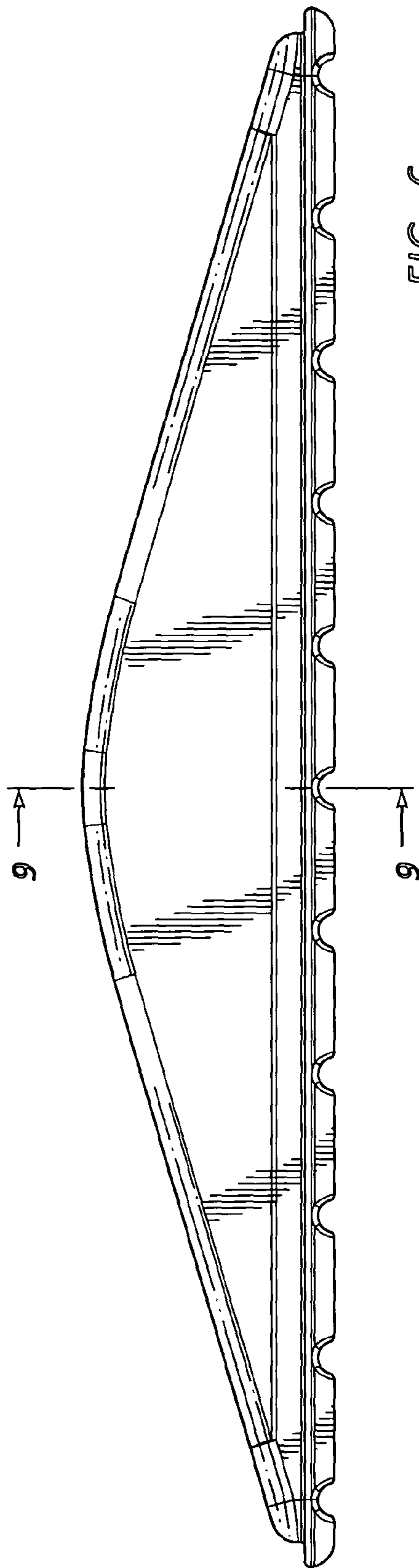


FIG. 6

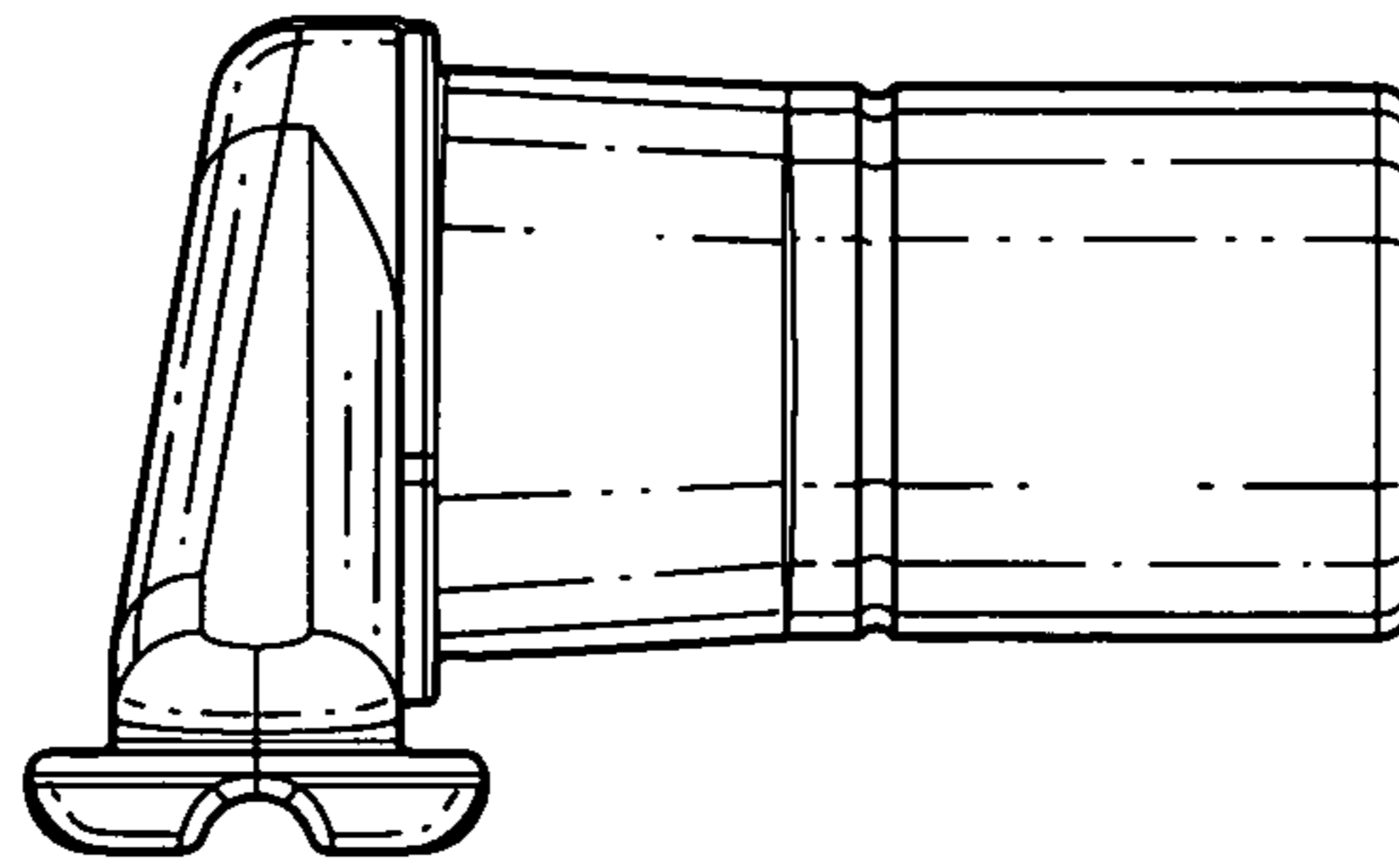


FIG. 7

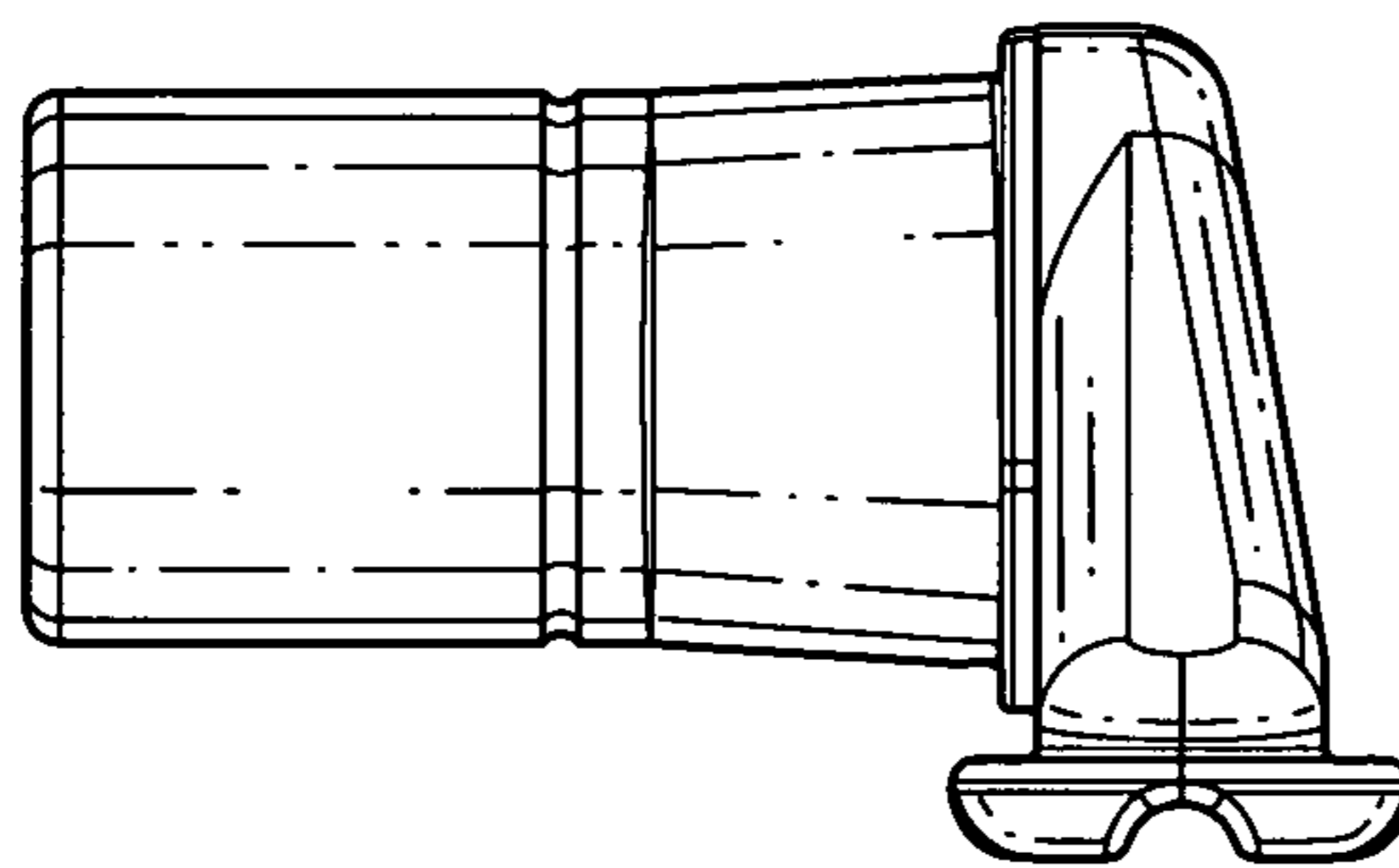


FIG. 8

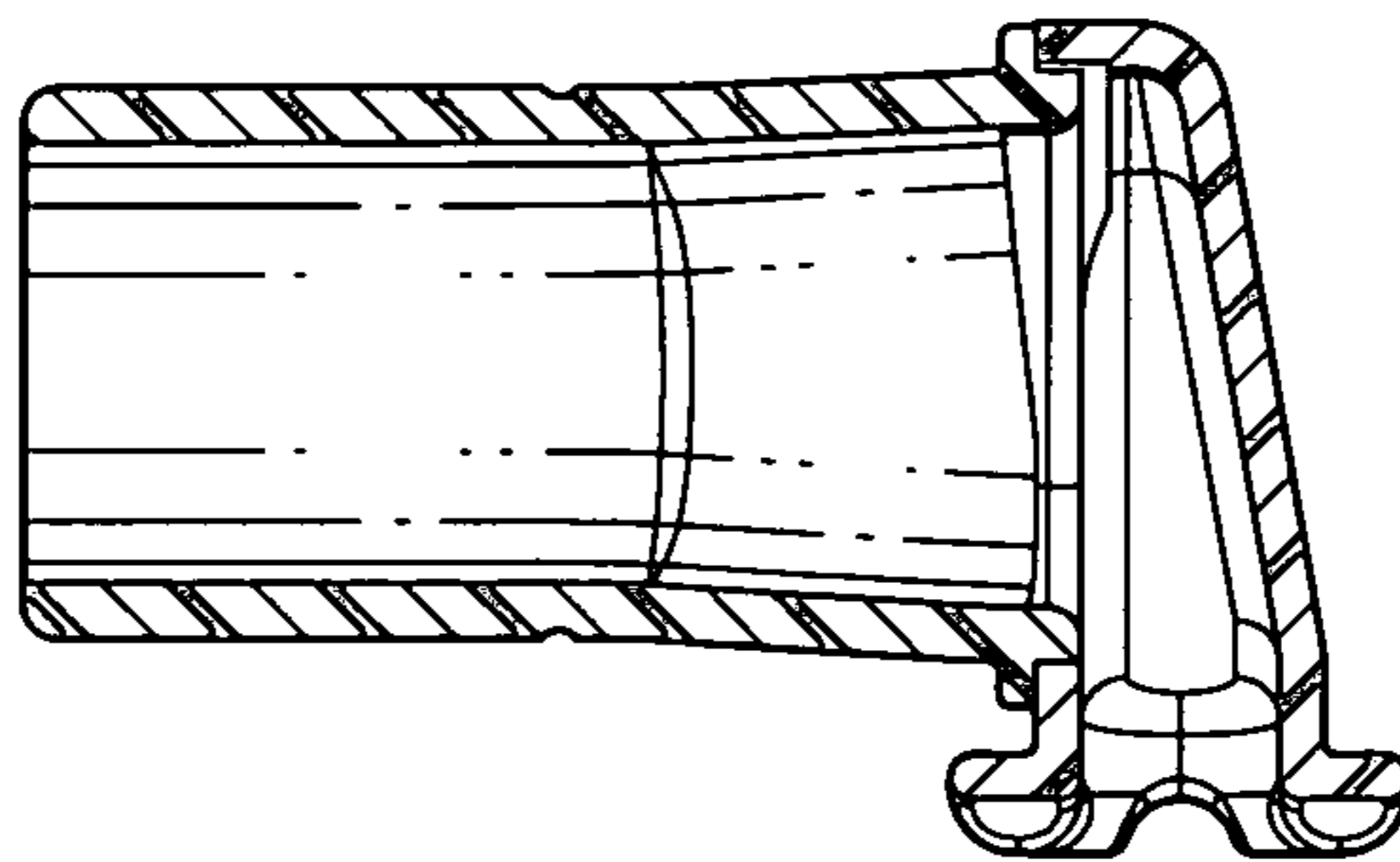


FIG. 9