



US00D681895S

(12) **United States Design Patent**
Heffernan

(10) **Patent No.:** **US D681,895 S**

(45) **Date of Patent:** **** May 7, 2013**

(54) **VACUUM ATTACHMENT**

(76) Inventor: **Robert Heffernan**, Westwood, MA (US)

(**) Term: **14 Years**

(21) Appl. No.: **29/360,622**

(22) Filed: **Apr. 28, 2010**

(51) **LOC (9) Cl.** **15-05**

(52) **U.S. Cl.**
USPC **D32/32**

(58) **Field of Classification Search** D32/50,
D32/17-18, 31-34, 22, 51, 38-40, 45, 25,
D32/49; 15/182, 179, 168, 228, 319, 403,
15/209.1, 52, 1, 246.3, 320-322, 415.1-422.1,
15/414, 412, 354, 362, 366, 374, 400, 327.1,
15/329, 41.1, 42, 48, 171, 176.1, 159.1, 339,
15/208, 372, 385, 115, 106; 401/138-139;
68/222; 134/198, 105

See application file for complete search history.

(56) **References Cited**

U.S. PATENT DOCUMENTS

D91,099 S *	11/1933	Becker	D32/32
D95,153 S *	4/1935	Scott	D32/32
D109,824 S *	5/1938	Vernon	D32/32
D122,411 S *	9/1940	Marks et al.	D32/33
D206,055 S *	10/1966	Bearse et al.	D32/32
D215,875 S *	11/1969	Hoadley	D32/32
D233,806 S *	12/1974	Hukuba	D4/135
D345,234 S *	3/1994	Iorli	D32/31

D384,453 S *	9/1997	Bartz	D32/31
D391,704 S *	3/1998	Facer	D32/32
D509,332 S *	9/2005	White	D32/32
D565,263 S *	3/2008	Wishney	D32/32
D590,553 S *	4/2009	Crevling et al.	D32/31
D596,362 S *	7/2009	Crevling et al.	D32/33
D599,516 S *	9/2009	Baek	D32/34
D600,870 S *	9/2009	Baek	D32/34
D621,112 S *	8/2010	Benacquisto	D32/33
D644,384 S *	8/2011	Santiago et al.	D32/34

* cited by examiner

Primary Examiner — Rosemary K Tarcza

(74) *Attorney, Agent, or Firm* — Gulf Coast Intellectual Property Group

(57) **CLAIM**

The ornamental design for a vacuum attachment, as shown and described.

DESCRIPTION

FIG. 1 is a lower left perspective view thereof, the broken line disclosure representing a house having gutters mounted thereto being for illustrative purposes only forming no part of the claimed design;

FIG. 2 is a left side elevation view thereof;

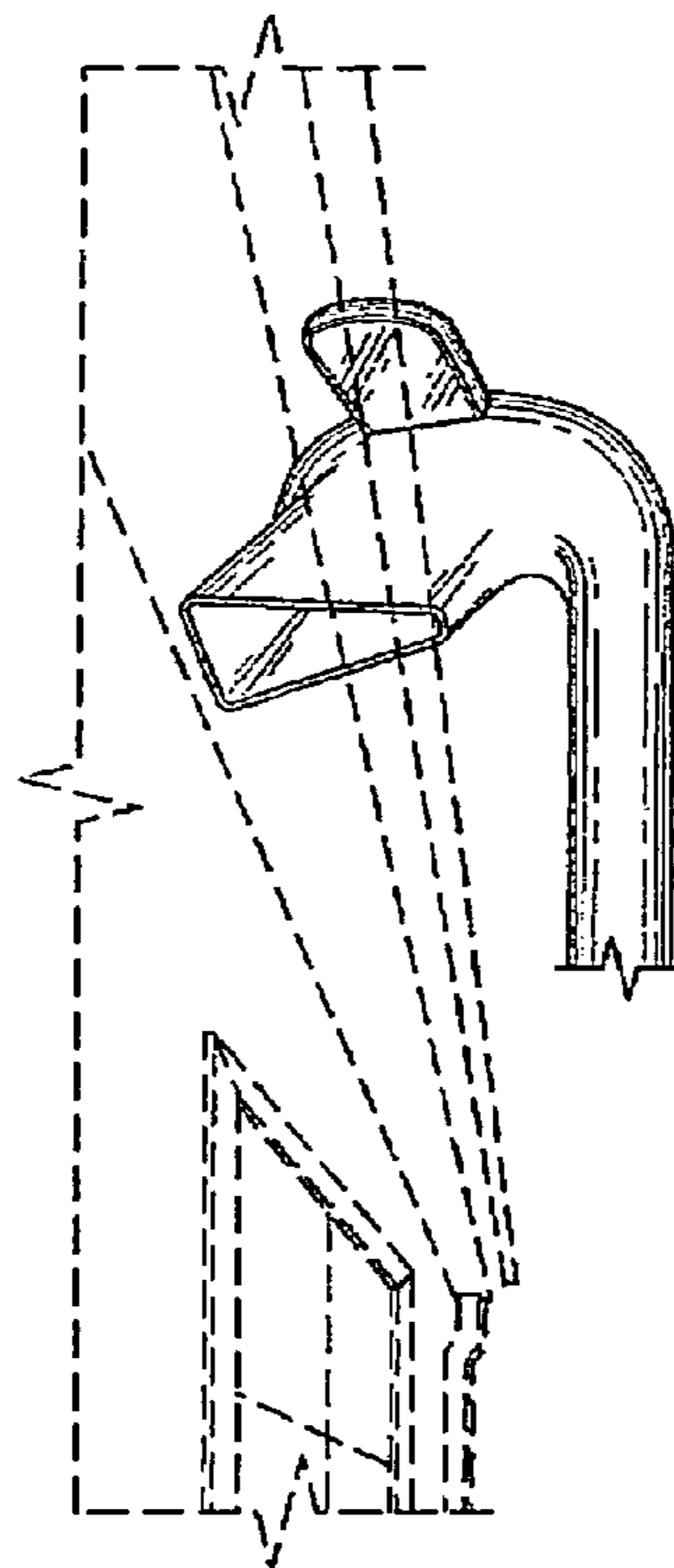
FIG. 3 is right side elevation view thereof;

FIG. 4 is a top plan view thereof; and,

FIG. 5 is a bottom plan view thereof.

The broken lines included showing use and environment only forming no part of the claimed design.

1 Claim, 2 Drawing Sheets



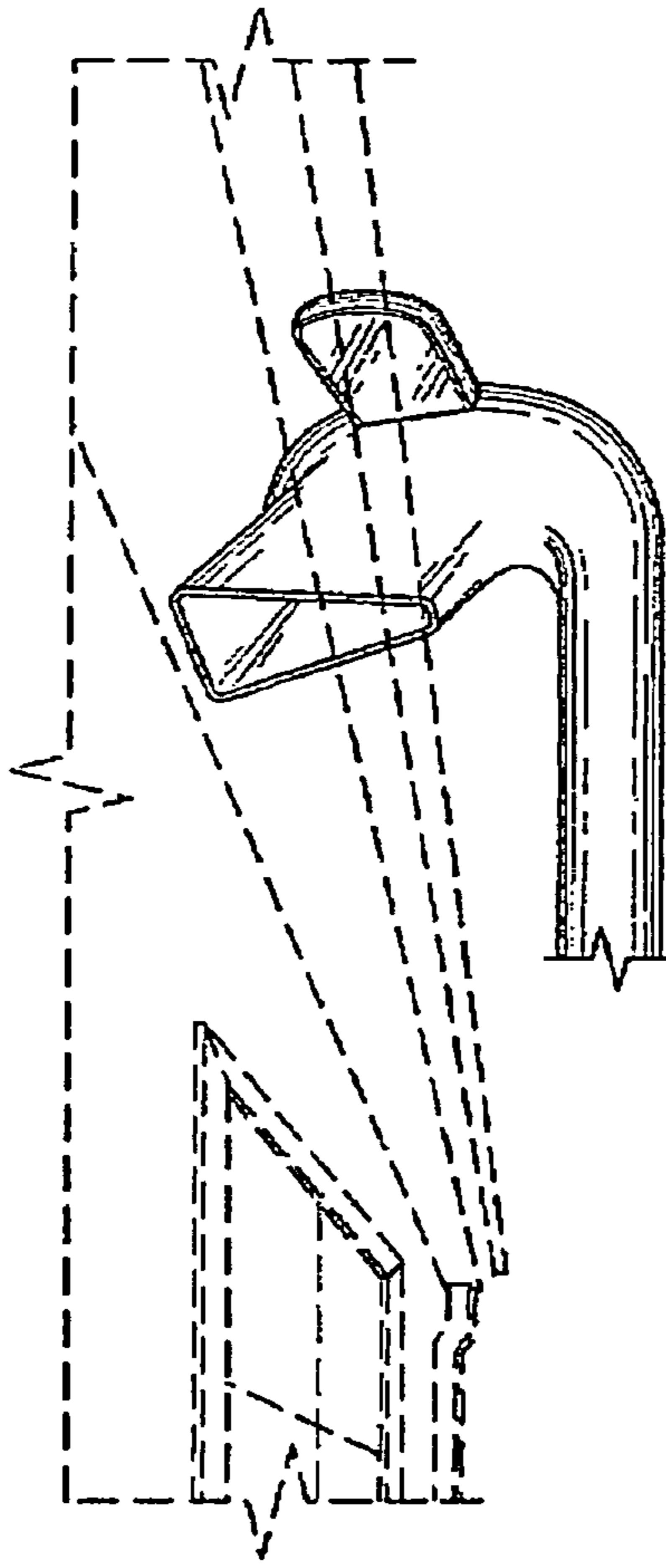


FIG. 1

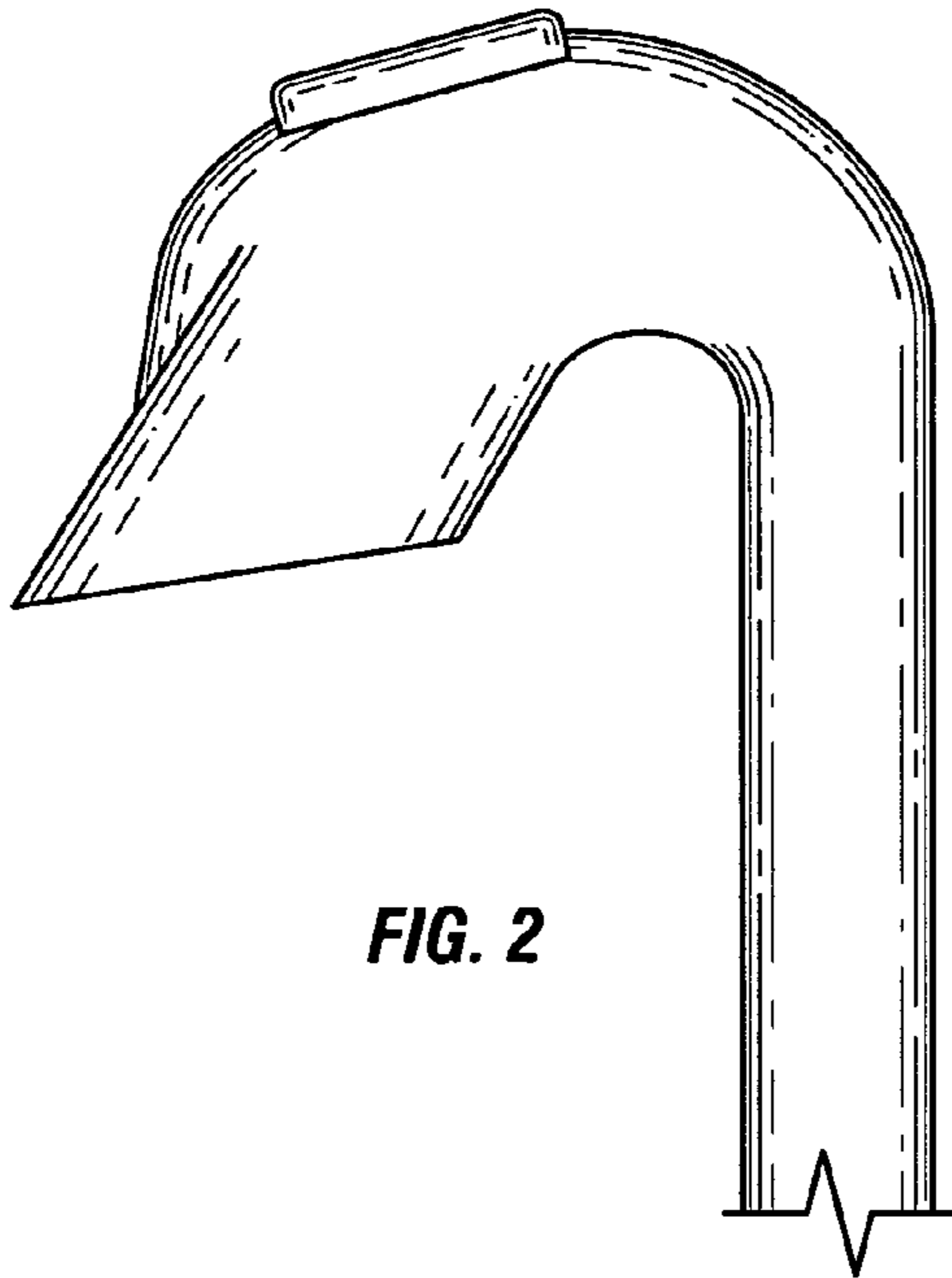


FIG. 2

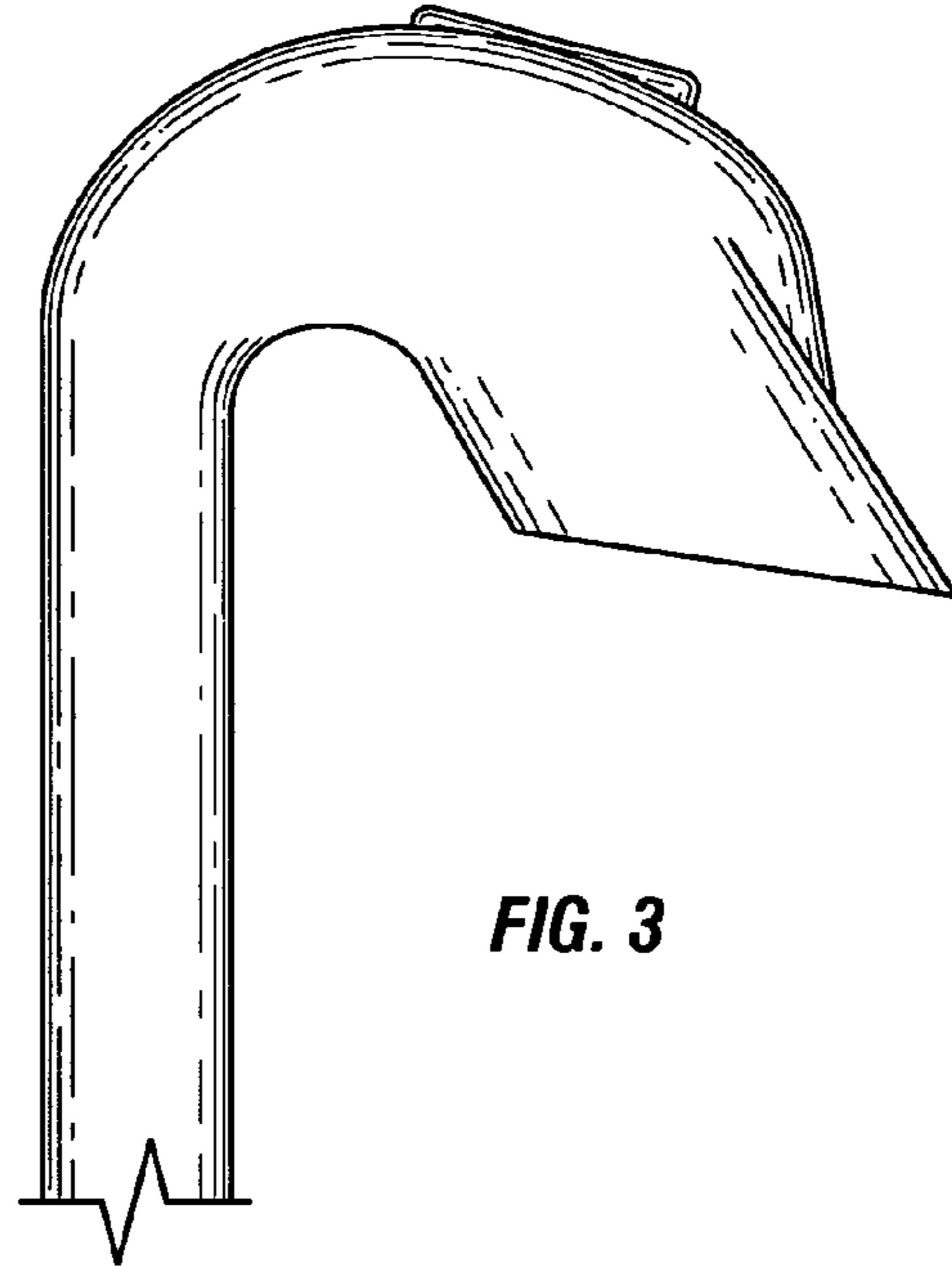


FIG. 3

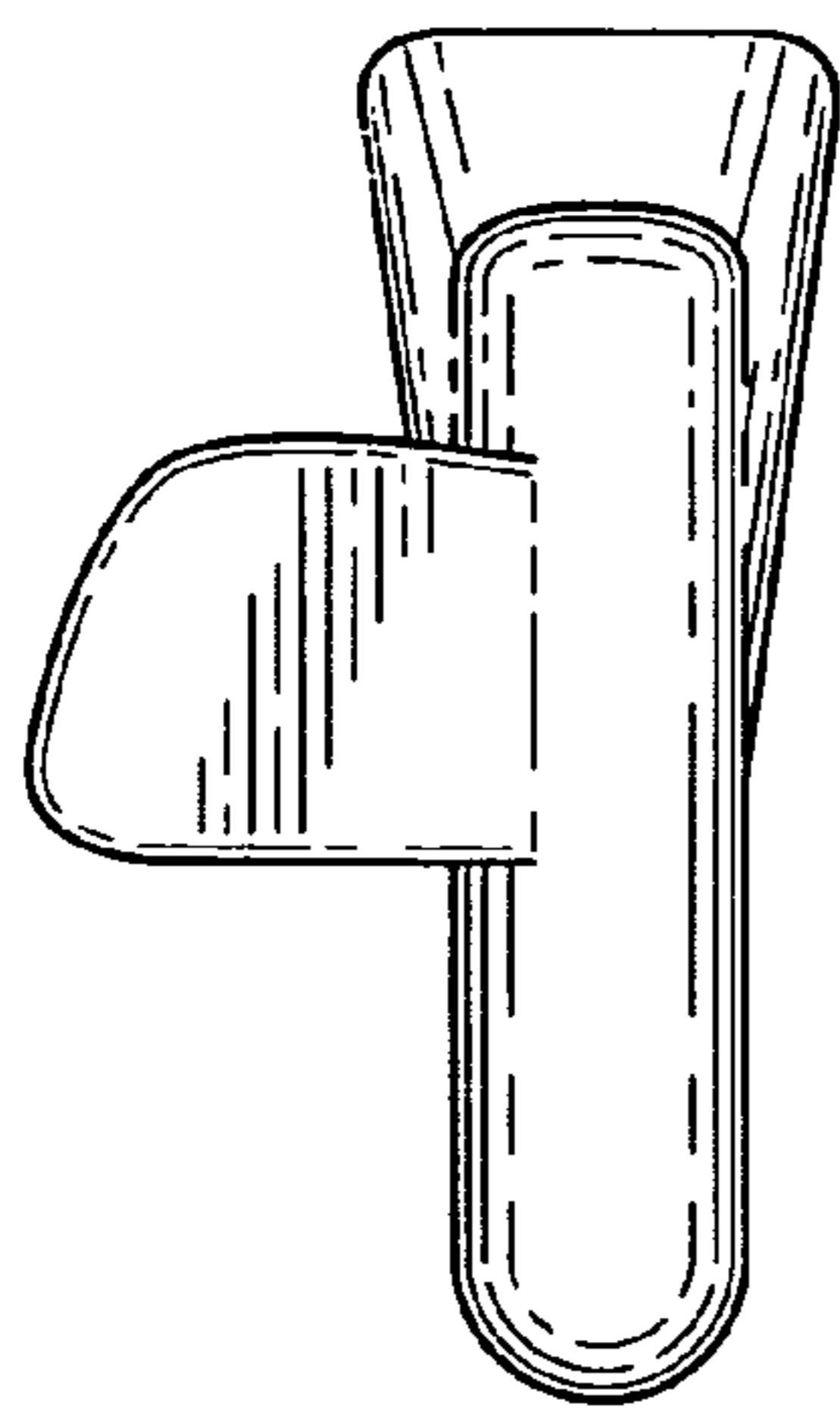


FIG. 4

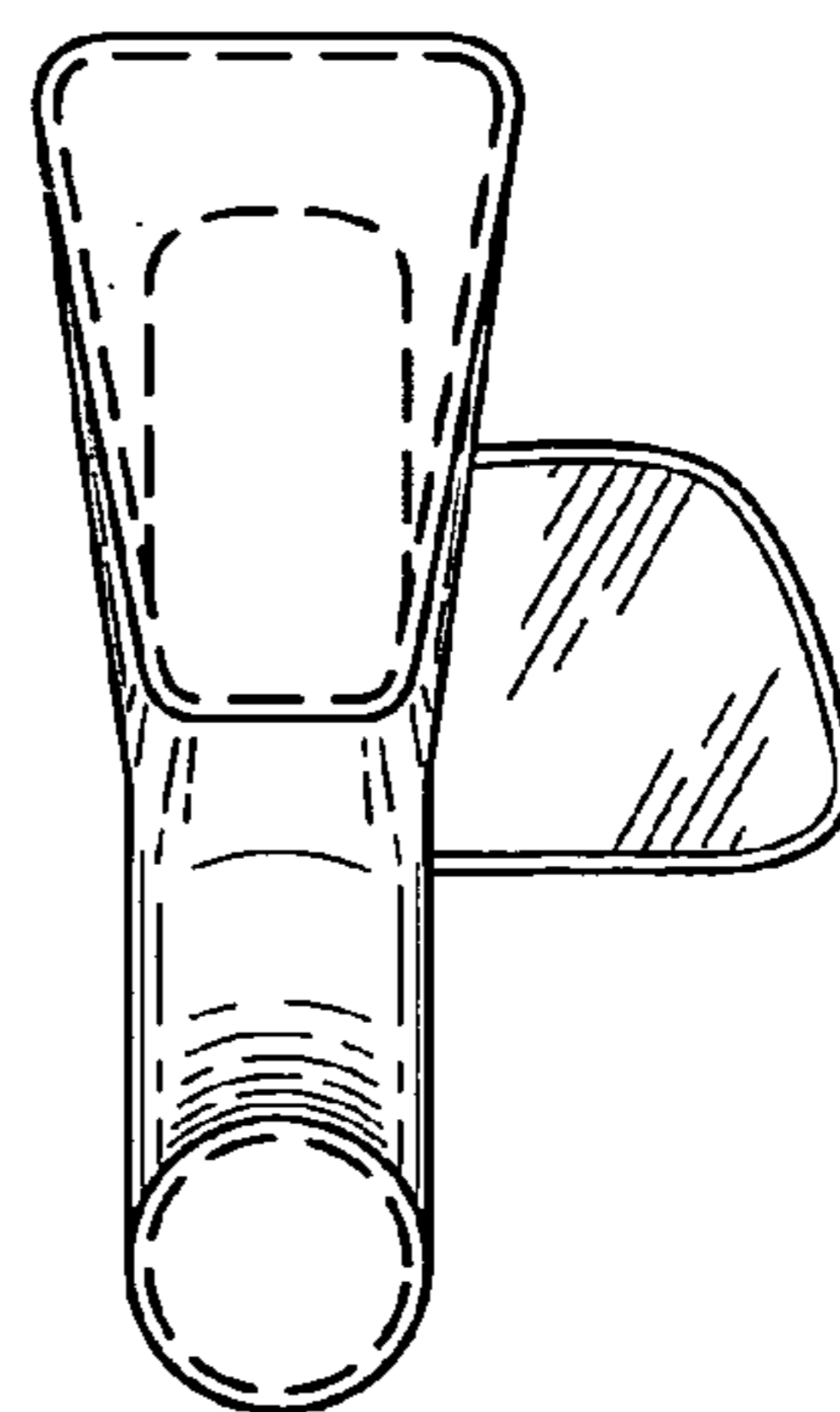


FIG. 5