



US00D681894S

(12) **United States Design Patent**
Wu et al.

(10) **Patent No.:** **US D681,894 S**
(45) **Date of Patent:** **** May 7, 2013**

(54) **VACUUM ADAPTER FOR LINT REMOVAL**

(75) Inventors: **Chan Yin Wu**, Zhejiang (CN); **Jun Yang**, Zhejiang (CN)

(73) Assignee: **Telebrands Corp.**, Fairfield, NJ (US)

(**) Term: **14 Years**

(21) Appl. No.: **29/410,872**

(22) Filed: **Jan. 12, 2012**

(51) **LOC (9) Cl.** **15-05**

(52) **U.S. Cl.**
USPC **D32/31**

(58) **Field of Classification Search** D32/21,
D32/22, 31-34, 17, 42, 45, 50; 15/1.7, 415.1,
15/416-422.1, 414, 322, 353, 400, 327.1,
15/319, 366, 383, 179, 182, 41.1, 320, 403
See application file for complete search history.

(56) **References Cited**

U.S. PATENT DOCUMENTS

D158,774	S	*	5/1950	Lippincott	D32/32
2,941,822	A		6/1960	Moecker		
2,978,733	A		4/1961	Wahlborg		
2,980,449	A		4/1961	Dunton		
3,048,876	A		8/1962	Kamintz		
D200,093	S	*	1/1965	Frost	D32/32
4,053,962	A		10/1977	McDowell		
4,116,474	A		9/1978	Wolf		
4,173,362	A		11/1979	Glover et al.		
4,459,720	A		7/1984	Ahlf et al.		
4,694,529	A		9/1987	Choiniere		
D301,177	S		5/1989	Von Bischoffshausen		
D303,026	S	*	8/1989	Kilakis	D32/32
4,961,245	A		10/1990	Barnes, Jr. et al.		
4,997,209	A		3/1991	McGrath et al.		
5,050,266	A		9/1991	Schneider		
D368,996	S	*	4/1996	Boyer	D32/32
5,535,478	A	*	7/1996	Thompson	15/401

D375,822	S	*	11/1996	Lessig et al.	D32/32
5,652,997	A		8/1997	Na		
5,704,090	A		1/1998	Berfield		
D405,570	S	*	2/1999	Broecking	D32/32
D453,866	S		2/2002	Nighy et al.		
6,378,166	B1		4/2002	Bruno et al.		
D470,983	S		2/2003	Svaldi		
D477,445	S		7/2003	Schroter		
D480,848	S		10/2003	Smith et al.		
D491,326	S	*	6/2004	Schroter	D32/31
6,785,934	B2		9/2004	Bruno et al.		

(Continued)

OTHER PUBLICATIONS

Lint Lizard Dryer Vac Attachment, retrieved from internet: "http://www.amazon.com/Lint-Lizard-Dryer-Vac-Attachment/dp/B007BVC31S/ref=sr_1_7?ie=UTF8&qid=1358429786&sr=8-7&keywords=lint+lizard", retrieved on Jan. 23, 2013.*

(Continued)

Primary Examiner — Ruth McInroy

(74) *Attorney, Agent, or Firm* — Cooper & Dunham LLP

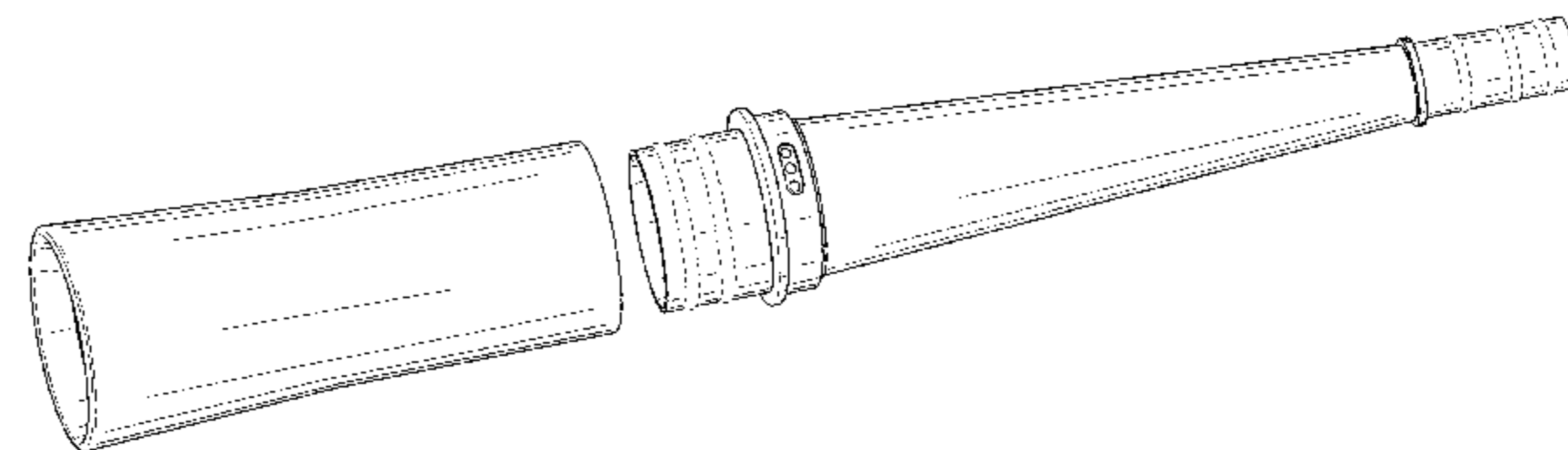
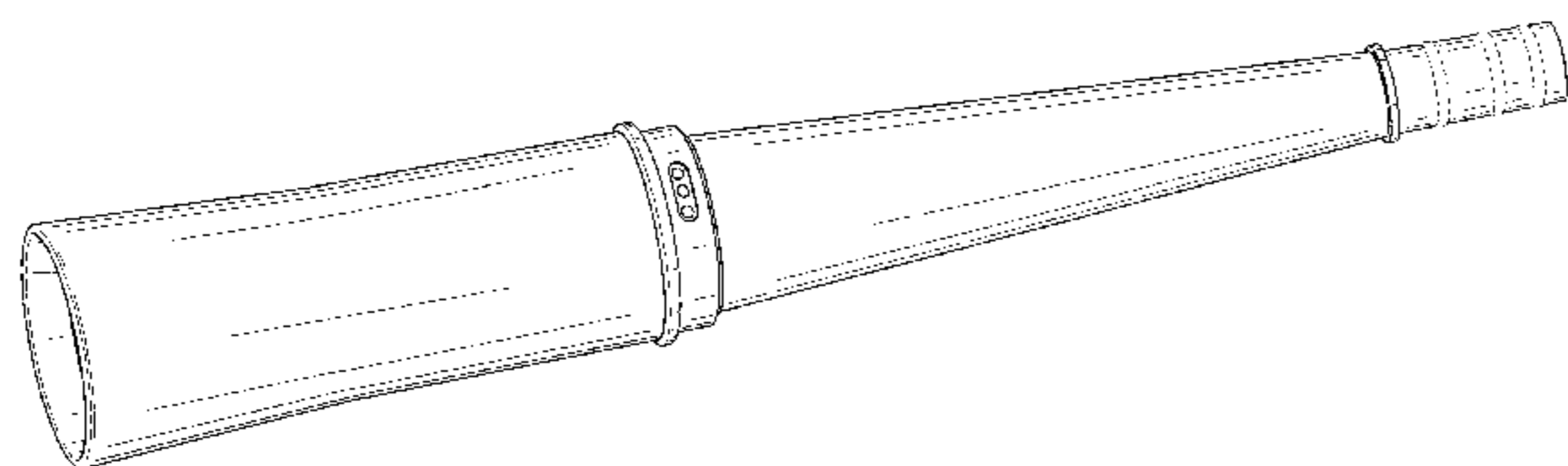
(57) **CLAIM**

The ornamental design for a vacuum adapter for lint removal, as shown and described.

DESCRIPTION

FIG. 1 is a perspective view thereof;
FIG. 2 is an exploded perspective view thereof;
FIG. 3 is a front view thereof;
FIG. 4 is a rear view thereof;
FIG. 5 is a side view thereof;
FIG. 6 is the other side view thereof;
FIG. 7 is the bottom view thereof; and,
FIG. 8 is the top view thereof.
The details shown in broken lines form no part of the claimed design.

1 Claim, 7 Drawing Sheets



US D681,894 S

Page 2

U.S. PATENT DOCUMENTS

D502,578 S * 3/2005 Roschi D32/31
D509,332 S * 9/2005 White D32/32
D513,101 S * 12/2005 Allard et al. D32/32
D526,102 S * 8/2006 Adams D32/32
D545,512 S 6/2007 Genoa et al.
D597,715 S 8/2009 Barker
7,611,490 B2 11/2009 Foley
D610,760 S 2/2010 Zugen et al.
D622,016 S * 8/2010 Hofmann-Kay et al. D32/32
7,779,860 B2 8/2010 Pears
D642,754 S * 8/2011 Fjellman D32/31
D647,266 S * 10/2011 Kim et al. D32/31
D652,188 S * 1/2012 Escobar D32/32
D658,832 S * 5/2012 Eden et al. D32/32
D666,373 S * 8/2012 Eden et al. D32/32
D668,410 S * 10/2012 Khubani D32/31
8,296,901 B2 * 10/2012 Rosenzweig et al. 15/414
2002/0178696 A1 12/2002 Korff
2009/0302601 A1 12/2009 Sarkisyan et al.
2010/0306960 A1 12/2010 Jonsson et al.

OTHER PUBLICATIONS

Dryer Vent Vacuum Cleaner Attachment, retrieved from internet:
“<http://www.amazon.com/Dryer-Vent-Vacuum-Cleaner-attachment1dp.B0002811M4>”, retrieved on Jun. 29, 2012.
Vacuum Cleaner Attachment Kit, retrieved from internet: “<http://www.made-in-china.com/showroom/it9830/productdetailzeTENWqXEbaw/China-Vacuum-Cleaner-Attachment-Kit.html>”, retrieved on Jun. 29, 2012.
Lint Lizard Vac Attachment, Dryer Lint 1 attachment, retrieved from internet: “<http://www.amazon.com/Lint-Lizard-Attachment-Dryer-attachment1dp/B006ZV3LJO>”, retrieved on Jun. 29, 2012.
Lint Lizard Vacuum Attachment, retrieved from internet: “<http://www.asontvinfo.com/lint-lizard.html>”, retrieved on Jun. 29, 2012.

* cited by examiner

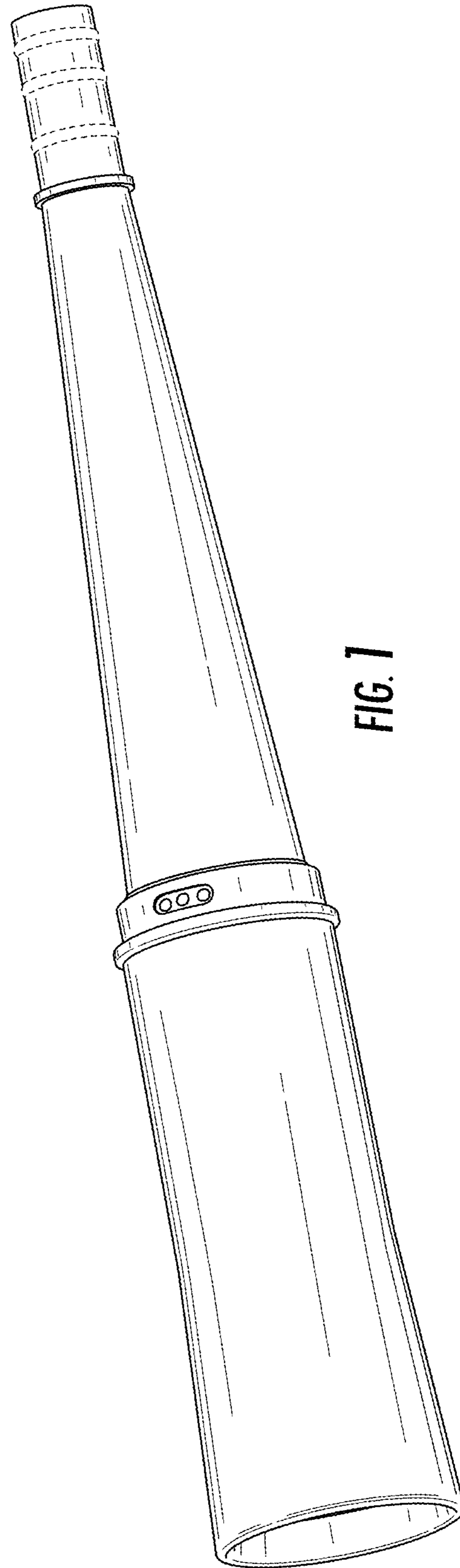
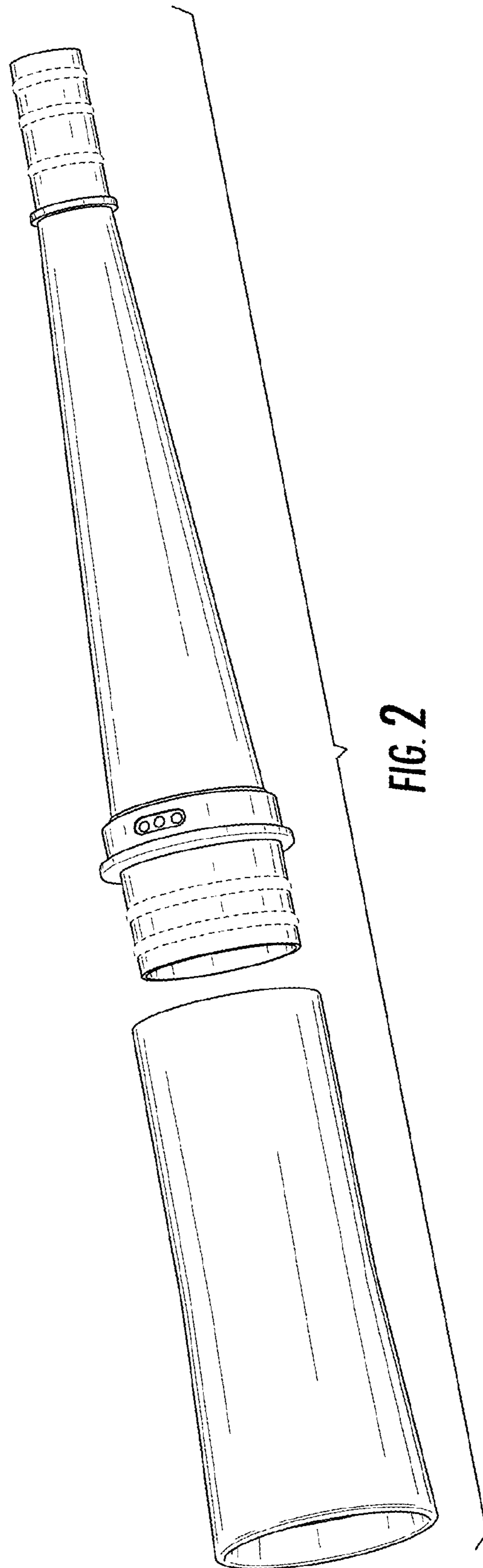


FIG. 1



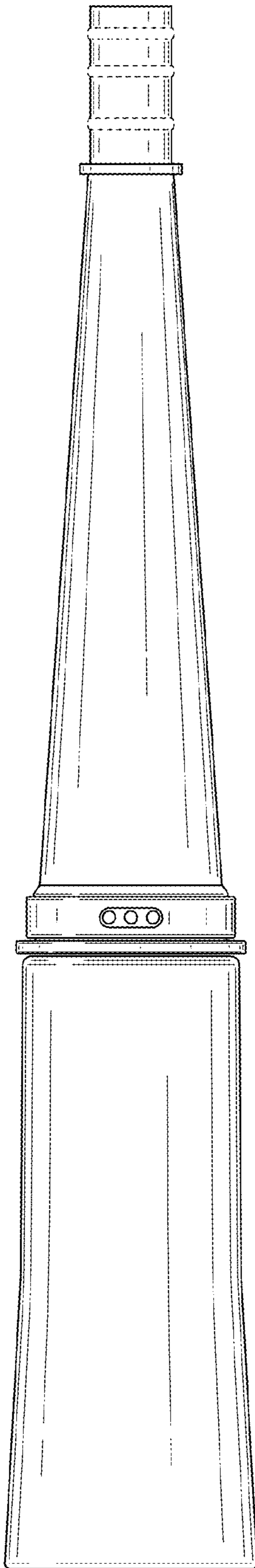


FIG. 3

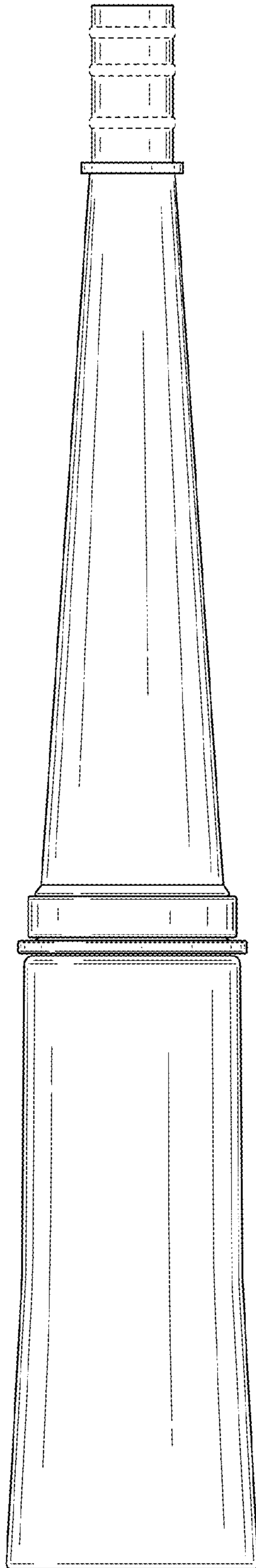


FIG. 4

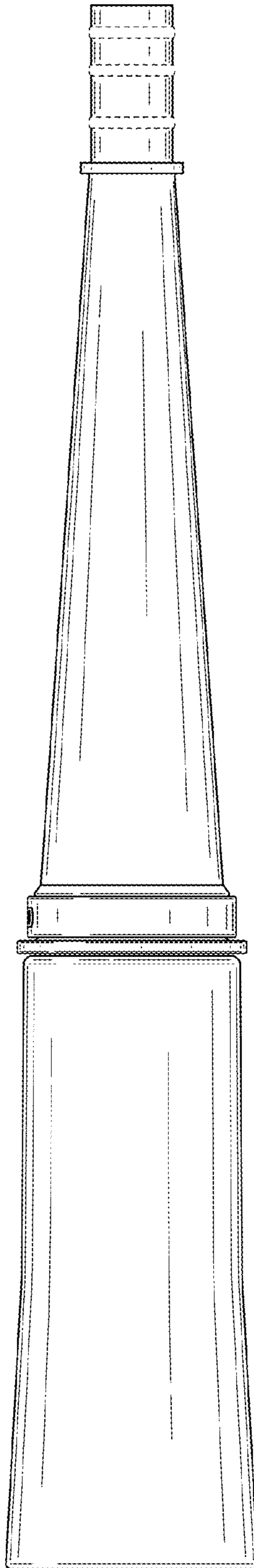


FIG. 5

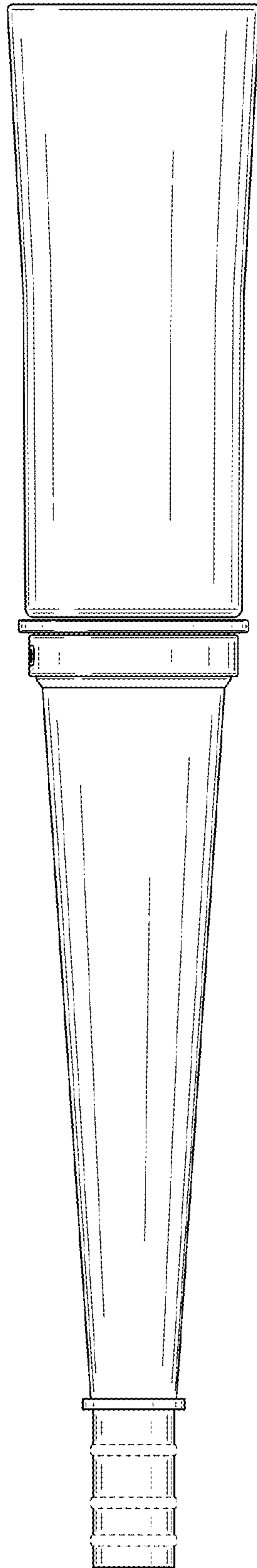


FIG. 6

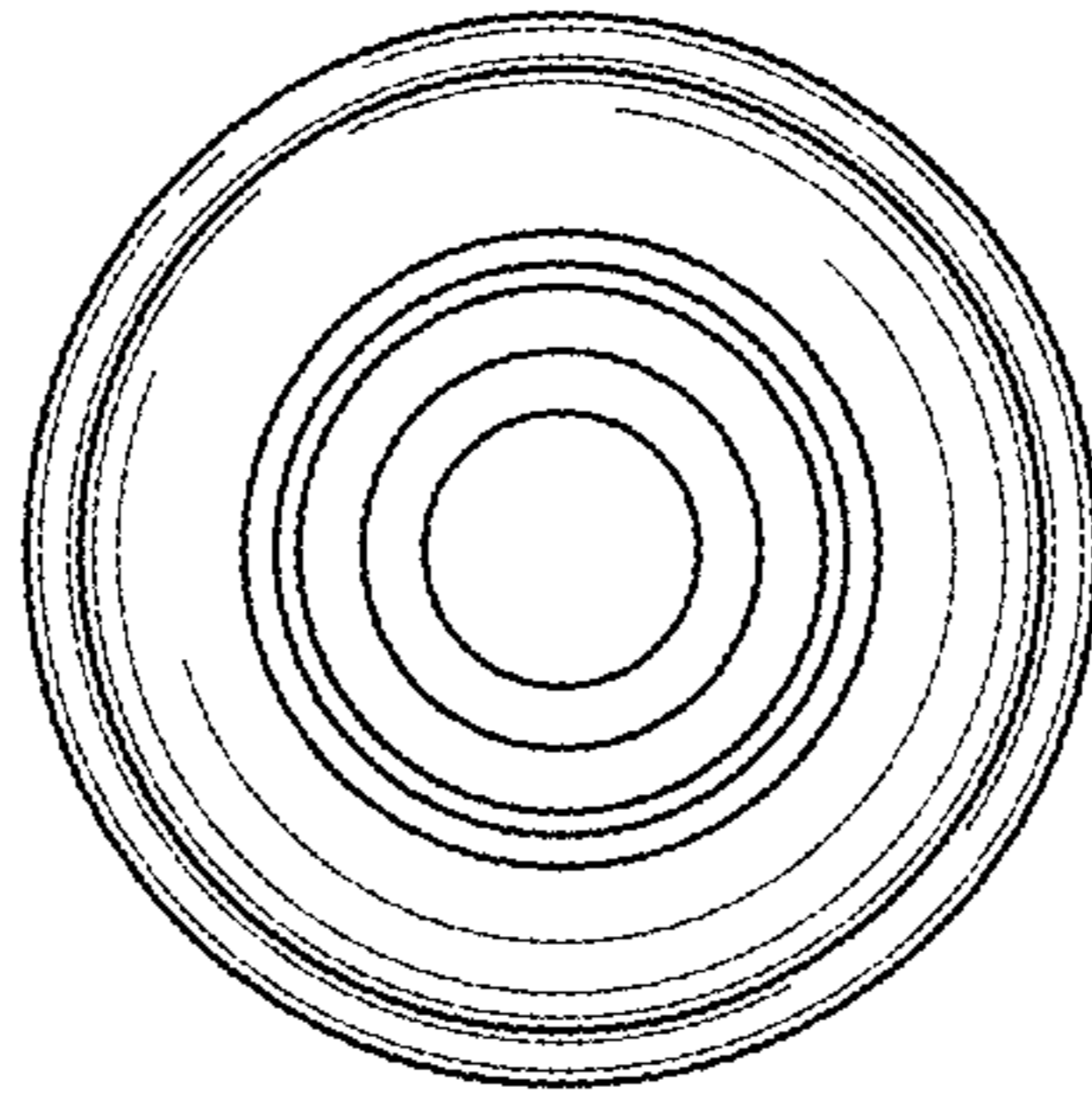


FIG. 7

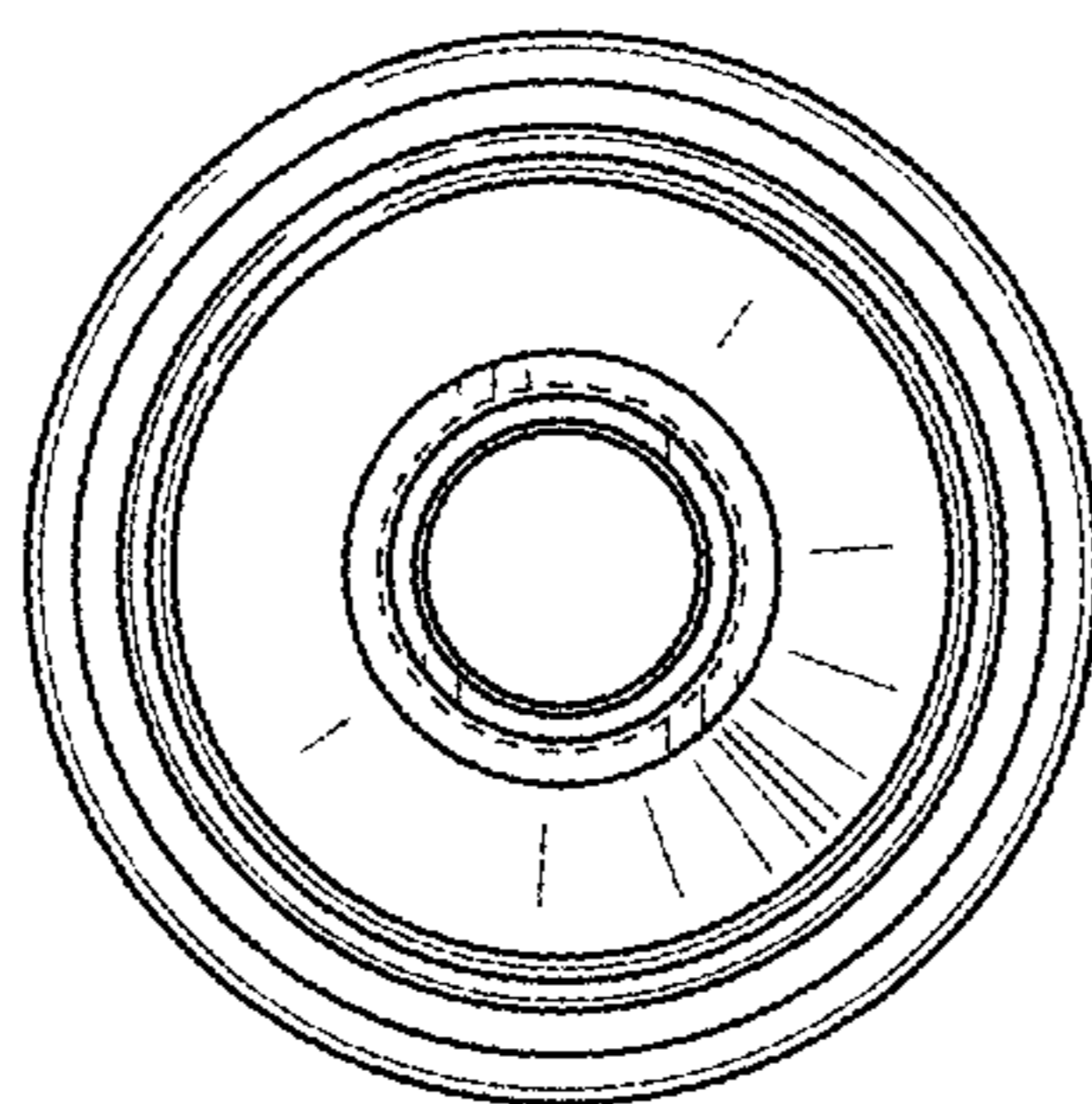


FIG. 8