



US00D681893S

(12) **United States Design Patent**
Meda et al.

(10) **Patent No.:** **US D681,893 S**
(45) **Date of Patent:** **** May 7, 2013**

(54) **TOP PANEL FOR A LAUNDRY APPLIANCE**

(75) Inventors: **Samuele Meda**, Porcia (IT); **Jan Ctvrtnik**, Porcia (IT)

(73) Assignee: **Electrolux Home Products Corporation N.V.** (BE)

(**) Term: **14 Years**

(21) Appl. No.: **29/422,648**

(22) Filed: **May 22, 2012**

(30) **Foreign Application Priority Data**

Nov. 22, 2011 (EM) 001950635

(51) **LOC (9) Cl.** **15-05**

(52) **U.S. Cl.**
USPC **D32/28**

(58) **Field of Classification Search** D32/1,
D32/5-10, 25-28; 68/3 R, 5 R, 12.01; 34/87-88,
34/523-524

See application file for complete search history.

(56) **References Cited**

U.S. PATENT DOCUMENTS

D491,324 S * 6/2004 Kim et al. D32/6
D492,456 S 6/2004 Geyer
D517,756 S 3/2006 Ha et al.
D518,256 S 3/2006 Kim et al.
D520,194 S * 5/2006 Kwon et al. D32/6

D522,193 S 5/2006 Carey et al.
D536,144 S * 1/2007 Seo et al. D32/6
D541,492 S * 4/2007 Nam D32/6
D554,306 S * 10/2007 Nam D32/6
D564,719 S 3/2008 Eicher et al.
D571,064 S 6/2008 Eicher et al.
D573,762 S 7/2008 Eicher et al.
D577,470 S 9/2008 Park et al.
D577,471 S 9/2008 Park et al.
D577,472 S * 9/2008 Crookshanks D32/28
D582,106 S 12/2008 Kim et al.
D597,712 S * 8/2009 Jeon et al. D32/6
D613,010 S 3/2010 Eicher et al.
D617,960 S * 6/2010 Bohm et al. D32/6
2005/0145468 A1 * 7/2005 Kim 200/296
2007/0209403 A1 9/2007 Byun et al.

* cited by examiner

Primary Examiner — T. Chase Nelson

Assistant Examiner — Kathleen M Sims

(74) *Attorney, Agent, or Firm* — Banner & Witcoff, Ltd.

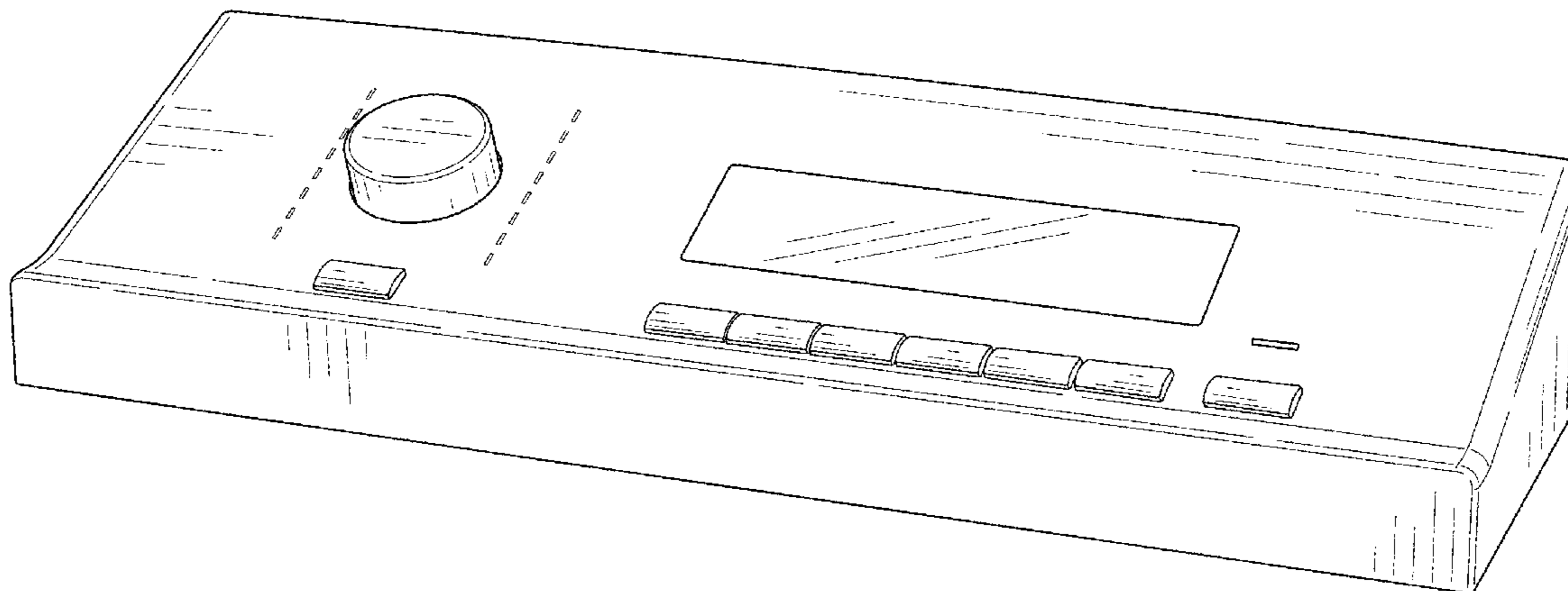
(57) **CLAIM**

The ornamental design for a top panel for a laundry appliance, as shown and described.

DESCRIPTION

FIG. 1 is a perspective view of a top panel for a laundry appliance showing my/our new design; FIG. 2 is a bottom view thereof; and, FIG. 3 is a front view thereof.

1 Claim, 3 Drawing Sheets



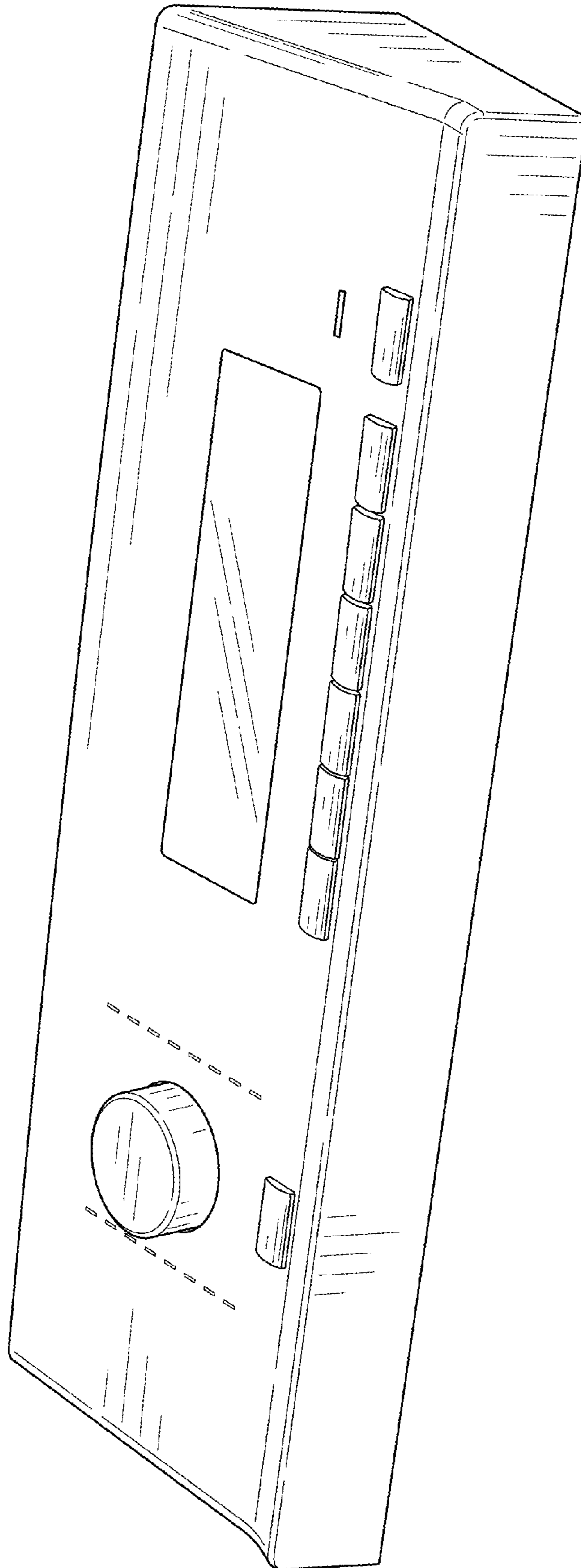


FIG. 1

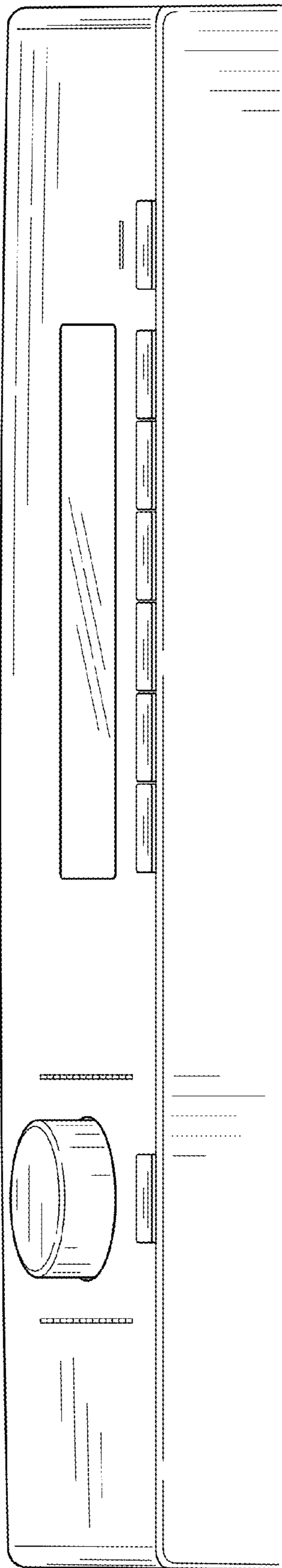


FIG. 2

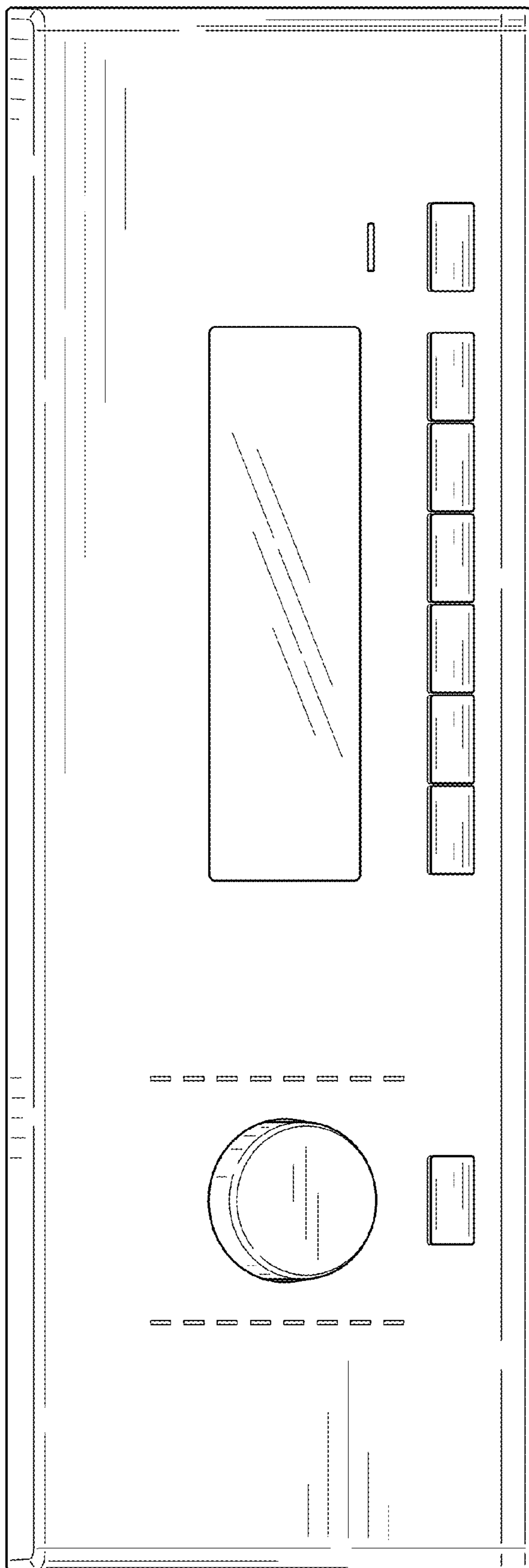


FIG. 3