



US00D681892S

(12) **United States Design Patent**  
**Meda et al.**

(10) **Patent No.:** **US D681,892 S**

(45) **Date of Patent:** **\*\* May 7, 2013**

(54) **TOP PANEL FOR A LAUNDRY APPLIANCE**

(75) Inventors: **Samuele Meda**, Porcia (IT); **Jan Civrtnik**, Porcia (IT)

(73) Assignee: **Electrolux Home Products Corporation N.V.** (BE)

(\*\*) Term: **14 Years**

(21) Appl. No.: **29/422,647**

(22) Filed: **May 22, 2012**

(30) **Foreign Application Priority Data**

Nov. 22, 2011 (EM) ..... 001950635

(51) **LOC (9) Cl.** ..... **15-05**

(52) **U.S. Cl.**  
USPC ..... **D32/28**

(58) **Field of Classification Search** ..... D32/1,  
D32/5-10, 25, 28; 68/3 R, 5 R, 12.01; 34/87-88,  
34/523-524

See application file for complete search history.

(56) **References Cited**

**U.S. PATENT DOCUMENTS**

D492,456 S 6/2004 Geyer  
D517,756 S 3/2006 Ha et al.

D518,256 S 3/2006 Kim et al.  
D522,193 S 5/2006 Carey et al.  
D553,309 S \* 10/2007 Revoldini et al. .... D32/6  
D561,957 S \* 2/2008 Browne et al. .... D32/6  
D564,719 S 3/2008 Eicher et al.  
D565,809 S \* 4/2008 Eicher et al. .... D32/6  
D571,064 S 6/2008 Eicher et al.  
D573,762 S 7/2008 Eicher et al.  
D577,470 S 9/2008 Park et al.  
D577,471 S 9/2008 Park et al.  
D582,105 S \* 12/2008 Cho et al. .... D32/6  
D582,106 S 12/2008 Kim et al.  
D613,010 S 3/2010 Eicher et al.  
D635,727 S \* 4/2011 Jeon et al. .... D32/6  
D665,543 S \* 8/2012 Kim et al. .... D32/6  
2007/0209403 A1 9/2007 Byun et al.

\* cited by examiner

*Primary Examiner* — T. Chase Nelson

*Assistant Examiner* — Kathleen M Sims

(74) *Attorney, Agent, or Firm* — Banner & Witcoff, Ltd.

(57) **CLAIM**

The ornamental design for a top panel for a laundry appliance, as shown and described.

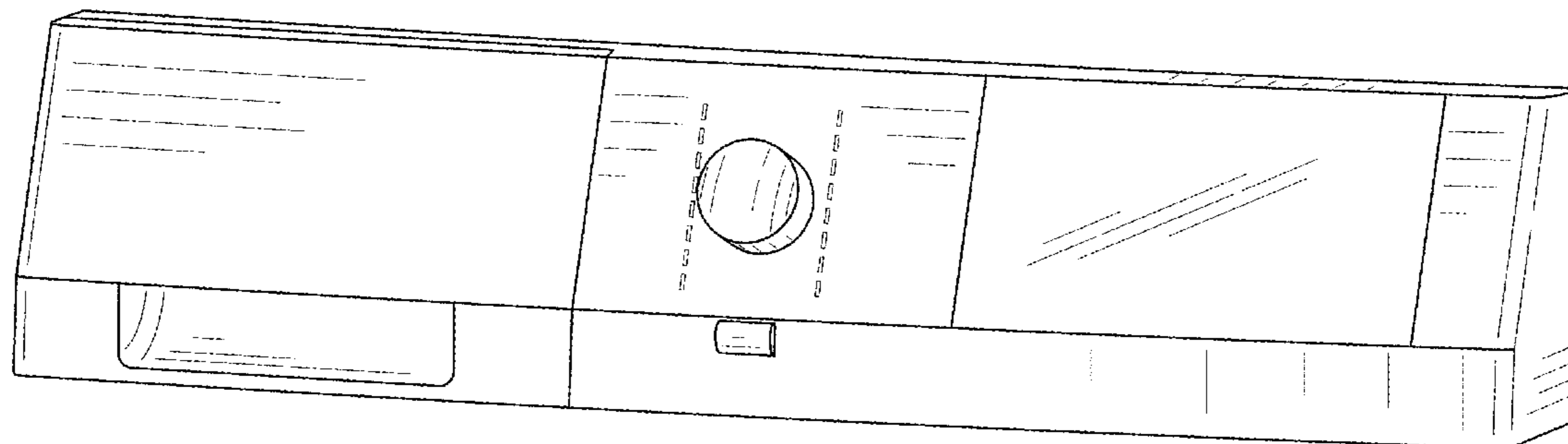
**DESCRIPTION**

FIG. 1 is a front perspective view of a top panel for a laundry appliance showing my/our new design;

FIG. 2 is a front view thereof; and,

FIG. 3 is a second perspective view thereof.

**1 Claim, 3 Drawing Sheets**



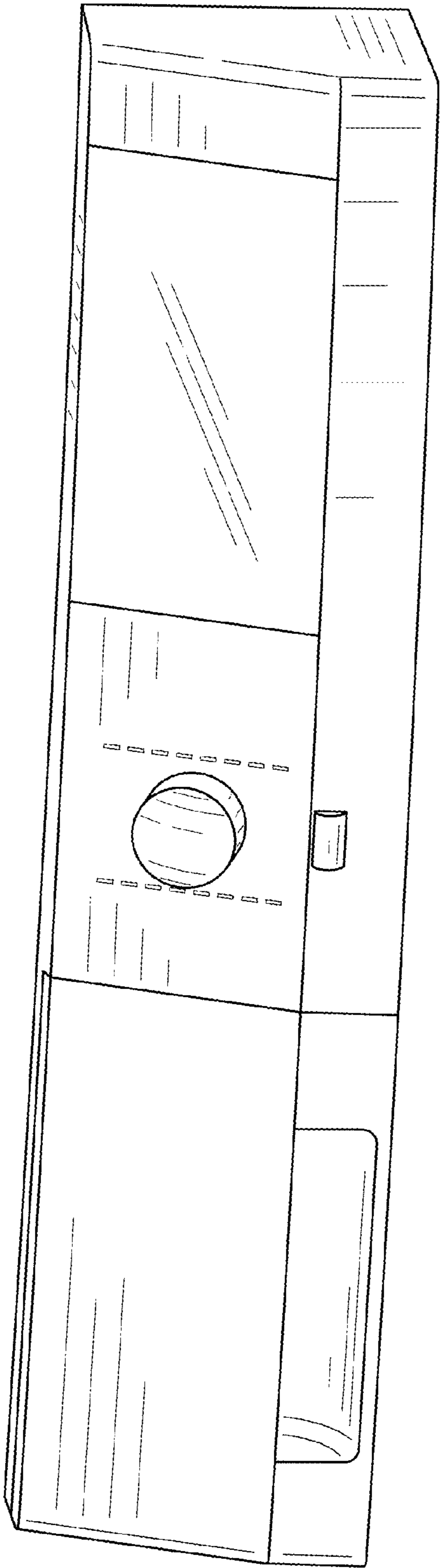


FIG. 1

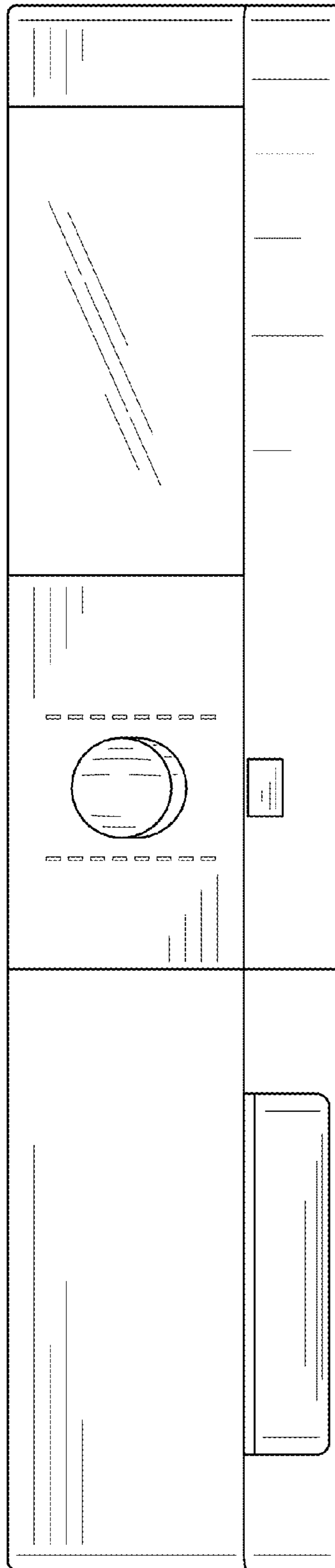


FIG. 2

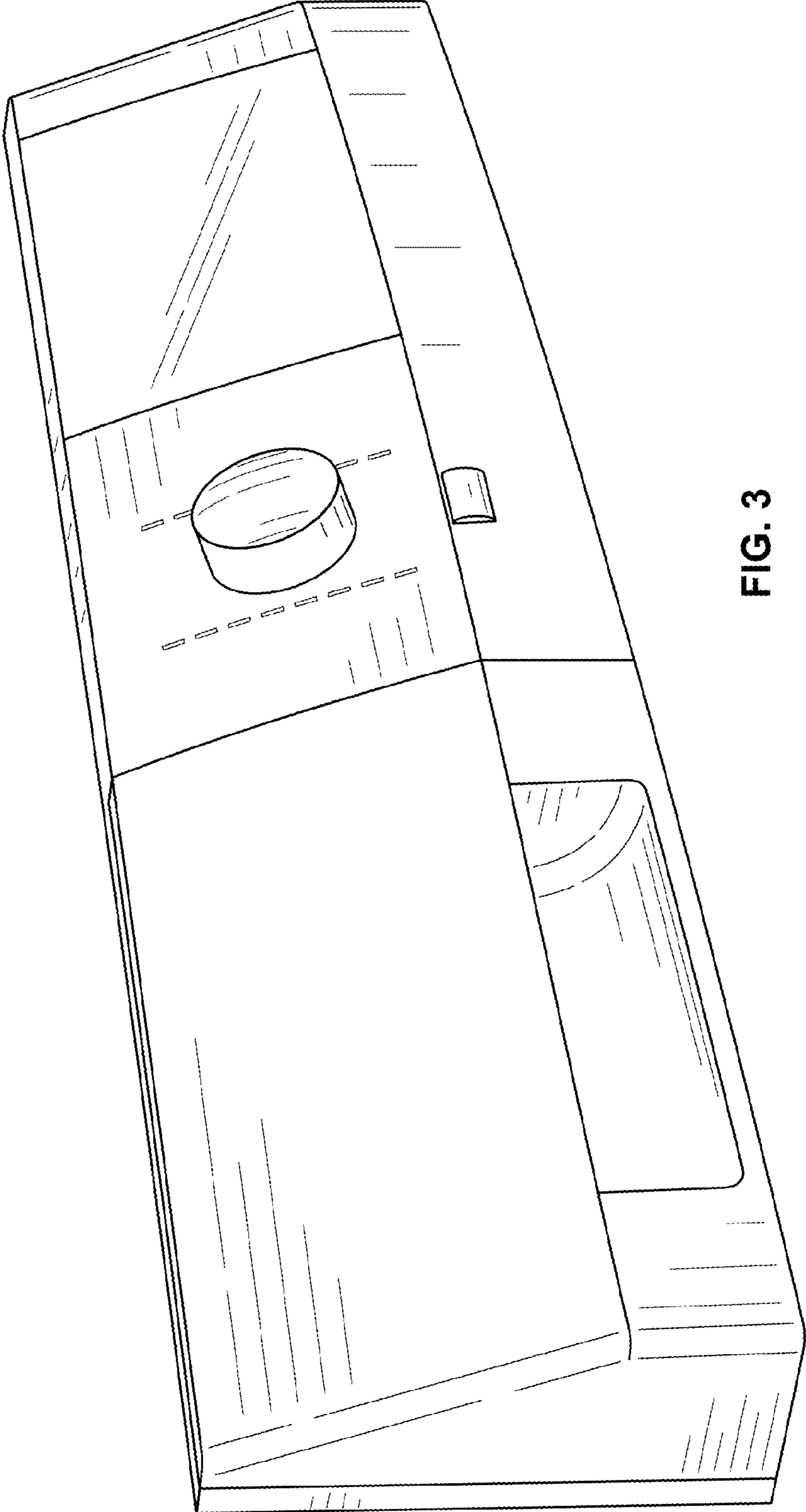


FIG. 3