



US00D681889S

(12) **United States Design Patent**  
**Bruneel**

(10) **Patent No.:** **US D681,889 S**

(45) **Date of Patent:** **\*\* May 7, 2013**

(54) **CLEANER BODY OF AUTOMATIC POOL CLEANER**

(76) Inventor: **Jean Julien Bruneel**, Kowloon (HK)

(\*\*) Term: **14 Years**

(21) Appl. No.: **29/386,977**

(22) Filed: **Mar. 7, 2011**

(30) **Foreign Application Priority Data**

Feb. 11, 2011 (EM) ..... 001 820 614

(51) **LOC (9) Cl.** ..... **15-05**

(52) **U.S. Cl.**  
USPC ..... **D32/25**

(58) **Field of Classification Search** ..... D32/1,  
D32/15-18, 21, 25; 15/1.7, 246, 314; 210/167.1,  
210/169

See application file for complete search history.

(56) **References Cited**

U.S. PATENT DOCUMENTS

4,156,948	A *	6/1979	Chauvier et al.	.....	15/1.7
4,193,156	A *	3/1980	Chauvier	.....	15/1.7
5,337,433	A *	8/1994	Gould et al.	.....	15/1.7
5,706,540	A *	1/1998	Niewiarowski	.....	15/1.7
D436,700	S *	1/2001	Forbes et al.	.....	D32/25
6,662,394	B2 *	12/2003	Balint	.....	15/1.7

D498,889	S *	11/2004	Alsrue et al.	.....	D32/25
6,834,410	B2 *	12/2004	Phillipson et al.	.....	15/1.7
6,979,400	B2 *	12/2005	Bauckman et al.	.....	210/167.1
D605,370	S *	12/2009	Kellogg	.....	D32/21
D611,664	S *	3/2010	Sebor	.....	D32/15
2005/0006288	A1 *	1/2005	Bauckman et al.	.....	210/169
2007/0163060	A1 *	7/2007	Wang	.....	15/1.7

\* cited by examiner

*Primary Examiner* — T. Chase Nelson

*Assistant Examiner* — Kathleen M Sims

(74) *Attorney, Agent, or Firm* — George G. Wang; Bei & Ocean

(57) **CLAIM**

The ornamental design for a cleaner body of automatic pool cleaner, as shown and described.

**DESCRIPTION**

FIG. 1 is a perspective view of the cleaner body on an automatic pool cleaner showing the new design;

FIG. 2 is a top view of the cleaner body of automatic pool cleaner;

FIG. 3 is a bottom view thereof;

FIG. 4 is a front view thereof;

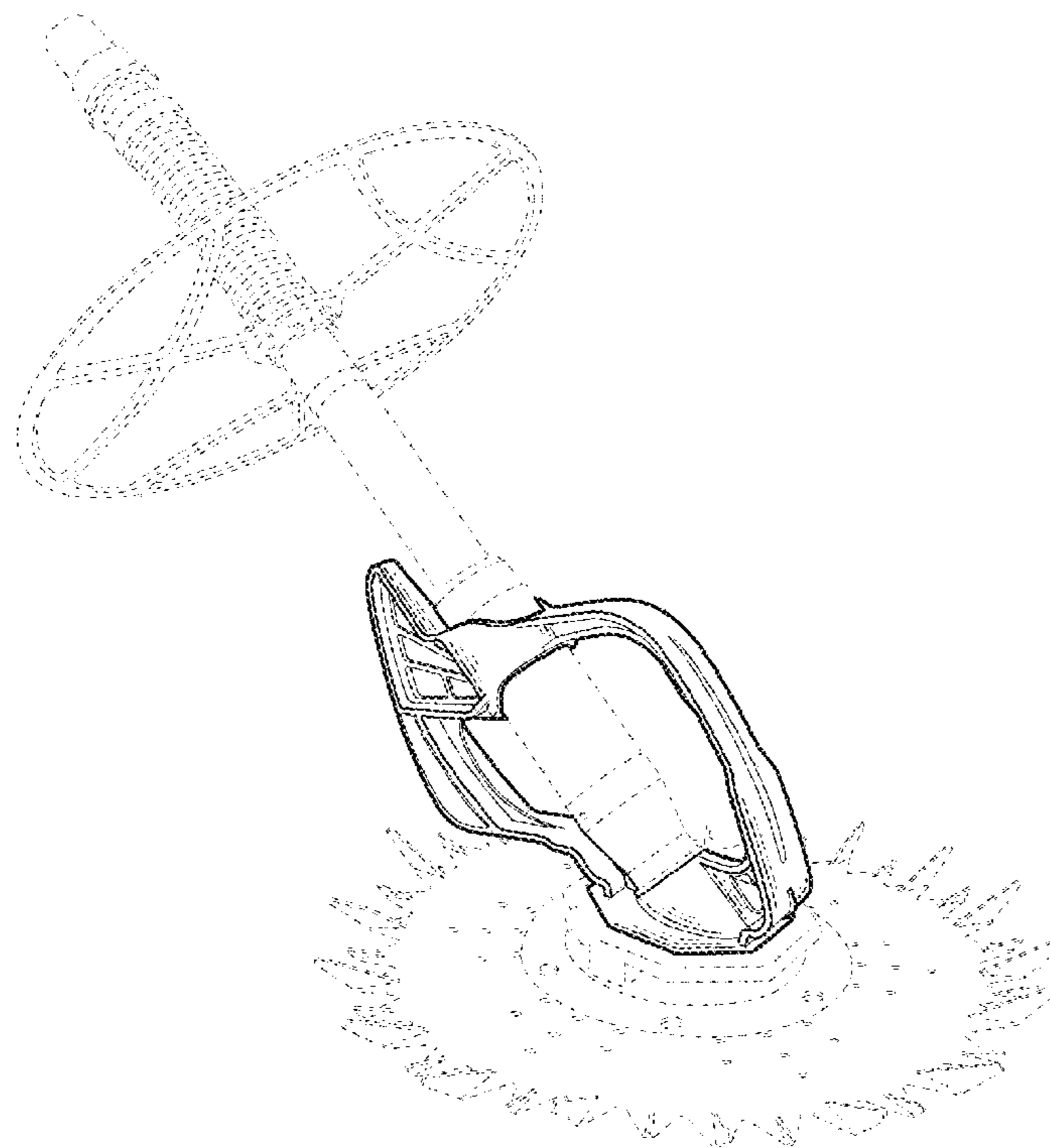
FIG. 5 is a rear view thereof;

FIG. 6 is a left side view thereof; and,

FIG. 7 is a right side view thereof.

The dash lines included depict environment and are not part of the claimed design.

**1 Claim, 7 Drawing Sheets**



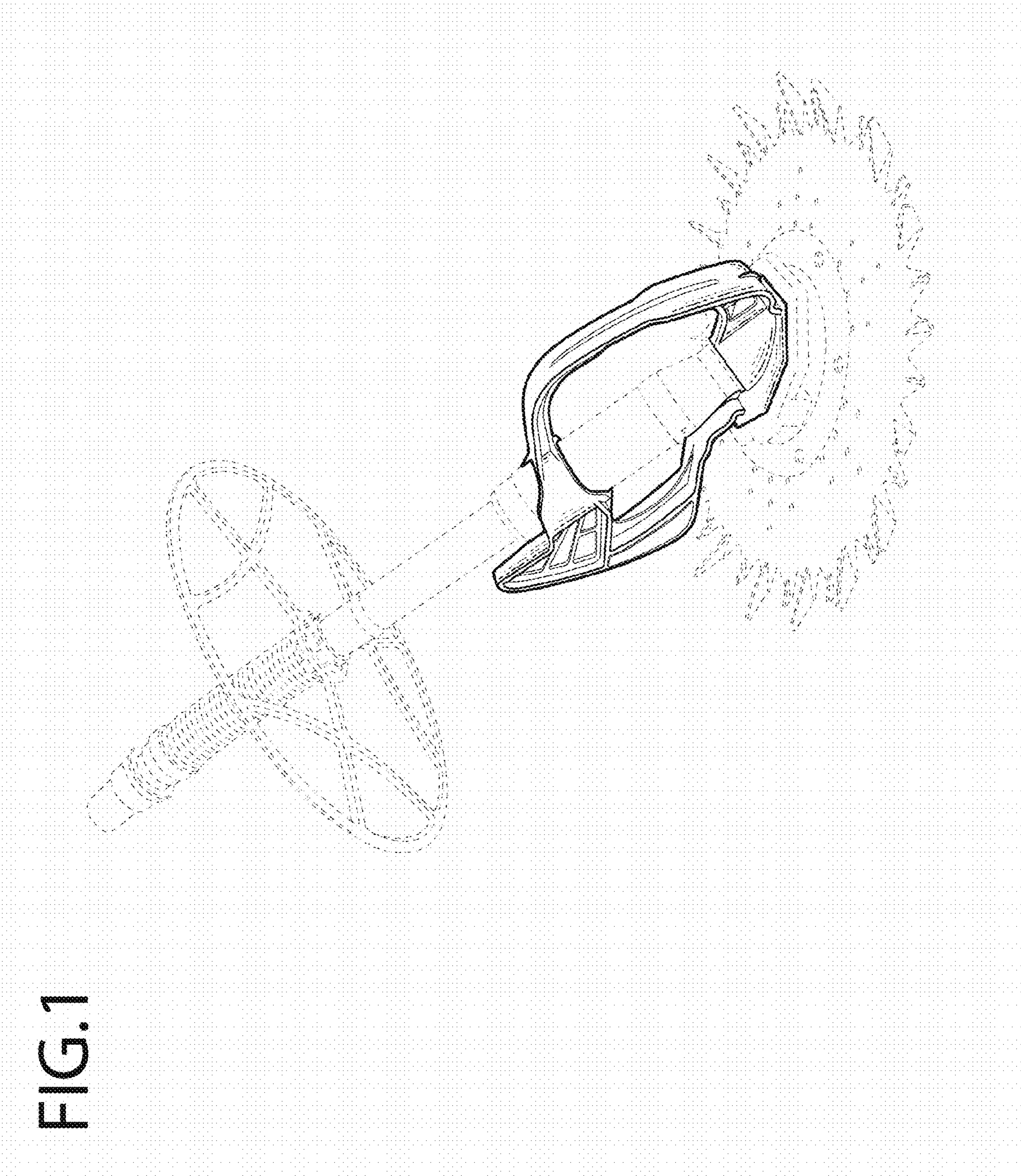


FIG. 1

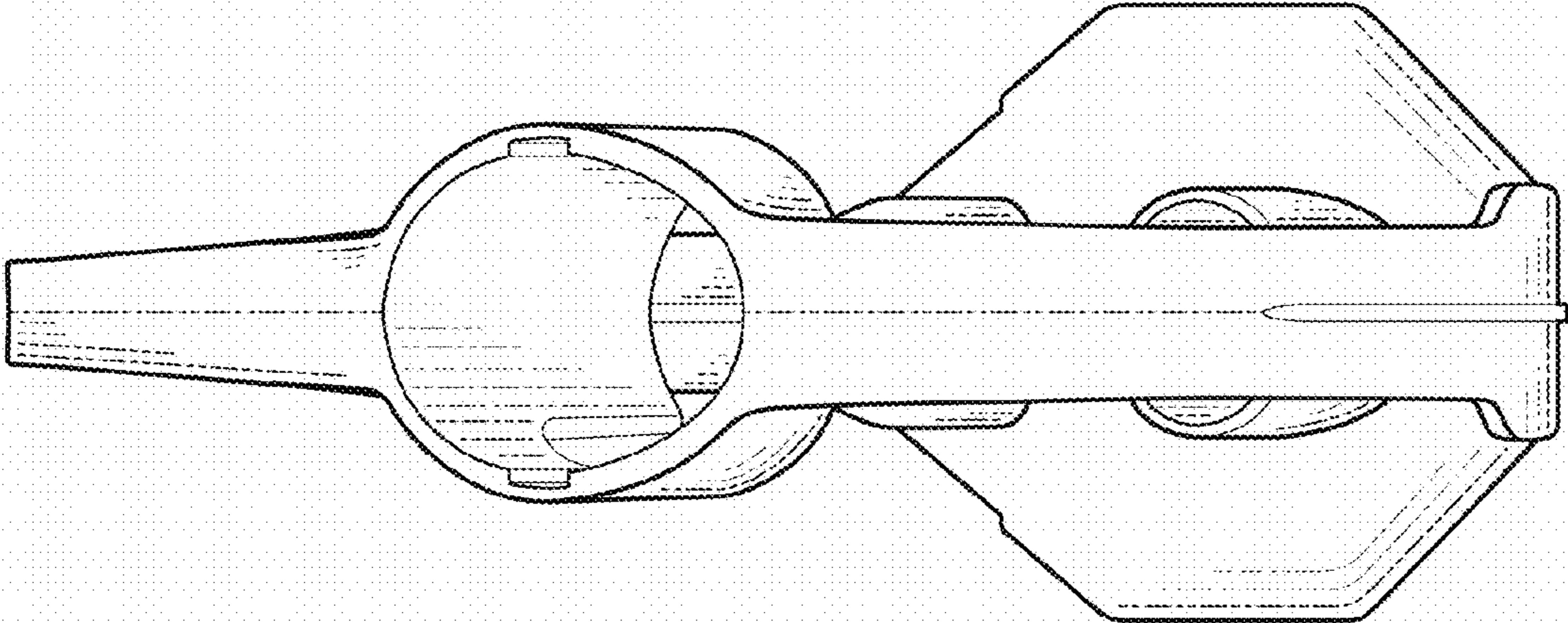


FIG.2



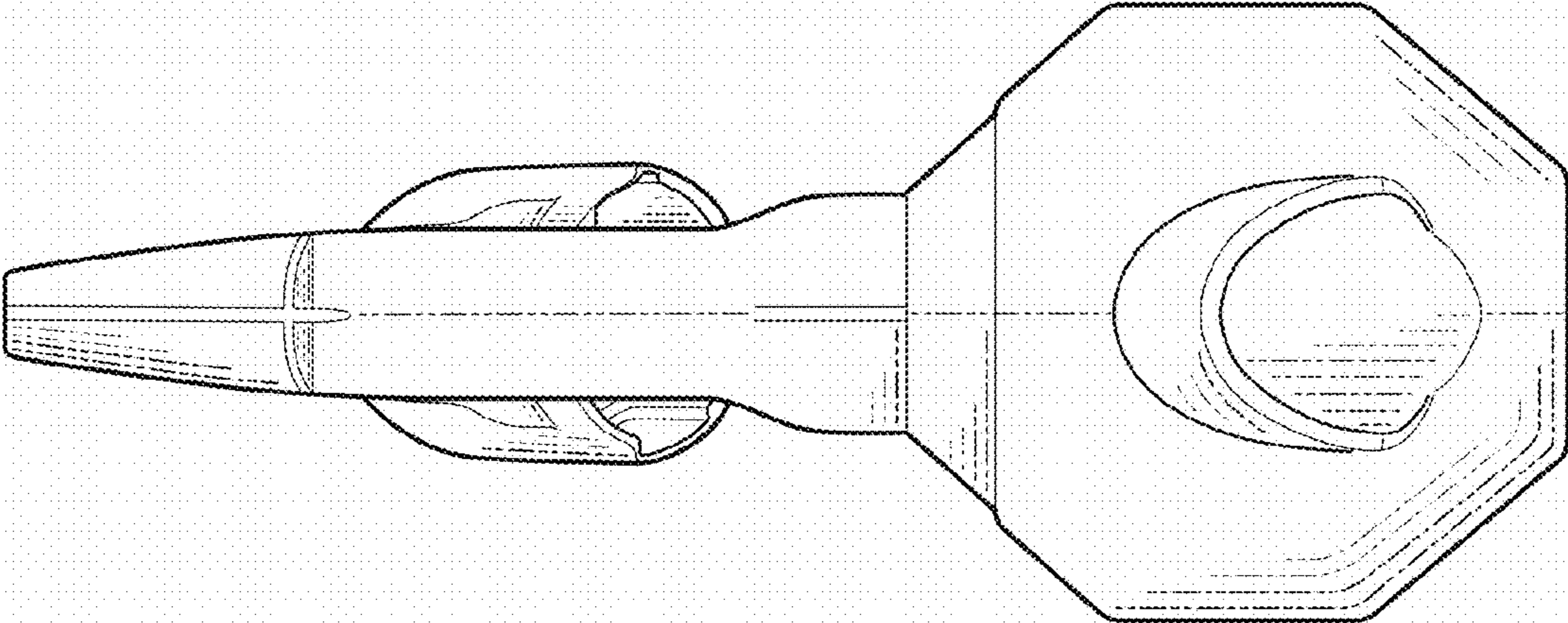


FIG.3

FIG.4

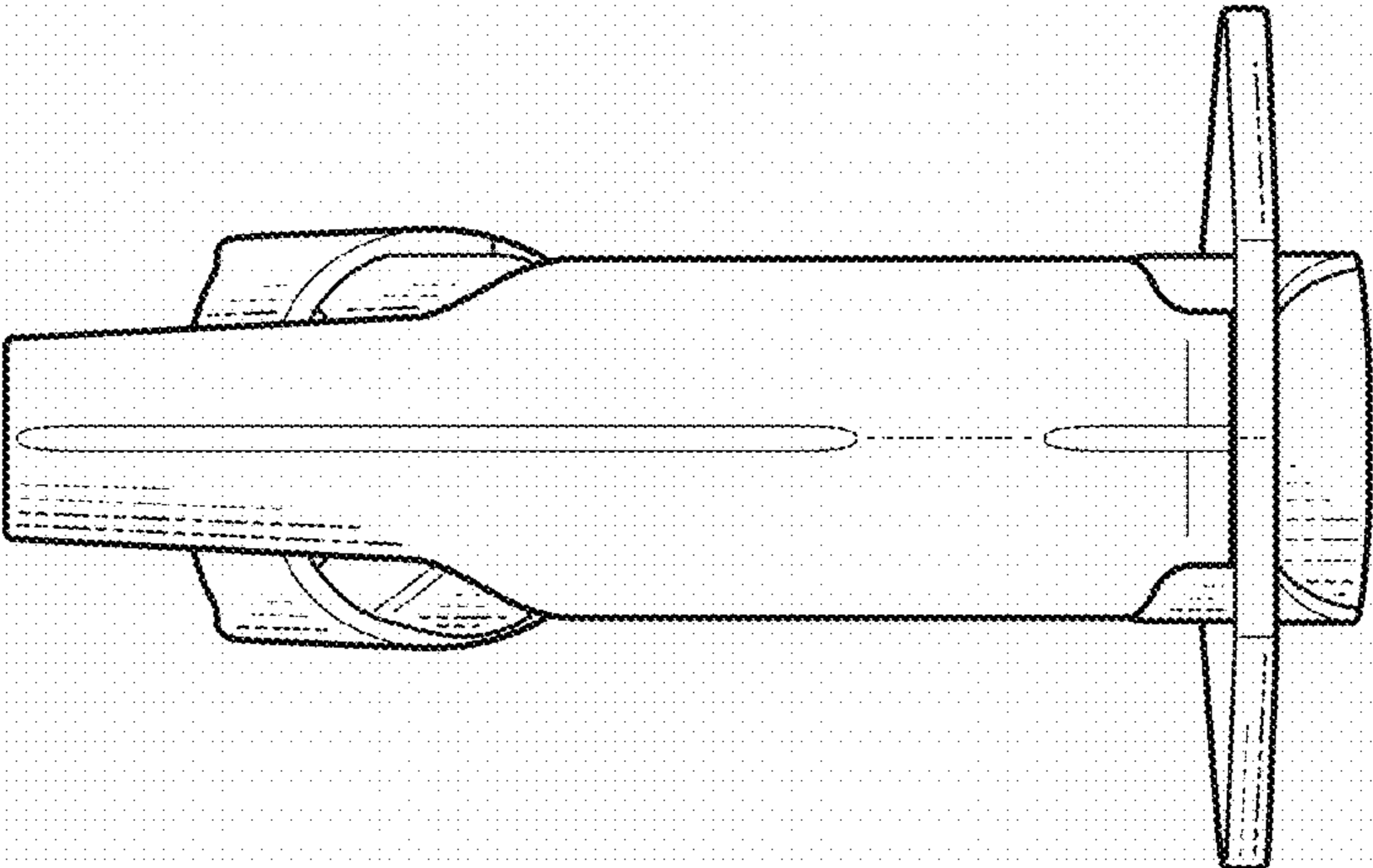


FIG. 5

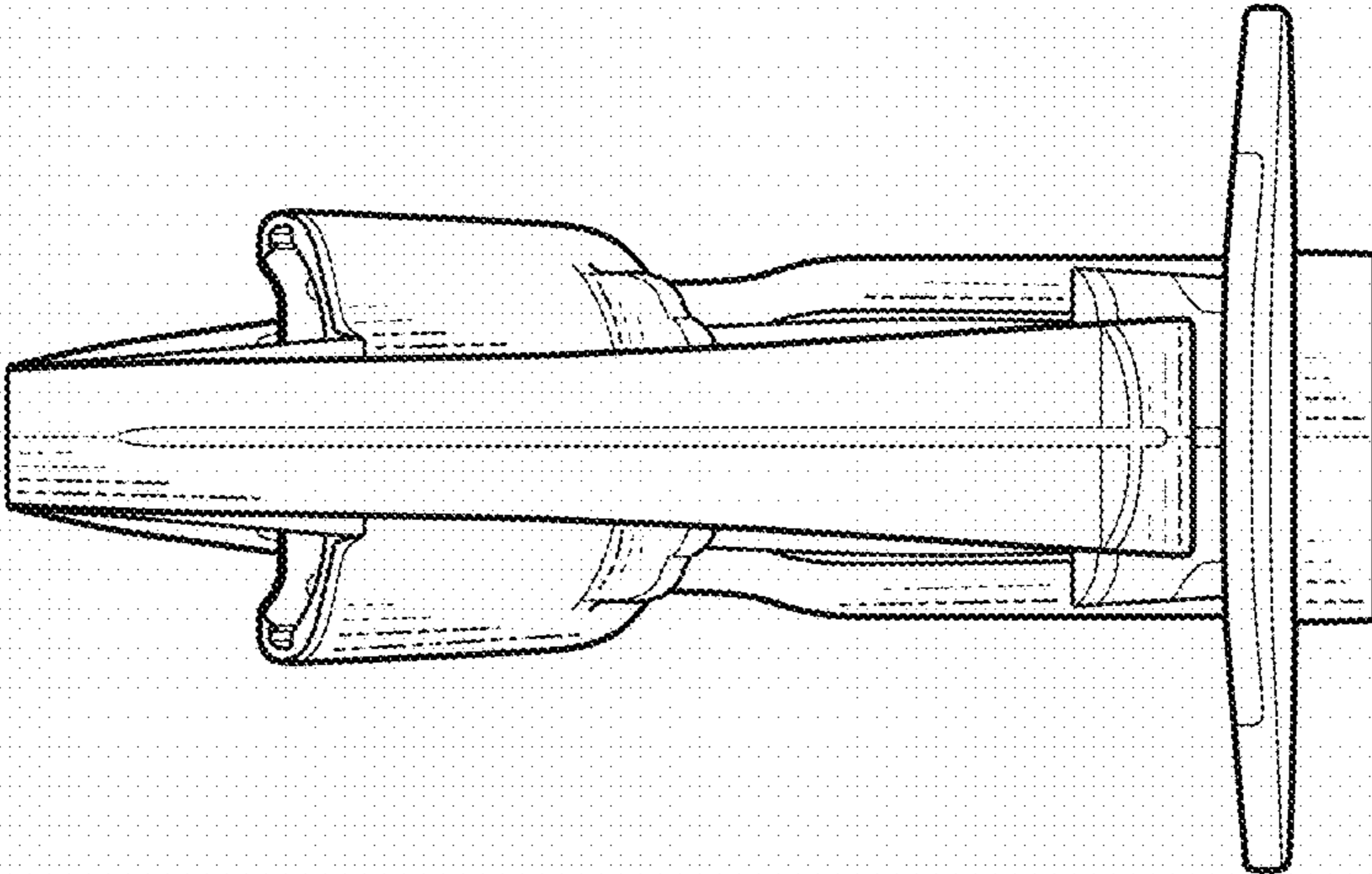




FIG.6

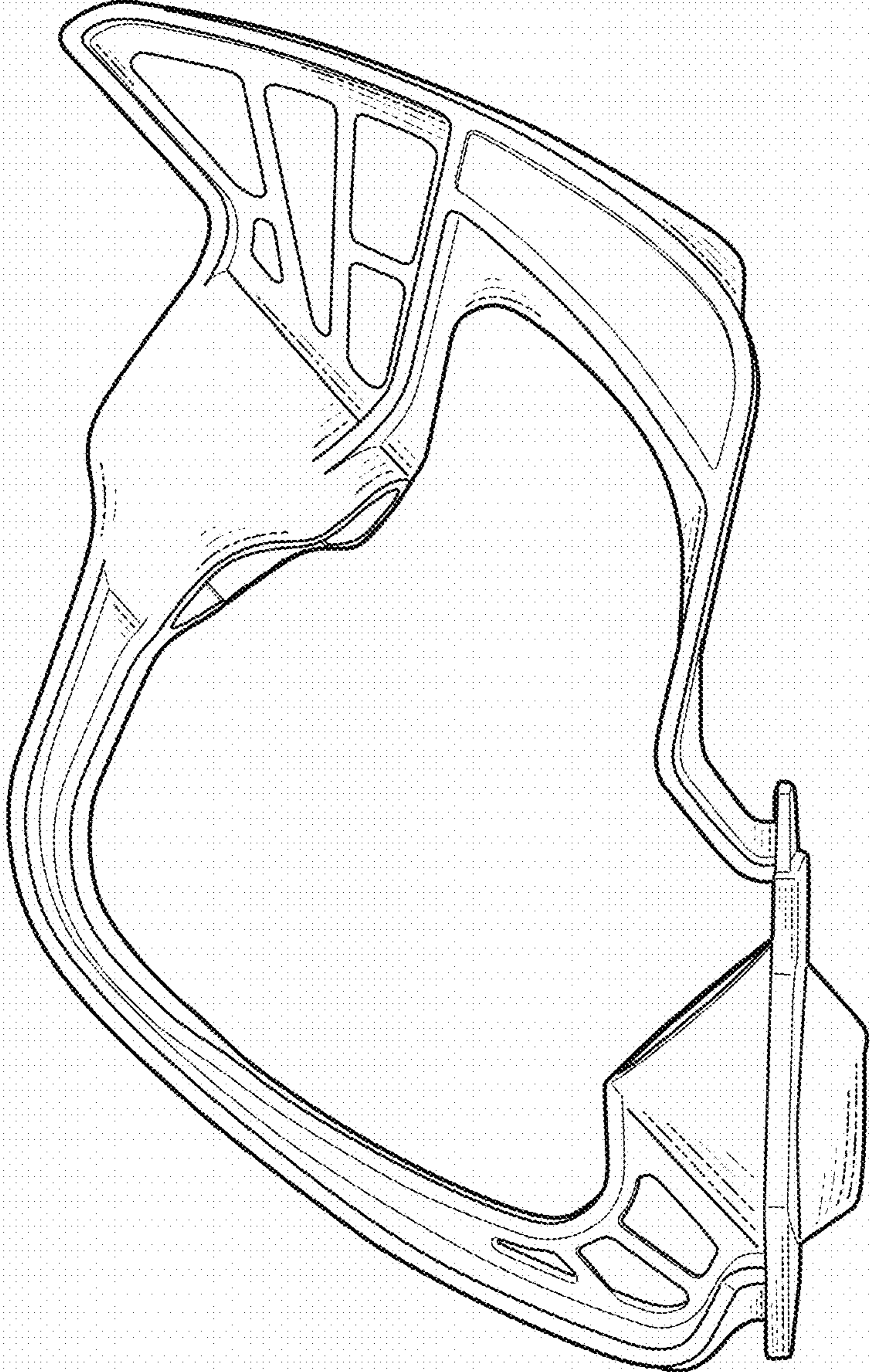


FIG. 7

