



US00D681888S

(12) **United States Design Patent**
Fang

(10) **Patent No.:** **US D681,888 S**

(45) **Date of Patent:** **** May 7, 2013**

(54) **ROUND PET FOUNTAIN**

(75) Inventor: **Kaixiang Fang**, Shenzhen (CN)

(73) Assignee: **Shenzhen Xingrisheng Industrial Co., Ltd.**, Shenzhen (CN)

(**) Term: **14 Years**

(21) Appl. No.: **29/431,812**

(22) Filed: **Sep. 11, 2012**

(30) **Foreign Application Priority Data**

Mar. 14, 2012 (CN) 2012 3 0059398

(51) **LOC (9) Cl.** **30-03**

(52) **U.S. Cl.**
USPC **D30/132**

(58) **Field of Classification Search** D30/123,
D30/129, 132, 121; 119/69.5, 673, 57.8,
119/68, 74, 61.57, 78-81, 61.4, 57.9, 51.5,
119/61.5, 72; 47/66.6, 39, 67, 83; 239/27,
239/280, 200, 281, 280.5, 273, 16, 17, 20,
239/22; 4/644, 627, 638; D7/558; D11/144,
D11/145, 153; D99/5, 24; 27/1; D23/201,
D23/292; 248/127, 132, 137, 138, 158, 910;
215/10; D6/353, 352, 484, 360, 480, 488;
219/521; 329/442, 459

See application file for complete search history.

(56) **References Cited**

U.S. PATENT DOCUMENTS

D30,528 S * 4/1899 Hightower D22/122
D31,784 S * 11/1899 Howle D7/360
D42,061 S * 12/1911 Quebe D30/132
1,226,594 A * 5/1917 Pruefert 119/77
1,469,340 A * 10/1923 Shortell 119/52.1
1,785,921 A * 12/1930 Thompson et al. 119/77
D105,812 S * 8/1937 Siekert D30/130

D122,576 S * 9/1940 Steinhilber D7/557
D126,997 S * 5/1941 Bentzen et al. D30/129
D130,080 S * 10/1941 Wyncoop D7/553.6
D156,331 S * 12/1949 French D30/129
D161,154 S * 12/1950 Bartholomew D23/201
2,543,465 A * 2/1951 Morey 119/51.5
D168,823 S * 2/1953 Blazey D11/152
2,661,679 A * 12/1953 Van Guilder 249/139
2,808,028 A * 10/1957 Landgraf 119/53
2,813,509 A * 11/1957 Bruno 119/51.01
2,821,904 A * 2/1958 Arcabosso 99/346
2,978,837 A * 4/1961 Daniels 47/32
D190,668 S * 6/1961 Bliss D7/557
D193,308 S * 7/1962 Jackson D7/501
3,084,666 A * 4/1963 Plaisance 119/69.5
D196,777 S * 11/1963 Haynes D30/132
D197,234 S * 12/1963 Karlik D30/123
3,196,777 A * 7/1965 Luker 249/142
3,203,397 A * 8/1965 Henry 119/53
3,205,860 A * 9/1965 Moore 119/52.4
D207,915 S * 6/1967 Zimmerman D11/152
D208,097 S * 7/1967 Henn D7/558
3,399,858 A * 9/1968 Luker 249/117

(Continued)

Primary Examiner — Susan Moon Lee

(57) **CLAIM**

I claim the ornamental design for a round pet fountain, as shown and described.

DESCRIPTION

FIG. 1 is a perspective view of the round pet fountain showing my new design;

FIG. 2 is a top perspective view thereof;

FIG. 3 is a front elevation view thereof;

FIG. 4 is a rear elevation view thereof;

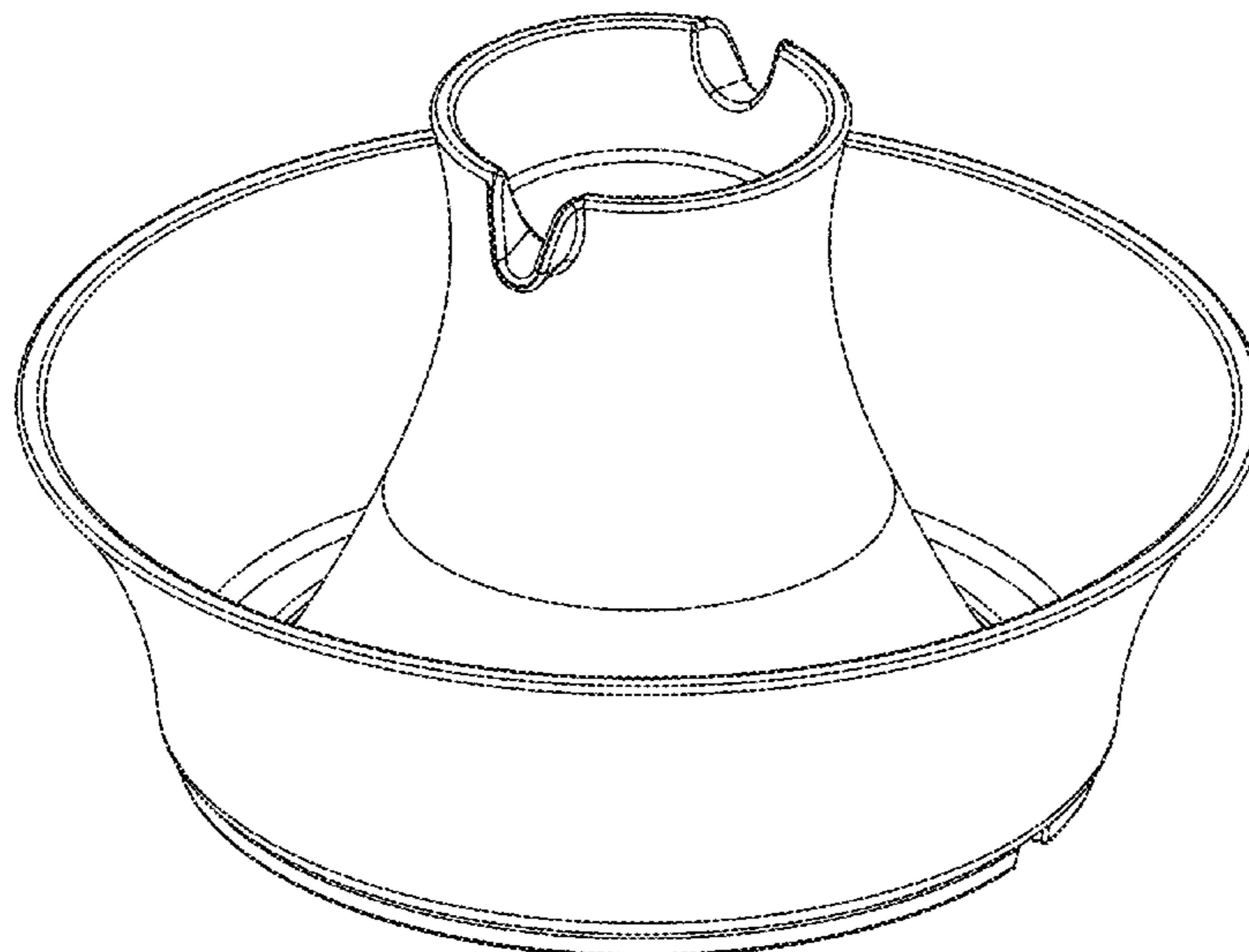
FIG. 5 is a left elevation view thereof;

FIG. 6 is a right elevation view there; and,

FIG. 7 is a top plan view thereof.

The underside of the fountain is unornamented. The appearance of the underside of the fountain is not claimed.

1 Claim, 5 Drawing Sheets



US D681,888 S

U.S. PATENT DOCUMENTS

3,491,724	A *	1/1970	Sunner	119/61.54	D434,697	S *	12/2000	Dachtera	D11/152
D220,230	S *	3/1971	Friedman	D28/93	D437,522	S *	2/2001	Measom	D7/354
D221,650	S *	8/1971	Gruber	D23/201	6,192,792	B1 *	2/2001	Gremillion	99/426
D221,755	S *	9/1971	Johnson	D23/201	D441,315	S *	5/2001	Huffman	D11/143
3,756,462	A *	9/1973	Cain	220/23.83	D444,676	S *	7/2001	Murphy	D7/553.6
D236,064	S *	7/1975	Balbo	D7/558	D453,308	S *	2/2002	McCauley	D11/152
3,896,586	A *	7/1975	Caldwell	47/21.1	D453,488	S *	2/2002	McCauley	D11/152
D241,567	S *	9/1976	England	D11/152	6,349,632	B1 *	2/2002	Beck, Jr.	99/345
D245,408	S *	8/1977	Baumann et al.	D11/155	D455,979	S *	4/2002	Salenger	D11/155
4,116,355	A *	9/1978	Munn et al.	220/574	6,460,452	B1 *	10/2002	Hester	99/347
D253,272	S *	10/1979	Ottier	D7/545	6,467,399	B1 *	10/2002	Boutte	99/347
4,227,343	A *	10/1980	Espy et al.	47/39	D468,064	S *	12/2002	Pardo	D30/130
4,268,992	A *	5/1981	Scharf, Sr.	47/32.4	6,487,964	B2 *	12/2002	Snoke et al.	99/345
4,348,831	A *	9/1982	Chambers	47/32	6,502,501	B1 *	1/2003	Simon	99/345
4,380,190	A *	4/1983	Adamis	99/345	6,502,503	B1 *	1/2003	Bell et al.	99/419
4,395,015	A *	7/1983	Reardon	249/115	6,503,551	B1 *	1/2003	Hester	426/523
D273,430	S *	4/1984	Salinas	D30/130	6,553,896	B1 *	4/2003	Heide	99/347
D278,521	S *	4/1985	Baird et al.	D11/153	6,557,460	B2 *	5/2003	Hester	99/347
D291,620	S *	9/1987	Porchia	D1/105	6,575,082	B1 *	6/2003	Liao	99/340
D302,750	S *	8/1989	Brembeck et al.	D30/122	D480,986	S *	10/2003	Taylor	D11/143
D302,753	S *	8/1989	Zelinger	D30/129	D483,385	S *	12/2003	Kapenekas et al.	D16/135
D304,658	S *	11/1989	Mattei	D7/505	D485,710	S *	1/2004	Burkhart et al.	D6/491
D304,659	S *	11/1989	Asner	D7/505	D486,991	S *	2/2004	Lee	D7/357
4,887,523	A *	12/1989	Murphy et al.	99/419	D488,741	S *	4/2004	Moya	D11/143
4,991,345	A *	2/1991	Bloch	47/79	D498,432	S *	11/2004	Fan	D11/152
D318,821	S *	8/1991	Seymour	D11/155	6,860,229	B1 *	3/2005	Craft	119/61.5
D322,048	S *	12/1991	Saarinen	D11/155	D503,833	S *	4/2005	Bright et al.	D30/104
D322,911	S *	1/1992	Schmengler	D7/359	D504,581	S *	5/2005	Kim et al.	D6/457
D323,268	S *	1/1992	Reiman	D8/1	D506,352	S *	6/2005	Dow et al.	D7/361
5,125,363	A *	6/1992	McGaha	119/51.5	D507,755	S *	7/2005	Reitze	D9/737
5,218,926	A *	6/1993	Wenstrand	119/77	D513,930	S *	1/2006	Novi	D7/409
5,253,609	A *	10/1993	Partelow et al.	119/61.53	D522,807	S *	6/2006	Dow et al.	D7/409
5,301,602	A *	4/1994	Ryczek	99/345	D527,224	S *	8/2006	Roth et al.	D7/540
D347,143	S *	5/1994	Awyong	D7/354	D527,954	S *	9/2006	Roth	D7/557
D348,418	S *	7/1994	White-Wexler et al.	D11/155	D538,041	S *	3/2007	Reitze	D3/314
D350,842	S *	9/1994	VanSkiver	D30/121	D556,511	S *	12/2007	Mansfield	D7/523
D351,762	S *	10/1994	Williams et al.	D7/547	D558,519	S *	1/2008	Zemel	D7/409
5,372,063	A *	12/1994	Berg	100/110	D559,472	S *	1/2008	Abinanti et al.	D30/129
D356,010	S *	3/1995	McEntee	D7/557	D562,074	S *	2/2008	Mansfield	D7/523
5,423,451	A *	6/1995	Snyder	220/574	D564,286	S *	3/2008	Zemel	D7/354
D360,112	S *	7/1995	McEntee	D7/584	D572,533	S *	7/2008	Mansfield et al.	D7/513
5,441,164	A *	8/1995	Beck et al.	220/575	D574,183	S *	8/2008	Broom	D7/359
D363,046	S *	10/1995	Rimback	D11/155	D575,986	S *	9/2008	Cetera	D7/501
D363,573	S *	10/1995	Rehn	D30/130	D576,837	S *	9/2008	Le Vavasseeure	D7/412
5,456,044	A *	10/1995	Parker et al.	47/21.1	D587,529	S *	3/2009	Pratt	D7/555
5,467,738	A *	11/1995	Cass	119/61.53	D590,042	S *	4/2009	Hoskins	D23/201
D369,717	S *	5/1996	Chiba	D7/354	D591,105	S *	4/2009	Hodges	D7/409
D374,952	S *	10/1996	Wenstrand	D30/132	D596,461	S *	7/2009	Mansfield et al.	D7/513
5,575,198	A *	11/1996	Lowery	99/426	D598,224	S *	8/2009	Zanini	D6/510
5,628,276	A *	5/1997	Raposa	119/61.54	7,640,848	B1 *	1/2010	Bourgeois	99/340
5,636,923	A *	6/1997	Nejat-Bina	366/205	D614,081	S *	4/2010	Potts et al.	D11/152
D382,511	S *	8/1997	Azarian	D11/143	D625,138	S *	10/2010	Feller et al.	D7/326
5,676,050	A *	10/1997	Beck	99/428	D625,886	S *	10/2010	Ellard	D30/131
D389,011	S *	1/1998	DeCoster	D7/387	D627,257	S *	11/2010	Blevins et al.	D11/155
D393,816	S *	4/1998	Conner	D11/143	7,879,381	B2 *	2/2011	Dow et al.	426/523
D394,301	S *	5/1998	Fisher	D23/201	D636,539	S *	4/2011	Montoya	D30/129
D397,581	S *	9/1998	Lowery	D7/409	D639,601	S *	6/2011	Borovicka et al.	D7/354
D402,425	S *	12/1998	Lacz et al.	D30/121	8,011,205	B2 *	9/2011	Roth et al.	62/457.6
5,873,573	A *	2/1999	Beatty, Jr.	273/336	D650,861	S *	12/2011	Chuang	D19/77
D412,297	S *	7/1999	Roach	D11/152	D657,612	S *	4/2012	Cloutier et al.	D7/354
D418,008	S *	12/1999	Rachel et al.	D7/359	D665,870	S *	8/2012	Fang	D23/201
D421,549	S *	3/2000	Hints	D7/555	D671,355	S *	11/2012	Zmrhal	D7/360
6,062,131	A *	5/2000	Holland	99/345	D677,018	S *	2/2013	Miller et al.	D30/132
D426,682	S *	6/2000	Kreger et al.	D30/121	2002/0195001	A1 *	12/2002	Hester	99/345
6,079,361	A *	6/2000	Bowell et al.	119/72	2004/0200359	A1 *	10/2004	Snider	99/446
6,119,585	A *	9/2000	Guidry	99/345	2005/0211806	A1 *	9/2005	Ng	241/169.1
6,125,739	A *	10/2000	Jernigan	99/345	2011/0067638	A1 *	3/2011	Lipscomb et al.	119/74

* cited by examiner

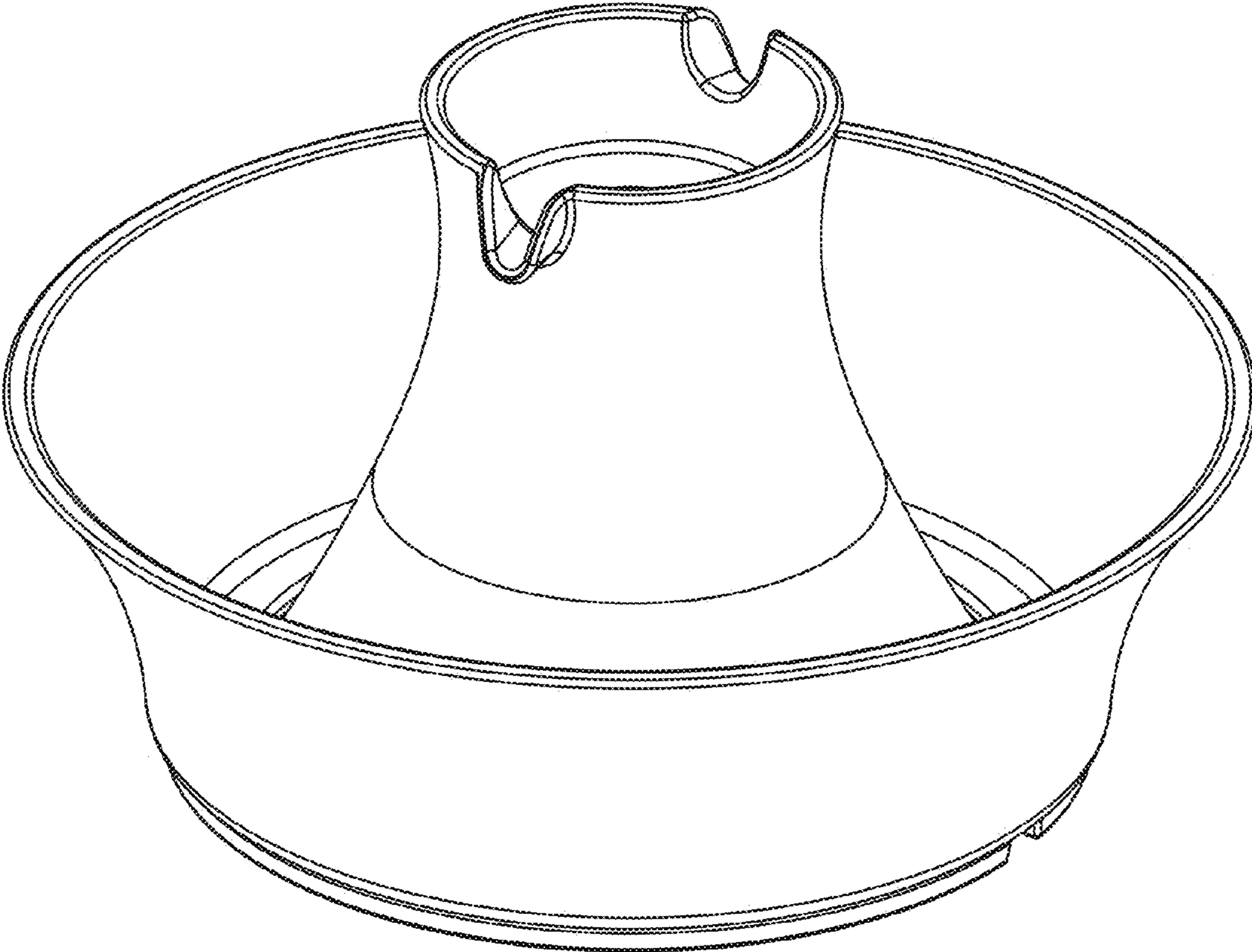


Fig.1

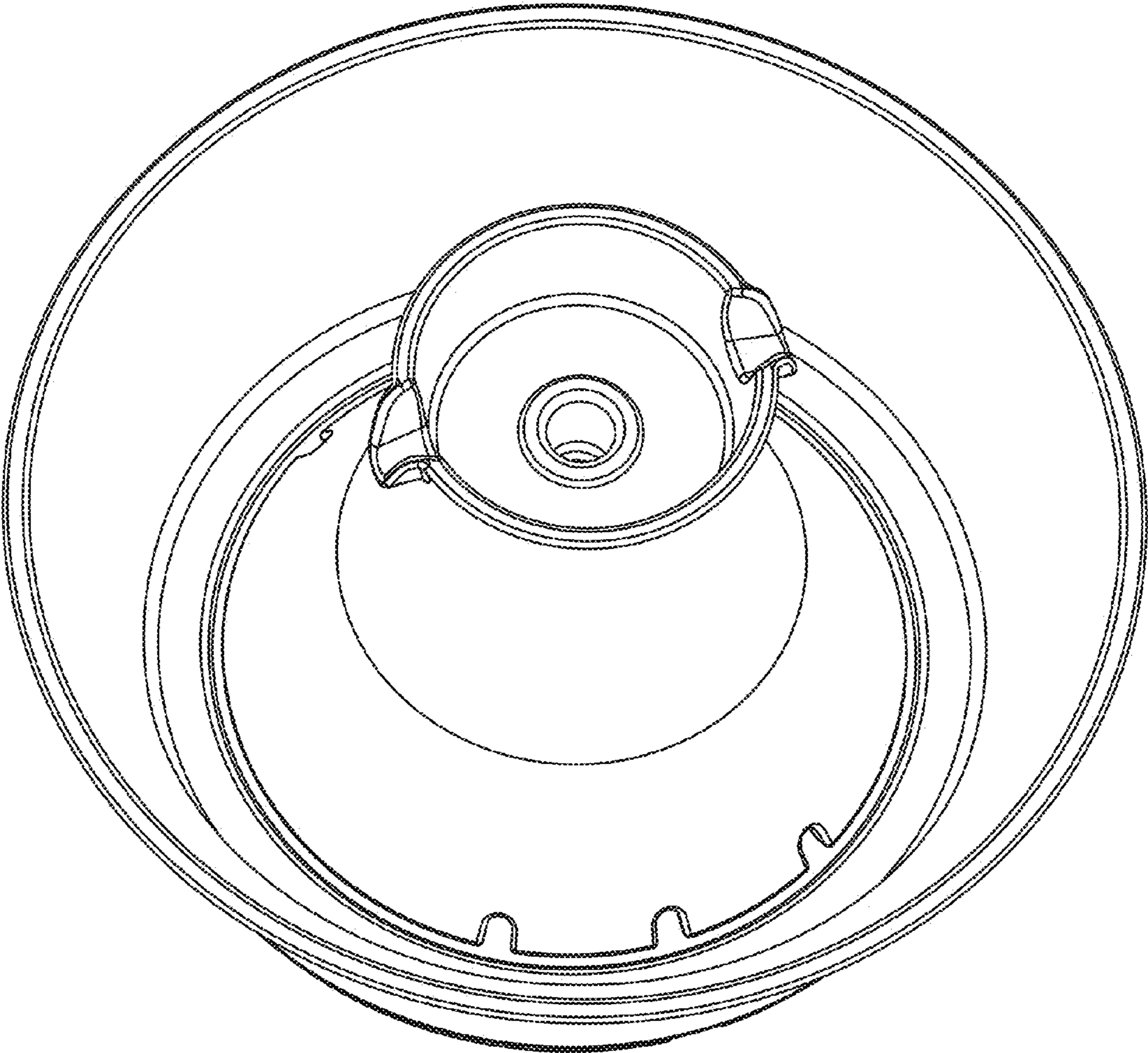


Fig.2

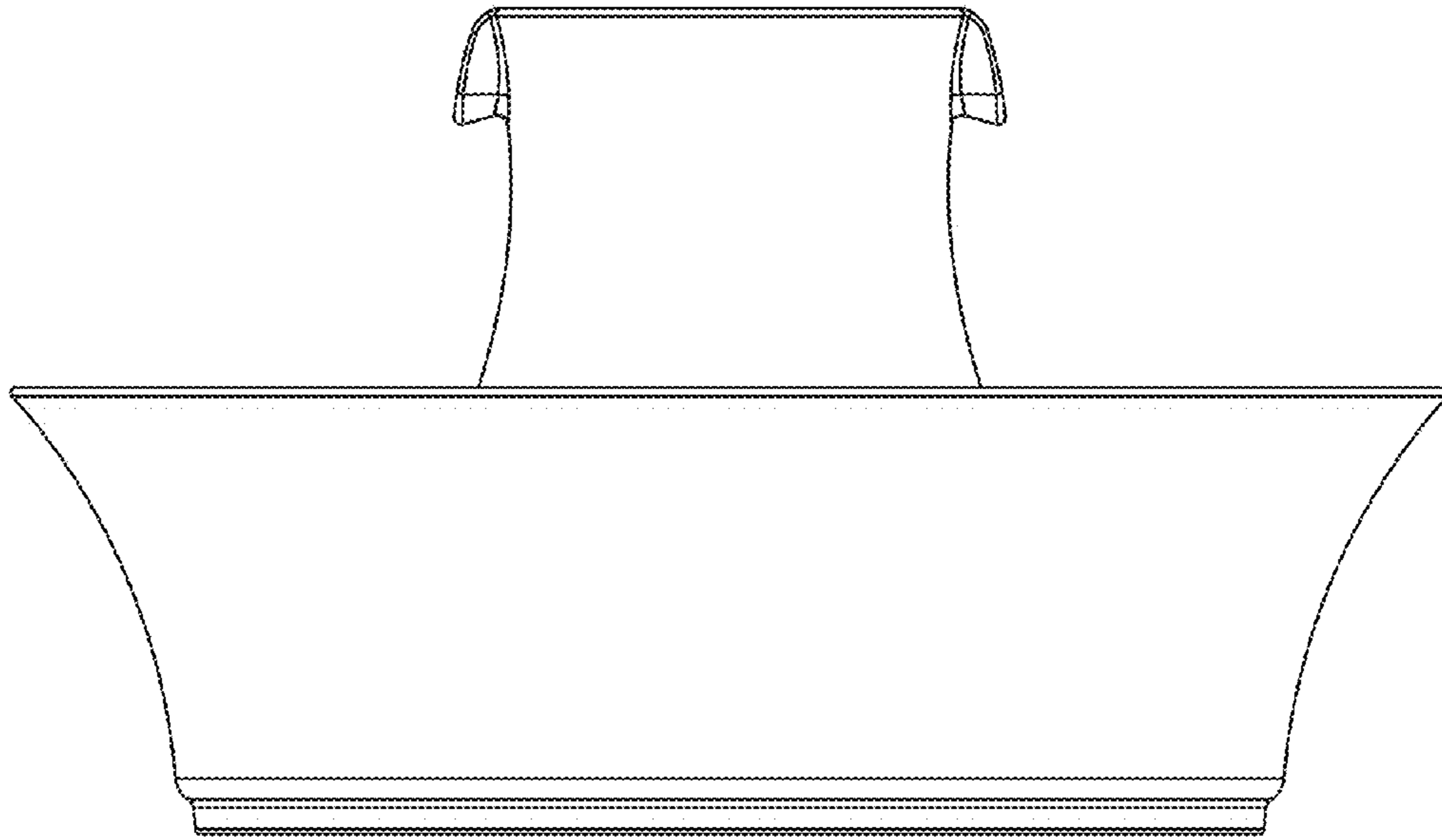


Fig.3

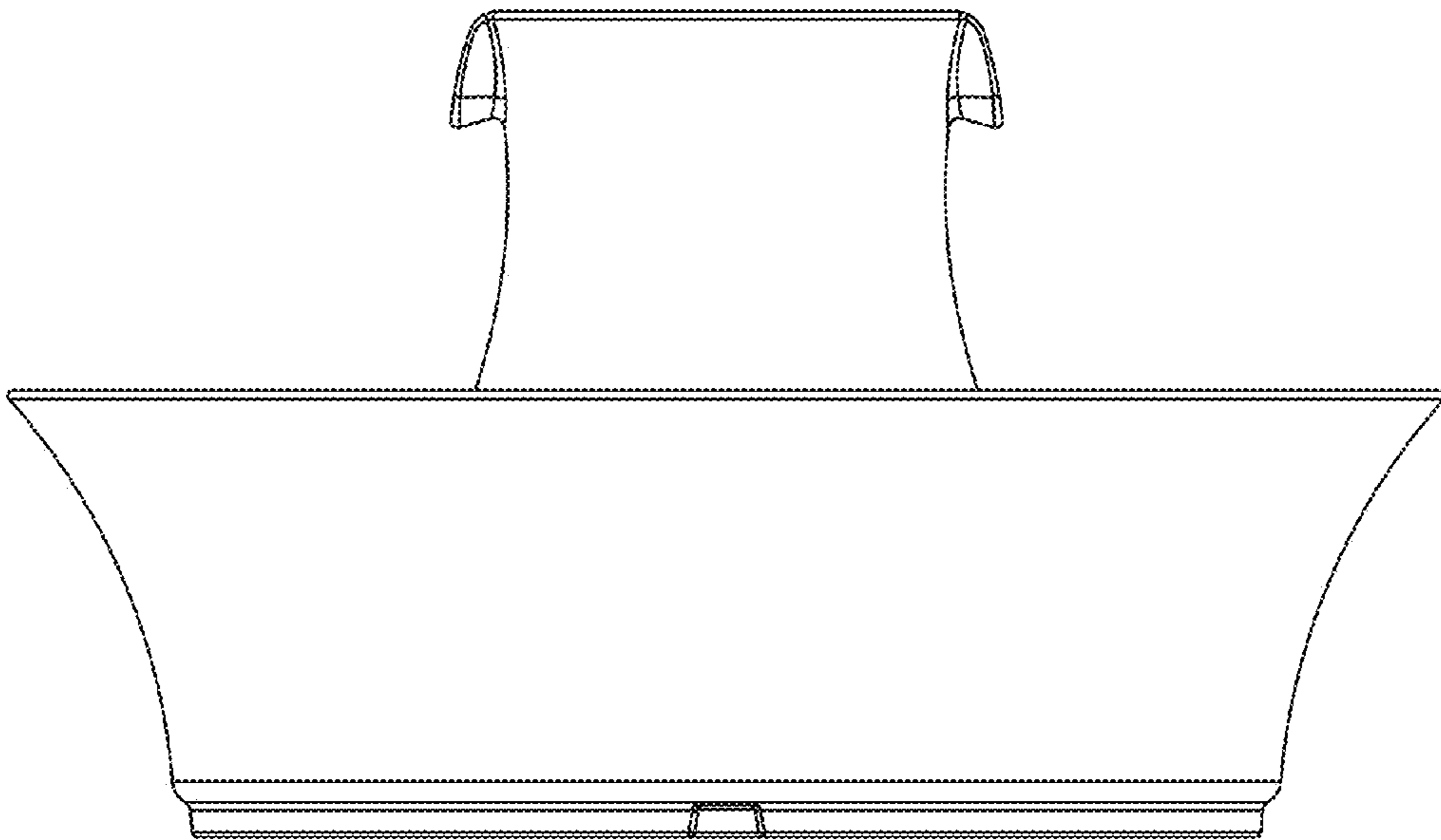


Fig.4

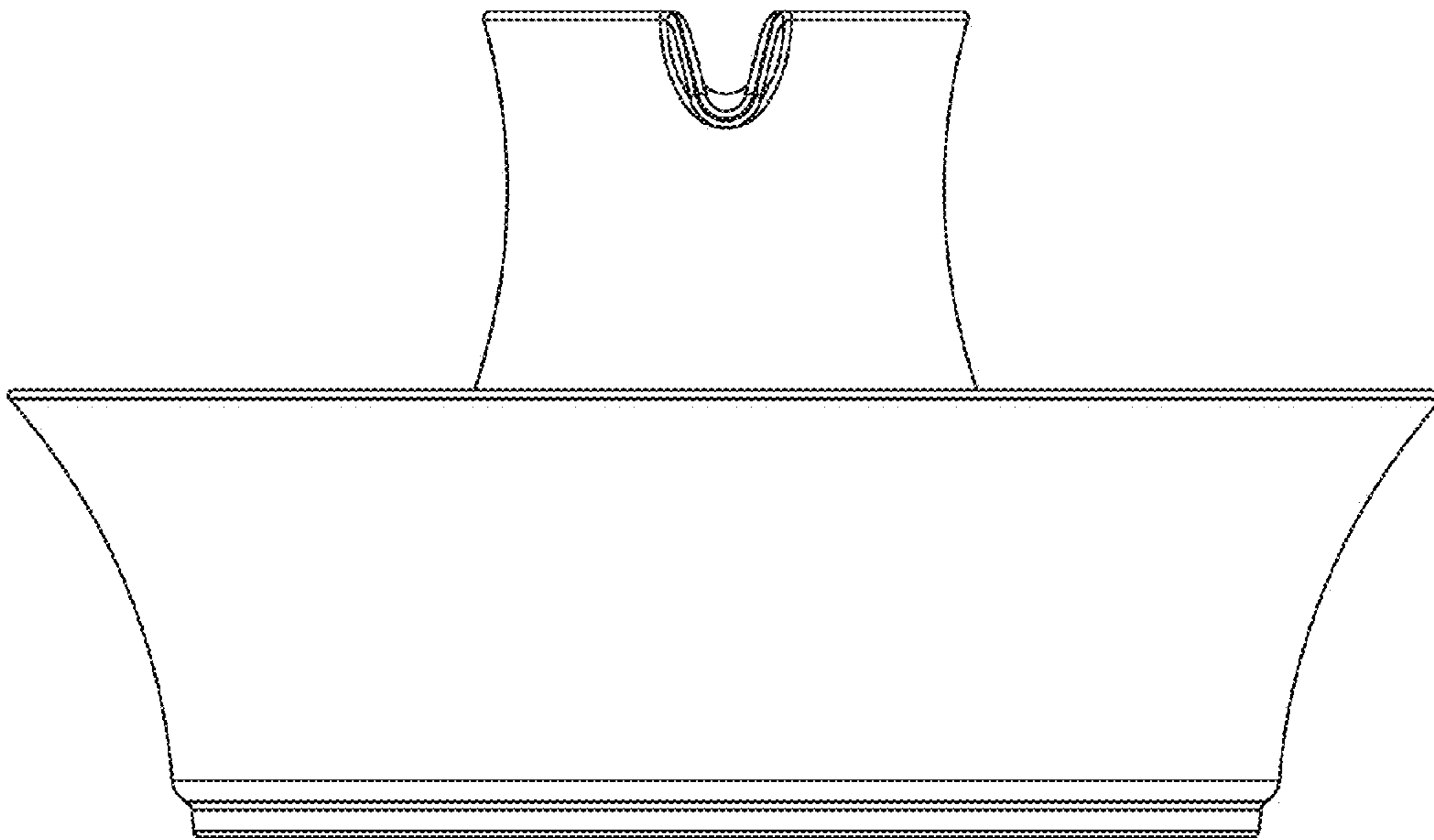


Fig.5

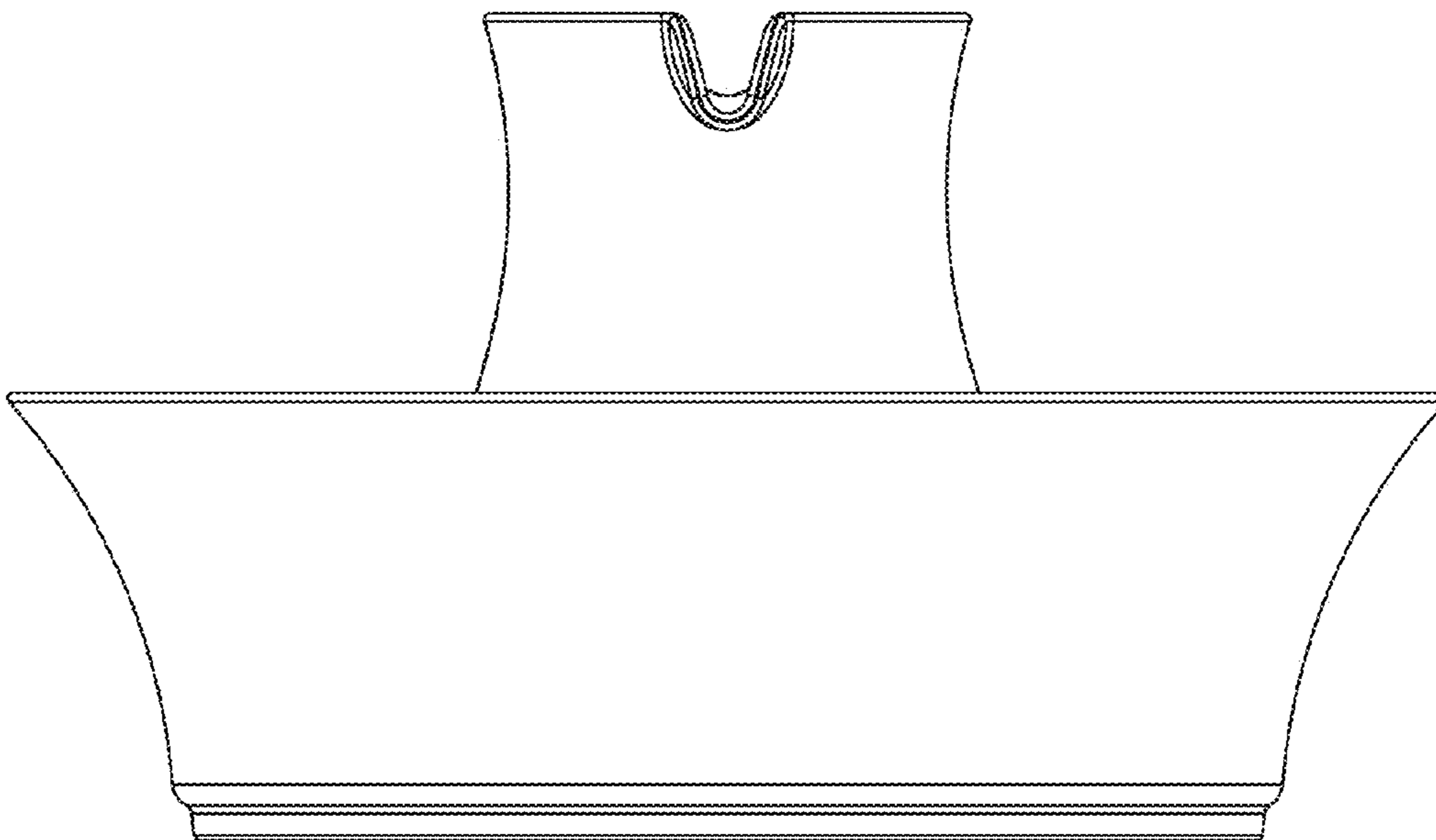


Fig.6

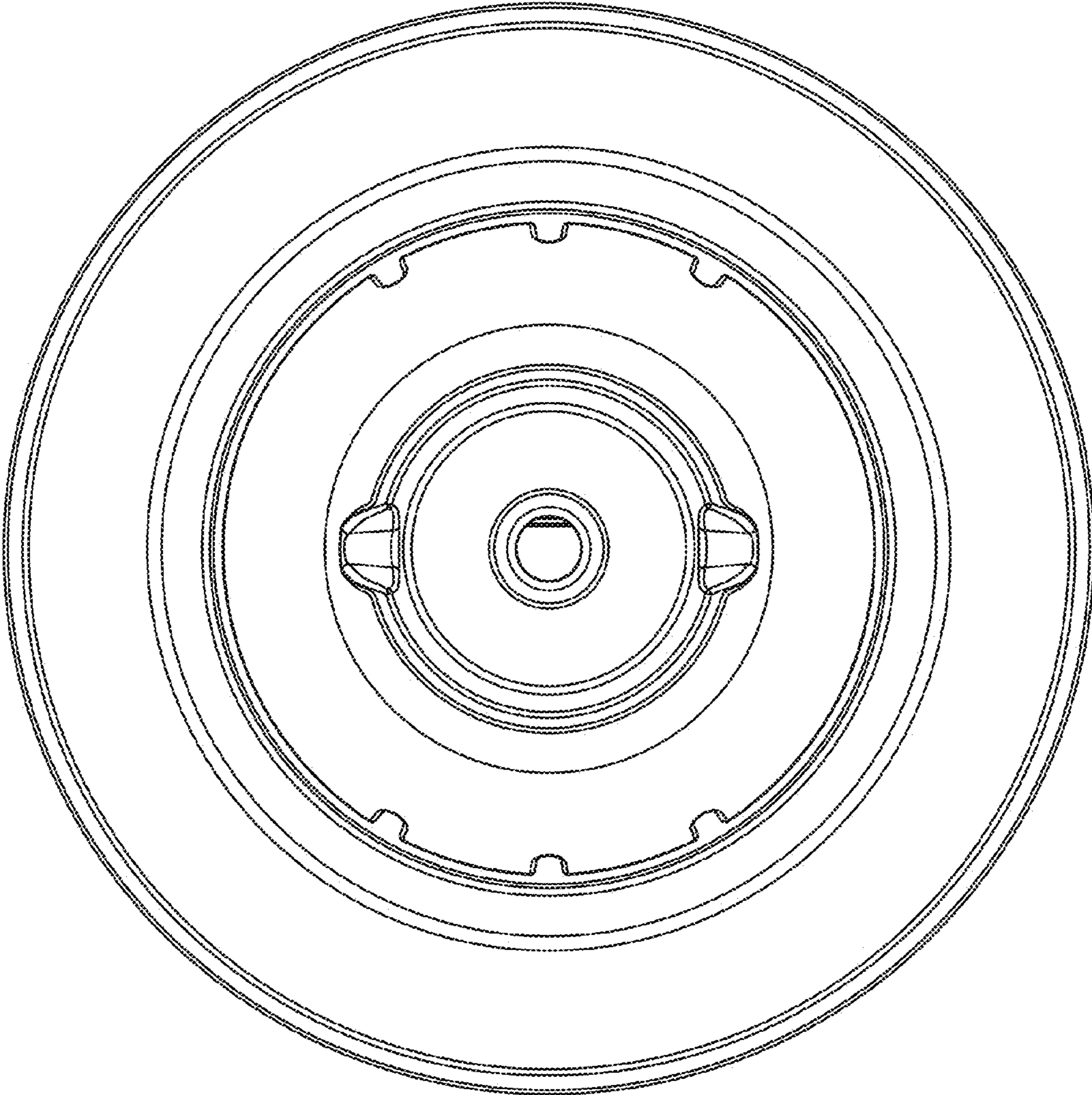


Fig.7