

US00D681887S

(12) **United States Design Patent**
Fang

(10) **Patent No.:** **US D681,887 S**

(45) **Date of Patent:** **** May 7, 2013**

(54) **SQUARE PET FOUNTAIN**

(75) Inventor: **Kaixiang Fang**, Baolong (CN)

(73) Assignee: **Shenzhen Xingrisheng Industrial Co., Ltd.**, Shenzhen (CN)

(**) Term: **14 Years**

(21) Appl. No.: **29/431,806**

(22) Filed: **Sep. 11, 2012**

(30) **Foreign Application Priority Data**

Mar. 14, 2012 (CN) 2012 3 0059396

(51) **LOC (9) Cl.** **30-03**

(52) **U.S. Cl.**
USPC **D30/132**

(58) **Field of Classification Search** D30/123,
D30/129, 132, 121; 119/69.5, 673, 57.8,
119/68, 74, 61.57, 78-81, 61.4, 57.9, 51.5,
119/61.5, 72; 47/66.6, 39, 67, 83; 239/27,
239/280, 200, 281, 280.5, 273, 16, 17, 20,
239/22; 4/644, 627, 638; D7/558; D11/144,
D11/145, 153; D99/5, 24; 27/1; D23/201,
D23/292; 248/127, 132, 137, 138, 158, 910;
215/10; D6/353, 352, 484, 360, 480, 488;
219/521; 329/442, 459

See application file for complete search history.

(56) **References Cited**

U.S. PATENT DOCUMENTS

280,291 A * 6/1883 Bunnell 43/121
D30,528 S * 4/1899 Hightower D22/122
1,339,625 A * 5/1920 Holloway 99/346
D58,196 S * 6/1921 McCollough D30/132
D75,218 S * 5/1928 Cowan D11/155
1,890,907 A * 12/1932 Hoover 99/419
D161,341 S * 12/1950 Isard D11/155

2,568,534 A * 9/1951 Baker 108/33
2,978,837 A * 4/1961 Daniels 47/32
D193,308 S * 7/1962 Jackson D7/501
3,205,860 A * 9/1965 Moore 119/52.4
D205,595 S * 8/1966 Titus D11/152
D210,750 S * 4/1968 Paxton D11/155
3,399,858 A * 9/1968 Luker 249/117
3,491,724 A * 1/1970 Sunner 119/61.54
3,879,889 A * 4/1975 Schmid 47/60
3,896,586 A * 7/1975 Caldwell 47/21.1
D241,874 S * 10/1976 Berglund D11/156
D242,267 S * 11/1976 Feeney, Jr. D11/155
4,018,004 A * 4/1977 Soffer 47/39
4,026,067 A * 5/1977 Wengel 47/39
D245,408 S * 8/1977 Baumann et al. D11/155
D245,684 S * 9/1977 Julinot D11/155
4,268,992 A * 5/1981 Scharf, Sr. 47/32.4
4,348,831 A * 9/1982 Chambers 47/32
4,833,999 A * 5/1989 Rhoades 108/38
D302,755 S * 8/1989 Zaliti D30/130
4,896,627 A * 1/1990 Riddell 119/51.5
D322,911 S * 1/1992 Schmengler D7/359
D327,534 S * 6/1992 Manville et al. D23/261

(Continued)

Primary Examiner — Susan Moon Lee

(57) **CLAIM**

The ornamental design for a square pet fountain, as shown and described.

DESCRIPTION

FIG. 1 is a perspective view of the square pet fountain showing my new design;

FIG. 2 is a top perspective view thereof;

FIG. 3 is a front elevation view thereof;

FIG. 4 is a rear elevation view thereof;

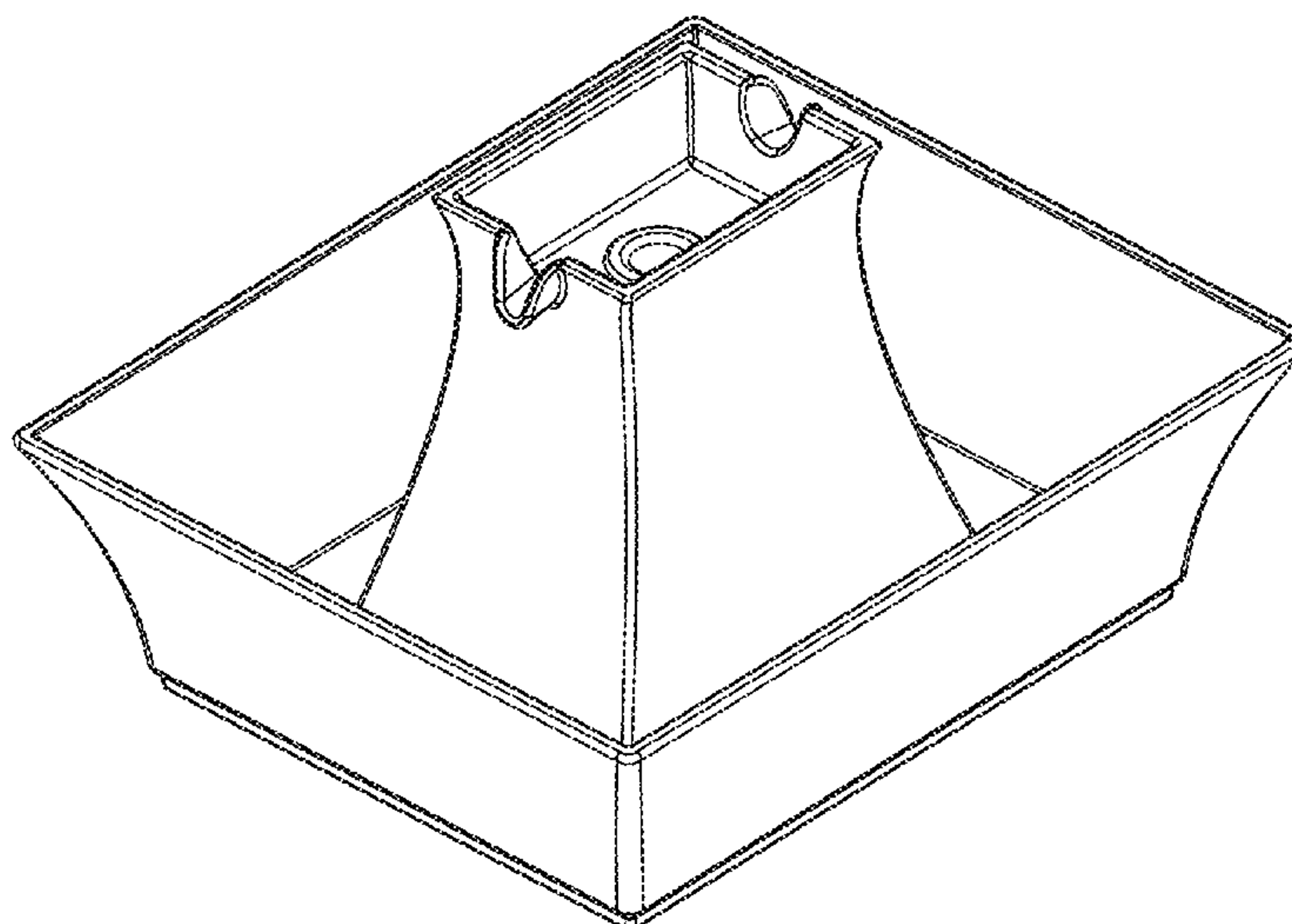
FIG. 5 is a left elevation view thereof;

FIG. 6 is a right elevation view thereof; and,

FIG. 7 is a top plan view thereof.

The underside of the fountain is unornamented. The appearance of the underside of the fountain is not claimed.

1 Claim, 5 Drawing Sheets



US D681,887 S

Page 2

U.S. PATENT DOCUMENTS

| | | | | | |
|-----------|------|---------|---------------------|-------|-----------|
| D335,940 | S * | 5/1993 | McGrath et al. | | D30/130 |
| 5,277,149 | A * | 1/1994 | East | | 119/51.5 |
| D347,143 | S * | 5/1994 | Awyong | | D7/354 |
| D348,418 | S * | 7/1994 | White-Wexler et al. | | D11/155 |
| D351,762 | S * | 10/1994 | Williams et al. | | D7/547 |
| D363,046 | S * | 10/1995 | Rimback | | D11/155 |
| 5,467,738 | A * | 11/1995 | Cass | | 119/61.53 |
| 5,619,952 | A * | 4/1997 | Walker | | 119/61.53 |
| 5,628,276 | A * | 5/1997 | Raposa | | 119/61.54 |
| 5,676,050 | A * | 10/1997 | Beck | | 99/428 |
| D389,011 | S * | 1/1998 | DeCoster | | D7/387 |
| 5,743,210 | A * | 4/1998 | Lampe | | 119/51.5 |
| D394,827 | S * | 6/1998 | Ruthenberg | | D11/155 |
| D402,425 | S * | 12/1998 | Lacz et al. | | D30/121 |
| D411,605 | S * | 6/1999 | Acosta | | D23/201 |
| D412,297 | S * | 7/1999 | Roach | | D11/152 |
| D418,008 | S * | 12/1999 | Rachel et al. | | D7/359 |
| D426,682 | S * | 6/2000 | Kreger et al. | | D30/121 |
| D430,642 | S * | 9/2000 | Fisher | | D23/201 |
| 6,119,585 | A * | 9/2000 | Guidry | | 99/345 |
| D435,630 | S * | 12/2000 | Sater et al. | | D23/201 |
| D437,628 | S * | 2/2001 | Sater et al. | | D23/201 |
| 6,192,792 | B1 * | 2/2001 | Gremillion | | 99/426 |
| 6,345,466 | B1 * | 2/2002 | Venanzi | | 47/66.1 |
| D455,979 | S * | 4/2002 | Salenger | | D11/155 |
| 6,553,943 | B1 * | 4/2003 | Murphy | | 119/673 |
| 6,557,460 | B2 * | 5/2003 | Hester | | 99/347 |
| D480,986 | S * | 10/2003 | Taylor | | D11/143 |
| D488,401 | S * | 4/2004 | Gutierrez | | D11/155 |
| D491,061 | S * | 6/2004 | Bouroullec et al. | | D11/155 |
| D507,755 | S * | 7/2005 | Reitze | | D9/737 |
| D527,951 | S * | 9/2006 | Roth et al. | | D7/540 |
| D532,715 | S * | 11/2006 | Schmidt | | D11/155 |
| D538,041 | S * | 3/2007 | Reitze | | D3/314 |
| D558,519 | S * | 1/2008 | Zemel | | D7/409 |
| D560,967 | S * | 2/2008 | Zemel | | D7/409 |
| 7,325,482 | B1 * | 2/2008 | Bourgeois et al. | | 99/340 |
| D564,286 | S * | 3/2008 | Zemel | | D7/354 |
| D571,688 | S * | 6/2008 | White | | D11/155 |
| D572,169 | S * | 7/2008 | De Roeck | | D11/155 |
| D572,415 | S * | 7/2008 | Dye, Jr. | | D30/123 |
| D612,290 | S * | 3/2010 | Donovan | | D11/155 |
| D624,787 | S * | 10/2010 | Adams et al. | | D7/409 |
| D627,257 | S * | 11/2010 | Blevins et al. | | D11/155 |
| D639,601 | S * | 6/2011 | Borovicka et al. | | D7/354 |
| 8,006,513 | B2 * | 8/2011 | Roth et al. | | 62/457.2 |
| D657,612 | S * | 4/2012 | Cloutier et al. | | D7/354 |
| D665,870 | S * | 8/2012 | Fang | | D23/201 |
| D671,355 | S * | 11/2012 | Zmrhal | | D7/360 |

* cited by examiner

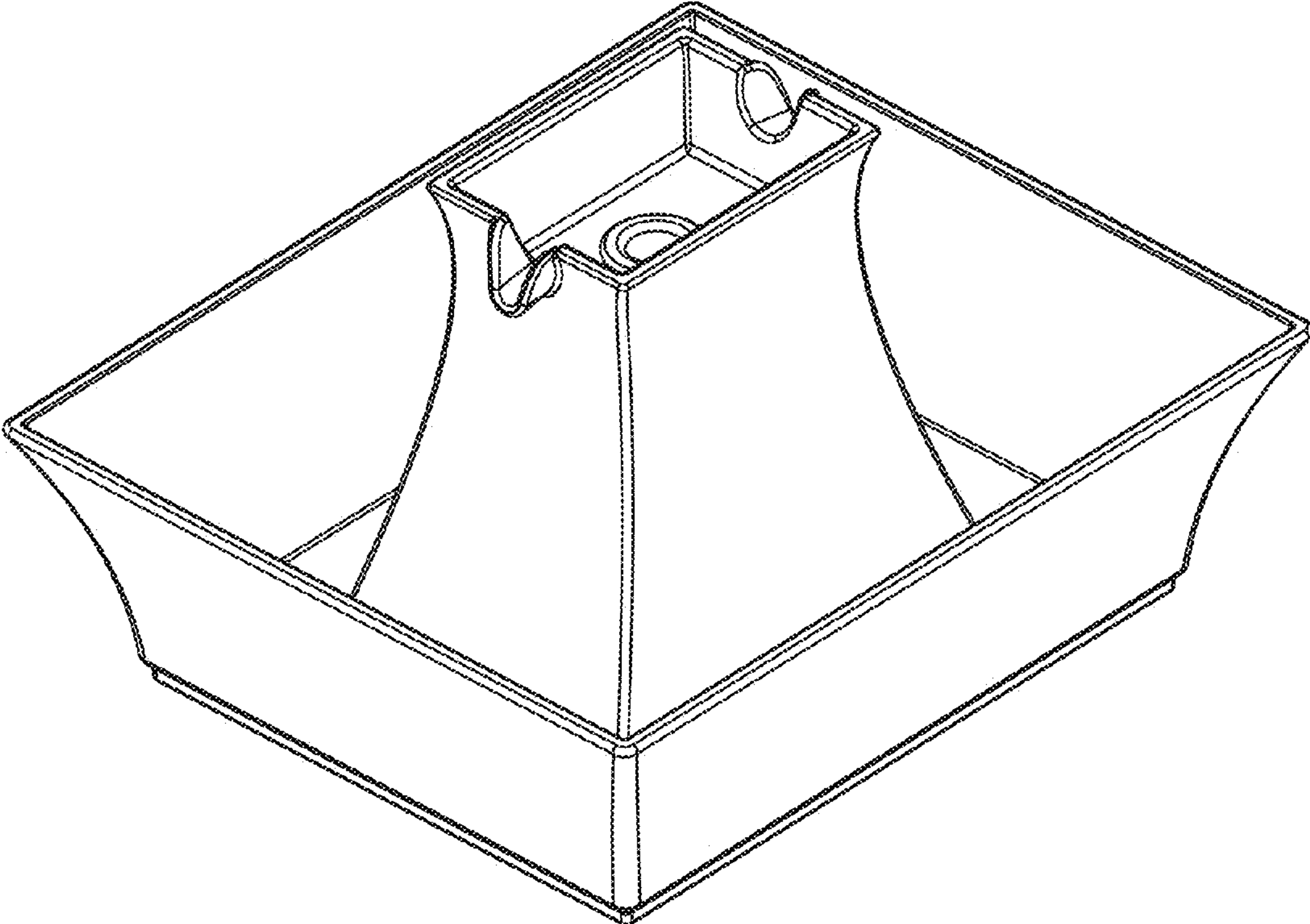


Fig.1

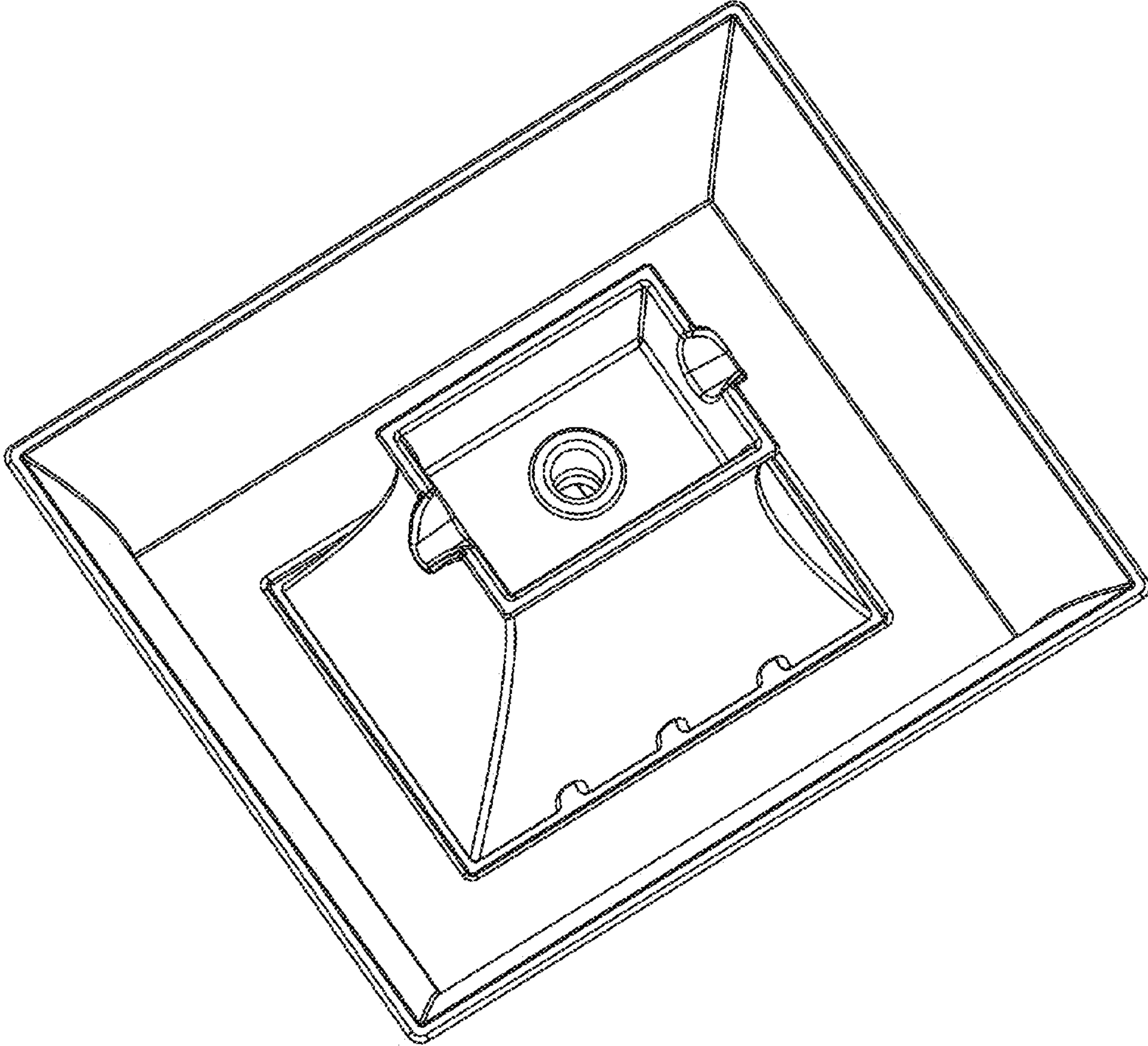


Fig.2

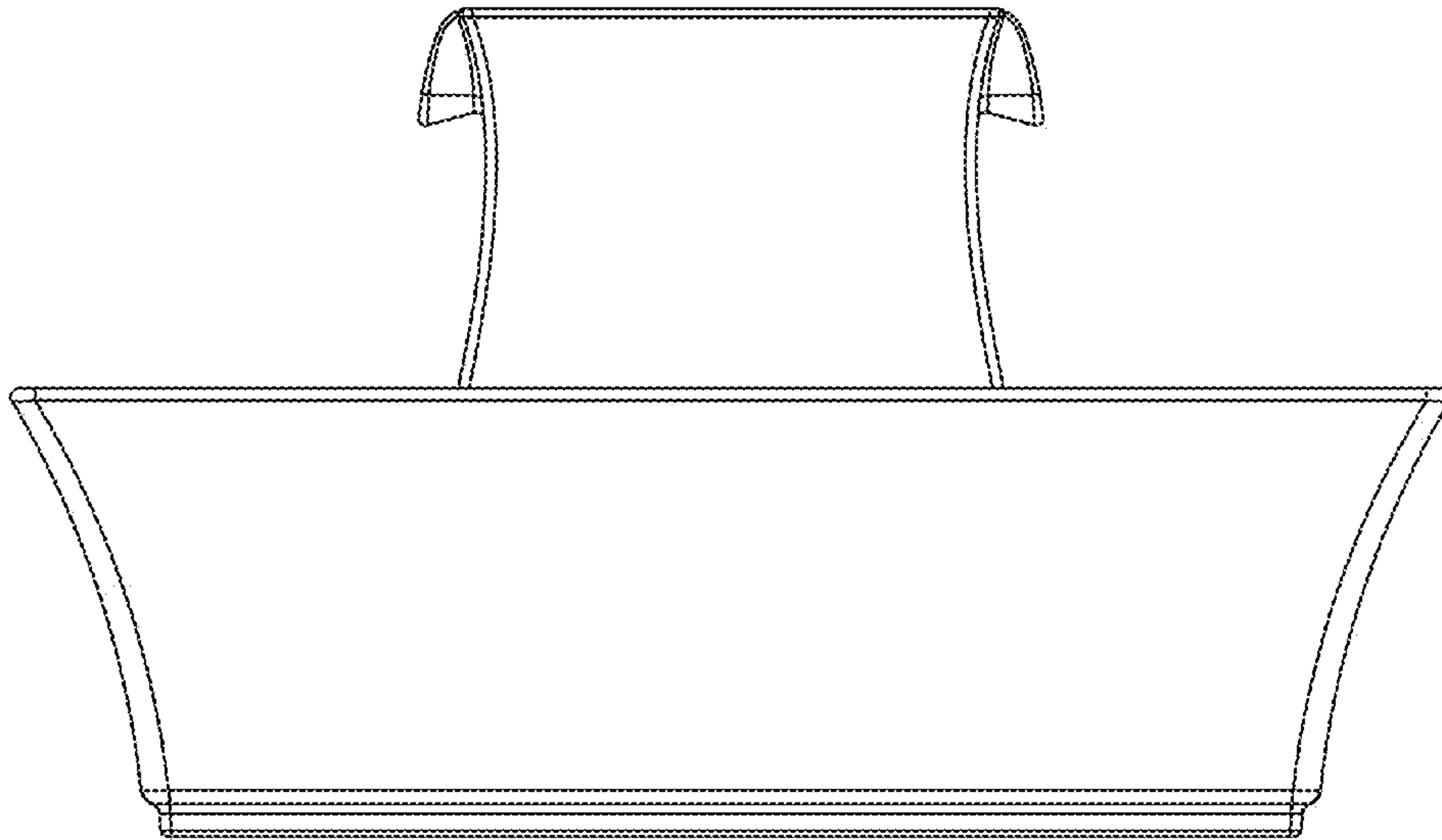


Fig.3

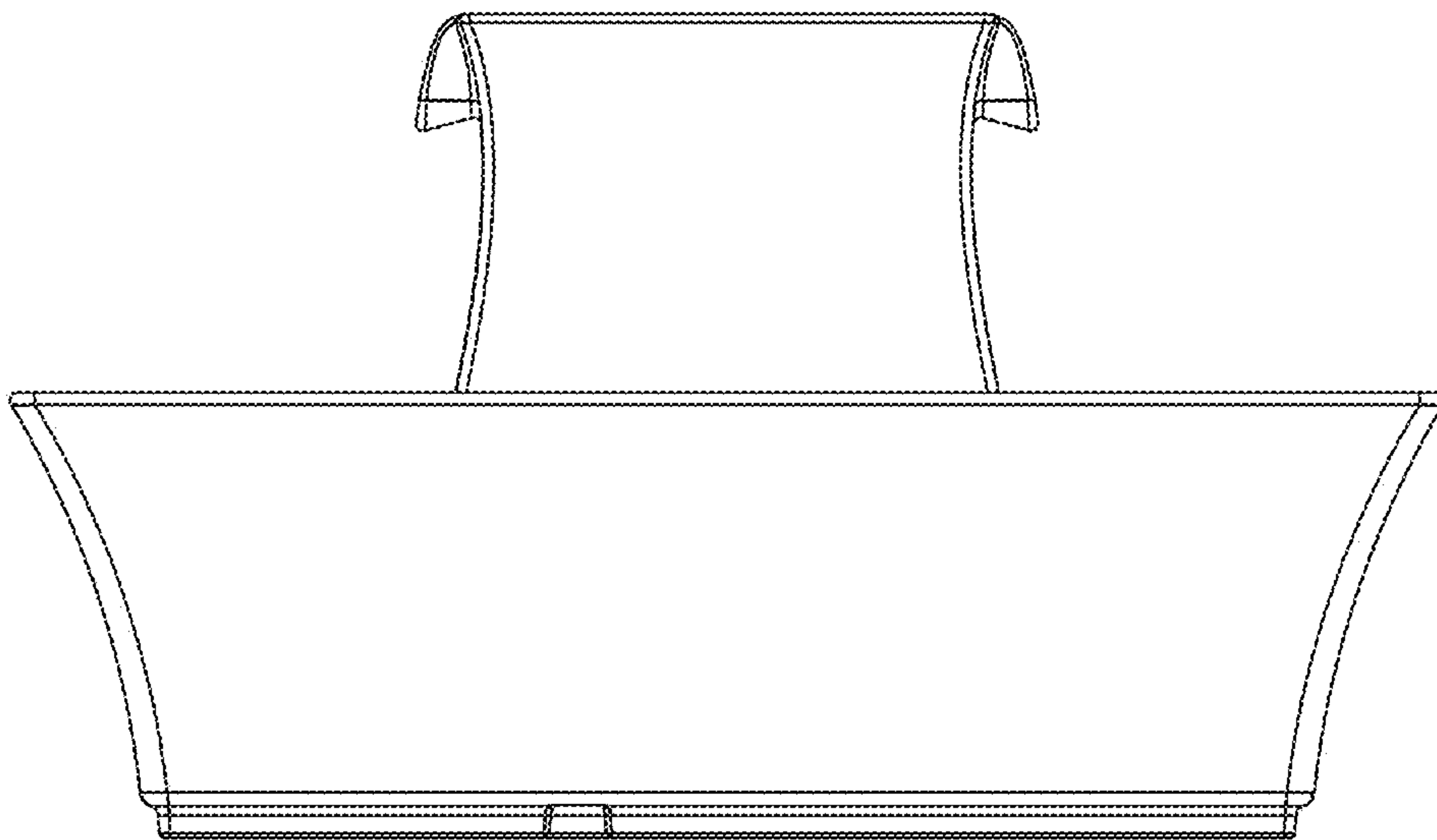


Fig.4

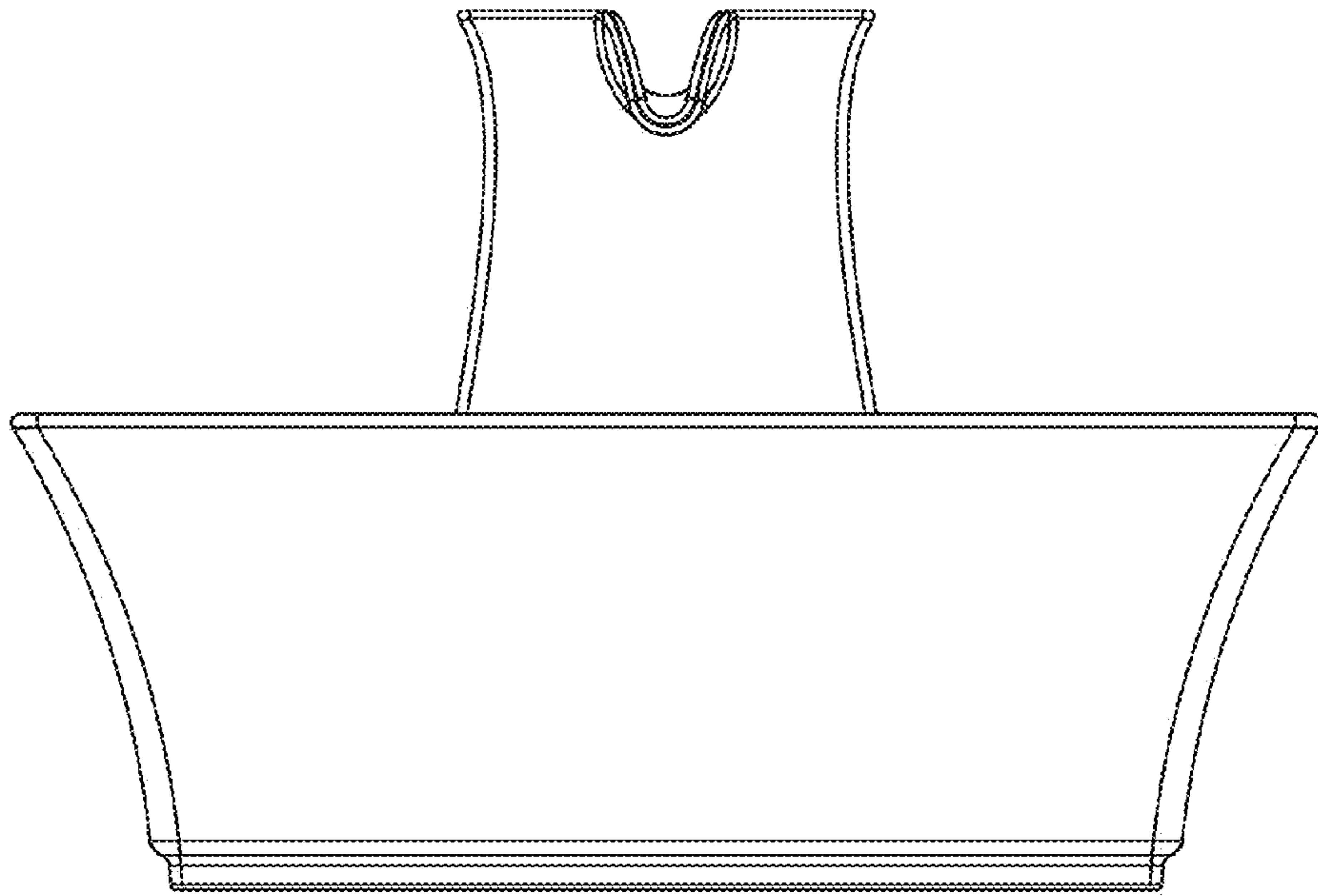


Fig.5

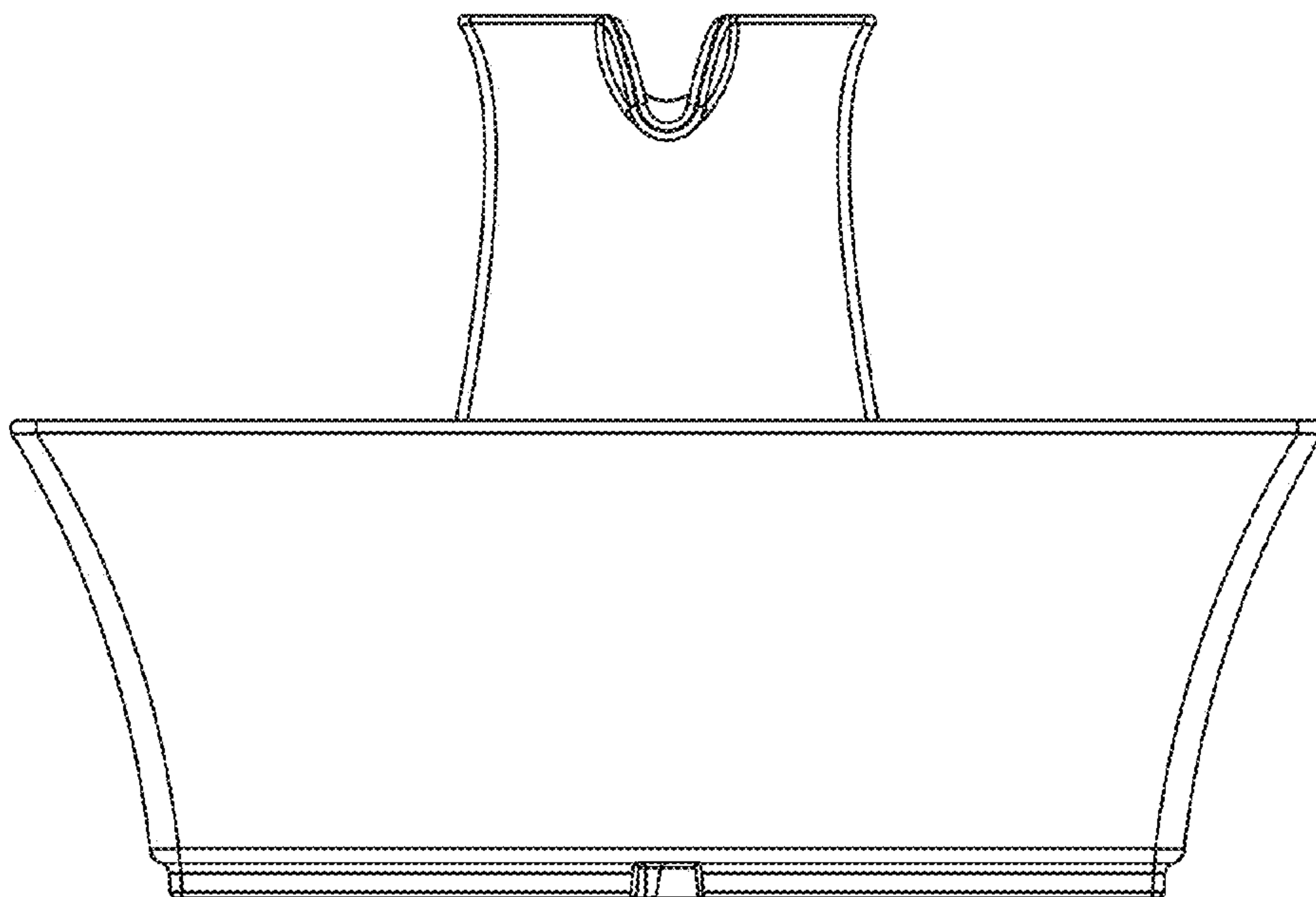


Fig.6

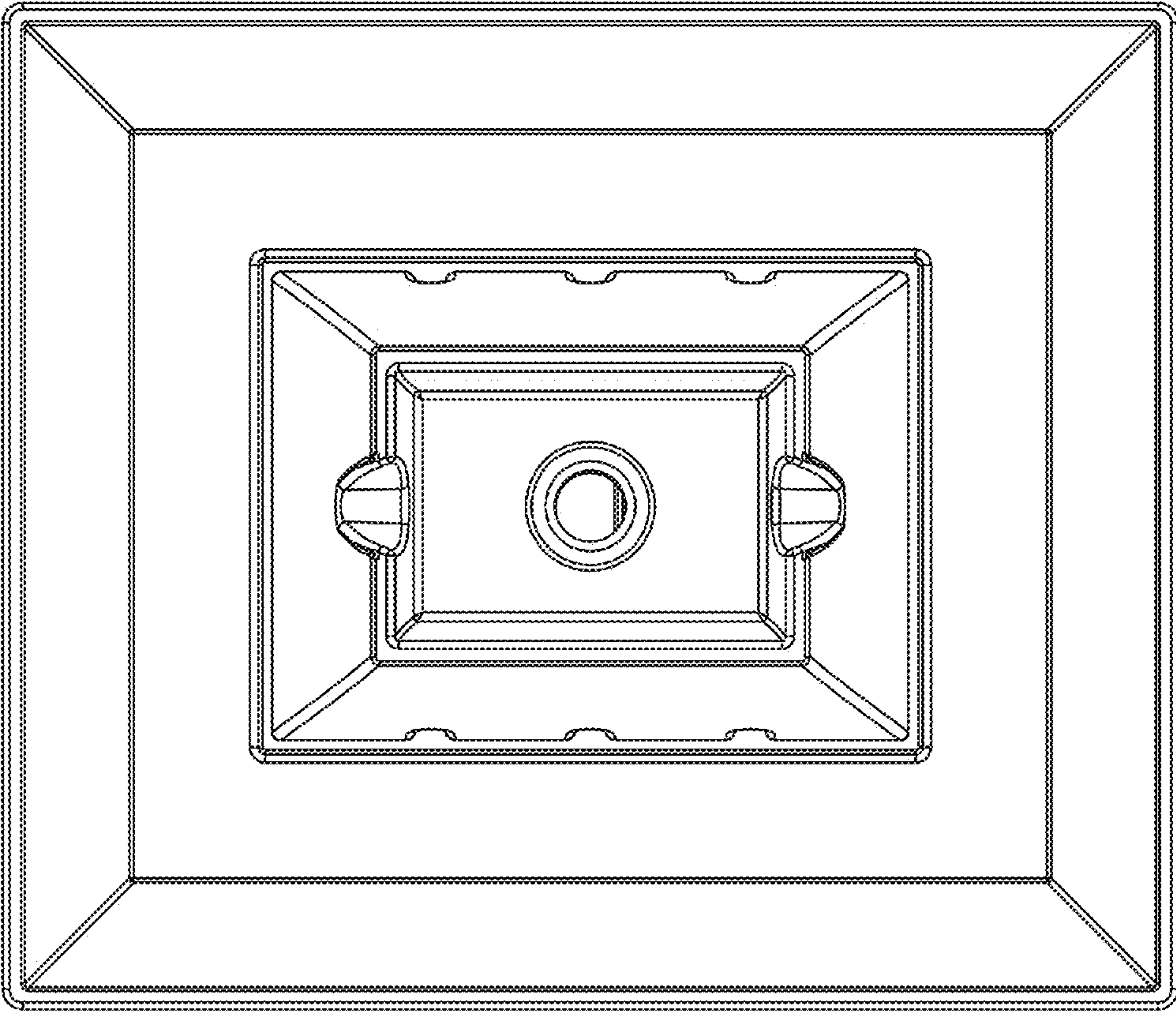


Fig.7