



US00D681885S

(12) **United States Design Patent**
Pitter

(10) **Patent No.:** **US D681,885 S**
(45) **Date of Patent:** **** May 7, 2013**

(54) **FEEDING DEVICE FOR ANIMALS**

(75) Inventor: **Dan Pitter**, Rotherwick (GB)

(73) Assignee: **Elite Dogstands Ltd.**, Harlow (GB)

(**) Term: **14 Years**

(21) Appl. No.: **29/383,604**

(22) Filed: **Jan. 20, 2011**

(30) **Foreign Application Priority Data**

Jul. 23, 2010 (EM) 001735606-0001

(51) **LOC (9) Cl.** **30-03**

(52) **U.S. Cl.**
USPC **D30/129; D30/130; D30/128; D30/133;**
D30/121

(58) **Field of Classification Search** D30/121,
D30/122, 129-133, 101; 119/61.5, 51.01,
119/61.56, 51.03, 59, 62, 63, 51.5, 57.8,
119/74, 61.54, 61.55, 53, 53.5, 75, 51.02,
119/52.3, 57.9, 77; 312/204; 248/151, 188;
108/156, 153.1-157; 220/23.87, 630, 737,
220/743, 9.4, 495.01, 574, 212, 255, 23.83;
206/515; D7/586, 543, 550.1, 587, 505,
D7/584, 545, 500, 553.1-553.8, 546, 555,
D7/556, 504, 565, 562, 602; D9/429, 425,
D9/603, 443, 414-424, 428, 430-434, 450,
D9/523-525, 715, 503; 43/109; D22/122;
99/430, DIG. 15; 49/30; 52/66, 64; 135/133,
135/906; D21/834; D27/106, 113, 114;
229/406, 123.1, 125.05, 125.35, 404, 123.2,
229/123.3, 125.13, 125.14; 426/104;
D3/203.1-203.4, 206, 294; D19/51, 84,
D19/85; D11/149-152; D24/121, 123

See application file for complete search history.

(56) **References Cited**

U.S. PATENT DOCUMENTS

1,733,567	A *	10/1929	White	362/269
2,014,022	A *	9/1935	Klein	601/6
D98,207	S *	1/1936	Ackerman	D27/135
D98,769	S *	3/1936	Horwitt	D10/15
D99,816	S *	5/1936	Madler	D27/127
D119,982	S *	4/1940	Munz	D11/145
D123,763	S *	12/1940	Rieland	D26/67
D136,524	S *	10/1943	Swainson	D9/418
2,361,029	A *	10/1944	Heinl	47/69
D161,292	S *	12/1950	Silver	D27/104
2,577,185	A *	12/1951	Easton	366/187
D175,210	S *	7/1955	Dreyfuss	D32/23
2,745,642	A *	5/1956	Hermann	366/130
D180,346	S *	5/1957	Weil	D30/122
2,908,101	A *	10/1959	Butler et al.	43/17.5
3,000,022	A *	9/1961	Cathey et al.	441/65
D195,536	S *	6/1963	Falco, Jr.	D11/145
D200,626	S *	3/1965	Barnes	D30/129

(Continued)

Primary Examiner — Susan Moon Lee

(74) *Attorney, Agent, or Firm* — Thomas|Horstemeyer, LLP

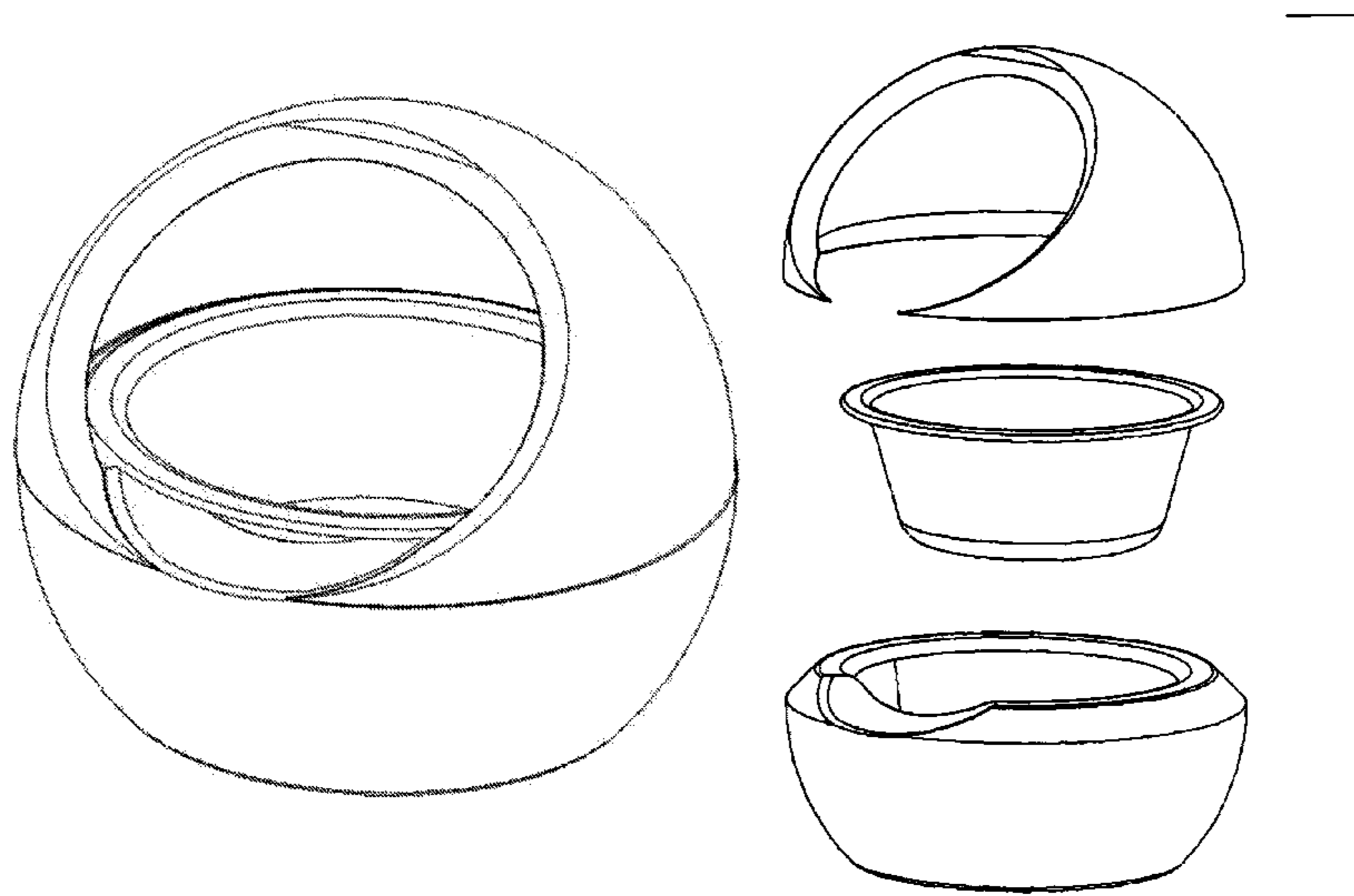
(57) **CLAIM**

The ornamental design for a feeding device for animals, as shown and described.

DESCRIPTION

FIG. 1 is a perspective view from above of my new feeding device for animals of FIG. 1;
FIG. 2 is a top plan view of my new feeding device for animals of FIG. 1;
FIG. 3 is an underneath view of my new feeding device for animals of FIG. 1;
FIG. 4 is a side view as seen from the right side of my new feeding device for animals of FIG. 1, the left side being a mirror image thereof;
FIG. 5 is a front view of my new feeding device for animals of FIG. 1; and,
FIG. 6 is an exploded perspective view of my feeding device for animals of FIG. 1.

1 Claim, 6 Drawing Sheets



US D681,885 S

Page 2

U.S. PATENT DOCUMENTS

D209,710	S	*	12/1967	Bruce	D14/133
D214,578	S	*	7/1969	Yutzey	D7/537
3,494,515	A	*	2/1970	Fattor	222/548
D218,132	S	*	7/1970	Bleger	D27/135
3,531,637	A	*	9/1970	Nathanson	362/186
D219,496	S	*	12/1970	Lebedeff	D28/85
D223,940	S	*	6/1972	Whitworth	D99/37
D224,233	S	*	7/1972	Fujita	D14/371
D224,792	S	*	9/1972	Knox, Jr.	D30/118
D226,921	S	*	5/1973	Cone et al.	D18/7
D227,701	S	*	7/1973	Fujita	D14/126
D231,401	S	*	4/1974	Fujita	D14/198
3,838,858	A	*	10/1974	Tummescheit	463/22
D234,808	S	*	4/1975	Ervin	D26/67
D236,012	S	*	7/1975	Crawford	D30/122
D240,883	S	*	8/1976	Press	D7/540
D243,648	S	*	3/1977	Conroy	D7/703
D245,866	S	*	9/1977	Schuldenfrei et al.	D25/10
D246,202	S	*	10/1977	Oppermann	D26/112
D254,127	S	*	2/1980	Sgroi	D11/153
D256,058	S	*	7/1980	Brooks	D27/105
D259,084	S	*	5/1981	Stahel, II	D6/309
D260,023	S	*	7/1981	Pagani et al.	D21/324
D268,444	S	*	3/1983	Young	D30/117
D276,626	S	*	12/1984	Lockwood	D20/2
4,592,936	A	*	6/1986	Ferguson	428/11
D287,772	S	*	1/1987	Stewart	D30/129
D288,736	S	*	3/1987	Cornrich	D30/122
D289,355	S	*	4/1987	Paulides	D7/523
D291,426	S	*	8/1987	Husbands	D11/145
D291,991	S	*	9/1987	Lee	D14/147
4,691,824	A	*	9/1987	Schindler	206/315.9
4,737,134	A	*	4/1988	Rumsey	446/409
D297,374	S	*	8/1988	Hilger	D27/135
4,760,774	A	*	8/1988	Lin	99/299
D298,371	S	*	11/1988	Reynolds	D30/161
D299,445	S	*	1/1989	Lee	D11/153
D300,278	S	*	3/1989	Morrell	D30/129
D304,913	S	*	12/1989	Cassells et al.	D11/145
4,890,838	A	*	1/1990	Rudell et al.	273/138.1
5,031,575	A	*	7/1991	Phillips	119/61.53
5,055,984	A	*	10/1991	Hung et al.	362/183
D322,489	S	*	12/1991	Parker	D26/104
D327,775	S	*	7/1992	Turner	D3/271.9
D328,177	S	*	7/1992	Turner	D99/34
D333,784	S	*	3/1993	Goodman	D3/302
D333,886	S	*	3/1993	Kennedy	D30/122
D335,003	S	*	4/1993	O'Connell	D30/108
D336,061	S	*	6/1993	Kraselsky et al.	D11/157
D340,554	S	*	10/1993	Wheeler	D30/129
D340,638	S	*	10/1993	Campbell	D8/374
D344,370	S	*	2/1994	Dryden et al.	D30/129
5,345,784	A	*	9/1994	Bazemore et al.	62/371
D354,441	S	*	1/1995	Fontanella	D9/504
D356,523	S	*	3/1995	Rahr	D11/152
5,445,375	A	*	8/1995	Sweeny	473/570
D362,089	S	*	9/1995	Moore et al.	D30/129
D370,317	S	*	5/1996	Kohus	D30/161
5,706,980	A	*	1/1998	Dickerson	222/129
5,825,537	A	*	10/1998	Ushiyama	359/408
D402,599	S	*	12/1998	Adelaar	D12/162
D407,995	S	*	4/1999	Gallegos	D11/164
D409,443	S	*	5/1999	Clark et al.	D7/515
D413,598	S	*	9/1999	Cheung	D14/501
D414,889	S	*	10/1999	Luedecke	D27/105
D415,853	S	*	10/1999	Swyst	D27/135
D415,929	S	*	11/1999	D'Arrigo	D7/515
D417,955	S	*	12/1999	Sletten	D3/257
D420,552	S	*	2/2000	Hansen	D7/606
D421,033	S	*	2/2000	Shirley et al.	D16/227
D421,035	S	*	2/2000	Shirley et al.	D16/227
D422,692	S	*	4/2000	Quinones	D23/367
D425,706	S	*	5/2000	Calderone	D4/116
D435,602	S	*	12/2000	Podd et al.	D21/329
D436,381	S	*	1/2001	Podd et al.	D21/329
D439,621	S	*	3/2001	Podd et al.	D21/329
D446,823	S	*	8/2001	Podd et al.	D21/329
D453,865	S	*	2/2002	Ross	D30/161
D463,887	S	*	10/2002	Walter et al.	D30/161
D465,733	S	*	11/2002	Hill	D9/519
D465,884	S	*	11/2002	Ross	D30/129
D468,044	S	*	12/2002	Lam	D26/72
D471,199	S	*	3/2003	Nybank	D14/403
D472,350	S	*	3/2003	Northrop et al.	D30/121
D478,813	S	*	8/2003	Beene	D9/519
D485,251	S	*	1/2004	Lee	D14/509
D491,321	S	*	6/2004	Wolf	D30/129
D491,322	S	*	6/2004	Wolf	D30/129
D495,564	S	*	9/2004	Bodum	D7/587
D496,501	S	*	9/2004	Walter et al.	D30/161
D500,998	S	*	1/2005	Inoue	D14/171
6,845,735	B1	*	1/2005	Northrop et al.	119/52.1
D504,979	S	*	5/2005	Lai	D28/76
D509,545	S	*	9/2005	Nash	D21/589
D514,093	S	*	1/2006	Borsboom	D14/216
D515,561	S	*	2/2006	Sung	D14/300
D520,672	S	*	5/2006	Tse	D27/133
D533,152	S	*	12/2006	Nakata	D14/126
7,166,047	B2	*	1/2007	May et al.	473/569
D537,753	S	*	3/2007	Belokin	D11/145
D541,994	S	*	5/2007	Dana et al.	D30/129
D543,244	S	*	5/2007	Tsuruha	D19/73
D545,296	S	*	6/2007	Yang	D14/500
D547,430	S	*	7/2007	Low	D23/364
D563,147	S	*	3/2008	Henry et al.	D7/334
D563,412	S	*	3/2008	Faurous	D14/408
D567,636	S	*	4/2008	Morris et al.	D8/358
7,367,283	B2	*	5/2008	Aboujaoude et al.	119/707
D573,026	S	*	7/2008	Tsai	D9/519
D573,132	S	*	7/2008	Yang	D14/207
D575,668	S	*	8/2008	Rashid et al.	D11/152
D575,965	S	*	9/2008	Weldon	D6/434
D577,458	S	*	9/2008	Chan et al.	D26/104
D578,002	S	*	10/2008	Canamasas Puigbo	D9/519
D583,109	S	*	12/2008	Lindsay	D30/122
D584,457	S	*	1/2009	Plante	D30/108
D586,255	S	*	2/2009	Rashid et al.	D11/152
D598,323	S	*	8/2009	Bradley et al.	D11/152
D604,887	S	*	11/2009	Sanoner	D26/105
D605,337	S	*	12/2009	Zhang et al.	D26/93
D607,140	S	*	12/2009	Farris et al.	D26/105
7,676,988	B2	*	3/2010	Bradley	47/62 R
D616,128	S	*	5/2010	Sanoner	D26/67
D619,421	S	*	7/2010	France et al.	D7/586
D624,454	S	*	9/2010	Kertz	D11/145
D625,042	S	*	10/2010	Lee	D26/96
D636,539	S	*	4/2011	Montoya	D30/129
D636,946	S	*	4/2011	Able	D30/129
D648,492	S	*	11/2011	Able	D30/129
D653,257	S	*	1/2012	Allo Allo et al.	D14/440
2002/0134313	A1	*	9/2002	King et al.	119/51.02
2006/0027176	A1	*	2/2006	McQuade et al.	119/61.5
2006/0236948	A1	*	10/2006	Wechsler	119/77

* cited by examiner

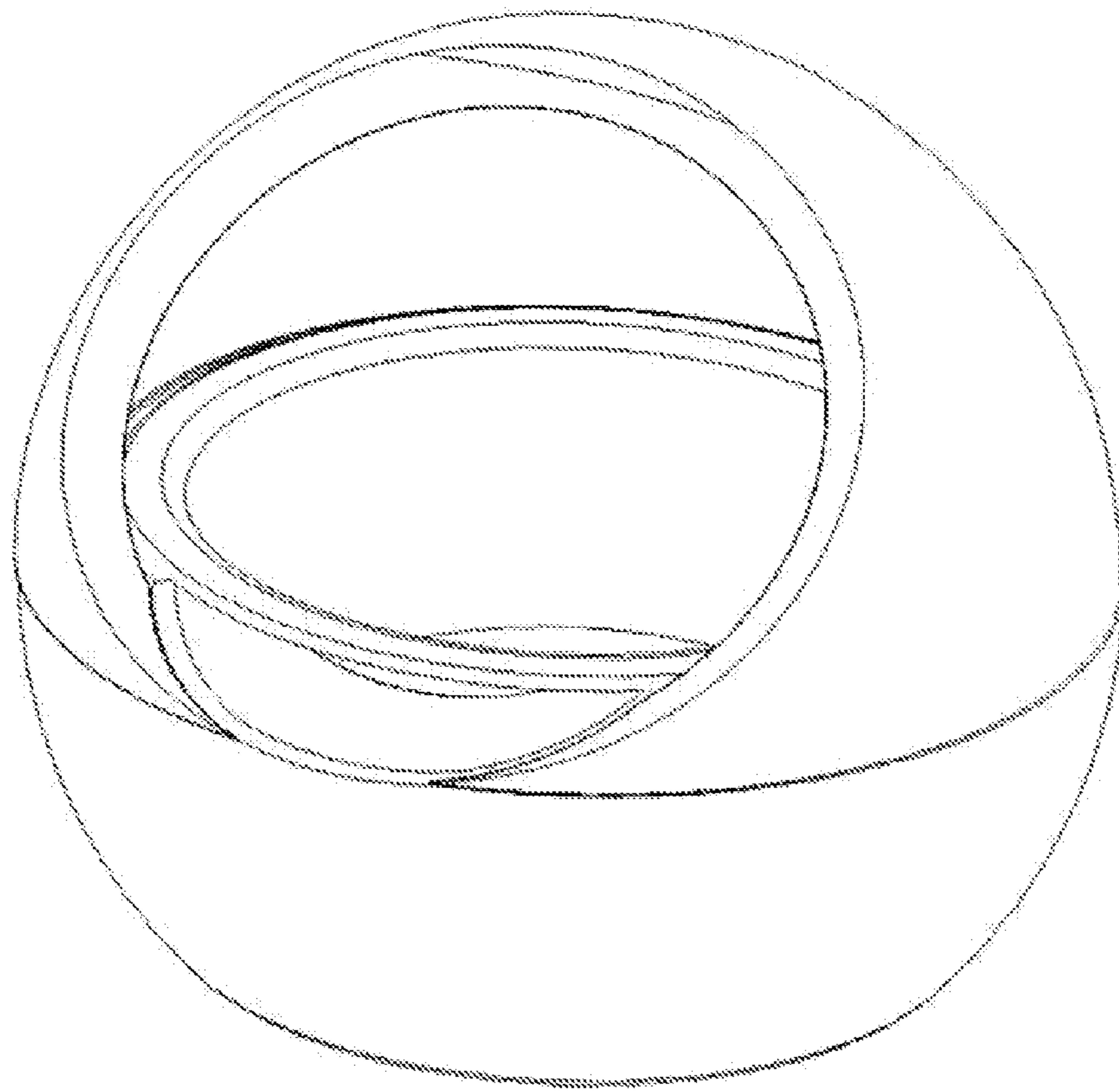


FIG. 1

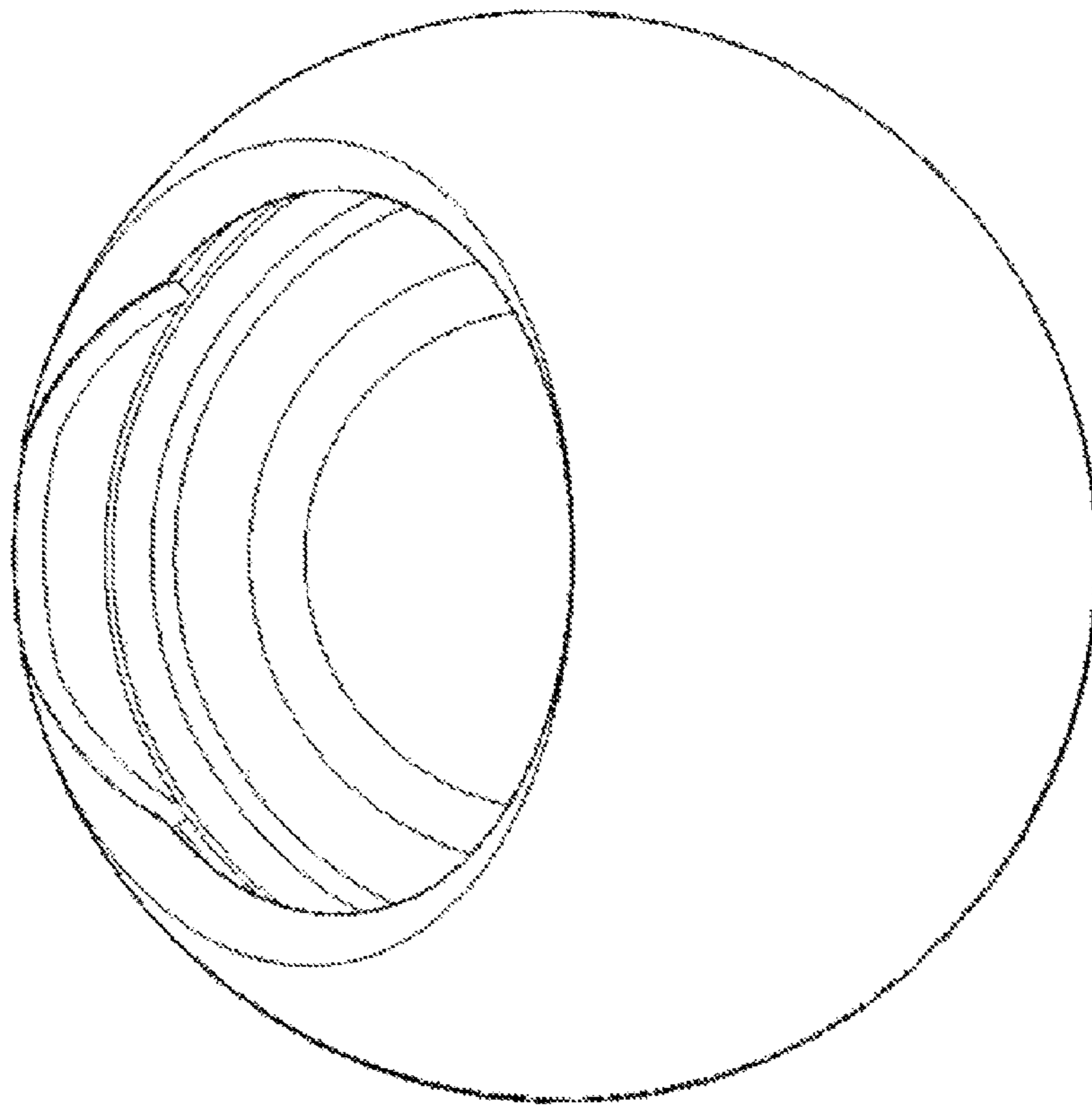


FIG. 2

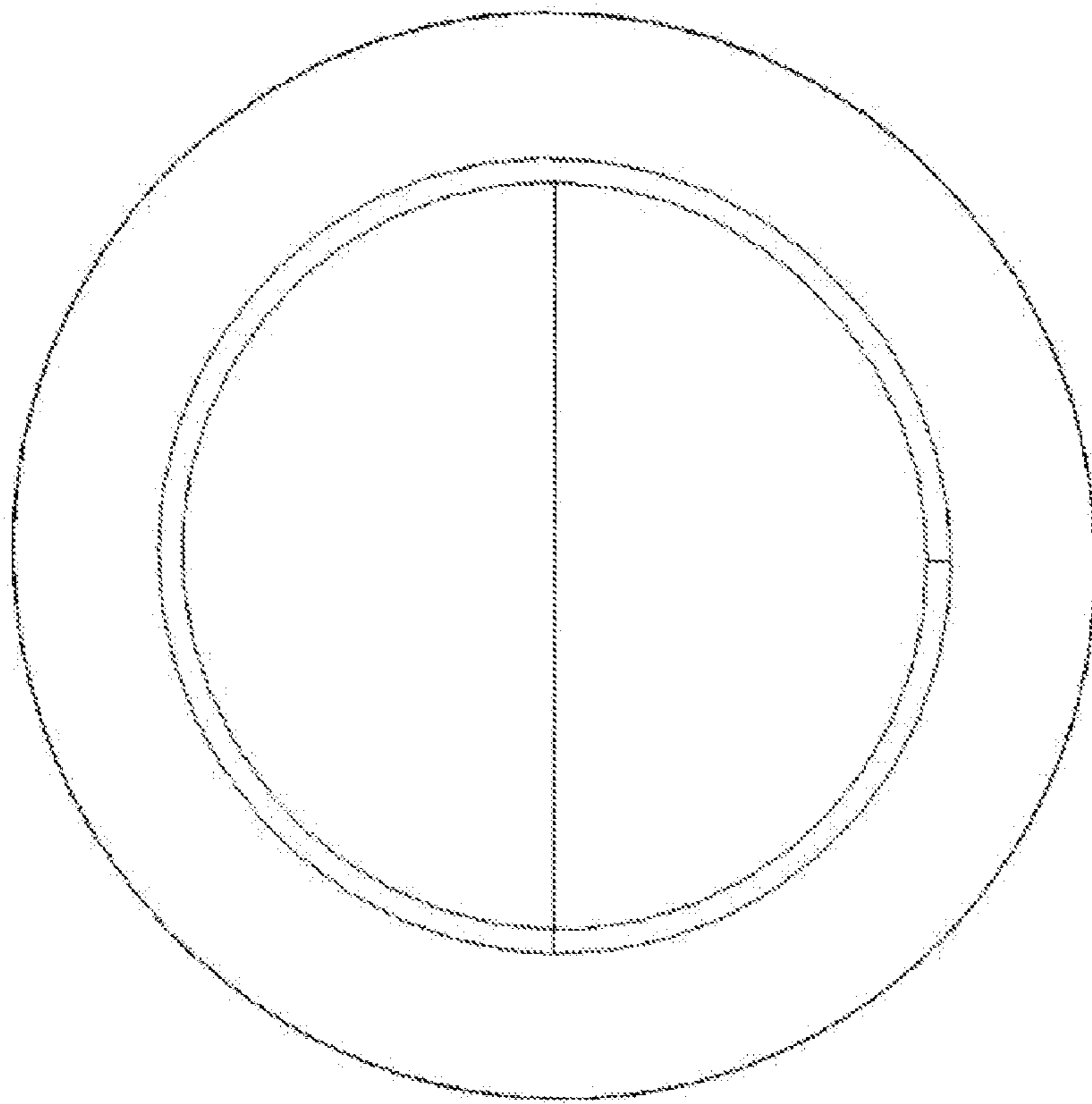


FIG. 3

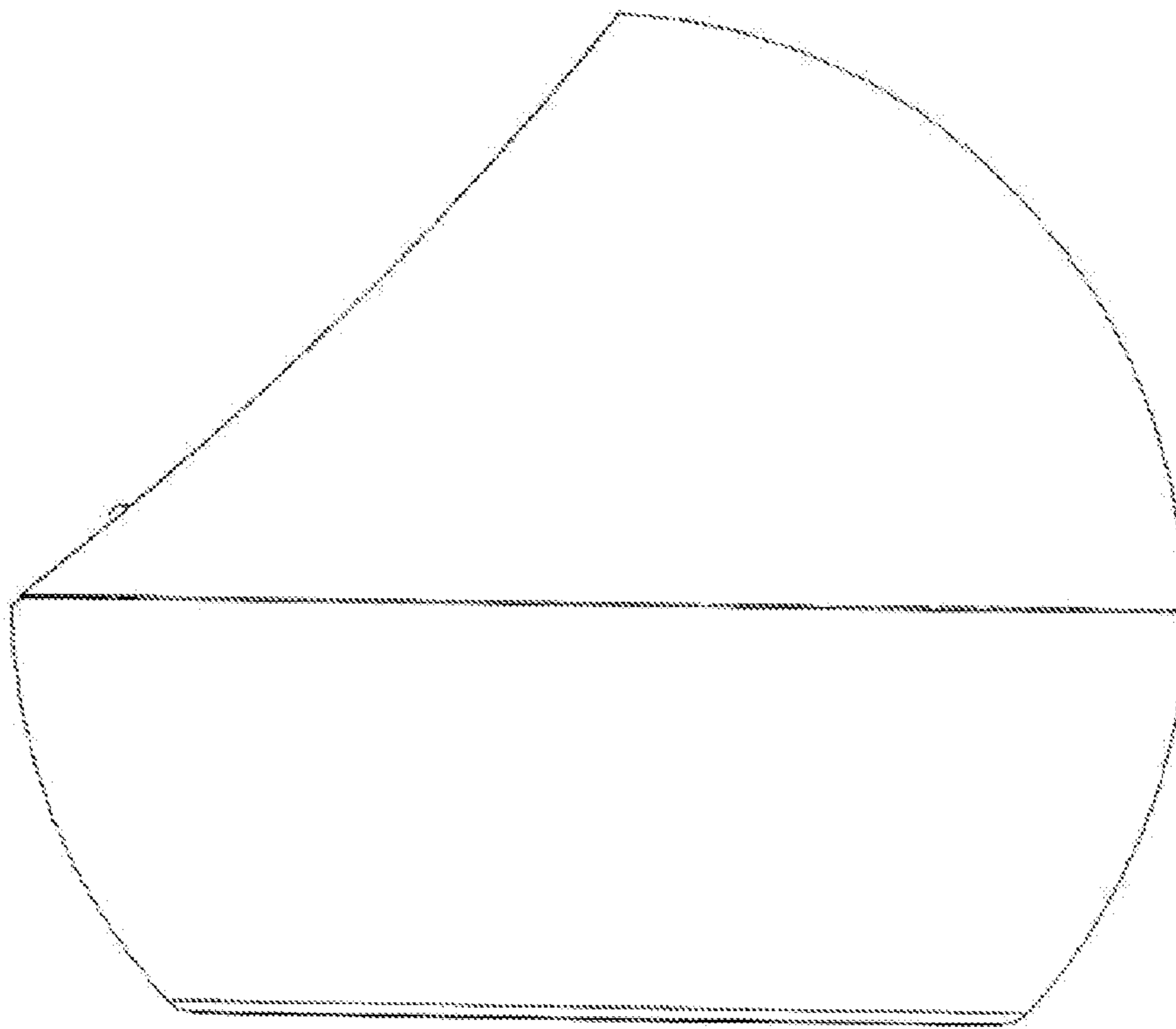


FIG. 4

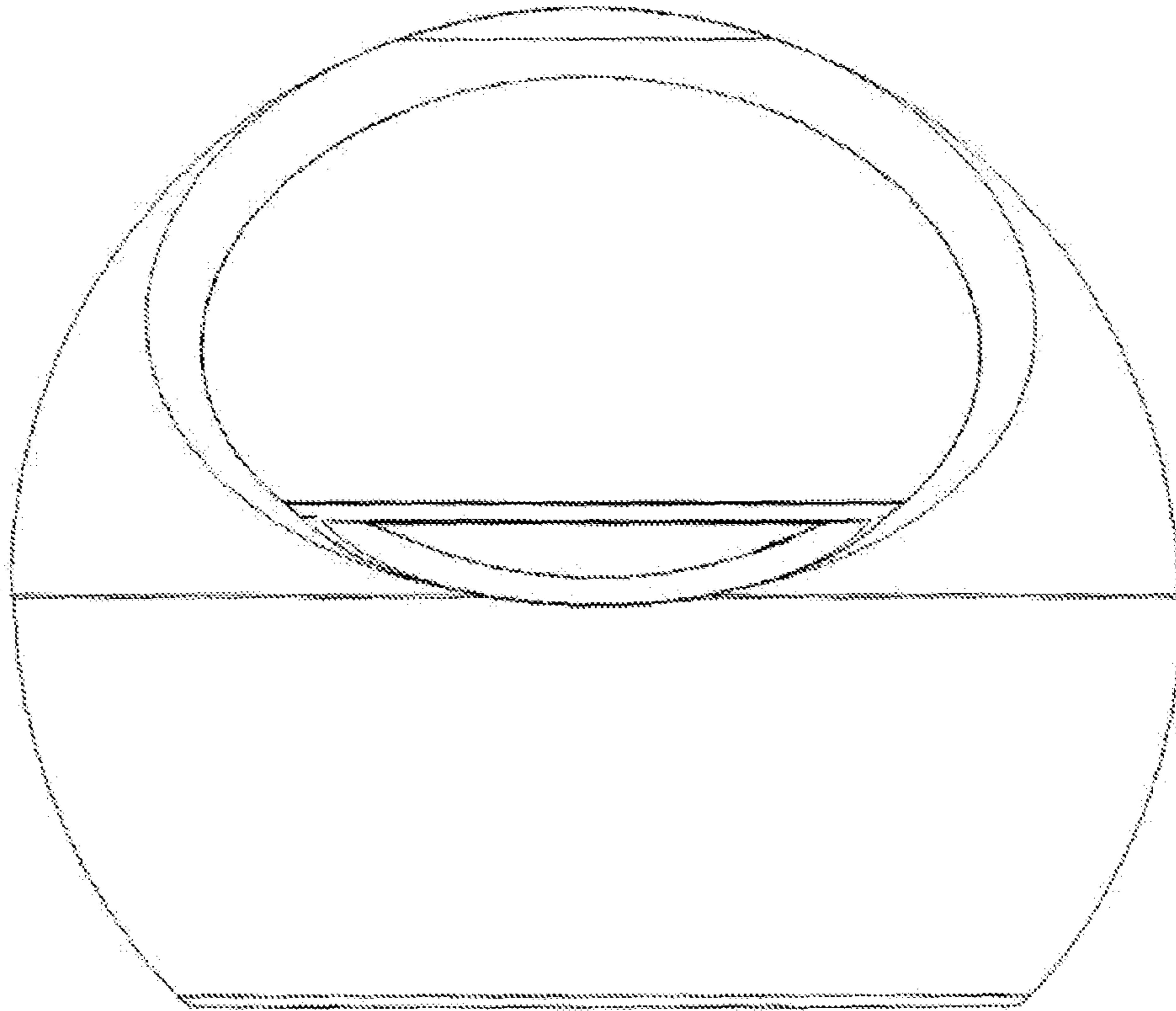


FIG. 5

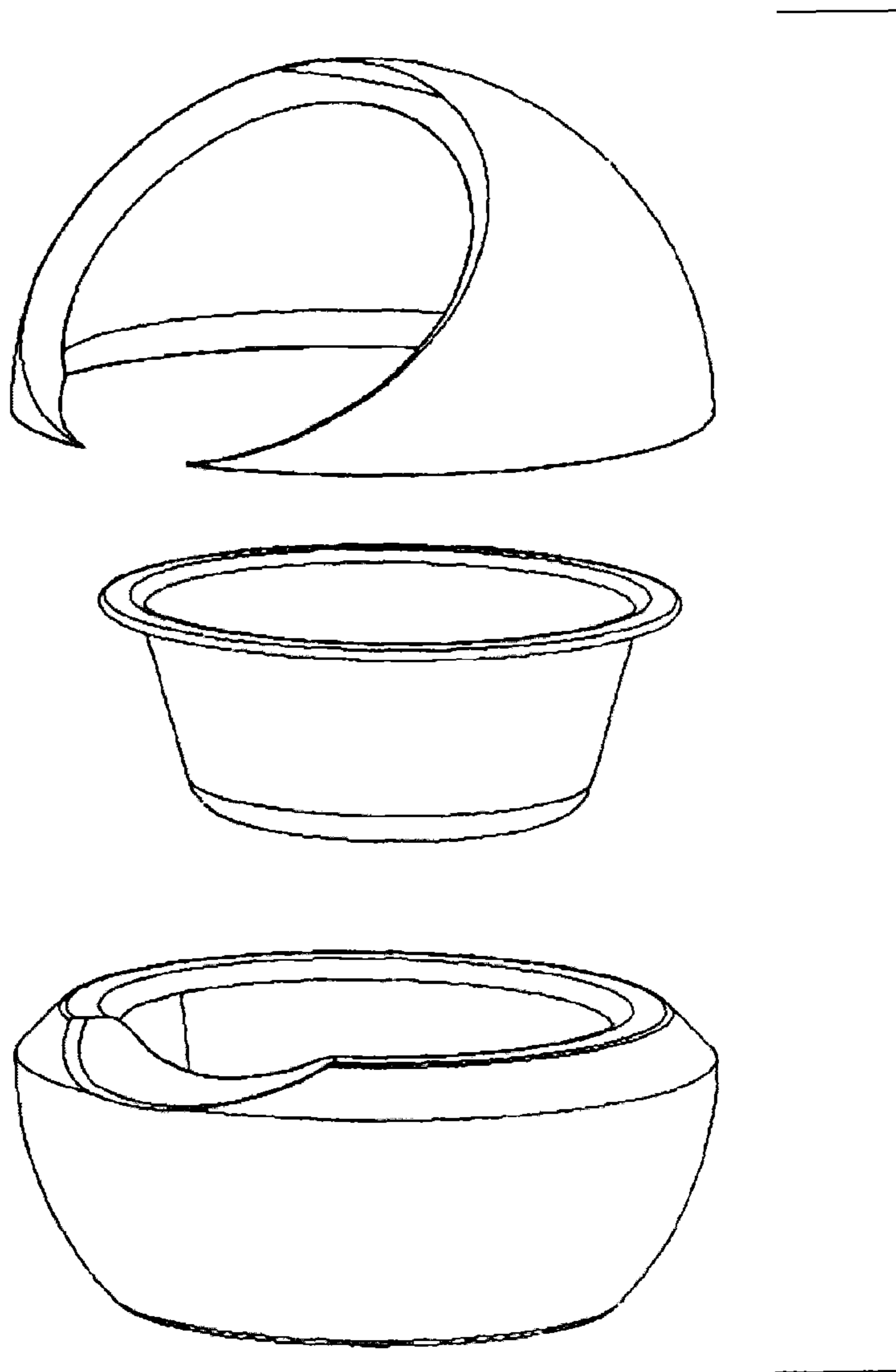


FIG. 6