



US00D681883S

(12) **United States Design Patent**  
**Meritt**

(10) **Patent No.:** **US D681,883 S**  
(45) **Date of Patent:** **\*\* May 7, 2013**

(54) **WILDLIFE FEEDER**

- (75) Inventor: **Rick Meritt**, Gilmer, TX (US)
- (73) Assignee: **Rick Meritt Investments, Ltd.**, Gilmer, TX (US)
- (\*\*) Term: **14 Years**
- (21) Appl. No.: **29/385,847**
- (22) Filed: **Feb. 21, 2011**

**Related U.S. Application Data**

- (63) Continuation-in-part of application No. 12/059,718, filed on Mar. 31, 2008, now Pat. No. 8,201,520, which is a continuation of application No. 11/160,611, filed on Jun. 30, 2005, now Pat. No. 7,370,605, which is a continuation-in-part of application No. 09/920,231, filed on Aug. 1, 2001, now Pat. No. 6,920,841.
- (51) **LOC (9) Cl.** ..... **30-03**
- (52) **U.S. Cl.**  
USPC ..... **D30/121**
- (58) **Field of Classification Search** ..... D30/133, D30/121, 122, 124, 127, 128, 132; 119/51.01, 119/61, 51.04, 53, 57.91, 54, 53.5, 52.4, 119/51.11, 63, 61.2, 52.1, 57.5, 57.6, 51.13, 119/62, 75, 500, 501; 239/7, 687, 379, 397.5; 222/199, 181.1, 181.2, 185.1, 557, 156, 485, 222/486, 548, 555; 220/200, 227, 247, 262; 221/174, 185.1, 289, 295, 296, 559; 454/35; 209/270, 283, 244; 52/194, 192; 49/279, 49/344, 357; D34/28

See application file for complete search history.

(56) **References Cited**

**U.S. PATENT DOCUMENTS**

- 347,416 A 8/1886 Buckingham
- 411,140 A 9/1889 Farrington et al.
- 423,712 A 3/1890 Arnold
- 485,142 A 10/1892 Stephens

(Continued)

**FOREIGN PATENT DOCUMENTS**

- GB 2129266 A 5/1984
- GB 2193782 A 2/1988

**OTHER PUBLICATIONS**

Advertisement (American Hunter Outdoor Products) (1 page), The Journal of the Texas Trophy Hunters Association, May/Jun. 2005, on reverse side of p. 155.

(Continued)

*Primary Examiner* — Susan Moon Lee

(74) *Attorney, Agent, or Firm* — Gardere Wynne Sewell, LLP

(57) **CLAIM**

The ornamental design for a wildlife feeder, as shown and described.

**DESCRIPTION**

FIG. 1 is a front perspective view of a wildlife feeder according to my new design;

FIG. 2 is a front elevation view of the wildlife feeder shown in FIG. 1;

FIG. 3 is a rear elevation view of the wildlife feeder shown in FIG. 1;

FIG. 4 is a right side elevation view of the wildlife feeder shown in FIG. 1;

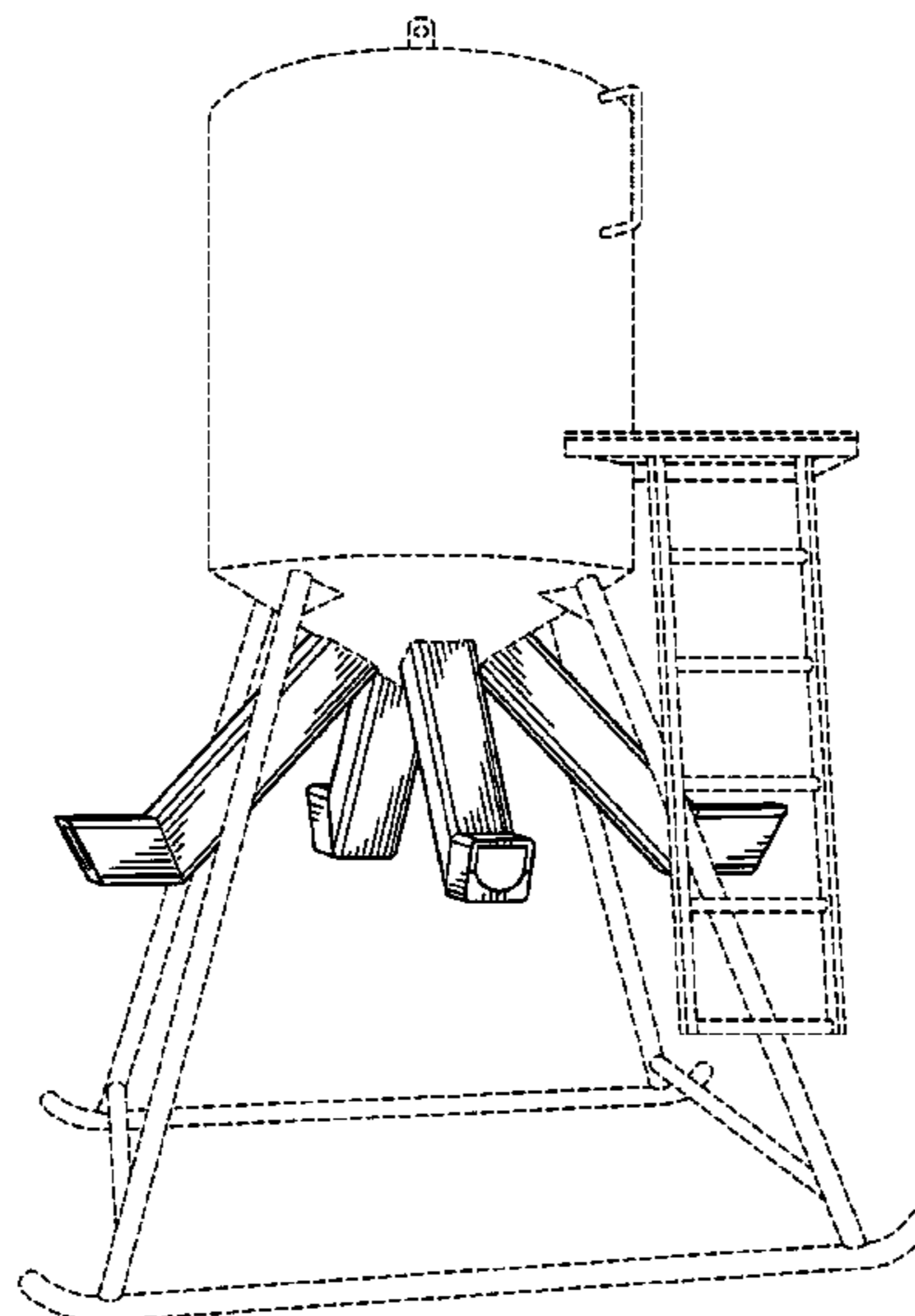
FIG. 5 is a left side elevation view of the wildlife feeder shown in FIG. 1;

FIG. 6 is a top plan view of the wildlife feeder shown in FIG. 1; and,

FIG. 7 is a bottom plan view of the wildlife feeder shown in FIG. 1.

Broken lines and portions contained within broken lines are not claimed.

**1 Claim, 7 Drawing Sheets**



# US D681,883 S

Page 2

U.S. PATENT DOCUMENTS					
587,803 A	8/1897	Ewer	D246,603 S	12/1977	Frost
D30,487 S	4/1899	Hanrahan	4,130,302 A	12/1978	Mitchell et al.
714,508 A	11/1902	Moser	4,163,474 A	8/1979	MacDonald et al.
1,214,881 A	2/1917	Bemtzen	D256,623 S	8/1980	Lockwood
1,232,447 A	7/1917	Horne	D258,012 S	1/1981	Murphy
1,237,016 A	8/1917	Brown	D258,013 S	1/1981	Murphy
1,239,404 A	9/1917	Knoll, Jr.	4,256,054 A	3/1981	Hitchcock
1,309,671 A	7/1919	Weaver	4,291,809 A	9/1981	Lyon
1,355,399 A	10/1920	Kelley	D262,144 S	12/1981	Sher
1,359,691 A	11/1920	Genuit	D262,408 S	12/1981	Whaling
1,561,299 A	11/1925	Banks	4,328,880 A	5/1982	Lapeyre
1,563,816 A	12/1925	Worthington	4,337,728 A	7/1982	Van Gilst et al.
D77,948 S	3/1929	Evans	4,358,205 A	11/1982	Eakins
1,781,581 A	11/1930	Hellyer	4,397,304 A	8/1983	Villain
D92,312 S	5/1934	Kanter	D271,090 S	10/1983	Edgar et al.
1,982,498 A	11/1934	Cornell, Jr.	D271,963 S	12/1983	Perkins
D97,588 S *	11/1935	Haggstrom ..... D13/110	D273,715 S	5/1984	Sher
2,025,973 A	12/1935	Cornell, Jr.	D275,228 S	8/1984	Nishigaki
2,121,558 A	6/1938	Coe et al.	4,508,303 A	4/1985	Beckerer, Jr.
2,136,956 A	11/1938	Schmitt	D279,717 S	7/1985	Mau et al.
2,191,724 A	2/1940	Newton	4,538,548 A	9/1985	Page
D130,381 S	11/1941	Roth	4,542,930 A	9/1985	Adams
2,454,721 A	11/1948	Severance et al.	4,576,350 A	3/1986	Bond
D152,655 S	2/1949	Rossell	4,580,528 A	4/1986	Kendall
2,464,278 A	3/1949	Wilson	4,582,023 A	4/1986	Zumbahlen et al.
2,480,034 A	8/1949	Lapp	4,601,414 A	7/1986	Lawson
D161,749 S	1/1951	Griner	4,608,046 A	8/1986	Towfigh
2,551,393 A	5/1951	Pinger	4,621,737 A	11/1986	Casey
D163,955 S	7/1951	McCartney	H176 H	12/1986	Johnstone, Jr.
2,583,203 A	1/1952	Bergeron	D288,608 S	3/1987	Dahlberg
2,619,252 A	11/1952	De Hoffmann	4,653,195 A	3/1987	Esparza
2,638,871 A	5/1953	Ruedemann	4,707,389 A	11/1987	Ward
2,654,346 A	10/1953	Goff	4,719,875 A	1/1988	Van Gilst
D171,639 S	3/1954	Clemens, Jr.	D295,091 S	4/1988	Swartzendruber
2,756,032 A	7/1956	Dowell	4,815,621 A	3/1989	Bartis
2,760,807 A	8/1956	Watson	4,859,423 A	8/1989	Perlman
2,761,597 A	9/1956	Stukey	D305,193 S	12/1989	Sajadieh
2,808,029 A	10/1957	Geerling	D305,804 S	1/1990	Browning et al.
2,881,947 A	4/1959	Hancock	4,925,620 A *	5/1990	Aiello et al. .... 376/260
2,886,002 A	5/1959	O'Malley et al.	4,956,821 A	9/1990	Fenelon
D187,929 S	5/1960	Rensch	4,971,366 A	11/1990	Towsley
2,988,047 A	6/1961	Hurdle	4,986,220 A	1/1991	Reneau et al.
3,007,618 A	11/1961	Davis et al.	4,997,284 A	3/1991	Tousignant et al.
3,034,480 A	5/1962	French	D319,759 S	9/1991	Bookout
D194,594 S	2/1963	Juculano	D319,794 S	9/1991	Elkins
3,104,778 A	9/1963	Leonard	5,046,765 A	9/1991	Usui
3,119,411 A	1/1964	Bock et al.	5,061,180 A	10/1991	Wiele
3,128,560 A	4/1964	McKenzie	5,069,164 A	12/1991	Wiwi
3,131,511 A *	5/1964	Deaner ..... 47/41.01	5,086,730 A	2/1992	Figley
3,318,473 A *	5/1967	Jones et al. .... 414/608	5,090,743 A	2/1992	Obering
3,348,879 A *	10/1967	Merola ..... 297/157.1	D326,741 S	6/1992	Powers
3,386,756 A	6/1968	Primm	5,130,496 A	7/1992	Jenkins
3,487,433 A	12/1969	Fleming	5,143,289 A	9/1992	Gresham et al.
3,515,098 A	6/1970	Thurmond	5,183,298 A	2/1993	Harrington
3,527,483 A	9/1970	Dashner	D333,841 S	3/1993	Henricksen
3,561,609 A *	2/1971	Doherty et al. .... 211/206	5,195,459 A	3/1993	Ancketill
3,613,641 A	10/1971	Geerlings	D336,554 S	6/1993	Reeder
3,636,983 A	1/1972	Keyser	5,218,784 A	6/1993	Pollock
3,655,011 A	4/1972	Willett	D340,516 S	10/1993	Too
3,658,211 A	4/1972	Kitchens	5,257,826 A	11/1993	Prassas et al.
D226,507 S	3/1973	Wright	5,273,454 A	12/1993	Shotey
3,720,235 A	3/1973	Schrock	5,275,131 A	1/1994	Brake et al.
3,730,142 A	5/1973	Kahrs et al.	5,333,572 A	8/1994	Nutt
3,780,701 A	12/1973	Wentworth, Sr.	5,339,996 A	8/1994	Dubbert et al.
3,820,826 A	6/1974	Ligon et al.	5,345,892 A	9/1994	Khan
D232,552 S	8/1974	Wtson	5,372,093 A	12/1994	Pooshs
3,856,315 A	12/1974	Stansbury	5,405,047 A	4/1995	Hansen
3,873,391 A	3/1975	Plauka et al.	5,410,986 A	5/1995	Washam
D237,001 S	9/1975	Von Serda	5,435,267 A	7/1995	Patterson
3,902,460 A	9/1975	Franklin	5,450,677 A	9/1995	Casey
3,924,881 A	12/1975	O'Connor	5,464,257 A	11/1995	Riddles et al.
3,976,314 A	8/1976	Graham	D367,093 S	2/1996	Weir
3,977,045 A	8/1976	Saurenman	D367,517 S	2/1996	Sabio et al.
D242,933 S	1/1977	Brubaker et al.	5,503,090 A	4/1996	Guzan
D243,559 S	3/1977	Hoyle et al.	D371,228 S	6/1996	Monin
D244,857 S	6/1977	Hayes	5,533,646 A	7/1996	Dildine
D245,048 S	7/1977	Pool	5,544,764 A	8/1996	Cima
D245,368 S	8/1977	Mueller	D373,659 S	9/1996	Miller
			D375,159 S	10/1996	Johansson

# US D681,883 S

5,570,547 A	11/1996	Webb et al.	D534,848 S *	1/2007	Murkett .....	D12/194
5,599,016 A	2/1997	Larkin	7,165,796 B1	1/2007	Hung	
D382,748 S	8/1997	Riskey	D539,715 S *	4/2007	Lai .....	D12/194
5,655,671 A	8/1997	Barry et al.	D540,231 S	4/2007	Braun et al.	
5,662,630 A	9/1997	Raynie	D540,812 S *	4/2007	Gusmorino et al. ....	D14/492
5,666,260 A	9/1997	Pasmanik et al.	7,204,201 B2	4/2007	Leombruno	
D386,137 S	11/1997	Bailey	D541,718 S *	5/2007	Emler .....	D12/194
5,699,753 A	12/1997	Aldridge, III	D542,533 S *	5/2007	Yang .....	D3/313
5,730,302 A	3/1998	Groene	D543,666 S *	5/2007	Ross et al. ....	D30/133
5,740,757 A	4/1998	Smeester	7,214,028 B2	5/2007	Boasso et al.	
D394,178 S	5/1998	Gremchuck	D545,742 S *	7/2007	Kinoshita .....	D12/194
5,753,158 A	5/1998	Orsing	D548,589 S *	8/2007	Blasko et al. ....	D9/428
D397,527 S	8/1998	Bruder et al.	D548,890 S *	8/2007	Chen .....	D27/135
5,794,561 A	8/1998	Schulz	D549,313 S *	8/2007	Kelnhofner .....	D23/360
D401,016 S	11/1998	Holliday	D550,697 S *	9/2007	Gusmorino et al. ....	D14/492
5,862,777 A	1/1999	Sweeney	D551,965 S *	10/2007	Blasko et al. ....	D9/503
5,876,282 A	3/1999	Kenny	D555,945 S *	11/2007	Pearsons et al. ....	D6/495
5,901,497 A	5/1999	Bulvin	D558,111 S *	12/2007	Banks, III .....	D12/194
5,901,886 A	5/1999	Grindstaff et al.	7,302,912 B2	12/2007	Boyer	
5,906,174 A	5/1999	Muldoon	7,311,223 B2	12/2007	Post	
5,934,222 A	8/1999	Hwang	D559,470 S	1/2008	Stevens et al.	
5,979,717 A	11/1999	Dalton et al.	D562,557 S	2/2008	Lewis	
D417,614 S	12/1999	Chu	D569,136 S *	5/2008	Pearsons et al. ....	D6/498
D420,316 S	2/2000	Hanlon et al.	D569,663 S *	5/2008	Pearsons et al. ....	D6/498
D421,650 S	3/2000	Liao	7,370,605 B2	5/2008	Meritt	
D421,821 S	3/2000	Kinjerski	D574,309 S	8/2008	Unfried et al.	
D423,436 S	4/2000	Larson	D574,932 S	8/2008	Zhuang	
D426,734 S	6/2000	Fuchs	D575,556 S	8/2008	Rohkar, Jr.	
6,073,587 A	6/2000	Hill et al.	D575,908 S	8/2008	Meritt	
6,082,300 A	7/2000	Futch	D579,392 S *	10/2008	Saracoglu .....	D12/194
6,142,100 A	11/2000	Marchioro	7,475,796 B2	1/2009	Garton	
D436,861 S	1/2001	Sagel et al.	D587,366 S	2/2009	Turkat	
6,199,509 B1	3/2001	Mostyn et al.	D588,166 S	3/2009	Lyons, III	
6,202,284 B1	3/2001	Joblin	7,497,400 B2	3/2009	Skinner	
D443,465 S *	6/2001	Kapellas et al. ....	D598,354 S	8/2009	Nakazawa et al.	
D445,062 S	7/2001	Wong	D598,602 S	8/2009	Laarman	
D445,170 S	7/2001	Speicher	D599,503 S	9/2009	Meritt	
6,283,159 B1	9/2001	Tada	D602,647 S *	10/2009	Polstein et al. ....	D29/122
D450,456 S	11/2001	Warren, III	D602,649 S	10/2009	Meritt	
6,328,184 B1	12/2001	Krol	D603,104 S	10/2009	Meritt	
6,329,602 B1	12/2001	Ushiyama et al.	D603,105 S	10/2009	Meritt	
6,364,125 B1	4/2002	D'Angelo	D603,566 S	11/2009	Meritt	
D458,201 S	6/2002	Warren	D604,017 S	11/2009	Meritt	
D460,726 S	7/2002	Campbell et al.	7,686,346 B1	3/2010	Buccicone et al.	
6,435,134 B1	8/2002	Ho	7,735,454 B1	6/2010	Stoppelberg	
6,439,158 B1	8/2002	Blohm	D622,453 S	8/2010	Meritt	
D464,875 S	10/2002	Koppang	D624,706 S	9/2010	Meritt	
D466,809 S	12/2002	Sagel	D624,707 S	9/2010	Meritt	
6,488,511 B1	12/2002	Stewart	D624,708 S	9/2010	Meritt	
6,510,813 B1	1/2003	Boone, Jr.	D624,709 S	9/2010	Meritt	
D469,926 S	2/2003	Petrucelli	D629,009 S	12/2010	O'Donnell et al.	
D476,451 S	6/2003	Morgan, Sr.	D629,572 S	12/2010	Meritt	
6,591,990 B2	7/2003	Lanman et al.	D629,975 S	12/2010	Meritt	
6,622,653 B1	9/2003	Starnes, Jr.	D629,976 S	12/2010	Meritt	
6,637,595 B1	10/2003	Frossard et al.	D636,942 S *	4/2011	Meritt .....	D30/121
6,659,040 B1	12/2003	Decker	D647,253 S	10/2011	Meritt	
D486,946 S	2/2004	Castro	D671,563 S *	11/2012	Moretto .....	D15/28
D487,170 S	2/2004	Petrucelli	D671,564 S *	11/2012	Moretto .....	D15/28
6,691,640 B1	2/2004	Huckabee	2001/0035473 A1	11/2001	Patton	
D488,114 S	4/2004	Kulla	2002/0026901 A1 *	3/2002	Burnham .....	119/57.91
D488,889 S	4/2004	Walsh	2002/0134850 A1	9/2002	Hollenberg	
D490,352 S	5/2004	Ward	2003/0005887 A1	1/2003	Graham	
6,763,781 B1	7/2004	Norrell	2005/0224126 A1	10/2005	Otani et al.	
D494,384 S	8/2004	Chandaria	2005/0229860 A1	10/2005	Meritt	
D495,186 S	8/2004	Poupel et al.	2005/0269367 A1	12/2005	Post	
6,786,180 B1	9/2004	Cheng	2006/0048712 A1	3/2006	Boyer	
D499,905 S *	12/2004	Grosfillex .....	2006/0060148 A1	3/2006	Boyer	
D504,309 S	4/2005	Fuchs	2006/0283396 A1	12/2006	Hernandez	
D505,812 S *	6/2005	McBrayer et al. ....	2007/0028844 A1	2/2007	Bodenstab et al.	
D505,813 S *	6/2005	McBrayer et al. ....	2008/0178815 A1	7/2008	Meritt	
6,904,690 B2	6/2005	Bakke et al.	2008/0178816 A1	7/2008	Meritt	
6,920,841 B2	7/2005	Meritt	2008/0210817 A1 *	9/2008	Gregg et al. ....	244/119
6,959,664 B1	11/2005	Keuter et al.	2010/0107983 A1 *	5/2010	Gates .....	119/53
D520,423 S *	5/2006	Poole .....				
7,059,355 B2	6/2006	Otani et al.				
D525,657 S *	7/2006	Warren, III .....				D19/77
D528,488 S *	9/2006	Webb .....				D12/194
7,143,721 B2	12/2006	Robbins				
D534,469 S *	1/2007	Murkett .....				D12/194

## OTHER PUBLICATIONS

Advertisement (Atascosa Wildlife Supply) (2 pages); The Journal of the Texas Trophy Hunters Association, May/June 2005 (reverse sides of pp. 23 and 26).

Advertisement (Mumme's Inc.) (1 page), Texas Deer Association Tracks, vol. 6, Issue 3 (May/Jun. 2005), p. 51.

Advertisement (Mumme's Inc.) (1 page), The Journal of the Texas Trophy Hunters Association, Jan./Feb. 2005, on reverse side of p. 74.

Advertisement (Sweeney Automated Feeding Systems) (2 pages, front and back) (date referenced Jan. 1-Feb. 28, 2005).

Advertisement (Texas Wildlife Supply) (1 page), The Journal of the Texas Trophy Hunters Association, May/Jun. 2005 (reverse side of p. 174).

Advertisement (Rick Meritt; Outback Wildlife Feeders); The Journal of the Texas Trophy Hunters, Sep./Oct. 2007, vol. 32, No. 5 (3pp).

Advertisement (Rick Meritt; Outback Wildlife Feeders); The Journal of the Texas Trophy Hunters, Jul./Aug. 2006, vol. 31, No. 4 (3pp).

Advertisement (Rick Meritt; Outback Wildlife Feeders); The Journal of the Texas Trophy Hunters, Sep./Oct. 2005, vol. 30, No. 5 (3pp).

Advertisement (Rick Meritt; Outback Wildlife Feeders); The Journal of the Texas Trophy Hunters, Sep./Oct. 2001, vol. 26, No. 5 (2pp).

Advertisement (Rick Meritt; Outback Wildlife Feeders); The Journal of the Texas Trophy Hunters, Sep./Oct. 2002, vol. 27, No. 5 (2pp).

Advertisement (Rick Meritt; Outback Wildlife Feeders); The Journal of the Texas Trophy Hunters, Sep./Oct. 2003, vol. 28, No. 5 (2pp).

Advertisement (Rick Meritt; Outback Wildlife Feeders); The Journal of the Texas Trophy Hunters, Sep./Oct. 2004, vol. 29, No. 5 (2pp).

"Fair Special, 2000# Capacity Gravity Flow Protein Feeder," and Photo, Sycamore Springs Ranch, Approximately Oct. 2005.

Internet web site (American Hunter Outdoor Products) (15 pages); <http://www.americanhunterfeeders.com> (Feb. 24, 2005).

Internet web site (Atascosa Wildlife Supply) (2 pages); <http://www.atascosawildlifesupply.com/feeders.html> (Mar. 8, 2005).

Internet web site (Boss Game Systems) (3 pages); <http://www.bossgamesystems.com> (Oct. 6, 2005).

Internet web site (Mumme's Inc.) (1 page); <http://www.mummesinc.com> (Feb. 24, 2005).

"Introduction to Welding," Materials Engineering Group.; Copyright 1997 Materials Engineering (UK) Ltd.; <http://www.meg.co.uk/meg/app01.htm>.

"Welding," Microsoft Encarta Online Encyclopedia 2002; <http://encarta.msn.com> (1997-2002) Microsoft Corporation.

\* cited by examiner

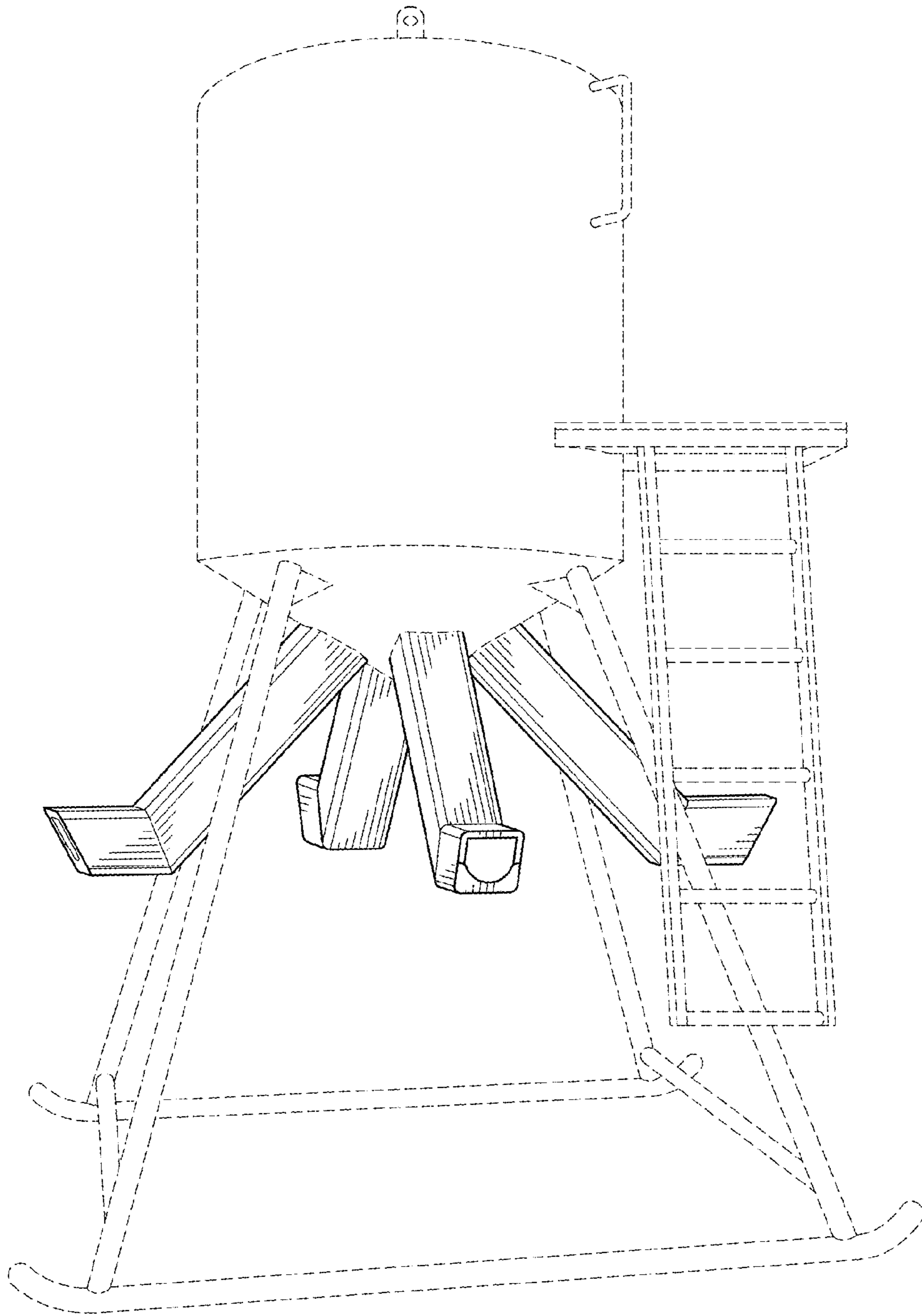


FIG. 1

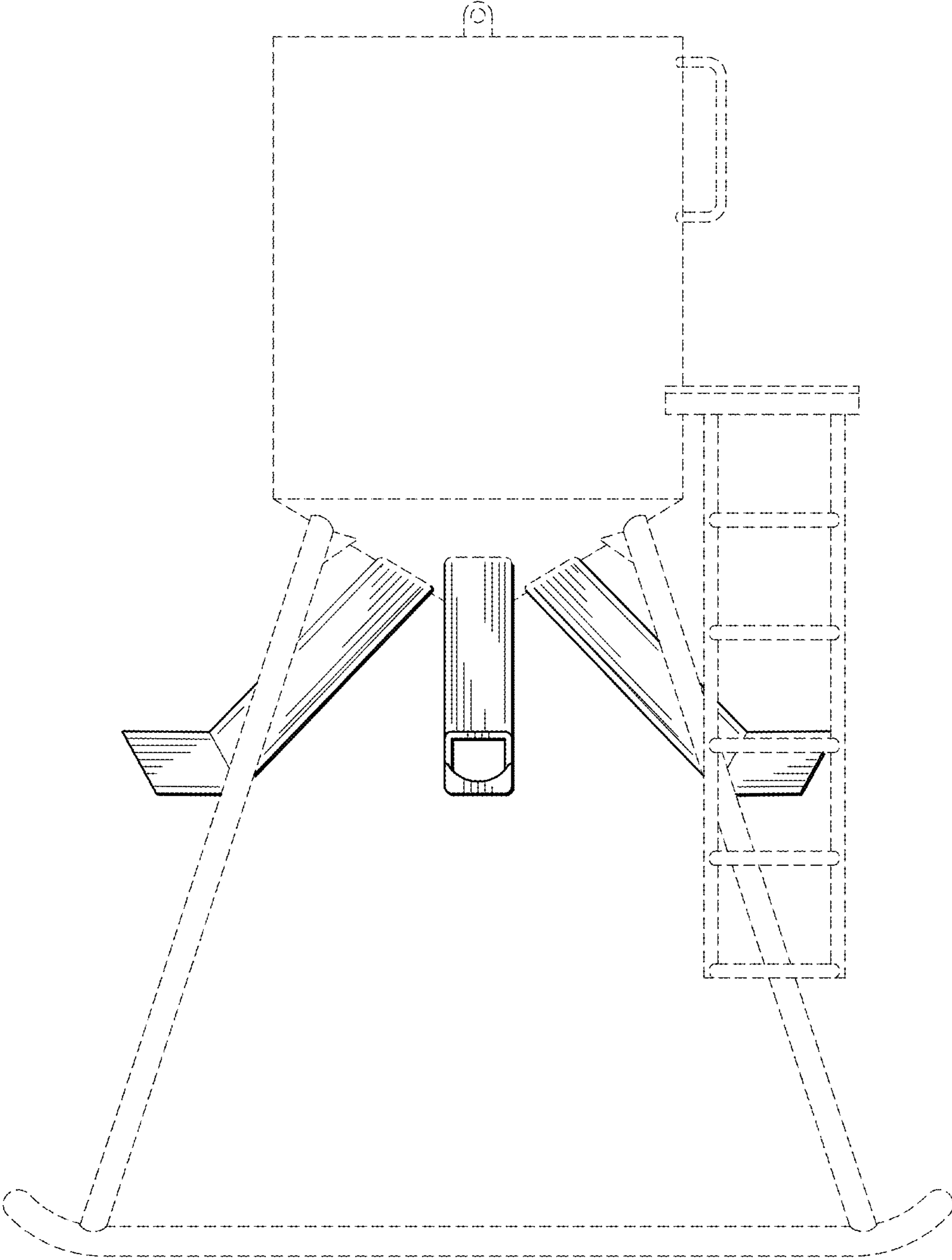


FIG. 2

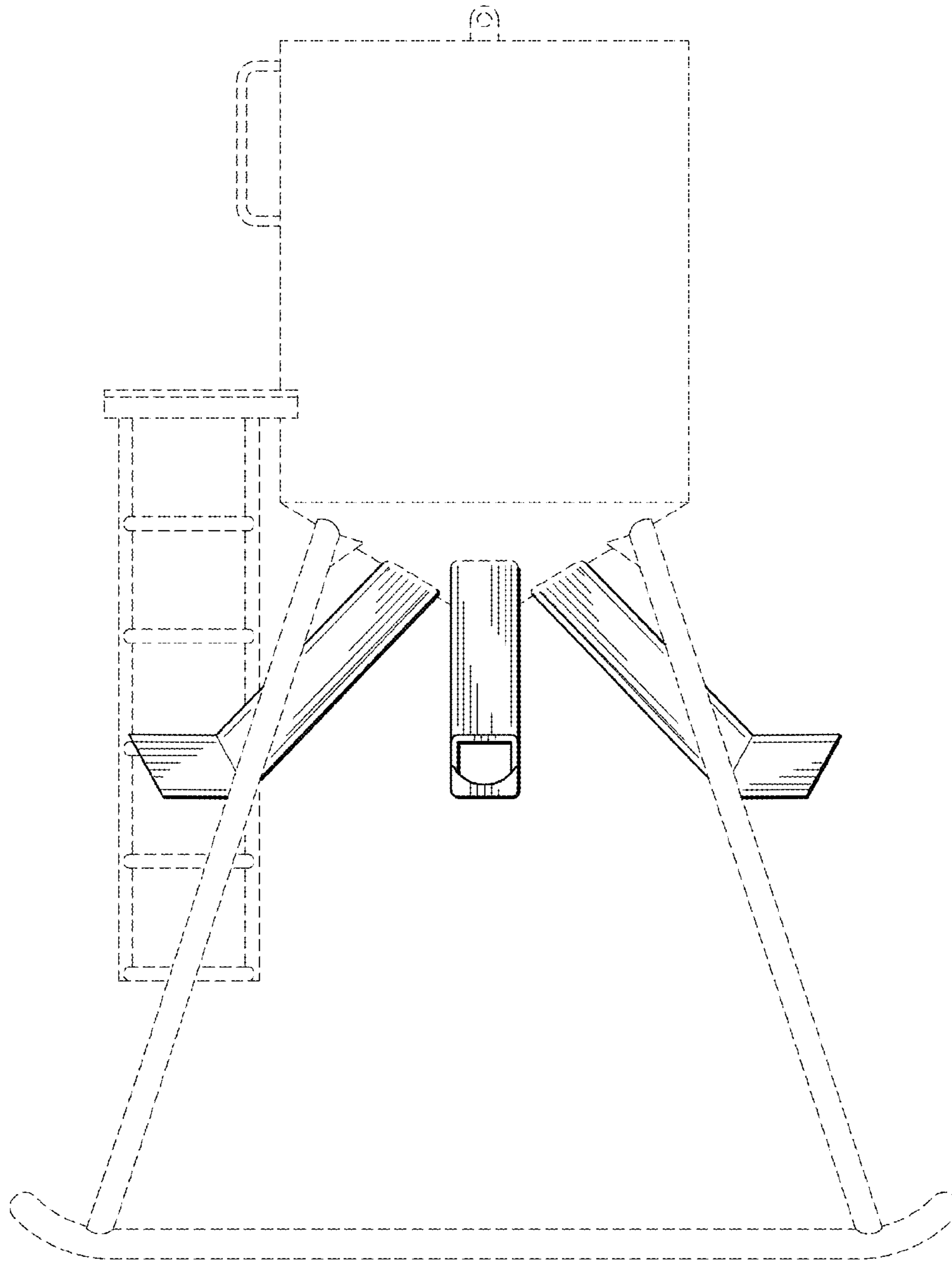


FIG. 3

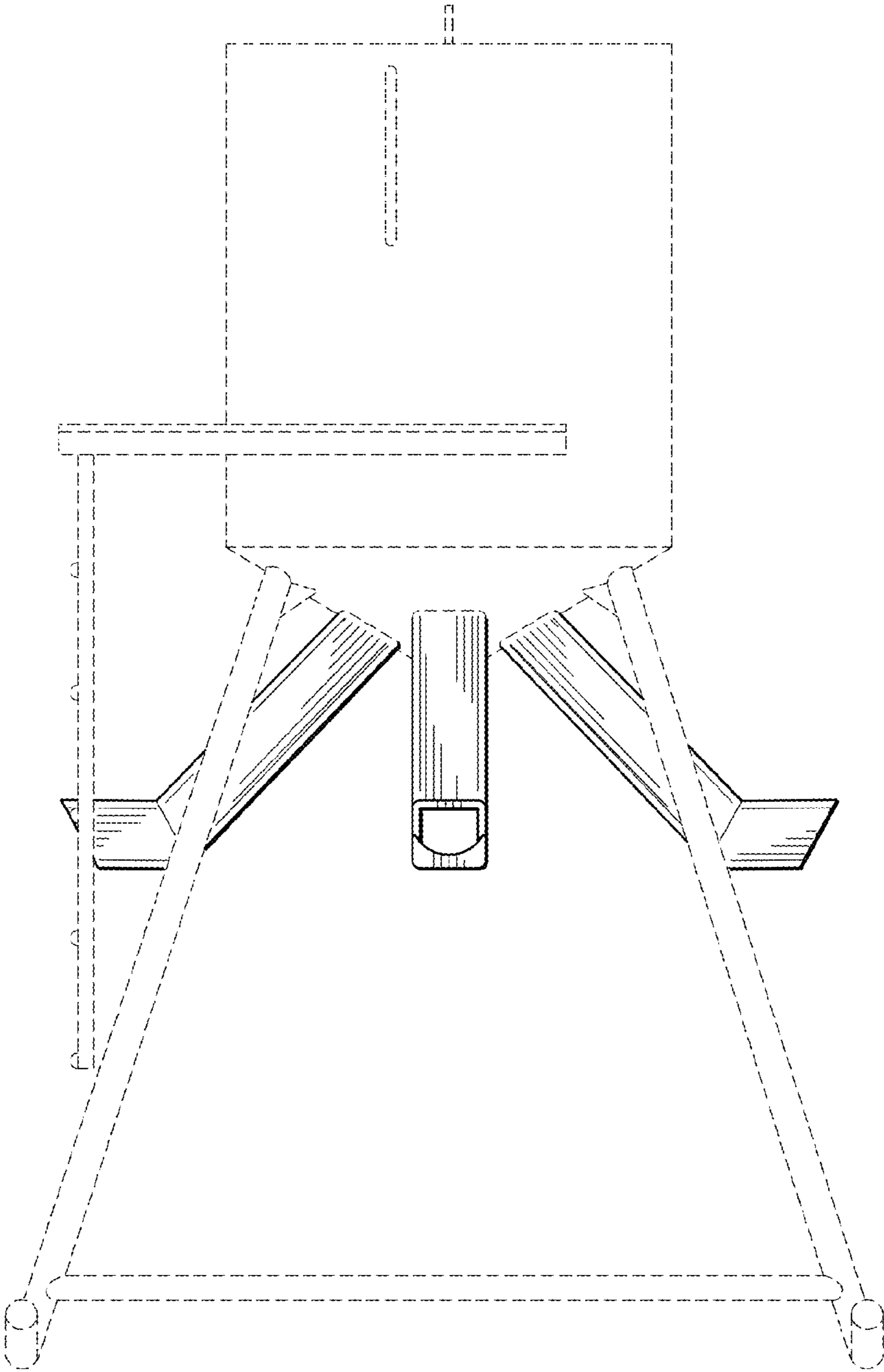


FIG. 4



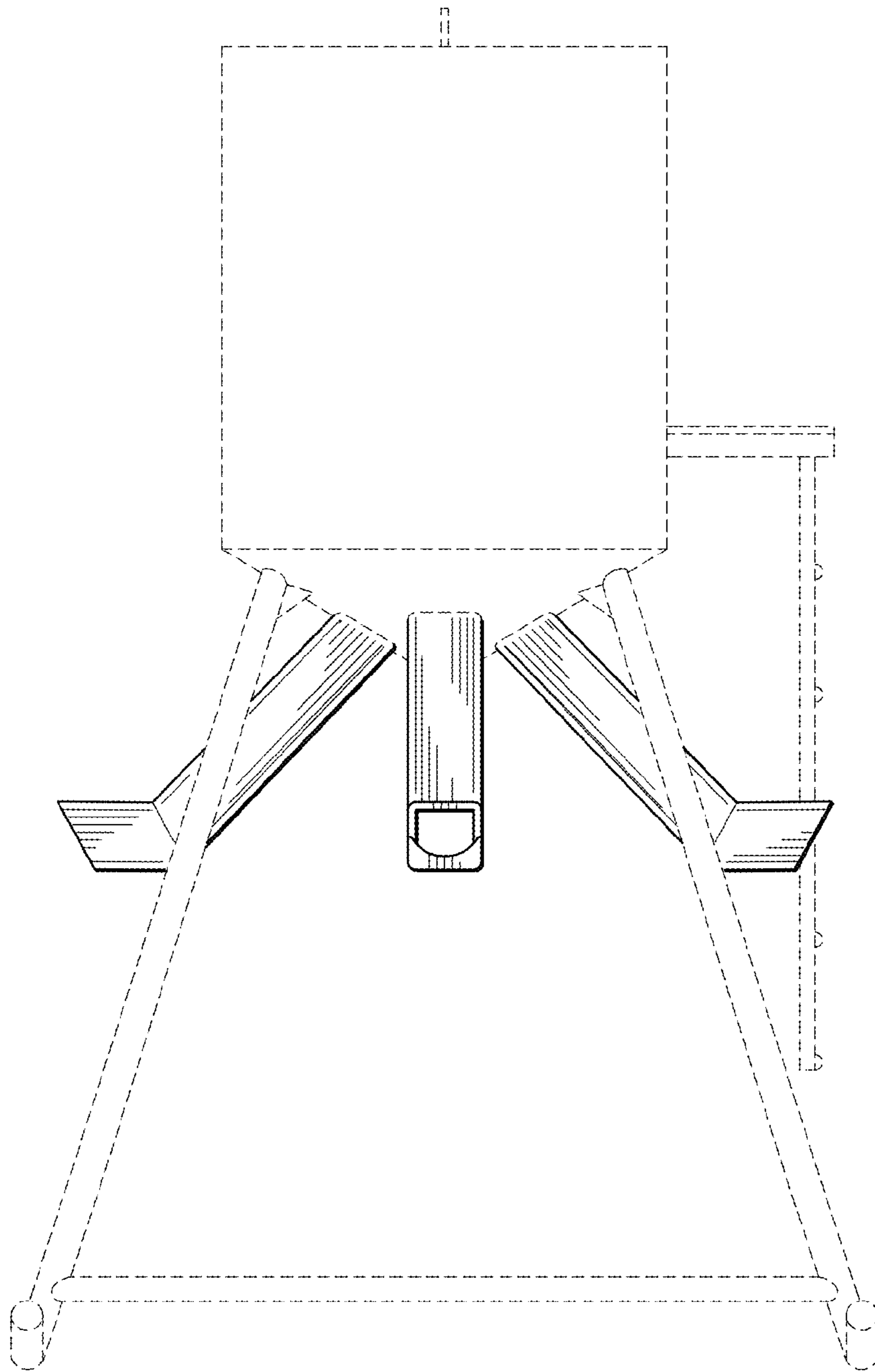


FIG. 5

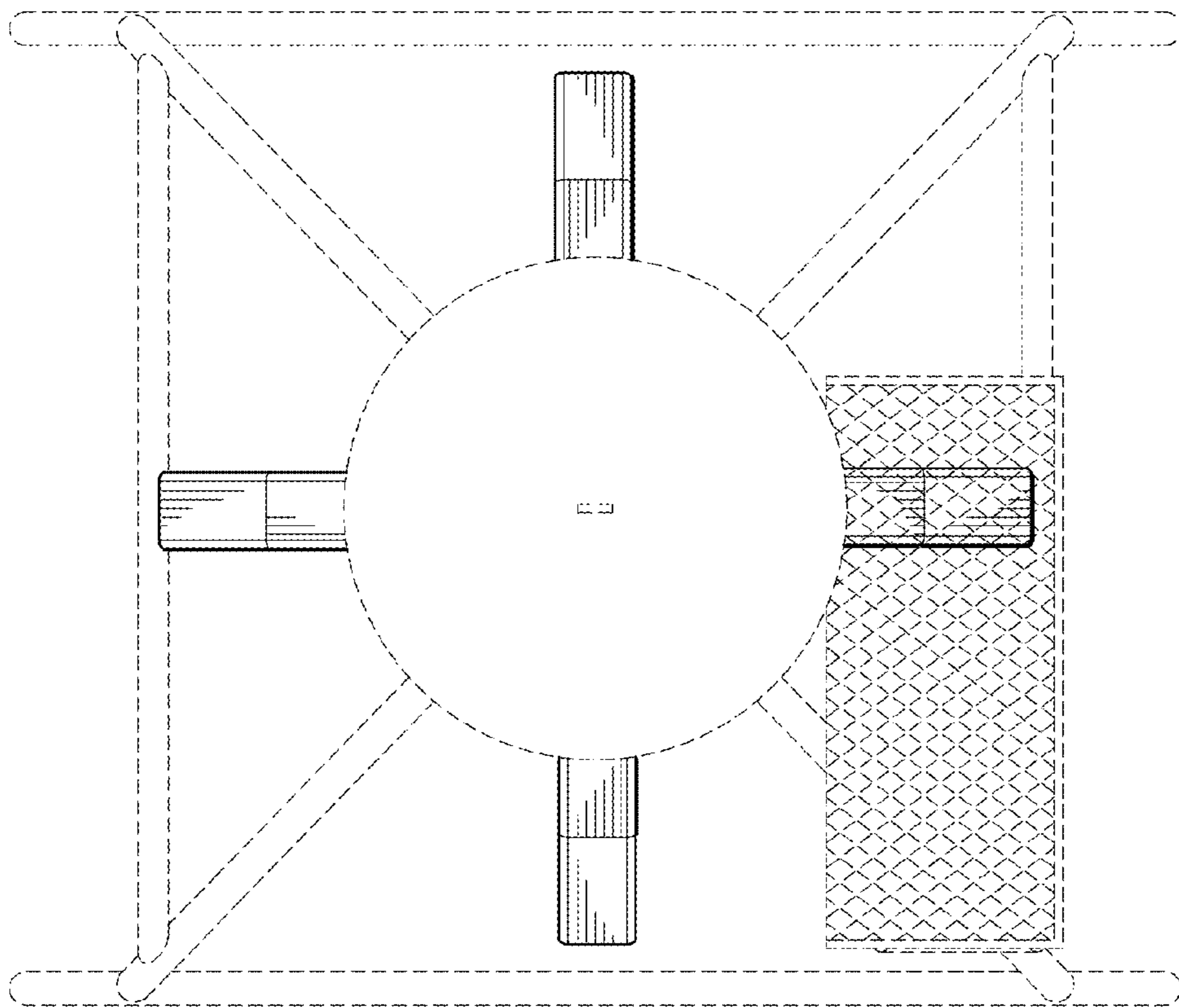


FIG. 6

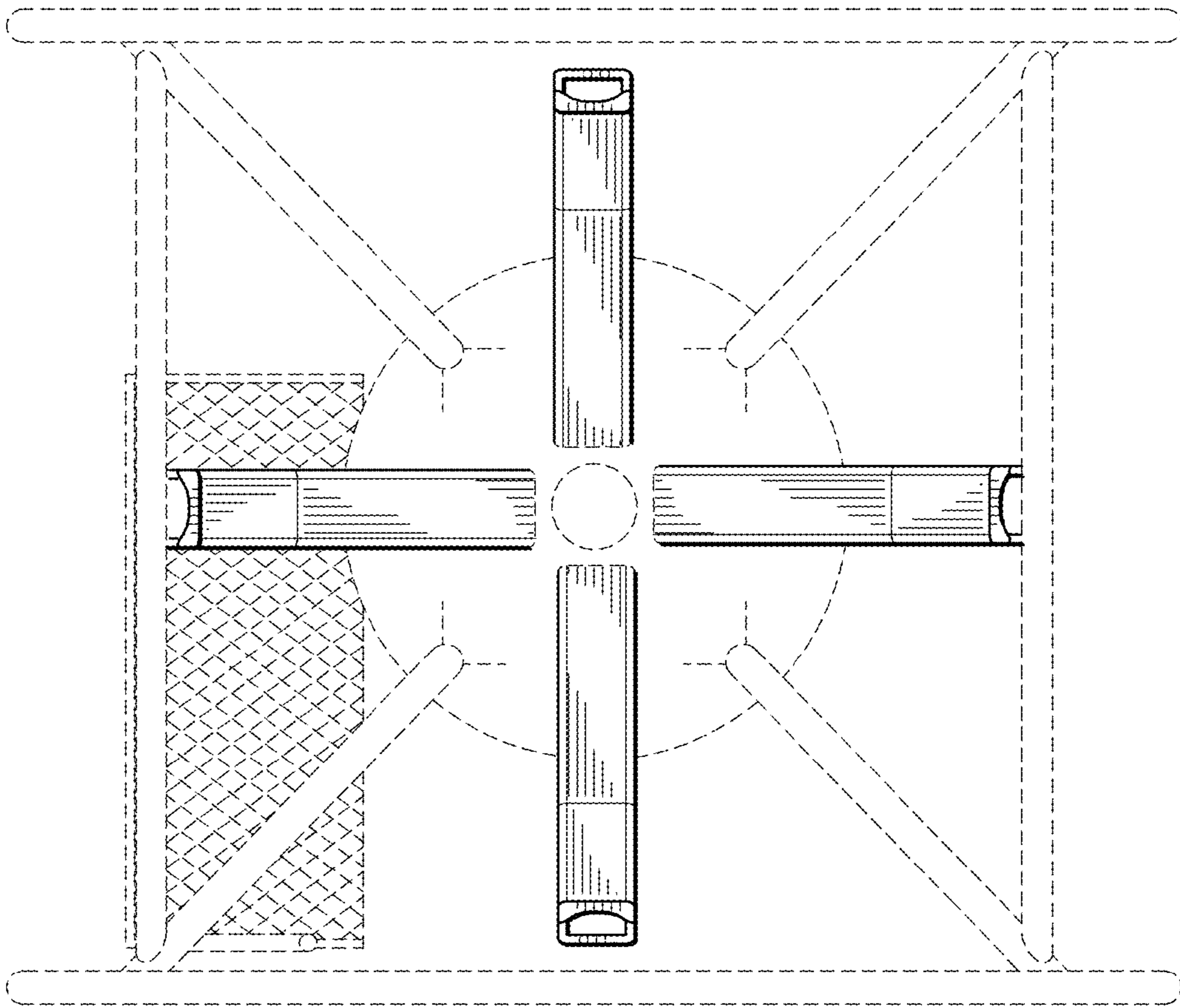


FIG. 7