



US00D681879S

(12) **United States Design Patent**
Stebila et al.

(10) **Patent No.:** **US D681,879 S**

(45) **Date of Patent:** **** May 7, 2013**

(54) **PORTION OF A FLOSS DEVICE**

(75) Inventors: **Jonathan M. Stebila**, Grand Rapids, MI (US); **Kevin J Kollar**, Ada, MI (US); **Scott Philip Crossman**, Rockford, MI (US); **Jeffrey J. Fisher**, Ada, MI (US)

6,065,479 A 5/2000 Chodorow
6,085,760 A 7/2000 Chodorow
D443,113 S 5/2001 Chodorow
D456,566 S 4/2002 Chodorow
D489,490 S 5/2004 Chodorow
7,370,658 B2 5/2008 Chodorow et al.
D649,713 S * 11/2011 Kollar D28/66
D655,456 S * 3/2012 Nanda D28/66

(73) Assignee: **Ranir, LLC**, Grand Rapids, MI (US)

* cited by examiner

(**) Term: **14 Years**

Primary Examiner — Zenia Bennett

(21) Appl. No.: **29/404,648**

(74) *Attorney, Agent, or Firm* — Warner Norcross & Judd LLP

(22) Filed: **Oct. 24, 2011**

(51) **LOC (9) Cl.** **28-03**

(57) **CLAIM**

(52) **U.S. Cl.**
USPC **D28/66**

The ornamental design for a portion of a floss device, as shown and described.

(58) **Field of Classification Search** D28/31,
D28/56, 65–68, 73; D24/152; 433/141,
433/146–147; 132/322–329

DESCRIPTION

See application file for complete search history.

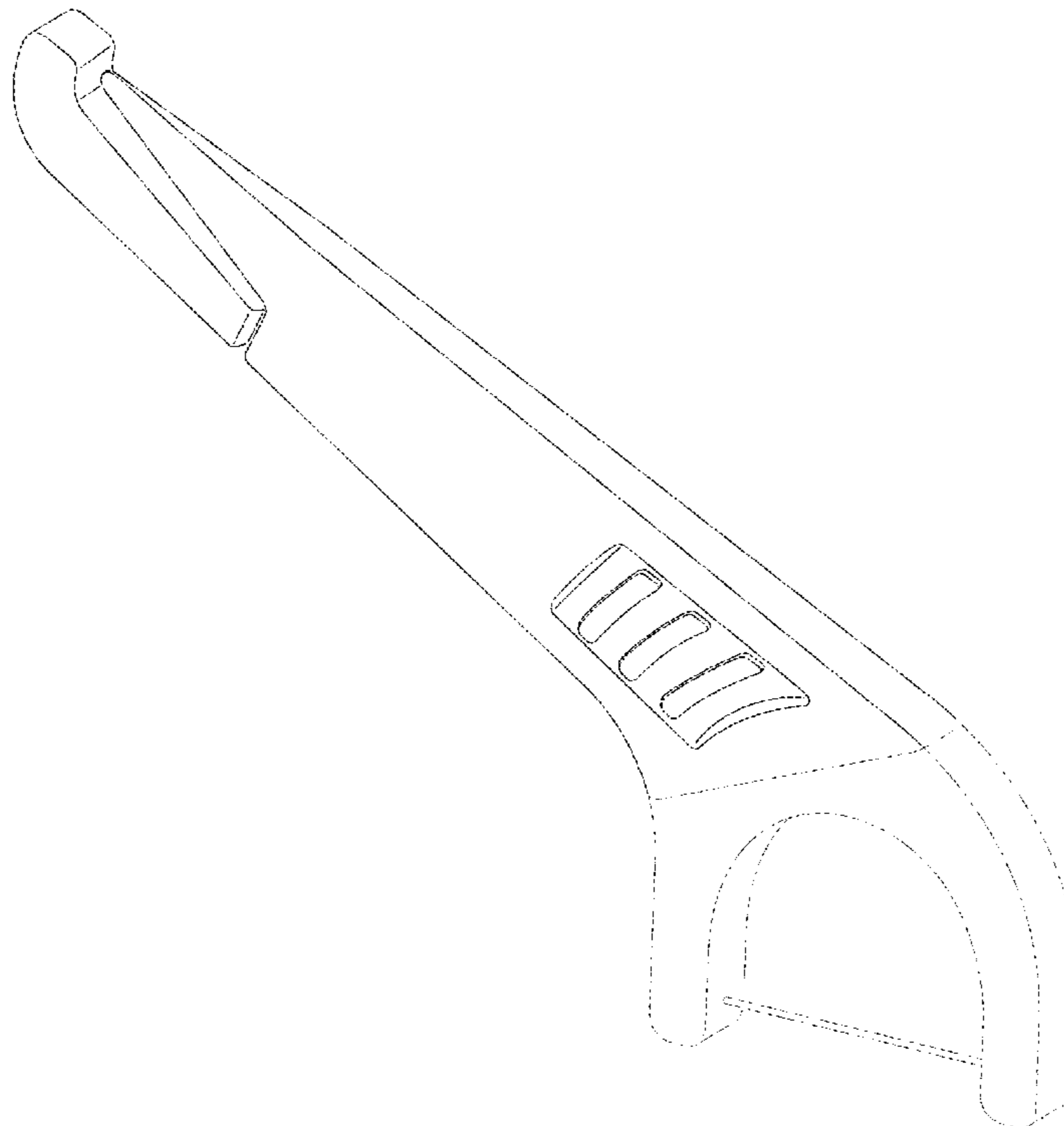
FIG. 1 is a perspective view of the portion of the floss device according to another embodiment of the new design;
FIG. 2 is a right side view thereof;
FIG. 3 is a left side view thereof;
FIG. 4 is a front view thereof;
FIG. 5 is a rear view thereof;
FIG. 6 is a top view thereof;
FIG. 7 is a bottom view thereof; and,
FIGS. 1-7 show portions of the design in phantom lines. The portions shown in phantom lines are for environmental purposes and form no part of the claimed design.

(56) **References Cited**

U.S. PATENT DOCUMENTS

| | | |
|-------------|---------|------------------|
| D244,376 S | 5/1977 | Chodorow |
| D244,609 S | 6/1977 | Chodorow |
| D250,214 S | 11/1978 | Chodorow |
| D301,071 S | 5/1989 | Franchi |
| 5,538,023 A | 7/1996 | Oczkowski et al. |
| 5,692,531 A | 12/1997 | Chodorow |
| D401,701 S | 11/1998 | Chodorow |
| 5,829,458 A | 11/1998 | Chodorow |
| D410,115 S | 5/1999 | Chodorow |
| 5,911,229 A | 6/1999 | Chodorow |

1 Claim, 3 Drawing Sheets



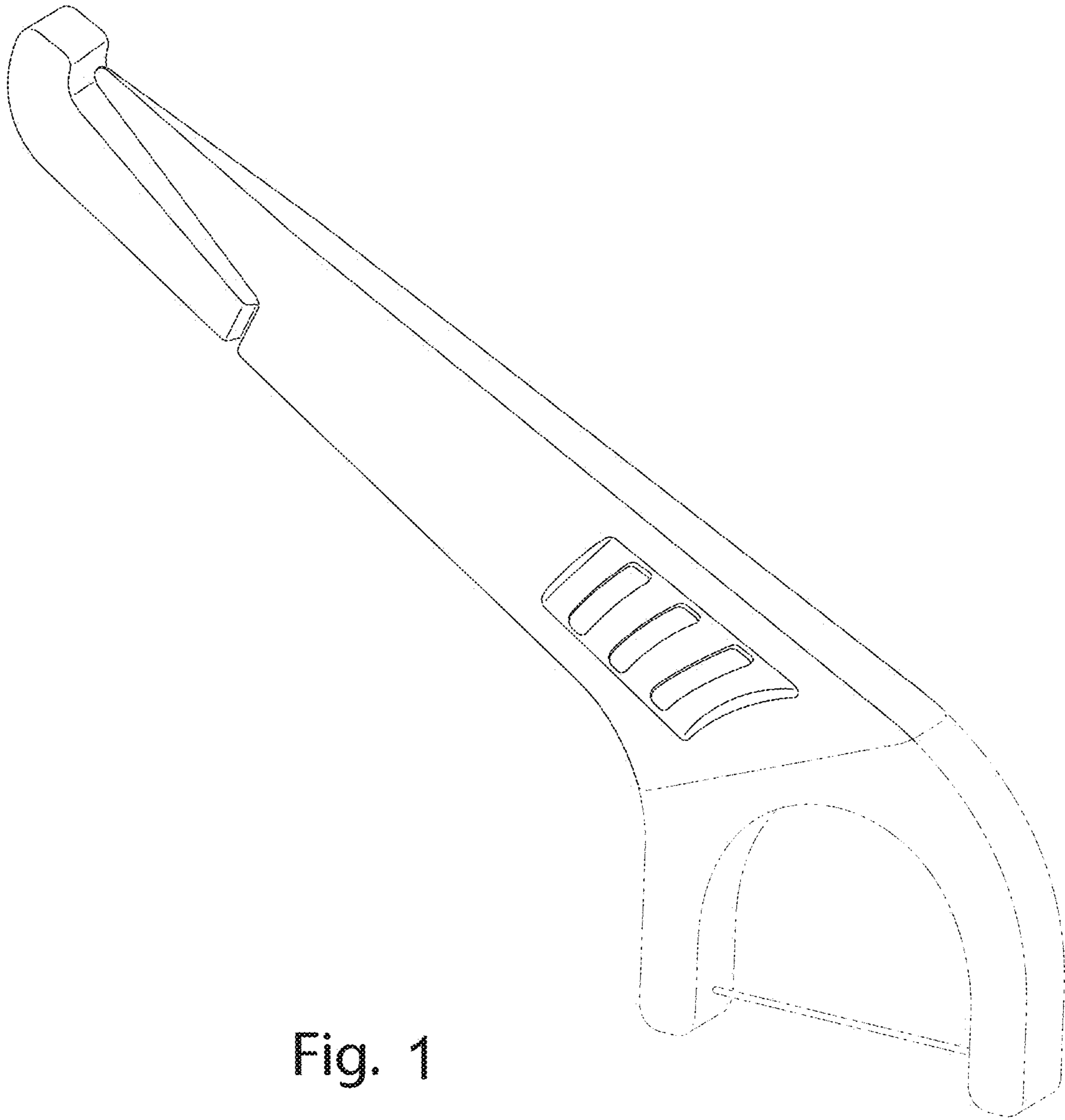


Fig. 1

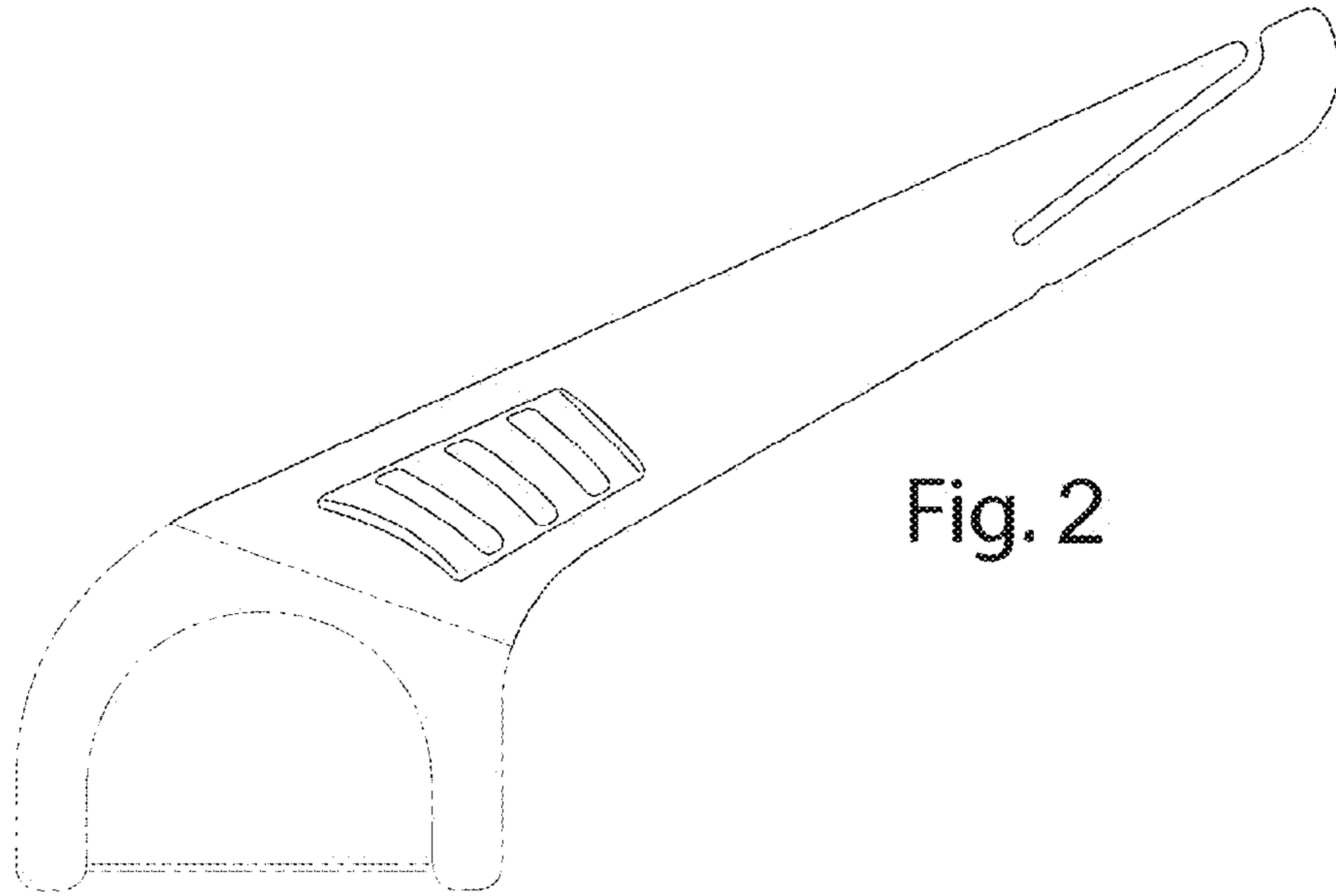


Fig. 2

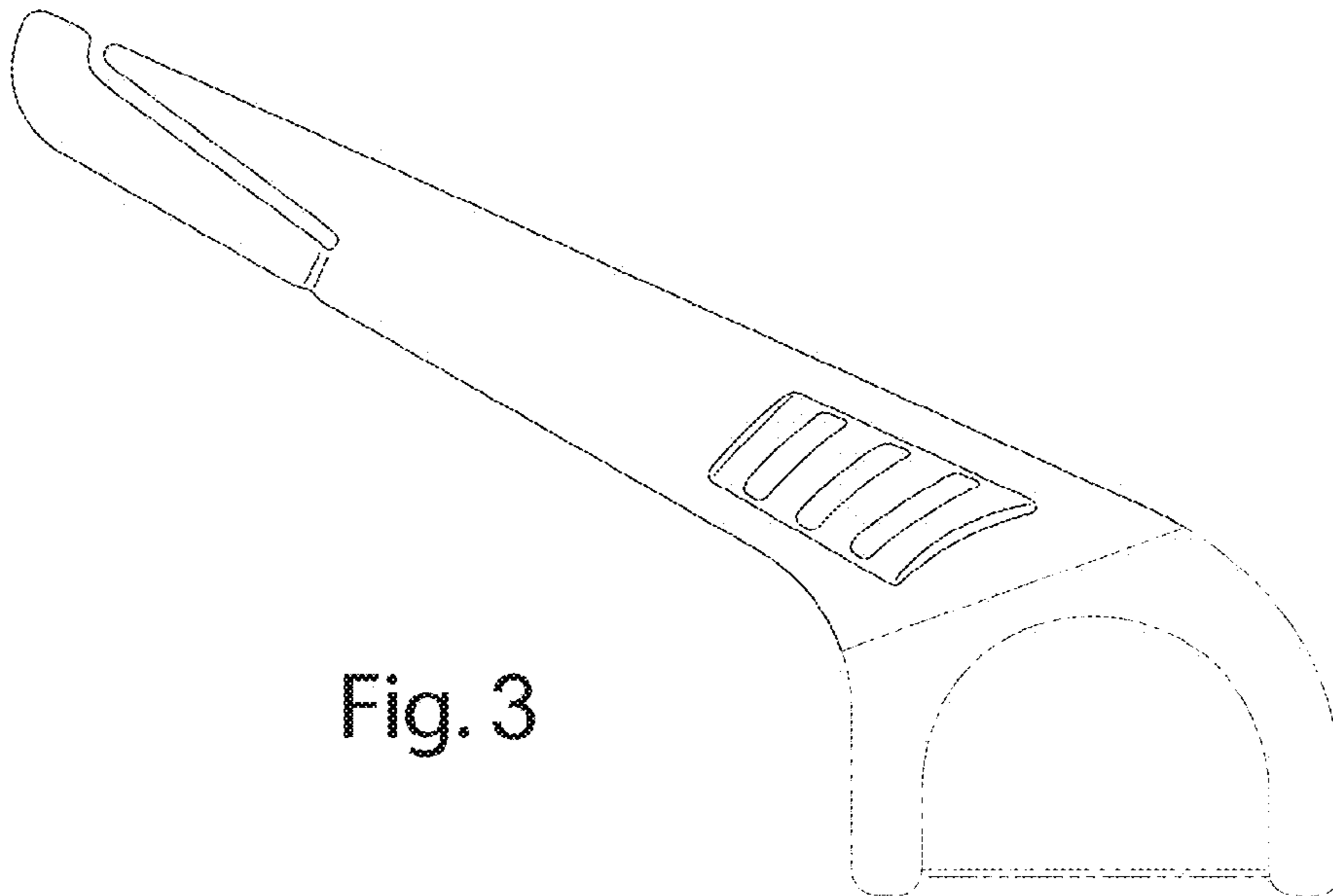


Fig. 3

Fig. 4

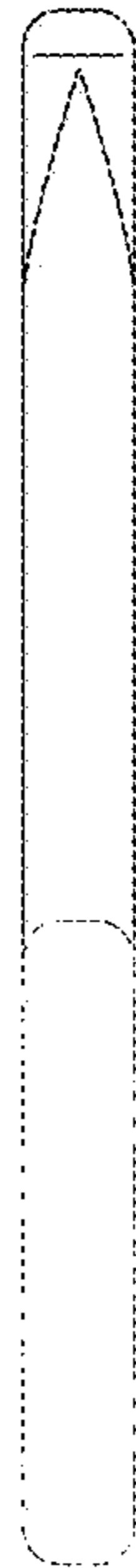


Fig. 5

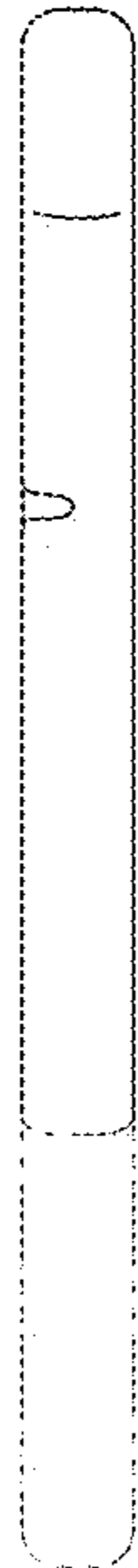


Fig. 6



Fig. 7

