



US00D681877S

(12) **United States Design Patent**
Curry et al.

(10) **Patent No.:** **US D681,877 S**

(45) **Date of Patent:** **** May 7, 2013**

(54) **COSMETIC APPLICATOR**

(75) Inventors: **Anna Curry**, Charlotte, NC (US); **Juan Carlos Perez**, Charlotte, NC (US); **Raeshon Lamont McNeil**, Charlotte, NC (US); **Jeff Browning**, Charlotte, NC (US); **Alexa Adams**, Matthews, NC (US); **Daniel Lee Bizzell**, Charlotte, NC (US); **Daniel Cordero**, Charlotte, NC (US); **Todd Stancombe**, Charlotte, NC (US); **Robert Roger Hall**, Winston-Salem, NC (US)

(73) Assignee: **Edison Nation, LLC**, Charlotte, NC (US)

(**) Term: **14 Years**

(21) Appl. No.: **29/429,920**

(22) Filed: **Aug. 18, 2012**

(51) **LOC (9) Cl.** **28-03**

(52) **U.S. Cl.**
USPC **D28/7; D28/82**

(58) **Field of Classification Search** D28/76-84,
D28/7, 64.1-64.6; 132/286-288, 291, 293-307,
132/313-318, 202, 208; 206/823, 581
See application file for complete search history.

(56) **References Cited**

U.S. PATENT DOCUMENTS

D324,497 S * 3/1992 Denton D9/432
D439,376 S * 3/2001 Lerolle D28/82

D523,750 S * 6/2006 Lee et al. D28/82
D525,748 S * 7/2006 Colne D28/82
D530,860 S * 10/2006 Funkhouser et al. D28/82
D595,899 S * 7/2009 Krause-Neufeldt D28/82
D645,616 S * 9/2011 Wells D28/82
2009/0071496 A1 * 3/2009 Glenn et al. 132/208
2009/0084394 A1 * 4/2009 Baker et al. 132/208
2009/0084395 A1 * 4/2009 Glenn et al. 132/208
2009/0095314 A1 * 4/2009 Lund et al. 132/208
2010/0101595 A1 * 4/2010 Glenn et al. 132/208
2010/0139683 A1 * 6/2010 Smith 132/208

* cited by examiner

Primary Examiner — Jennifer Rivard

(74) *Attorney, Agent, or Firm* — Tillman Wright, PLLC;
James D. Wright; David R. Higgins

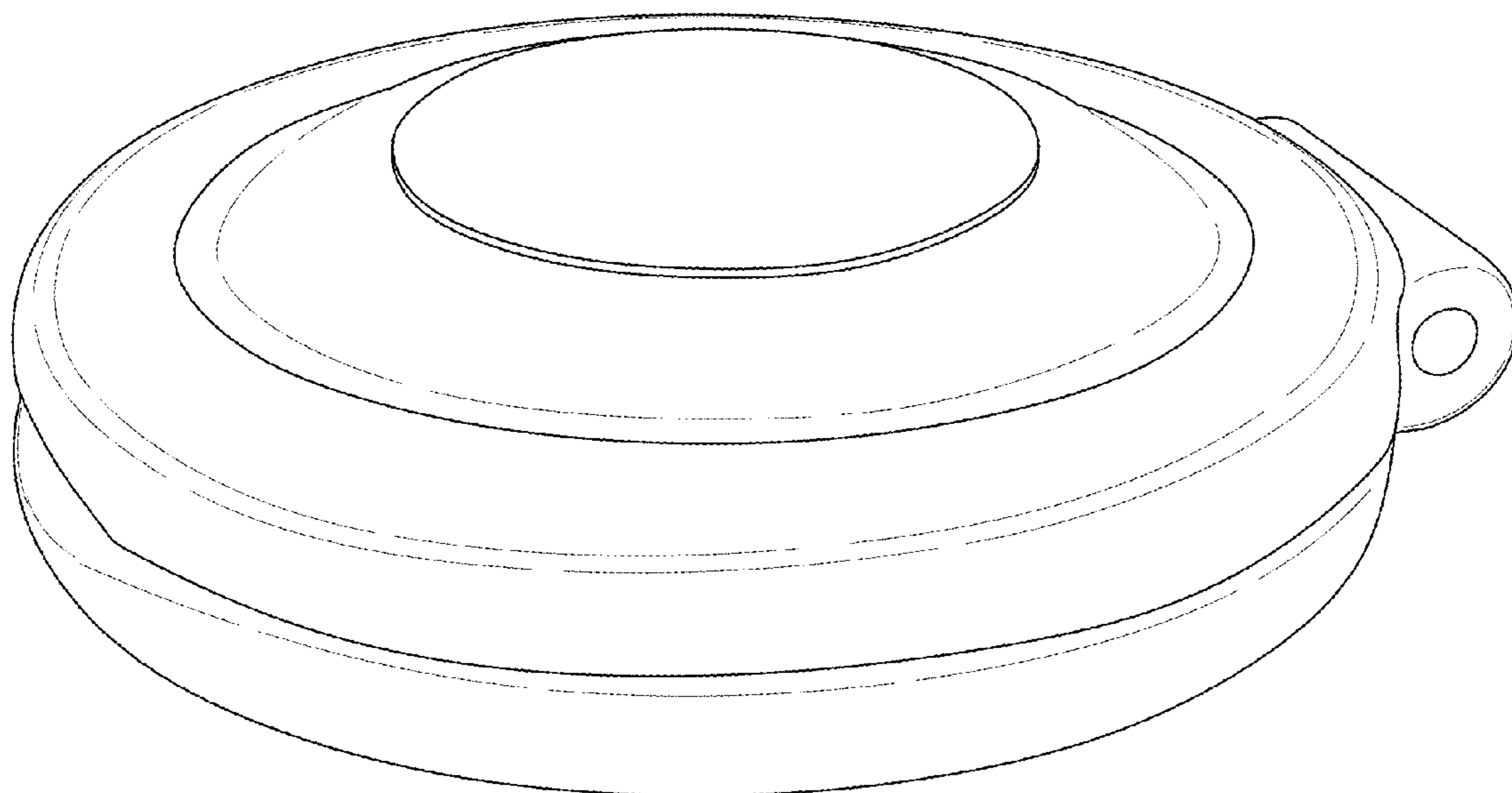
(57) **CLAIM**

The ornamental design for a cosmetic applicator, as shown.

DESCRIPTION

FIG. 1 is a front perspective view of the design for a cosmetic applicator in accordance with a preferred embodiment of the present invention;
FIG. 2 is a top view of the cosmetic applicator of FIG. 1;
FIG. 3 is a front view of the cosmetic applicator of FIG. 1;
FIG. 4 is a right side view of the cosmetic applicator of FIG. 1;
FIG. 5 is a rear view of the cosmetic applicator of FIG. 1;
FIG. 6 is a left side view of the cosmetic applicator of FIG. 1;
and,
FIG. 7 is a bottom view of the cosmetic applicator of FIG. 1.

1 Claim, 7 Drawing Sheets



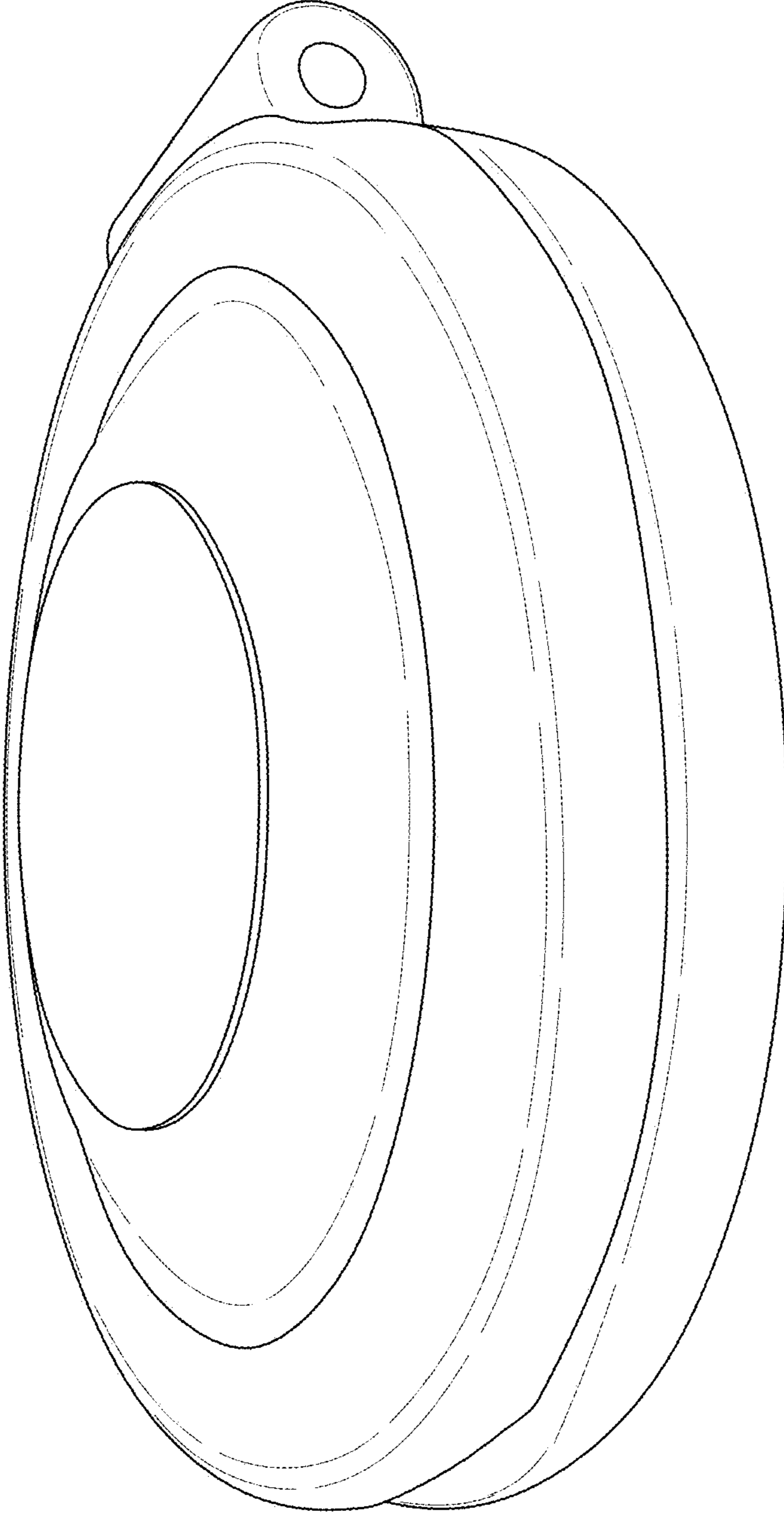


FIG. 1

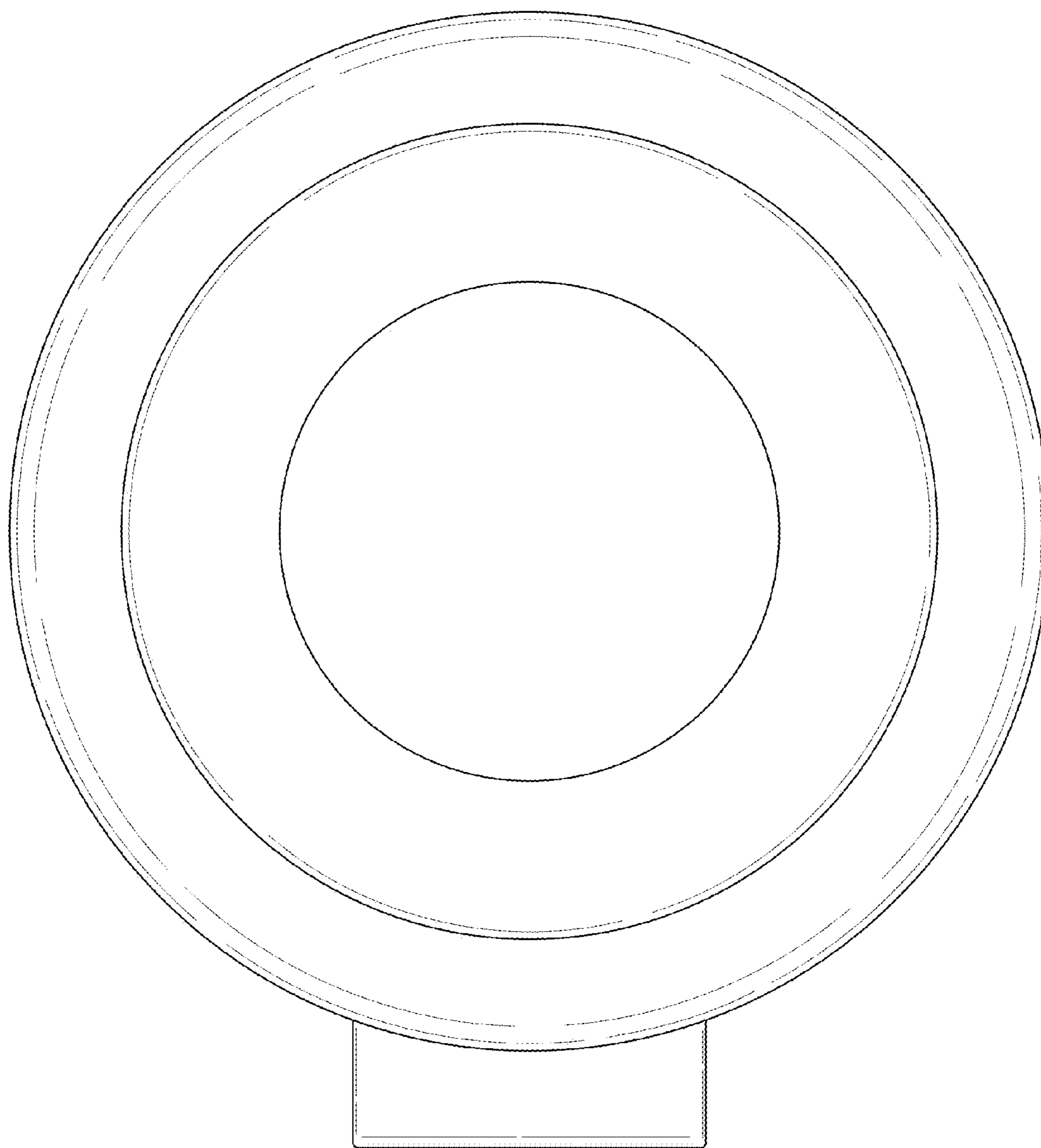


FIG. 2

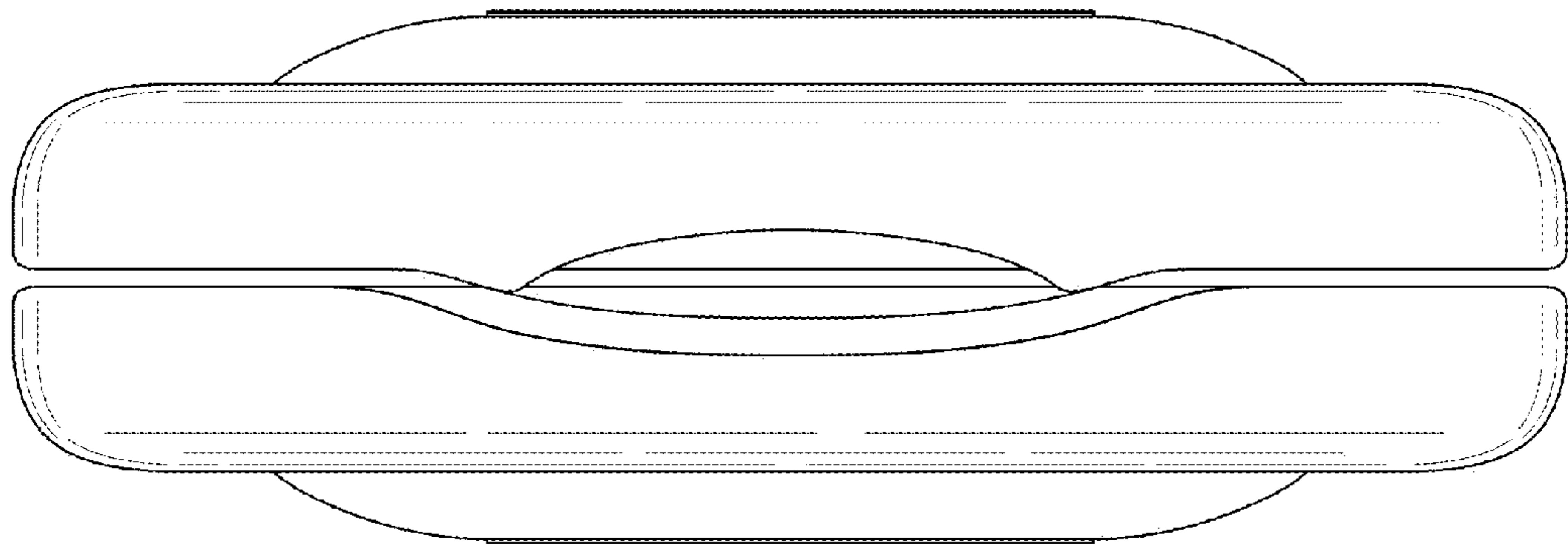


FIG. 3

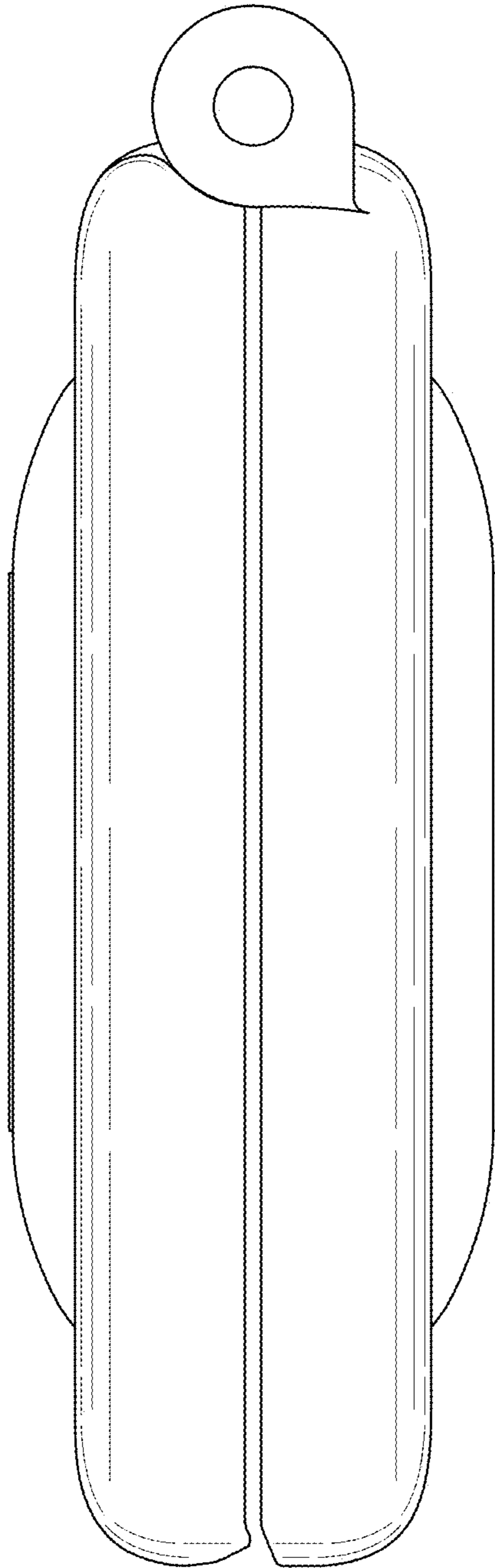


FIG. 4

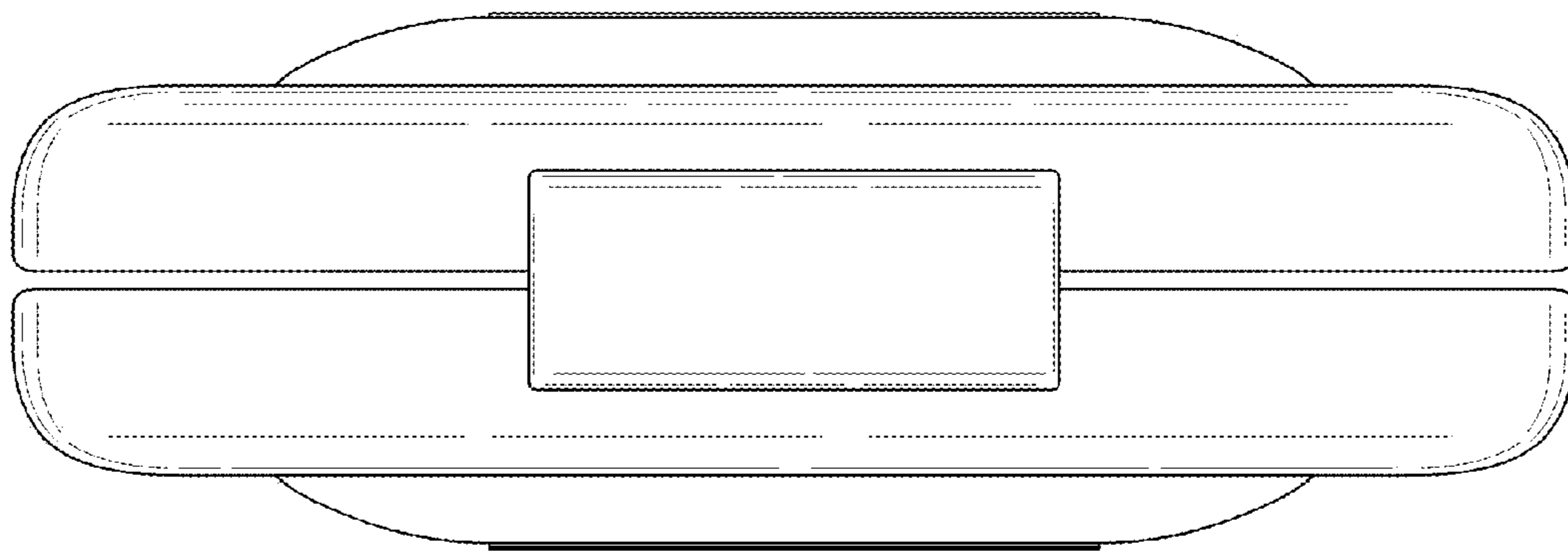


FIG. 5

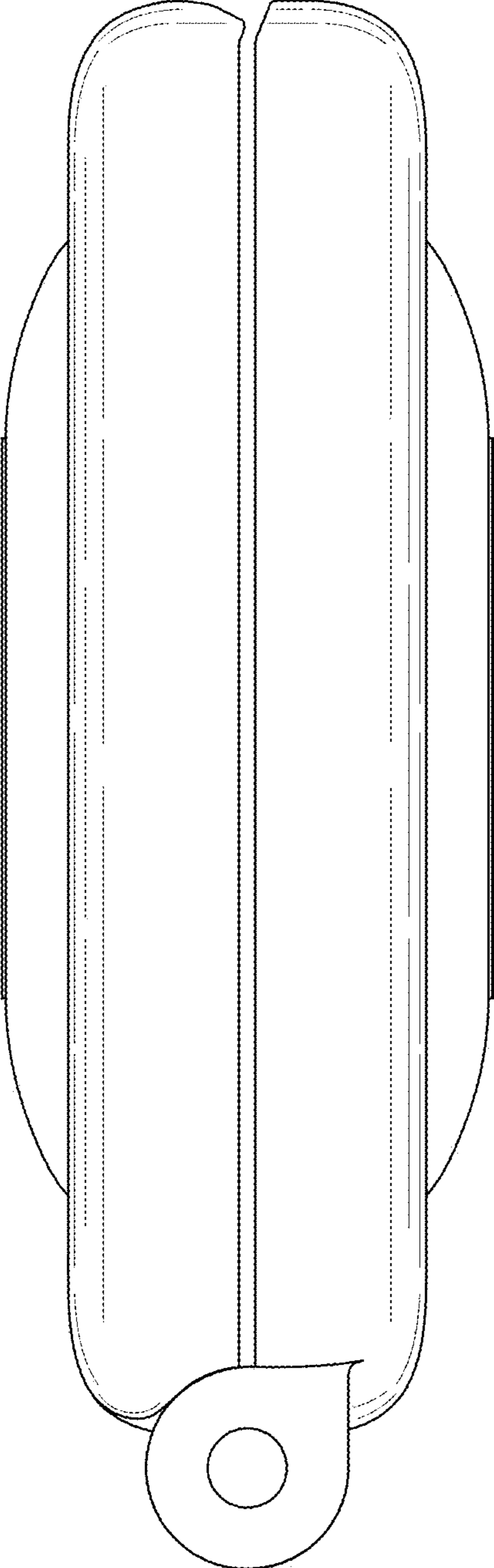


FIG. 6

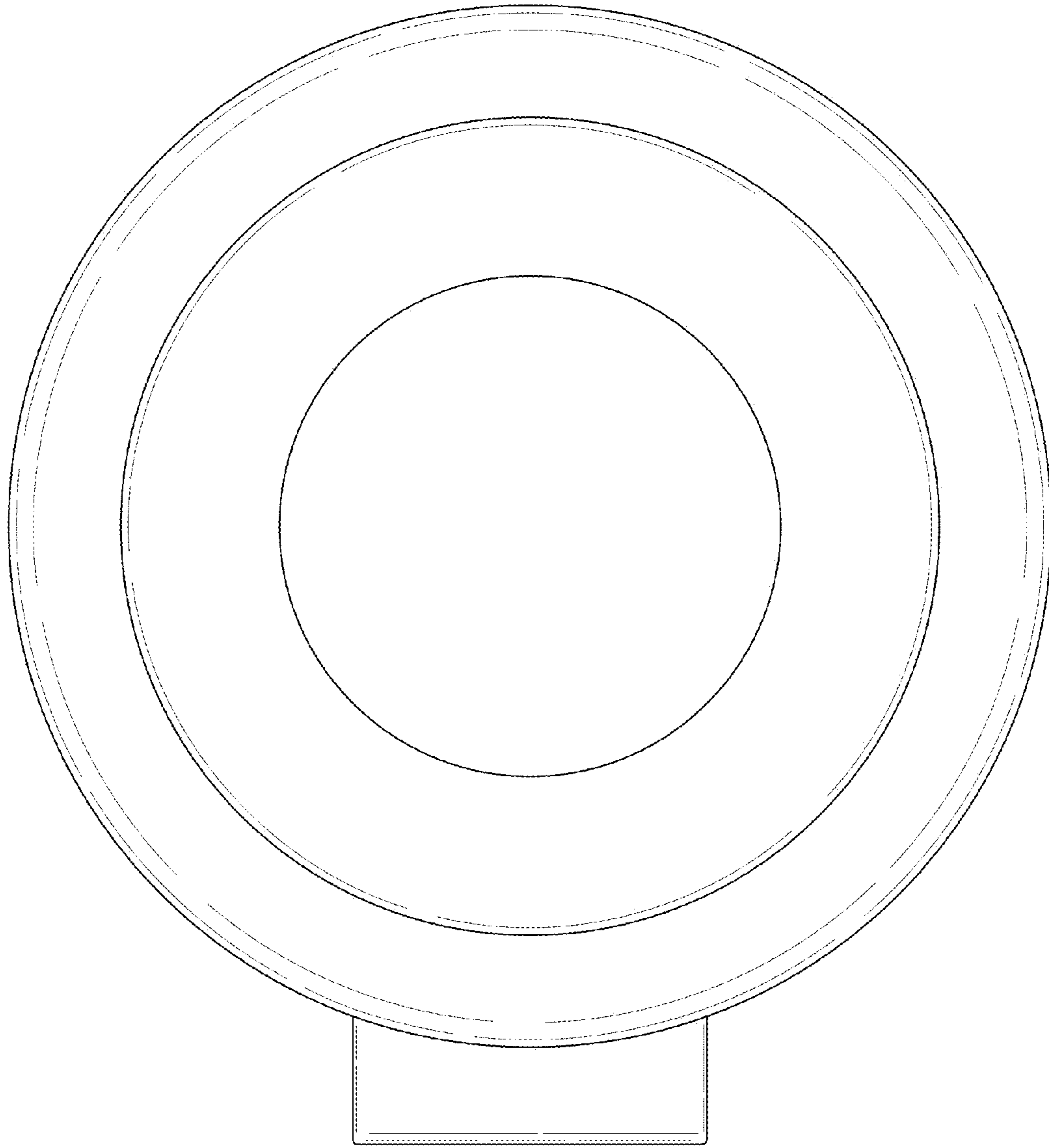


FIG. 7