



US00D681871S

(12) **United States Design Patent**
Yang

(10) **Patent No.:** **US D681,871 S**

(45) **Date of Patent:** **** May 7, 2013**

(54) **HEADLAMP HAVING DUAL APERTURE**

(75) Inventor: **Hsiu-Pen Yang**, New Taipei (TW)

(73) Assignee: **Sonar Auto Parts Co., Ltd.**, New Taipei (TW)

(**) Term: **14 Years**

(21) Appl. No.: **29/408,860**

(22) Filed: **Dec. 16, 2011**

(51) **LOC (9) Cl.** **26-99**

(52) **U.S. Cl.**
USPC **D26/139**

(58) **Field of Classification Search** D26/28-36,
D26/139; 362/459-468, 475-478, 485-487
See application file for complete search history.

(56) **References Cited**

U.S. PATENT DOCUMENTS

D421,817 S *	3/2000	Tucker et al.	D26/139
D571,500 S *	6/2008	Lin	D26/139
D639,502 S *	6/2011	Heilaneh et al.	D26/139
D640,826 S *	6/2011	Beigel et al.	D26/139
D654,214 S *	2/2012	Huang	D26/139

* cited by examiner

Primary Examiner — Marcus Jackson

(74) *Attorney, Agent, or Firm* — Li & Cai Intellectual Property (USA) Office

(57) **CLAIM**

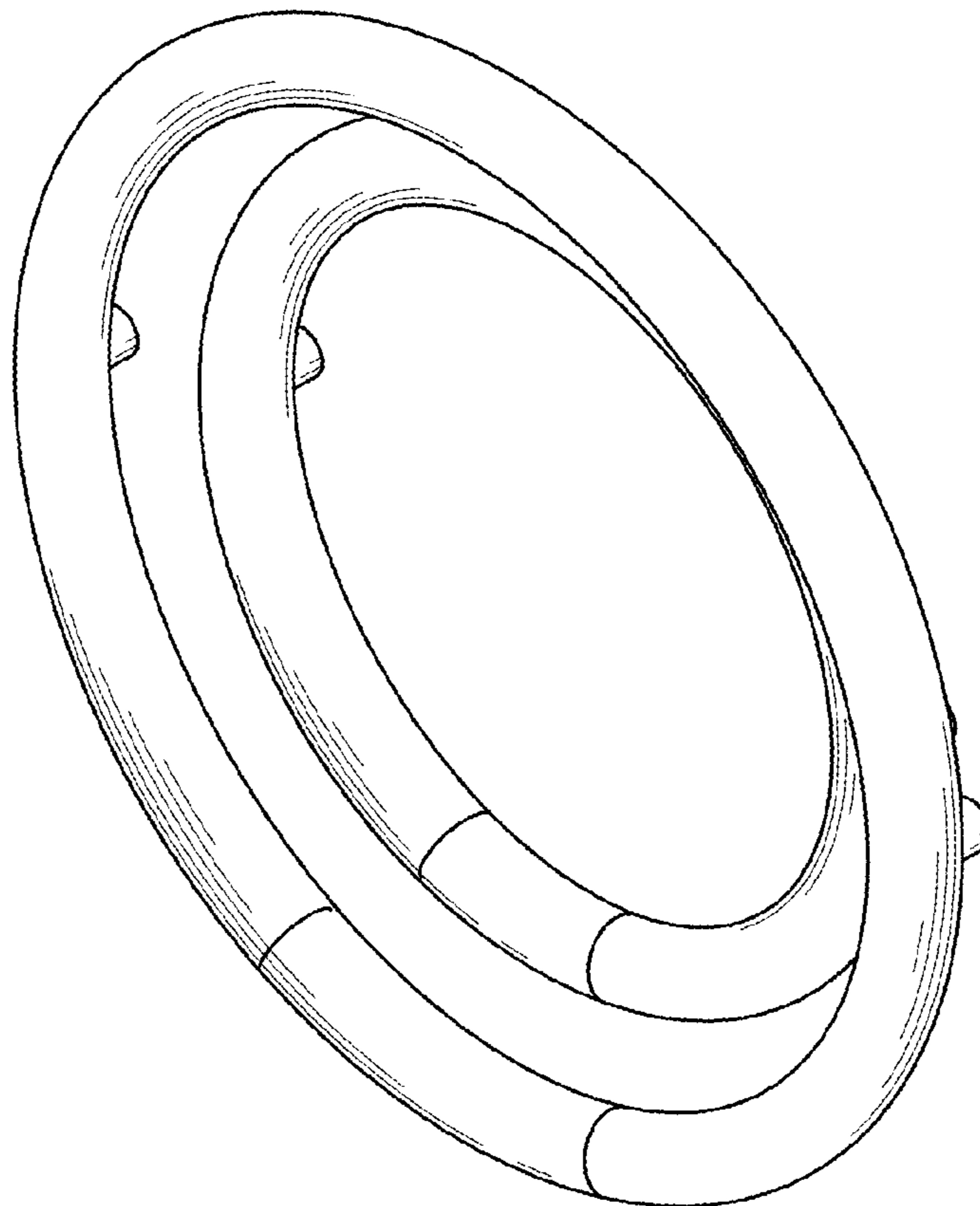
The ornamental design for a “headlamp having dual aperture,” as shown and described.

DESCRIPTION

FIG. 1 is a perspective view of a “headlamp having dual aperture” showing my new design;
FIG. 2 is a front view thereof;
FIG. 3 is a rear view thereof;
FIG. 4 is a left side view thereof;
FIG. 5 is a right side view thereof;
FIG. 6 is a top view thereof;
FIG. 7 is a bottom view thereof; and,
FIG. 8 is a perspective view viewed from another visual angle.

The dashed lines in the drawings are for illustrative purpose only and form no part of the claimed design.

1 Claim, 5 Drawing Sheets



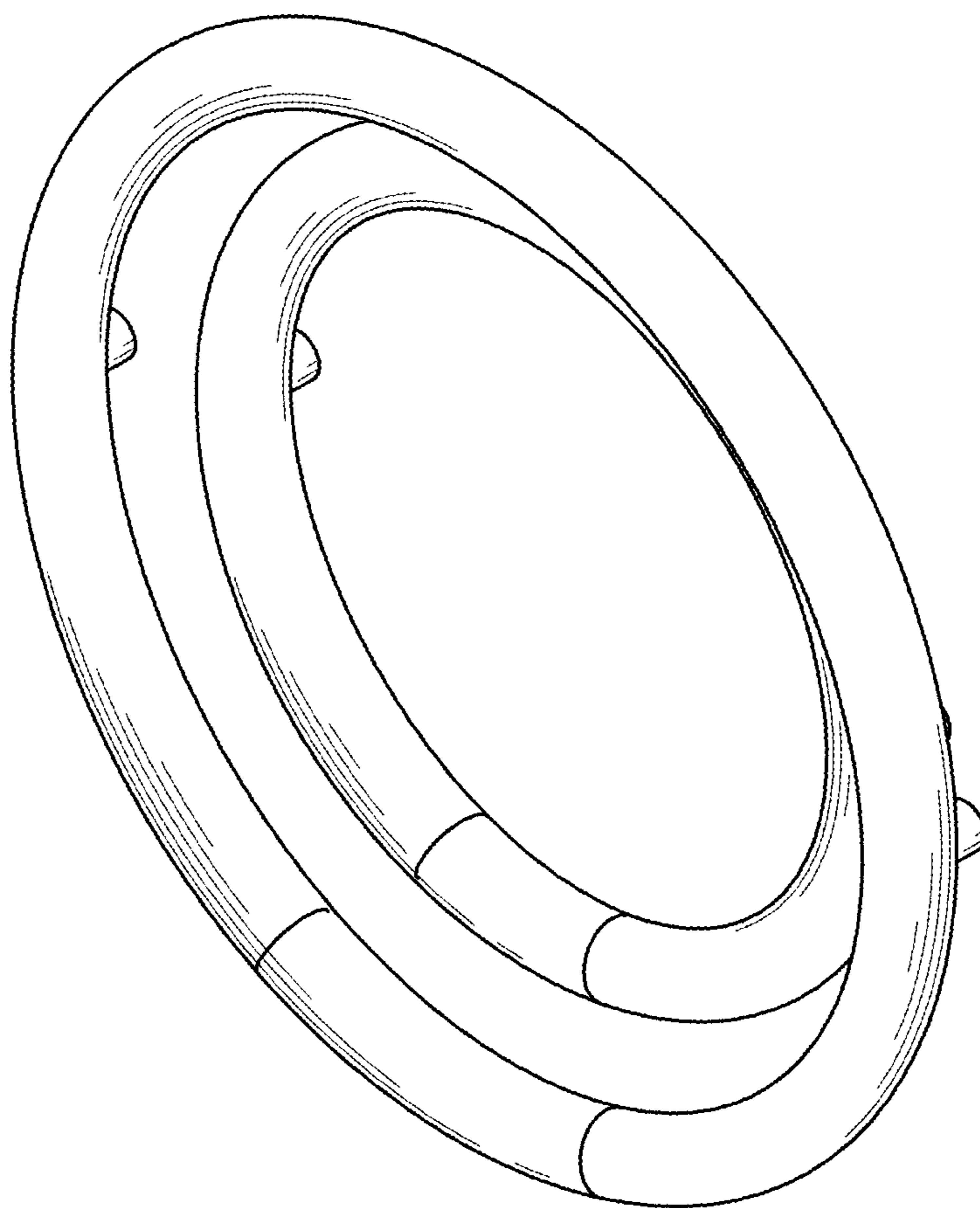


FIG. 1

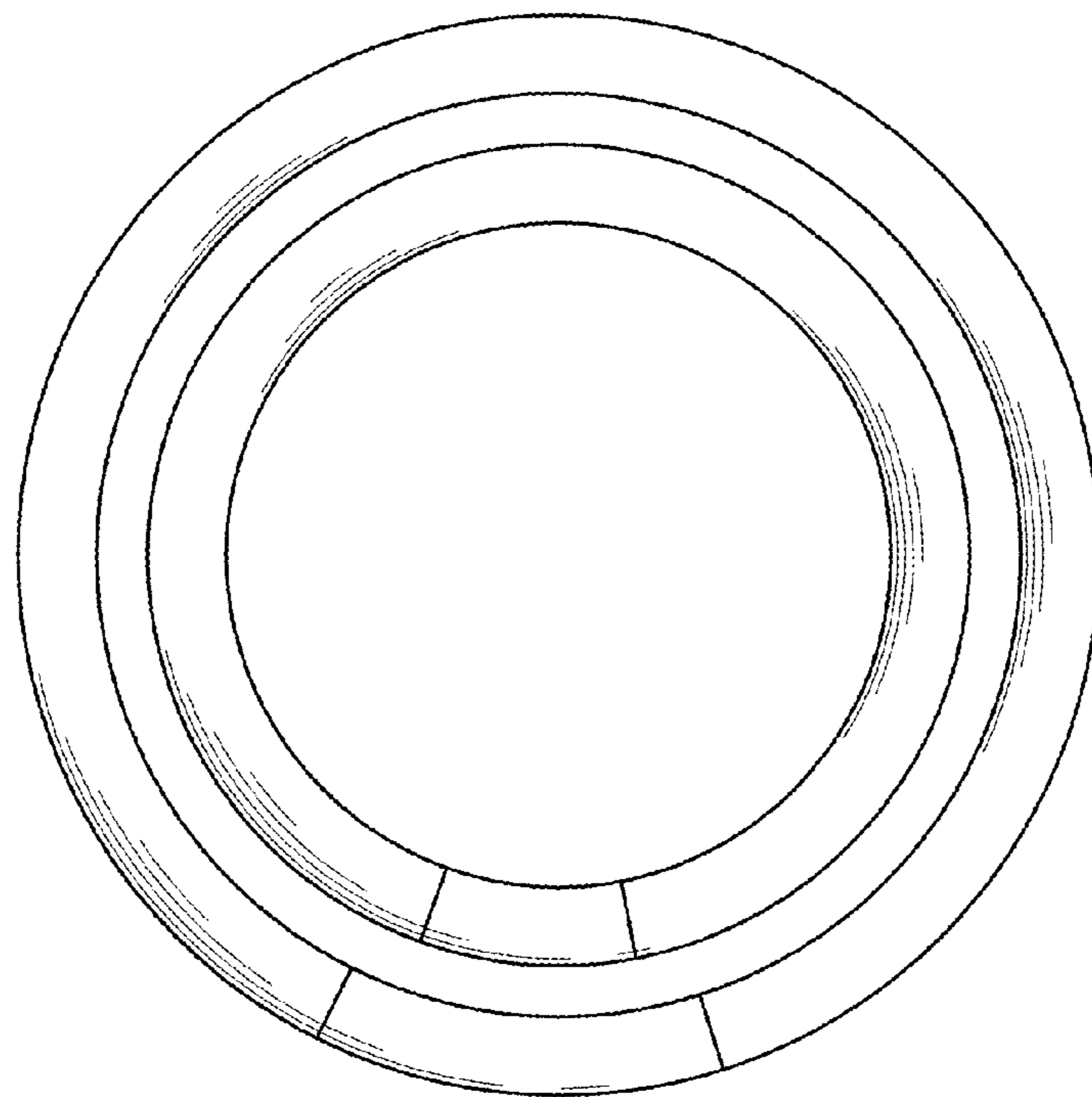


FIG. 2

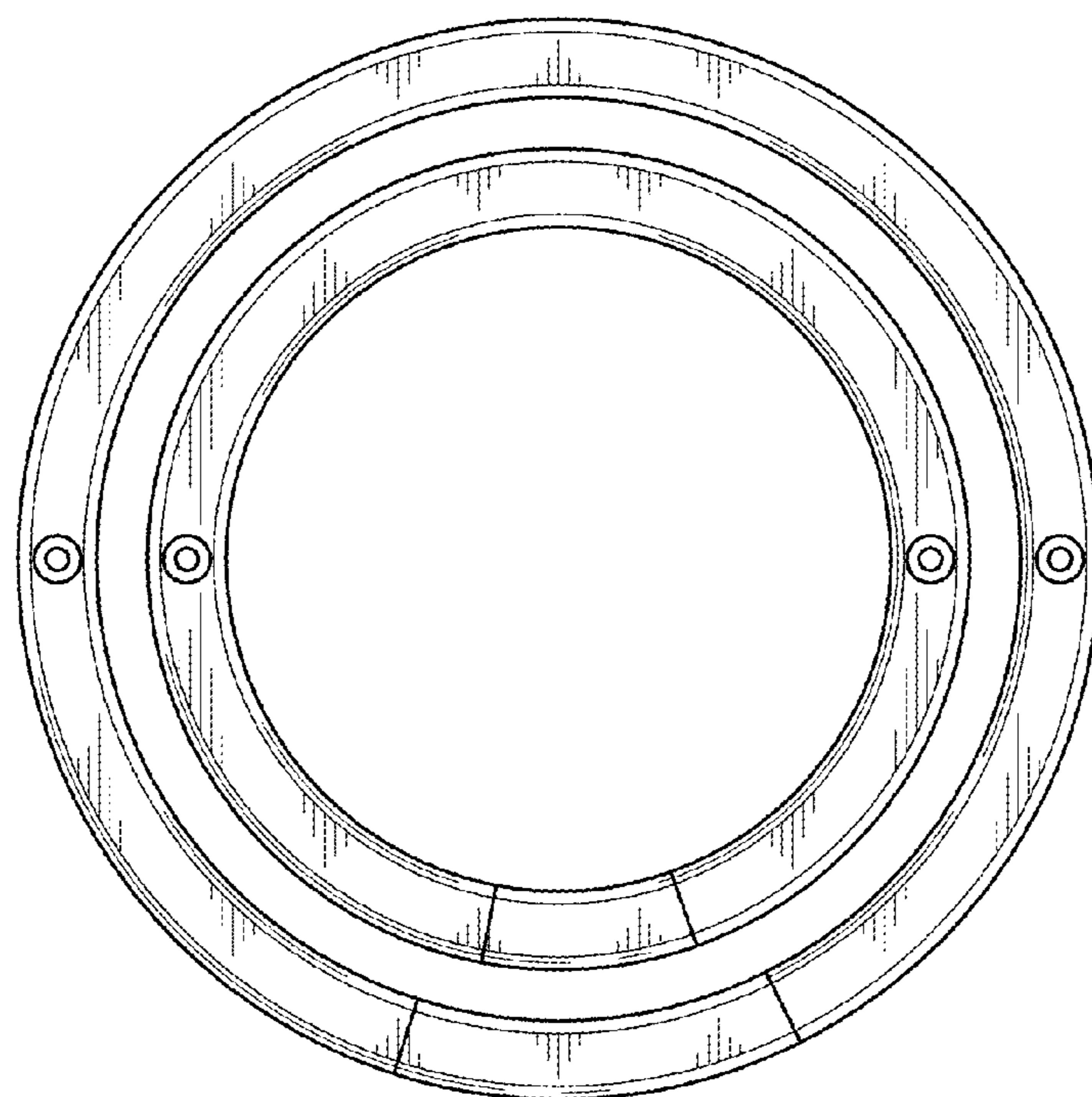


FIG. 3

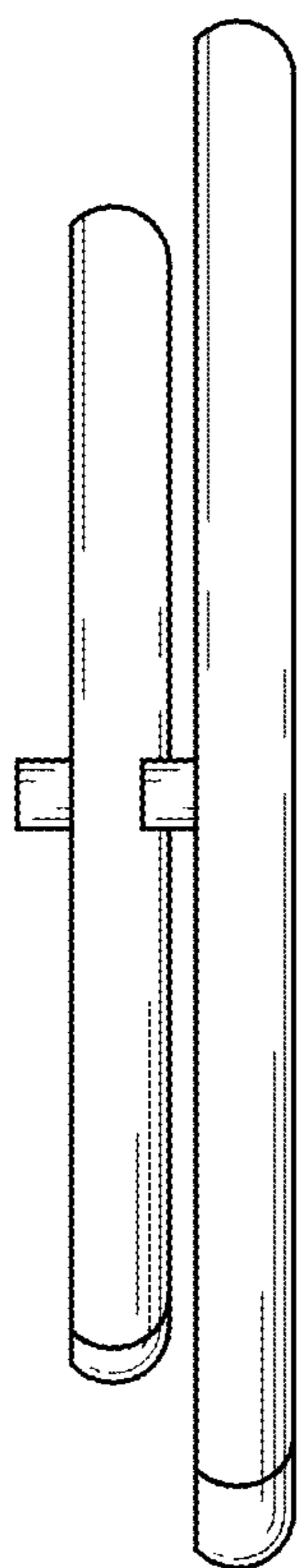


FIG. 4

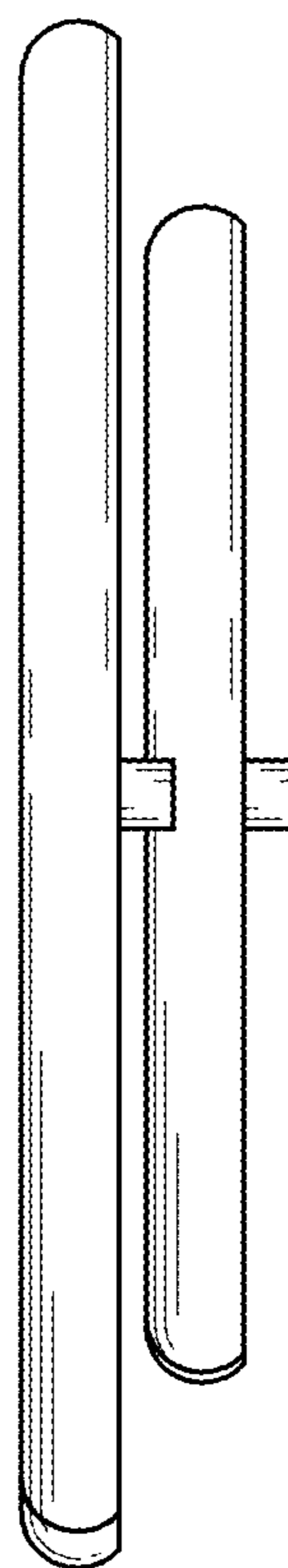


FIG. 5

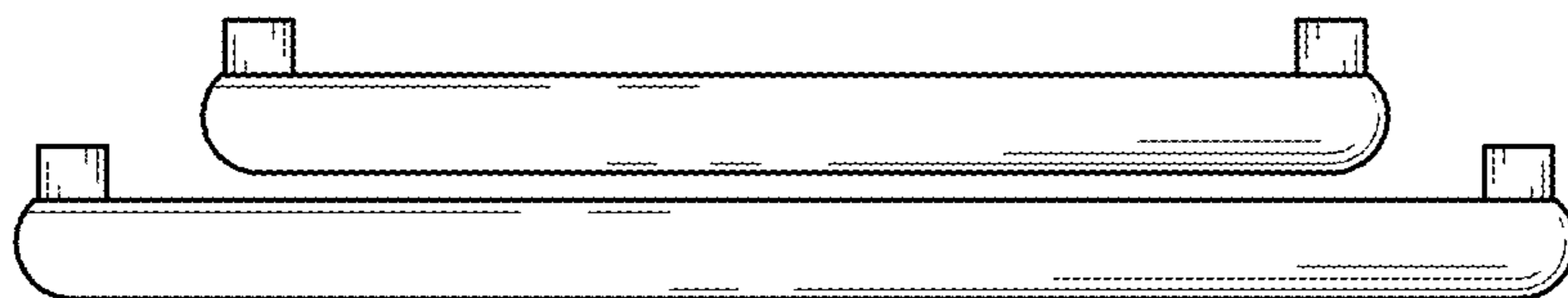


FIG. 6

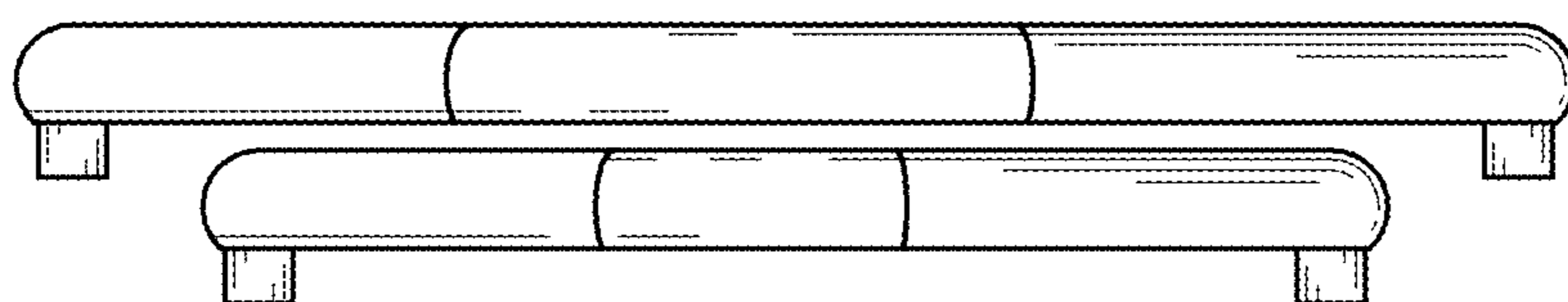


FIG. 7

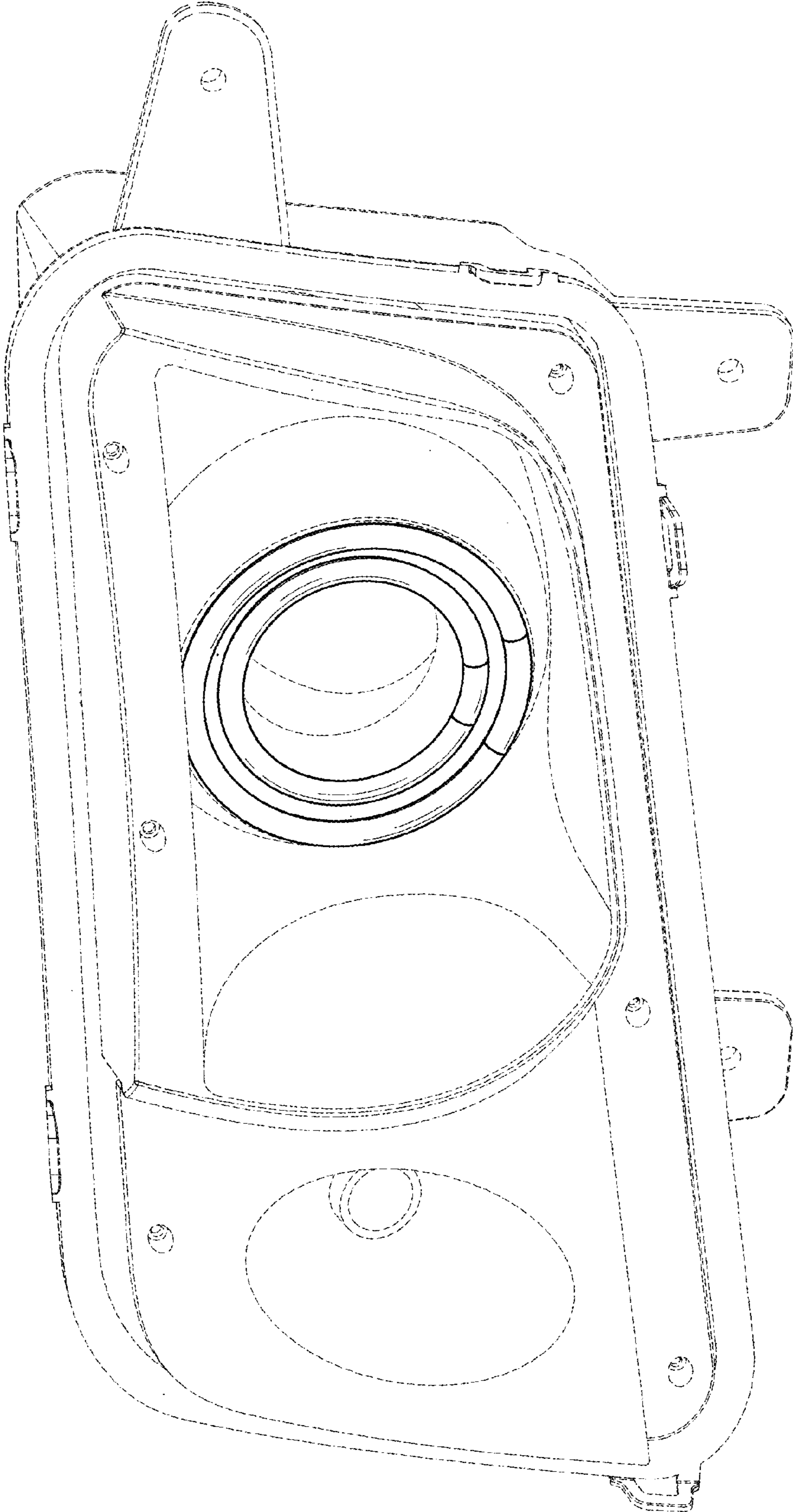


FIG. 8