



US00D681869S

(12) **United States Design Patent**  
**Goelz et al.**

(10) **Patent No.:** **US D681,869 S**  
(45) **Date of Patent:** **\*\* May 7, 2013**

(54) **ADJUSTMENT BAR FOR LIGHTING  
FIXTURE**

(75) Inventors: **David P. Goelz**, Milwaukee, WI (US);  
**Brian Kinnune**, Racine, WI (US); **Alan  
J. Ruud**, Racine, WI (US); **Robert D.  
Giese**, Kenosha, WI (US)

(73) Assignee: **Ruud Lighting, Inc.**, Racine, WI (US)

(\*\*) Term: **14 Years**

(21) Appl. No.: **29/409,439**

(22) Filed: **Dec. 22, 2011**

(51) **LOC (9) Cl.** ..... **26-99**

(52) **U.S. Cl.**  
USPC ..... **D26/138**

(58) **Field of Classification Search** ..... D26/142,  
D26/118, 119, 113, 128, 129, 140, 141, 136,  
D26/135, 145, 155, 154, 130, 63, 62, 64,  
D26/65, 66, 67, 68, 69, 1, 2, 3, 88, 89, 24,  
D26/25, 26, 72, 74, 75, 76, 78, 77, 82, 84,  
D26/85, 93, 123, 124, 125; D13/179, 180;  
362/393, 145, 396, 194, 195, 196, 362, 326,  
362/149, 147, 146, 148, 234, 249.01-249.12,  
362/294, 295, 373

See application file for complete search history.

(56) **References Cited**

U.S. PATENT DOCUMENTS

D155,488 S \* 10/1949 Crockett ..... D26/60  
4,228,489 A \* 10/1980 Martin ..... 362/249.01  
4,931,917 A \* 6/1990 Scherf et al. .... 362/371  
D319,702 S \* 9/1991 Kane ..... D26/63  
D354,558 S \* 1/1995 Marvin et al. .... D23/411  
D355,722 S \* 2/1995 Roos et al. .... D26/63  
5,398,177 A \* 3/1995 Harwood ..... 362/270

7,063,451 B2 \* 6/2006 Shen ..... 362/648  
D543,657 S \* 5/2007 Lehman ..... D26/138  
D550,885 S \* 9/2007 Crosby ..... D26/76  
D580,082 S \* 11/2008 Zemar ..... D26/63  
D581,080 S \* 11/2008 Mier-Langner ..... D26/72  
D600,400 S \* 9/2009 Friedman ..... D26/138  
D619,291 S \* 7/2010 Thevenot ..... D26/75  
D638,566 S \* 5/2011 Goelz et al. .... D26/75

\* cited by examiner

*Primary Examiner* — Kevin Rudzinski

(74) *Attorney, Agent, or Firm* — Janson Munger McKinley  
& Shape Ltd.

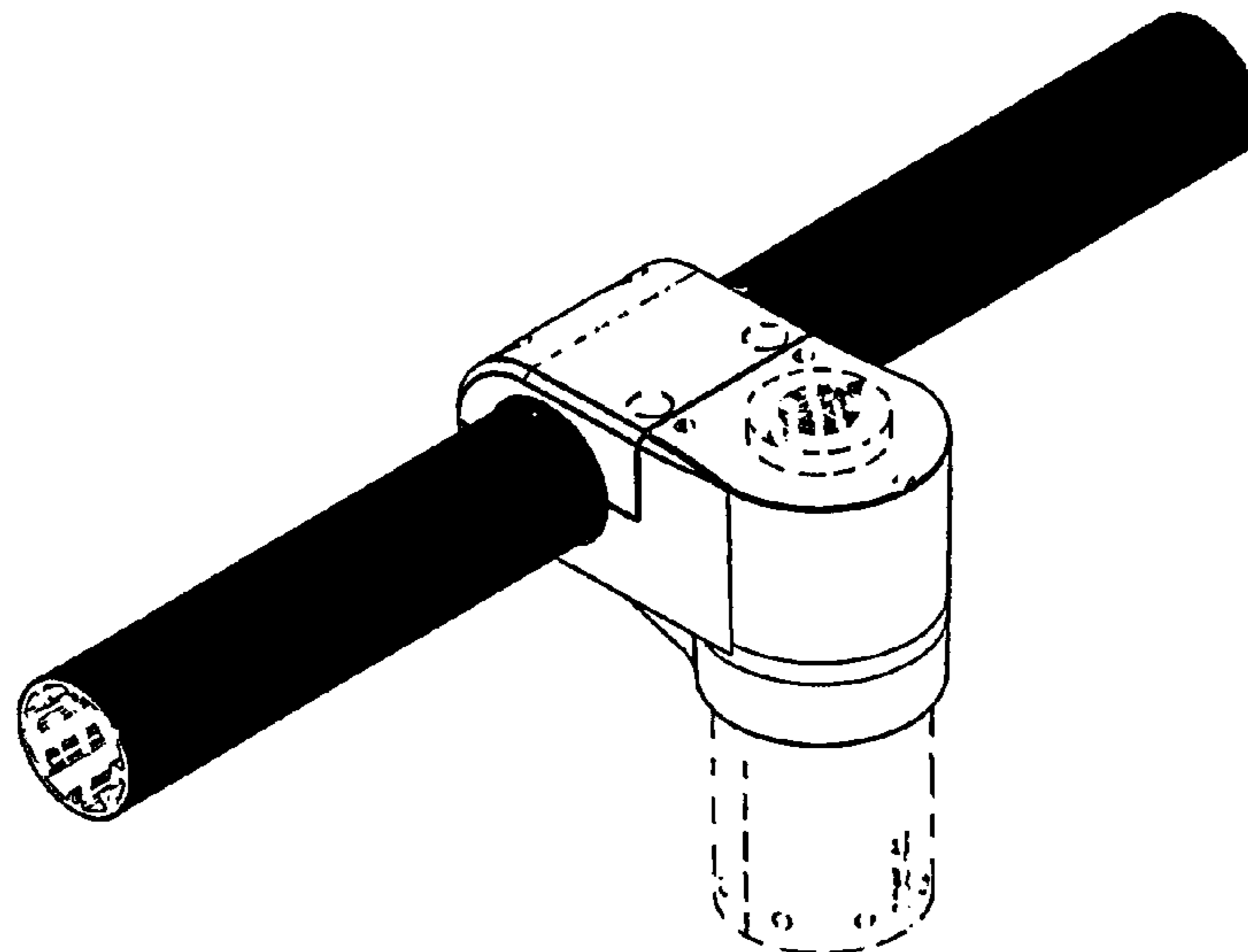
(57) **CLAIM**

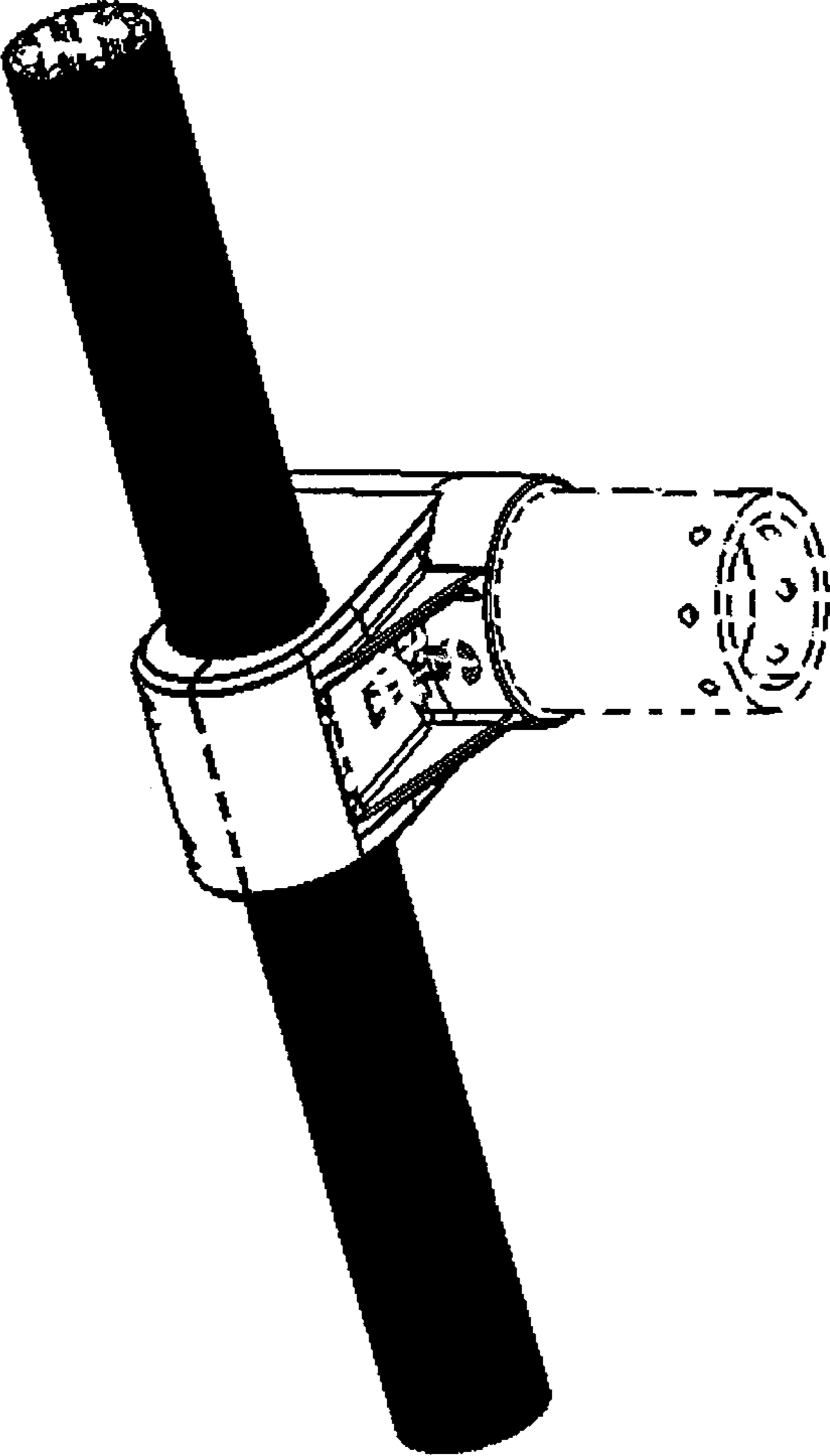
The ornamental design for an adjustment bar for lighting  
fixture, as shown and described.

**DESCRIPTION**

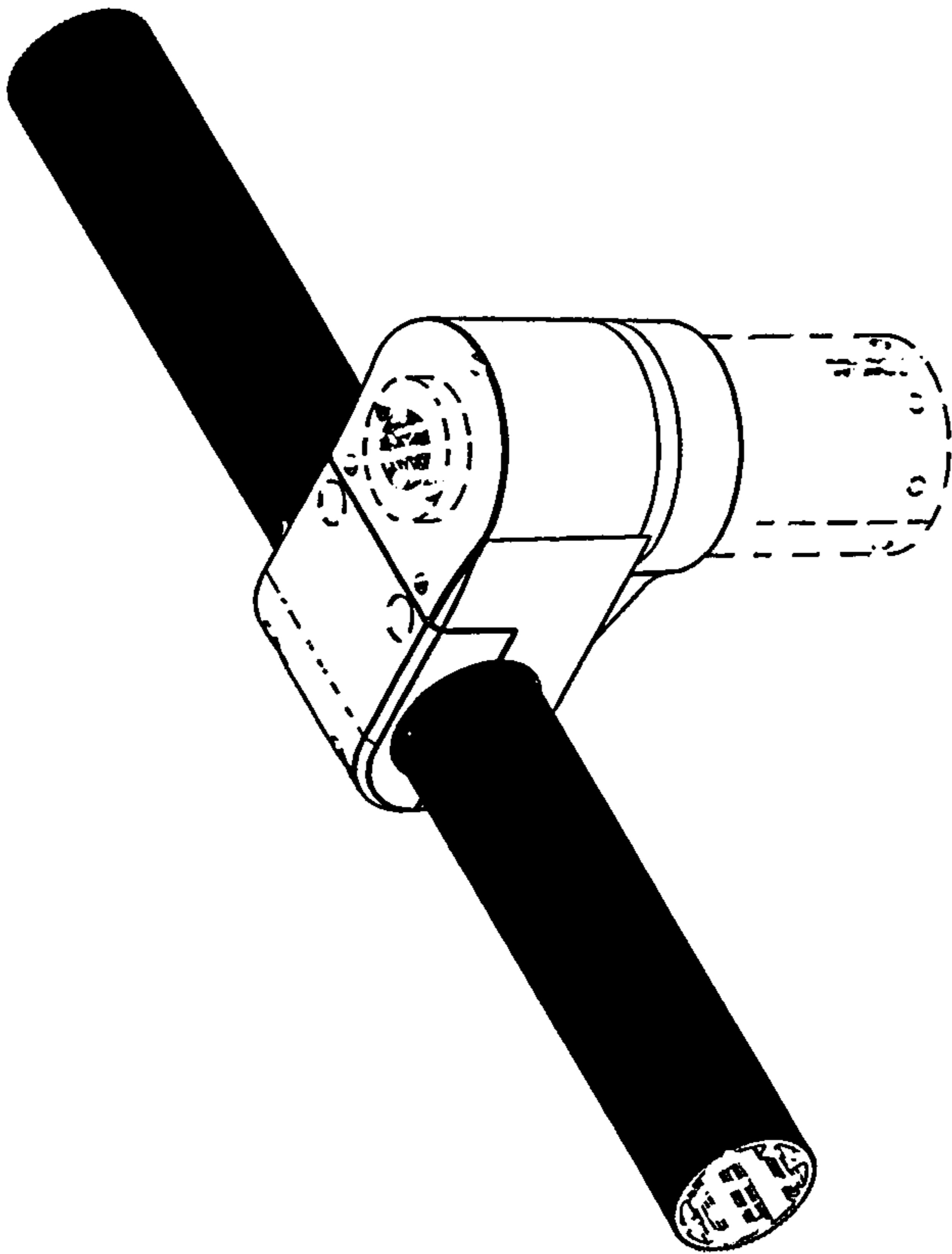
FIG. 1 is a front perspective view from below of the adjust-  
ment bar for lighting fixture, the bottom mounting portion  
being shown in broken lines;  
FIG. 2 is a back perspective view from above of the adjust-  
ment bar for lighting fixture of FIG. 1;  
FIG. 3 is a right-side elevation of the adjustment bar for  
lighting fixture of FIG. 1, the left-side elevation view being a  
mirror image thereof;  
FIG. 4 is a bottom plan view of the adjustment bar for lighting  
fixture of FIG. 1;  
FIG. 5 is a top plan view of the adjustment bar for lighting  
fixture of FIG. 1;  
FIG. 6 is a front elevation of the adjustment bar for lighting  
fixture of FIG. 1; and,  
FIG. 7 is a rear elevation of the adjustment bar for lighting  
fixture of FIG. 1.  
The broken lines illustrating portions of the adjustment bar  
for lighting fixture form no part of the claimed design.

**1 Claim, 7 Drawing Sheets**

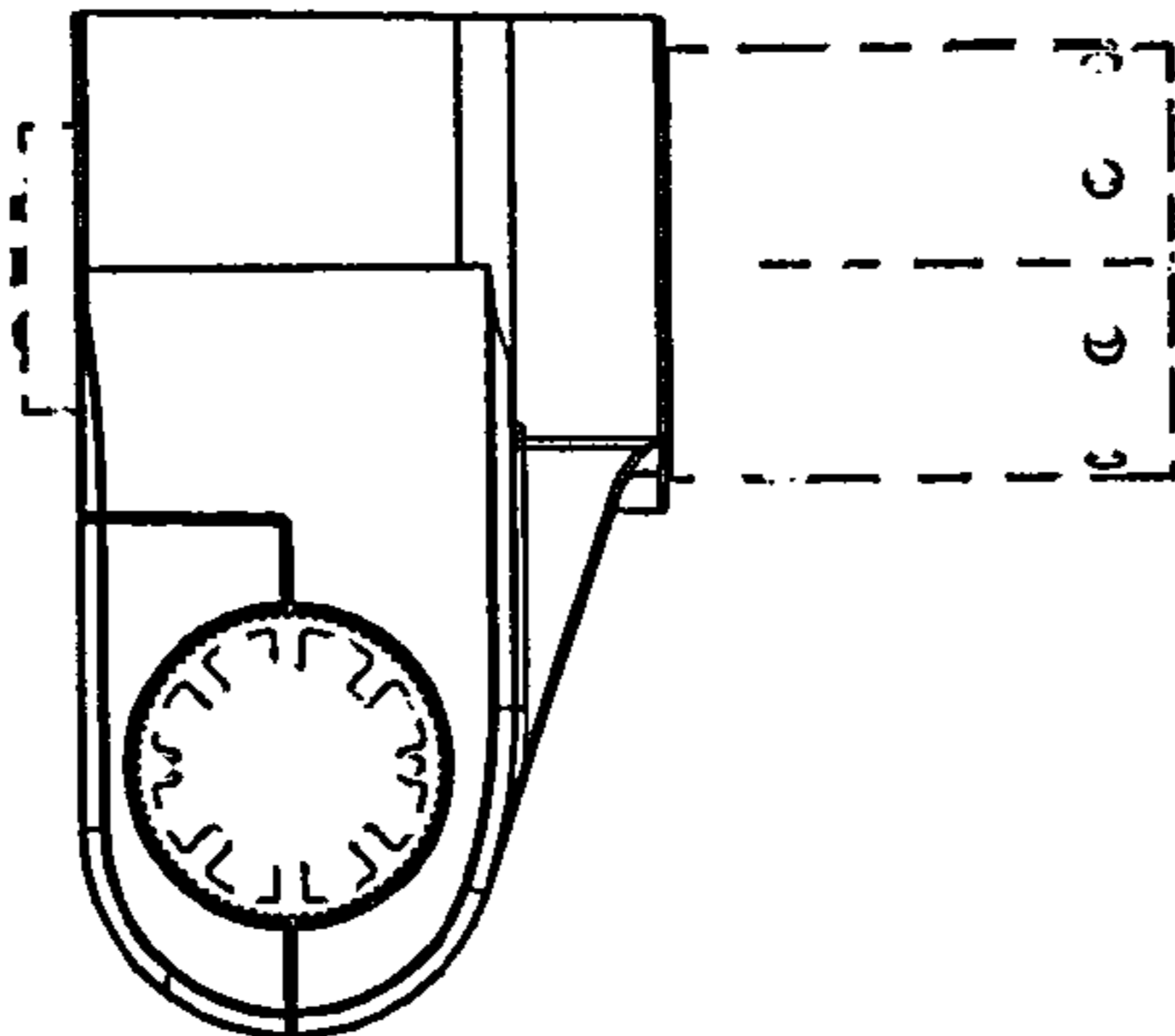




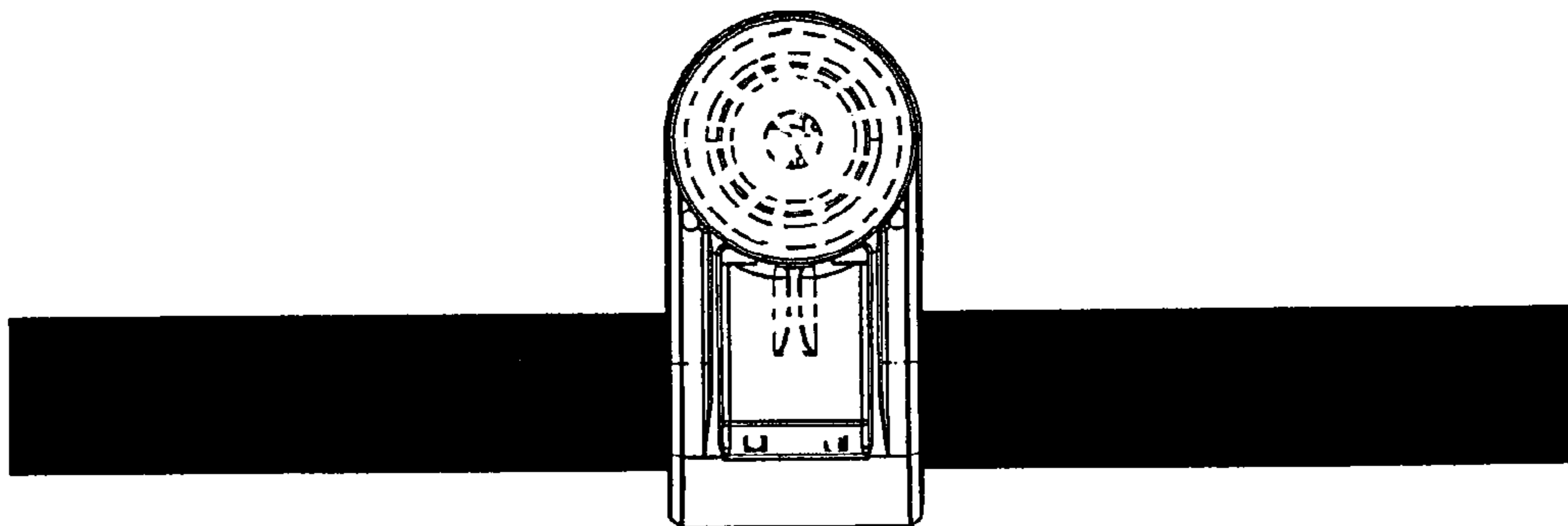
*FIG. 1*



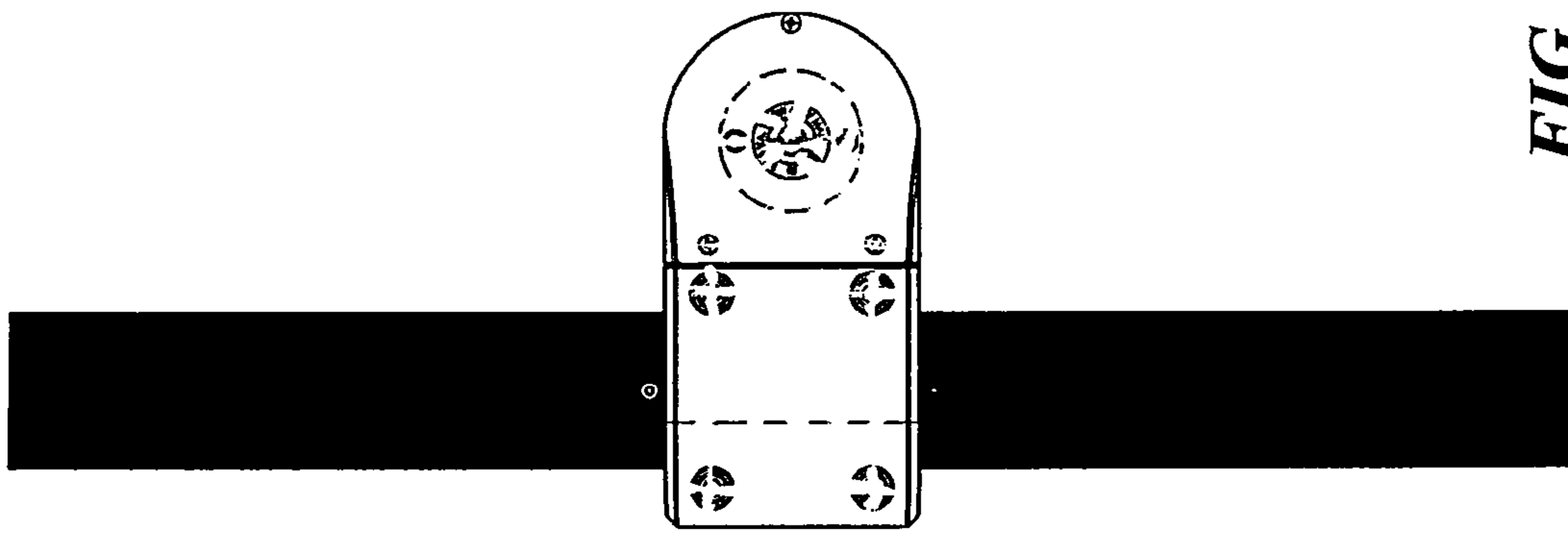
*FIG. 2*



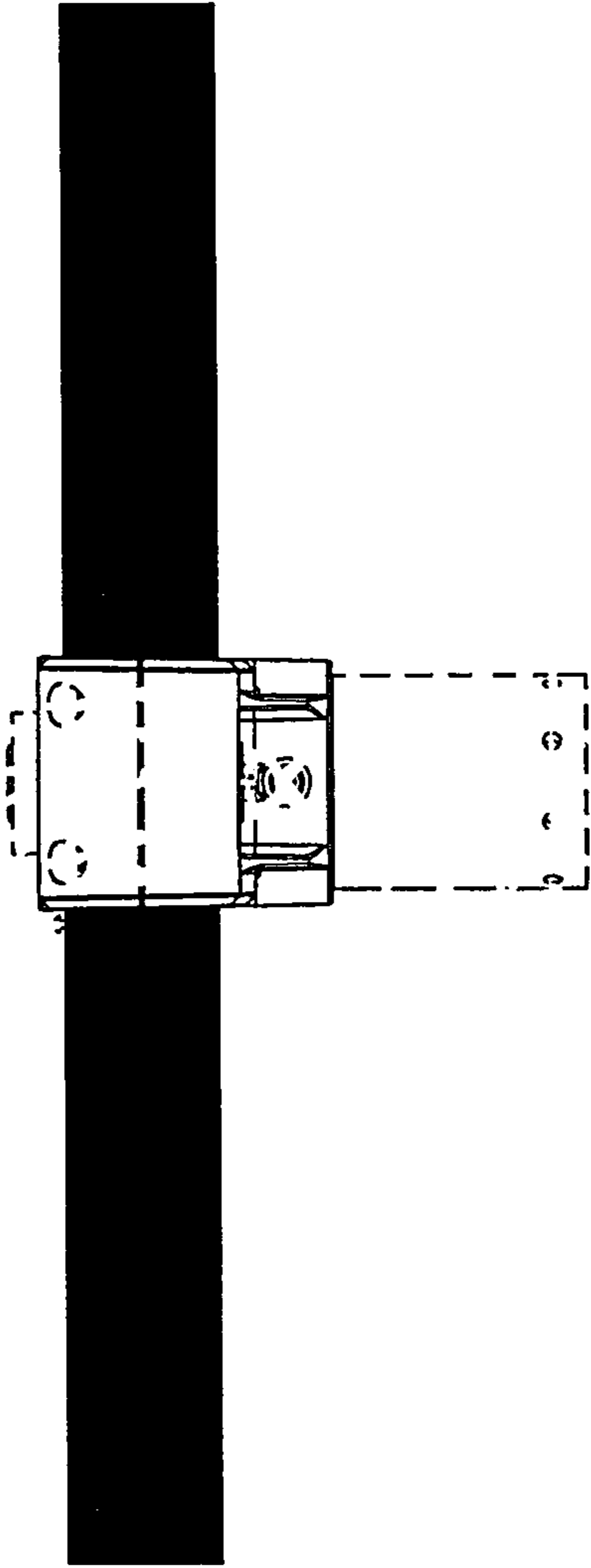
**FIG. 3**



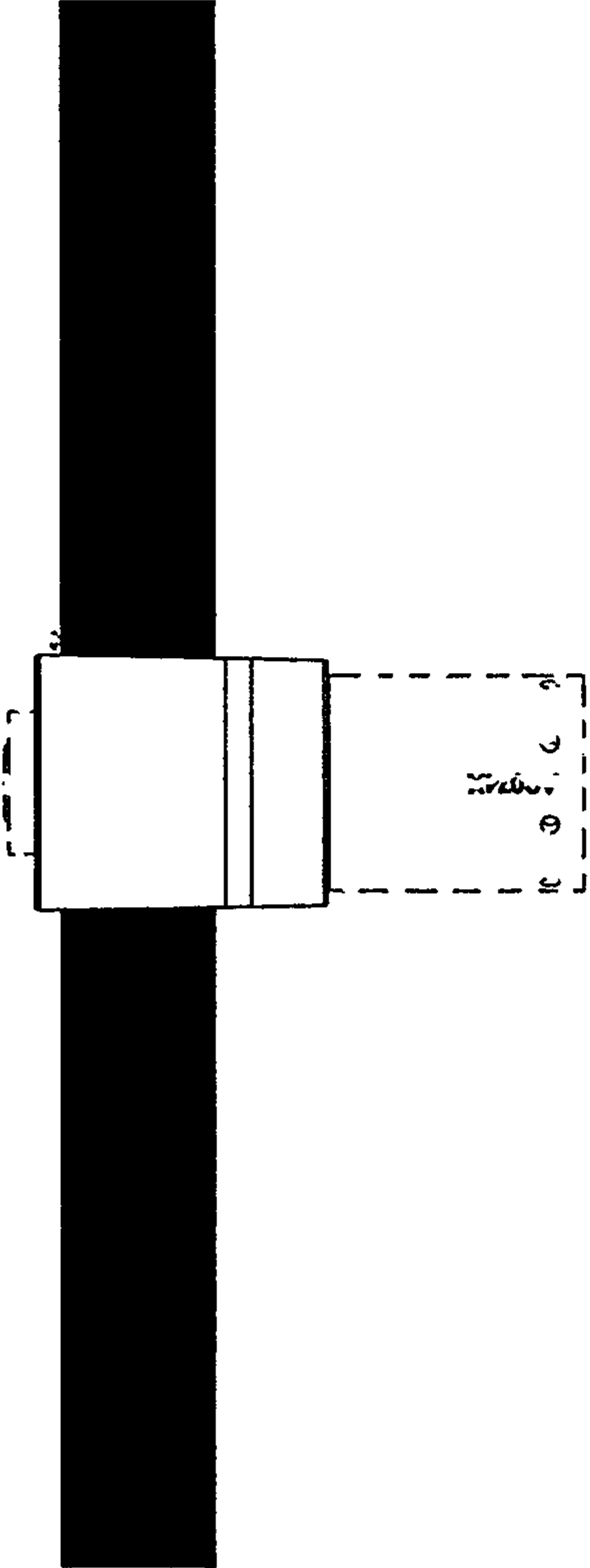
*FIG. 4*



*FIG. 5*



*FIG. 6*



**FIG. 7**