



US00D681867S

(12) **United States Design Patent**  
**Wegger et al.**

(10) **Patent No.:** **US D681,867 S**  
(45) **Date of Patent:** **\*\* May 7, 2013**

- (54) **SUSPENDED LUMINAIRE**
- (75) Inventors: **Emil Wegger**, Viby J (DK); **Markus J. Mayer**, Munich (DE); **Fabio Reyes**, Silkeborg (DK); **Claus Jepsen**, Horsens (DK); **Nick Ross**, San Francisco, CA (US)
- (73) Assignee: **GE Lighting Solutions, LLC**, Cleveland, OH (US)
- (\*\*) Term: **14 Years**
- (21) Appl. No.: **29/387,368**
- (22) Filed: **Mar. 11, 2011**
- (51) **LOC (9) Cl.** ..... **26-99**
- (52) **U.S. Cl.**  
USPC ..... **D26/124**
- (58) **Field of Classification Search** ..... D26/1,  
D26/2, 118, 113, 138, 119, 120, 121, 122,  
D26/76, 77, 75, 78, 85, 86, 89, 90, 62, 64,  
D26/65, 66, 63, 73, 72, 74, 68, 71, 28, 123,  
D26/124, 127, 128, 129, 134, 135, 132, 139,  
D26/154, 155, 152, 149, 148, 145, 143, 142,  
D26/140, 141, 153, 144, 91, 92, 29, 24, 25,  
D26/26, 8, 114, 37, 87; 362/202, 347, 349,  
362/362, 419, 96, 192, 145, 294, 326, 267,  
362/373, 249.01–249.12; D13/102, 179,  
D13/180

See application file for complete search history.

(56) **References Cited**

**U.S. PATENT DOCUMENTS**

D115,970 S *	8/1939	Stewart	.....	D26/124
D331,638 S *	12/1992	Vamberszky et al.	.....	D26/118
D371,276 S *	7/1996	Laib	.....	D7/388
D417,027 S *	11/1999	Cece	.....	D26/74
D453,521 S *	2/2002	Haruna et al.	.....	D14/478

D468,051 S *	12/2002	Gaskins et al.	.....	D26/123
D489,578 S *	5/2004	Lai	.....	D7/624.1
D493,907 S *	8/2004	Benensohn	.....	D26/89
7,063,441 B2 *	6/2006	Kramer et al.	.....	362/240
D580,184 S *	11/2008	Svendsen et al.	.....	D6/309
D581,089 S *	11/2008	St-Hilaire	.....	D26/118
D592,778 S *	5/2009	Chang	.....	D26/28
D598,401 S *	8/2009	Takada et al.	.....	D13/182
D601,281 S *	9/2009	Howard et al.	.....	D26/26
7,588,358 B1 *	9/2009	Condon	.....	362/522
D601,744 S *	10/2009	Sakuma	.....	D26/89
D604,955 S *	12/2009	Kuo	.....	D6/309
D617,485 S *	6/2010	Hamilton et al.	.....	D26/67
D620,191 S *	7/2010	Feigenbaum	.....	D26/142
D622,876 S *	8/2010	Takahashi et al.	.....	D26/1
D628,737 S *	12/2010	van den Akker	.....	D26/89
D633,644 S *	3/2011	Sprengers	.....	D26/89
D639,496 S *	6/2011	Wada et al.	.....	D26/120
D640,823 S *	6/2011	Hokazono et al.	.....	D26/89
D641,520 S *	7/2011	Grajcar	.....	D26/152
D648,471 S *	11/2011	Wauters	.....	D26/63
D650,760 S *	12/2011	Hussell et al.	.....	D13/180
D655,849 S *	3/2012	Sabernig	.....	D26/85
D655,850 S *	3/2012	Sabernig	.....	D26/85

(Continued)

*Primary Examiner* — Kevin Rudzinski

(74) *Attorney, Agent, or Firm* — Fay Sharpe LLP

(57) **CLAIM**

The ornamental design for a suspended luminaire, as shown and described.

**DESCRIPTION**

FIG. 1 is a top surface perspective view of a suspended luminaire;

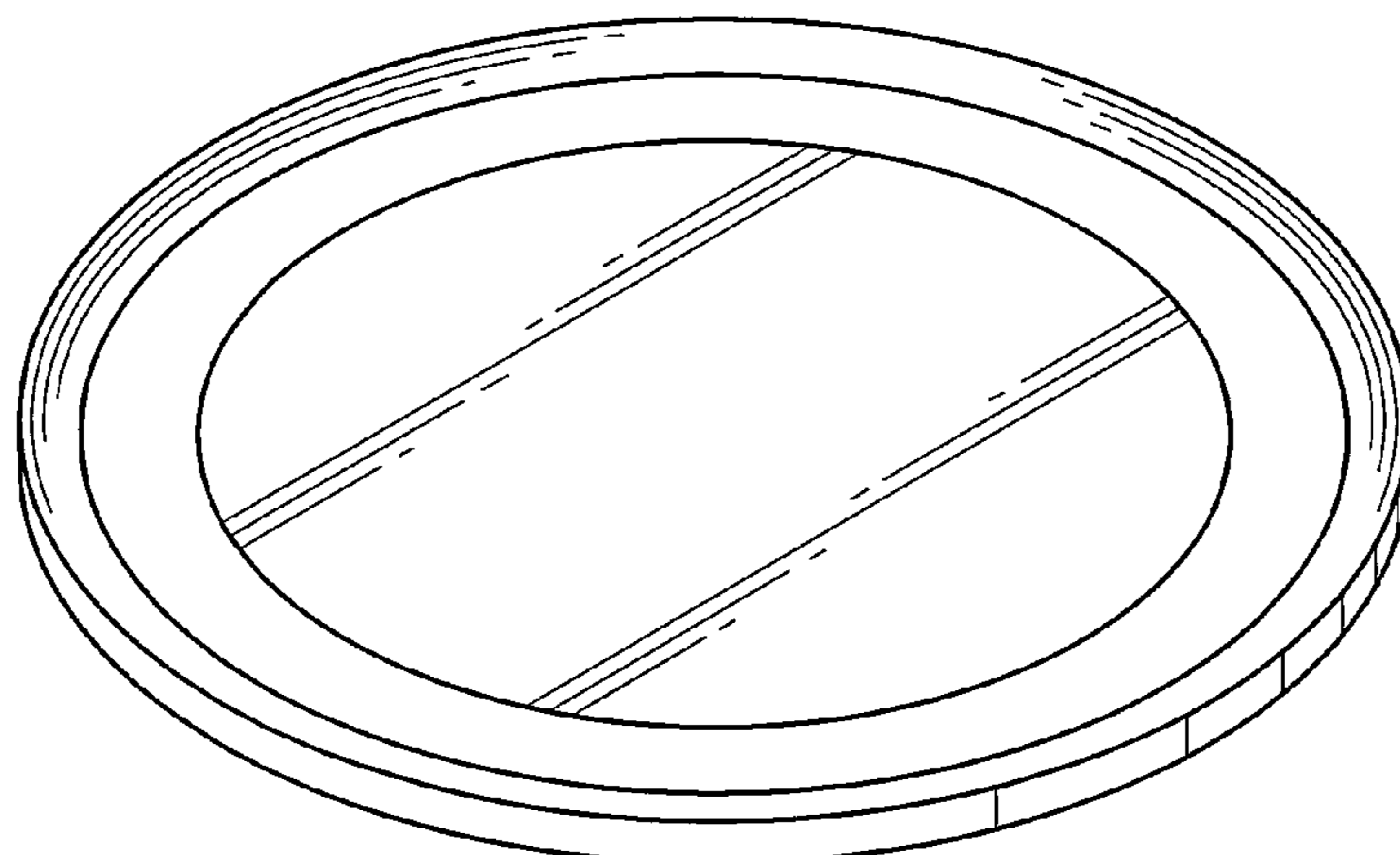
FIG. 2 is a front plan view thereof;

FIG. 3 is a side plan view thereof (it is noted that each side view is identical and therefore only one is provided);

FIG. 4 is a rear plan view thereof; and,

FIG. 5 is a rear surface perspective view thereof.

**1 Claim, 2 Drawing Sheets**



# US D681,867 S

Page 2

---

## U.S. PATENT DOCUMENTS

D656,264 S *	3/2012	Janssen .....	D26/85	D663,880 S *	7/2012	Janssen .....	D26/74
D658,603 S *	5/2012	Egawa et al. ....	D13/180	D663,881 S *	7/2012	Janssen .....	D26/74
D658,604 S *	5/2012	Egawa et al. ....	D13/180	D664,369 S *	7/2012	Duma .....	D6/309
D659,900 S *	5/2012	Yu .....	D26/138	D667,985 S *	9/2012	Gielen .....	D26/89
D662,632 S *	6/2012	Wilson .....	D26/28				

\* cited by examiner

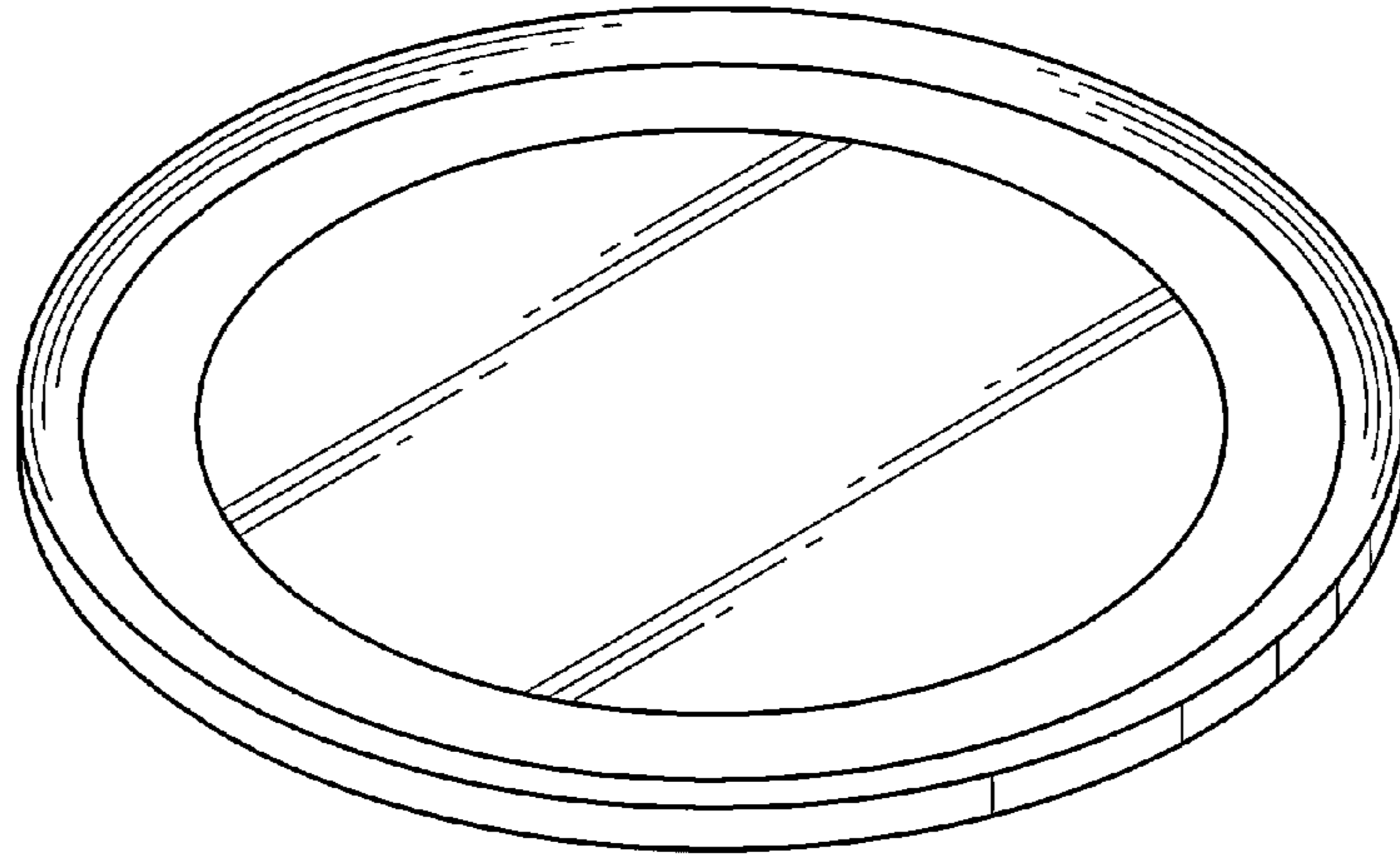


FIG. 1

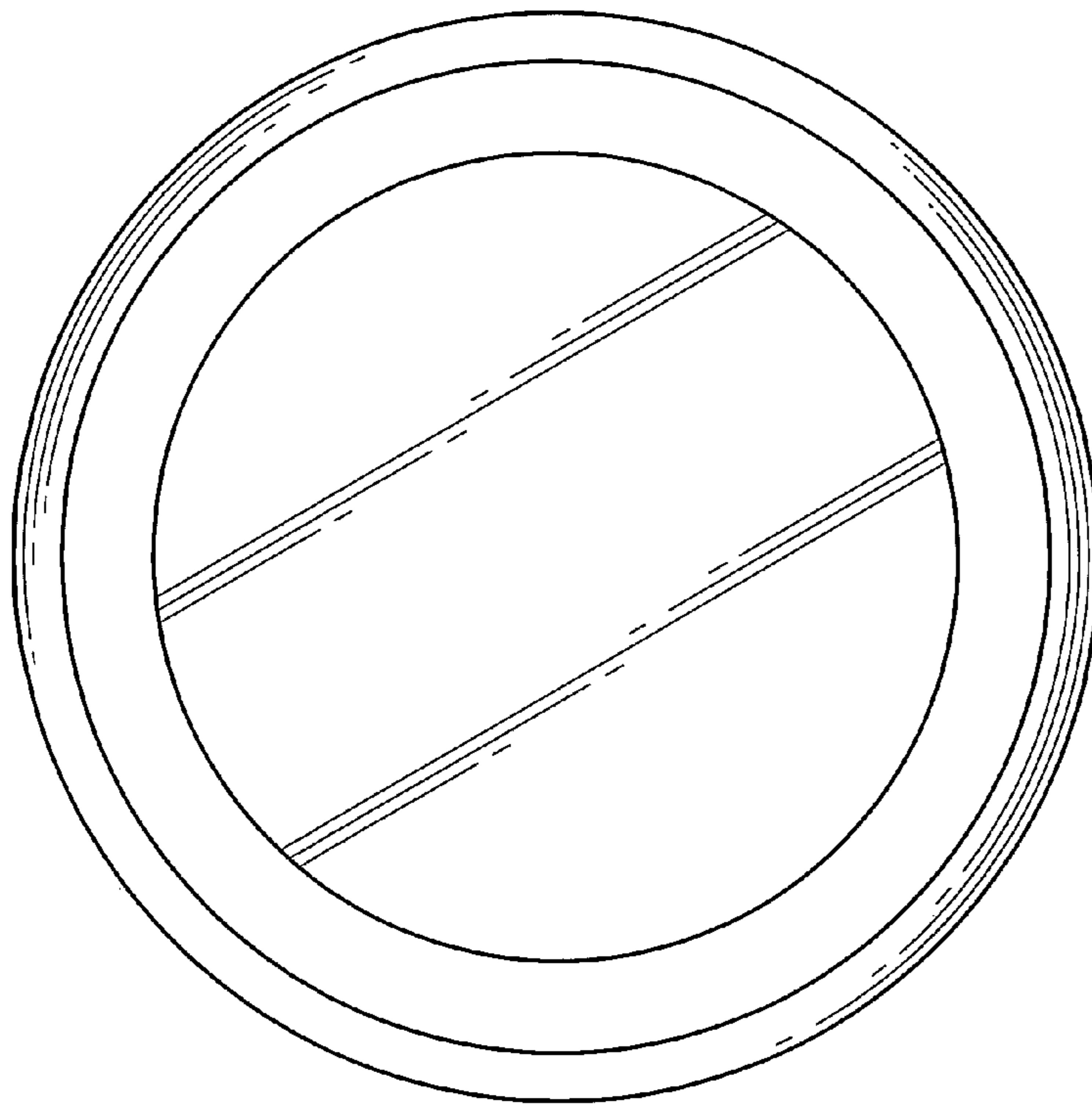


FIG. 2



FIG. 3

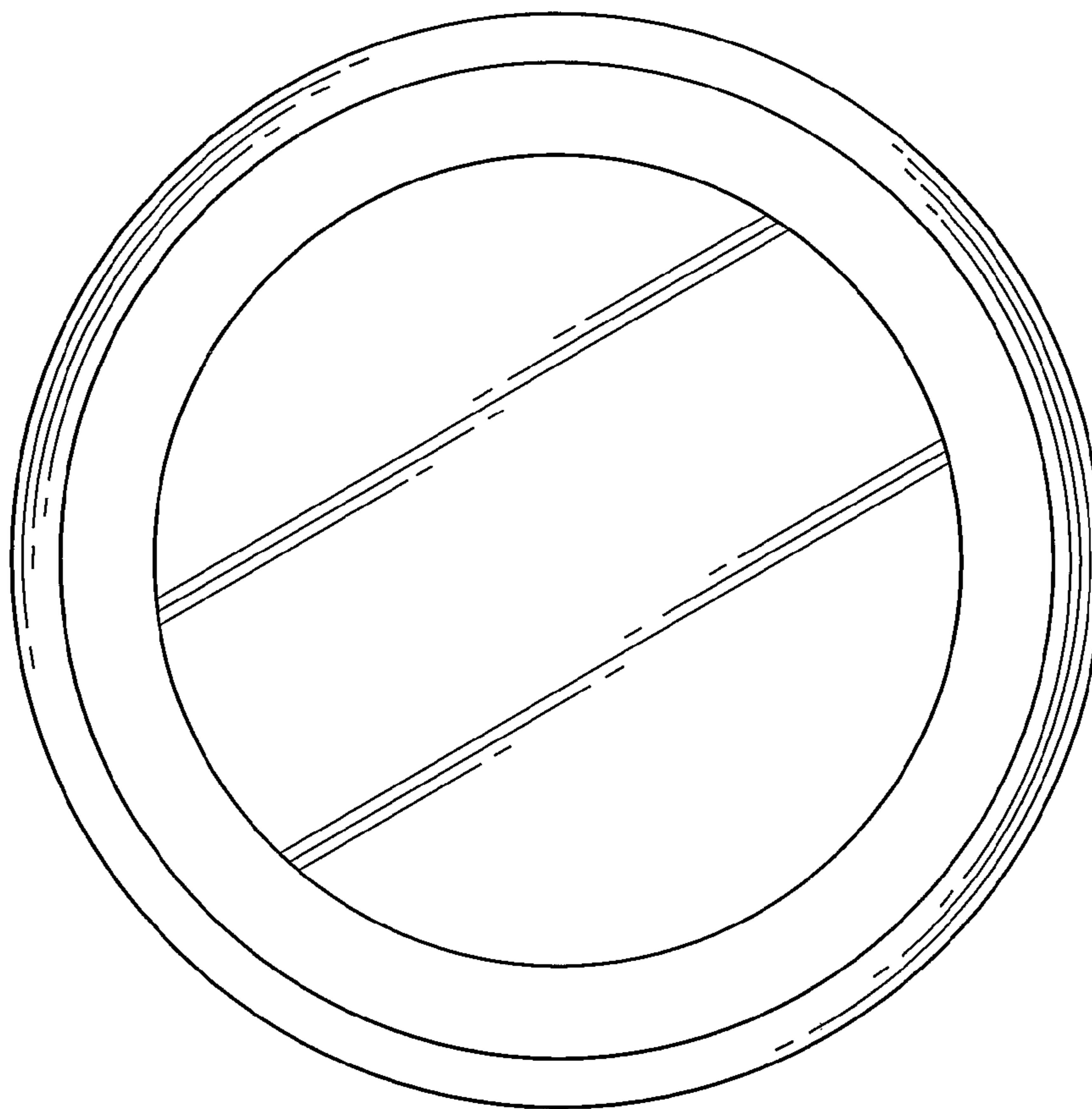


FIG. 4

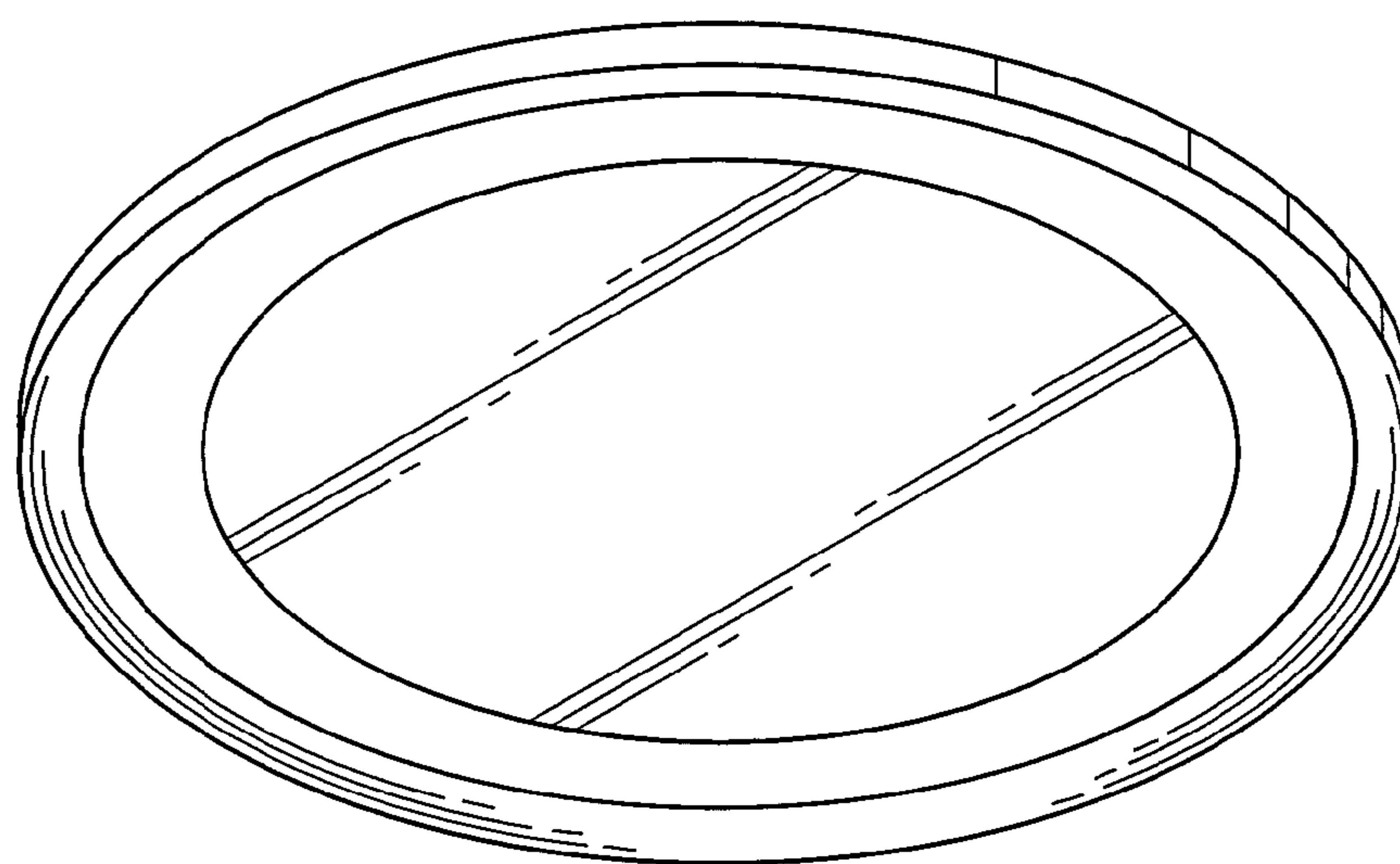


FIG. 5